



US00D720482S

(12) **United States Design Patent**  
**Priego**

(10) **Patent No.:** **US D720,482 S**

(45) **Date of Patent:** **\*\* Dec. 30, 2014**

(54) **COURTESY LIGHT FOR PURSES WITH CLIP**

D646,005 S \* 9/2011 VanderSchuit ..... D26/24  
D658,317 S \* 4/2012 Eberle ..... D26/24  
D690,843 S \* 10/2013 Feigenbaum ..... D26/24

(71) Applicant: **Oscar Priego**, Miami, FL (US)

\* cited by examiner

(72) Inventor: **Oscar Priego**, Miami, FL (US)

*Primary Examiner* — Brian N Vinson

(\*\*) Term: **14 Years**

(74) *Attorney, Agent, or Firm* — Jesus Sanchelima;  
Christian Sanchelima

(21) Appl. No.: **29/480,784**

(22) Filed: **Jan. 29, 2014**

(57) **CLAIM**

(51) **LOC (10) Cl.** ..... **26-03**

The ornamental design for courtesy light for purses with clip,  
as shown and described.

(52) **U.S. Cl.**

USPC ..... **D26/24**

(58) **Field of Classification Search**

USPC ..... D26/1, 24, 72, 74, 80, 83, 85, 86, 89,  
D26/91, 118, 120, 124, 128, 131, 135;  
362/101, 133, 147, 267, 453–456, 507

See application file for complete search history.

**DESCRIPTION**

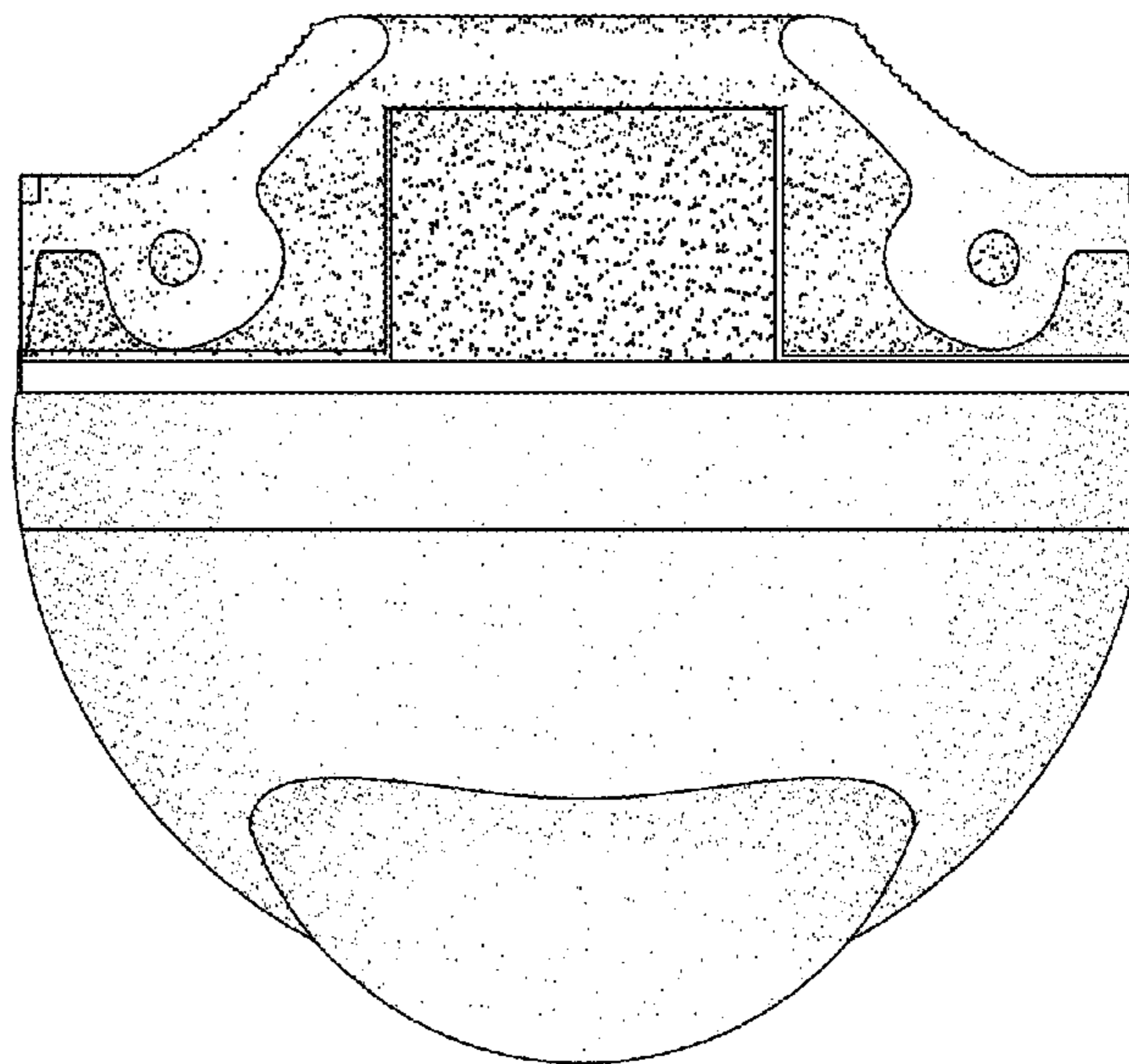
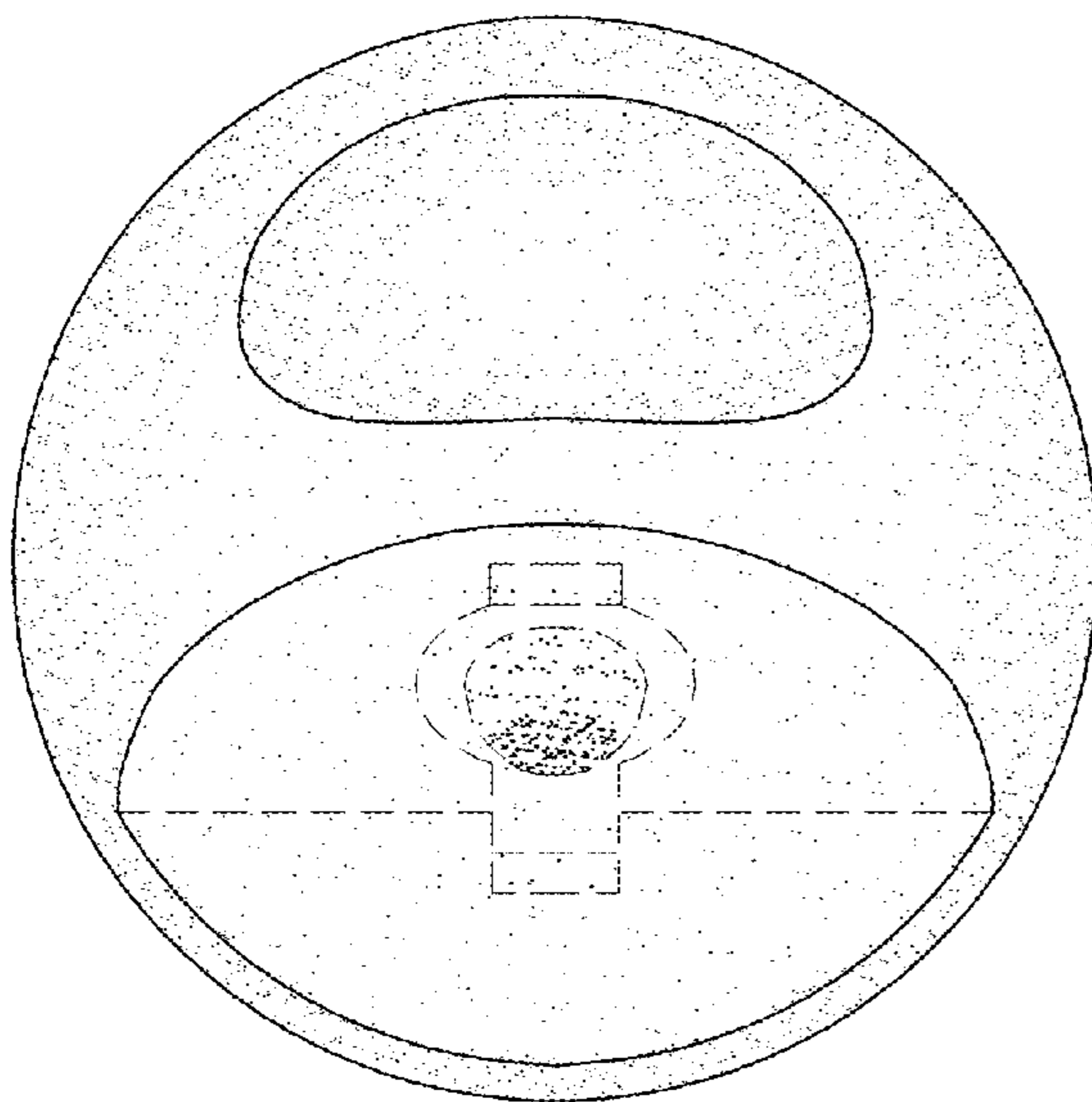
FIG. 1 is a front elevational view thereof;  
FIG. 2 is a rear elevational view thereof;  
FIG. 3 is a top plan view thereof;  
FIG. 4 is a bottom elevational view thereof;  
FIG. 5 is a left side elevational view thereof; and,  
FIG. 6 is a right elevational view thereof.  
The broken lines represent a portion of the courtesy light  
which forms no part of the claimed design.

(56) **References Cited**

**U.S. PATENT DOCUMENTS**

D395,715 S \* 6/1998 Queen ..... D26/24  
D536,111 S \* 1/2007 Li et al. .... D26/24

**1 Claim, 3 Drawing Sheets**



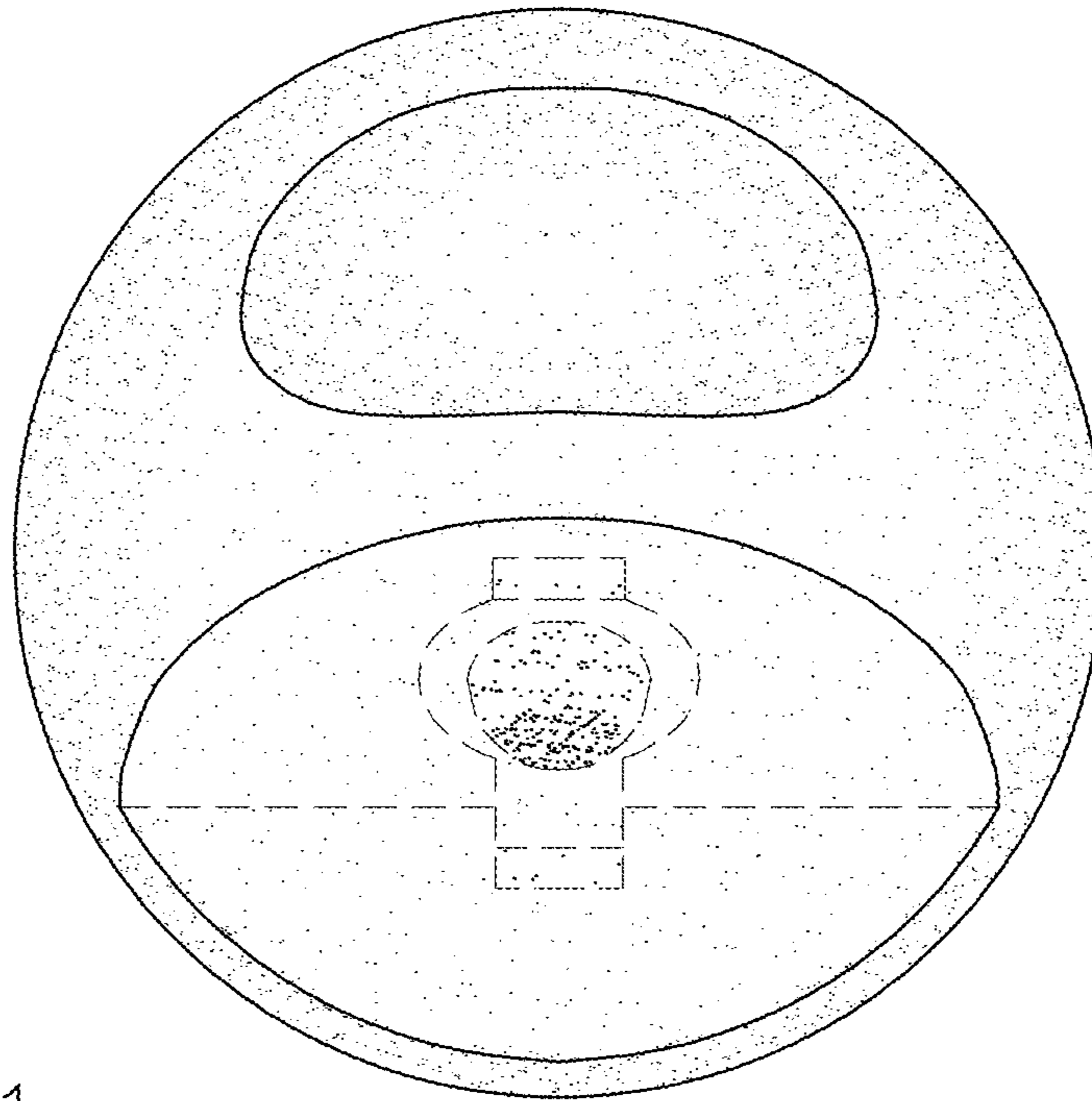


FIG. 1

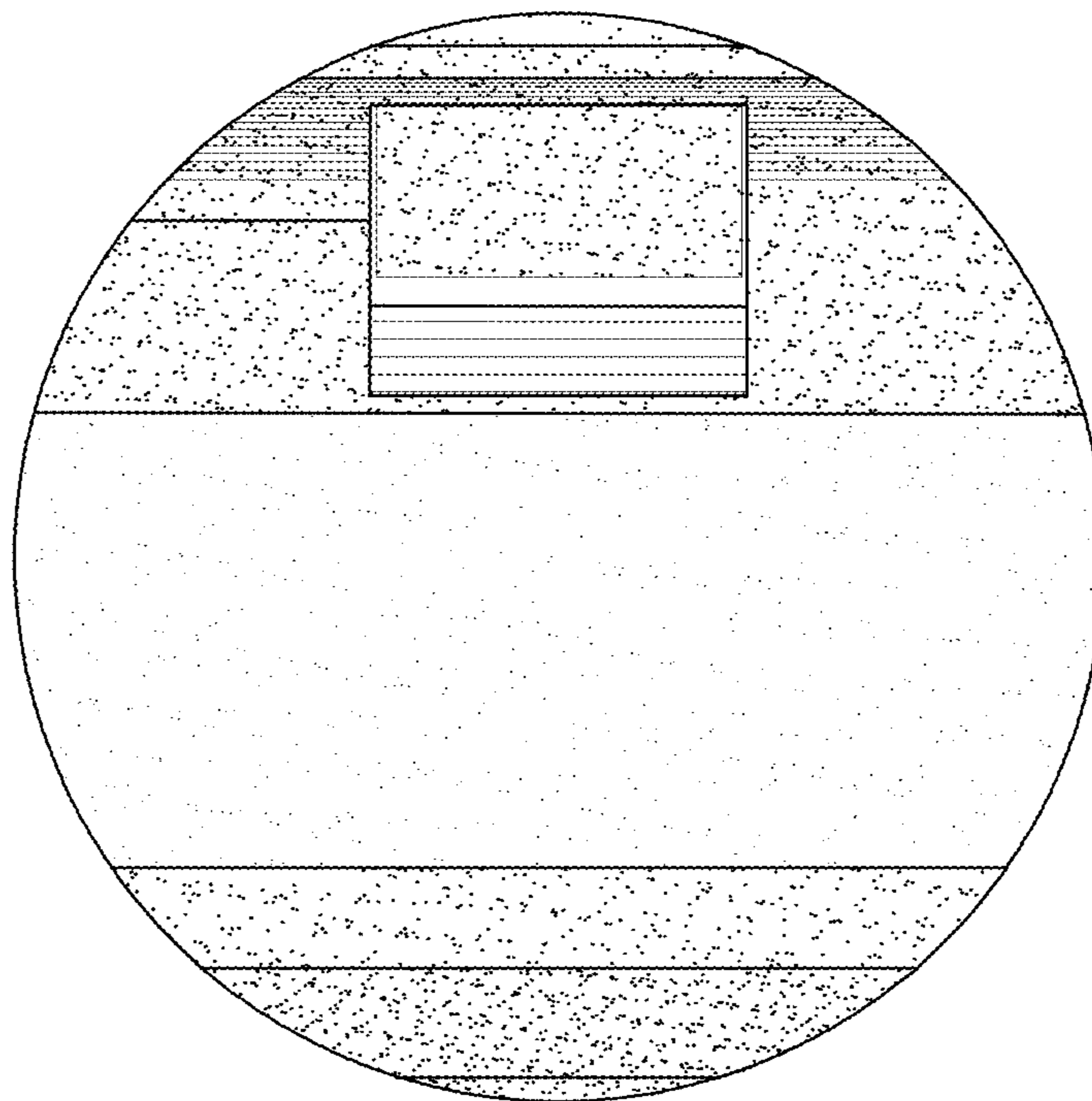


FIG. 2

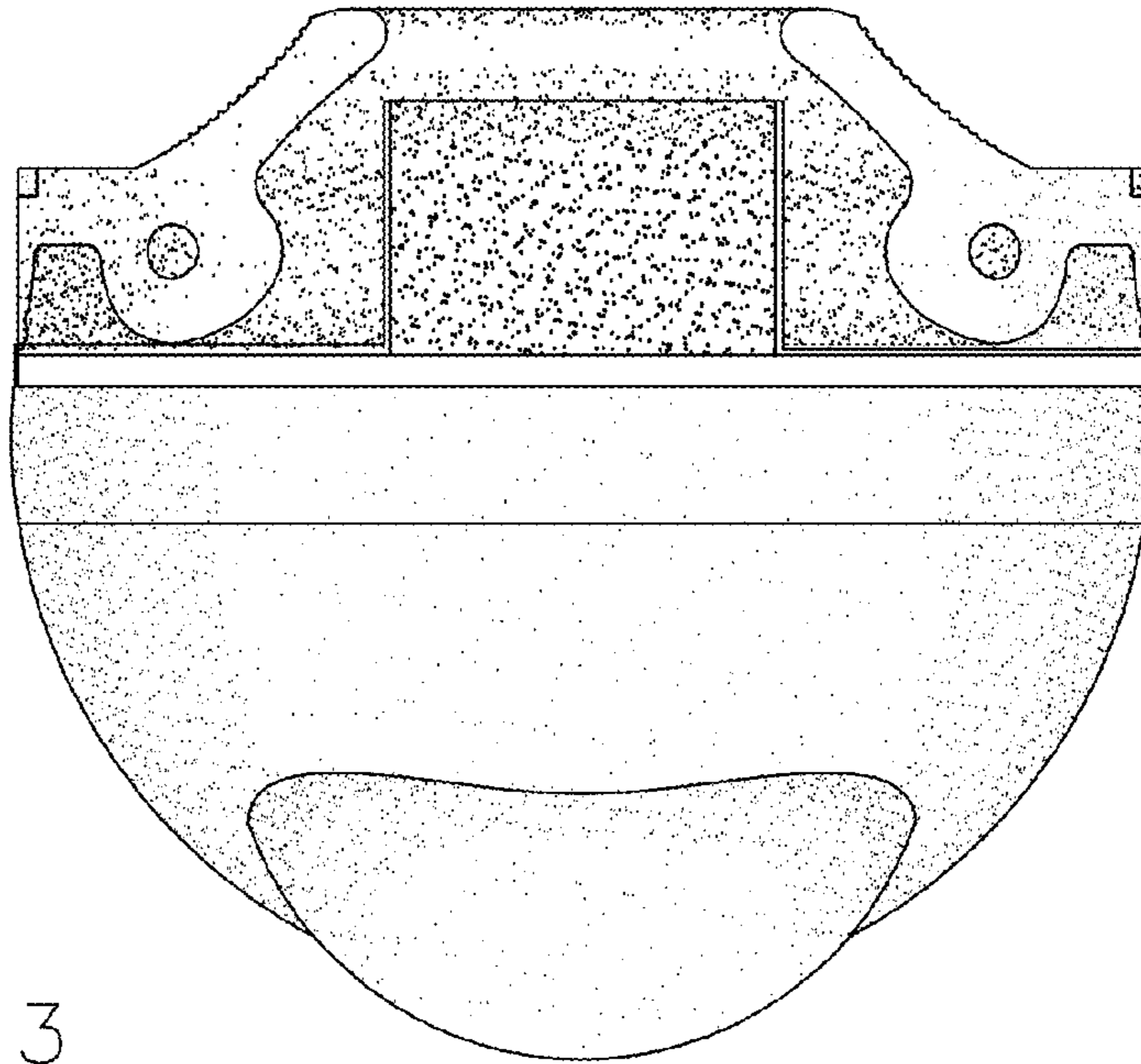


FIG. 3

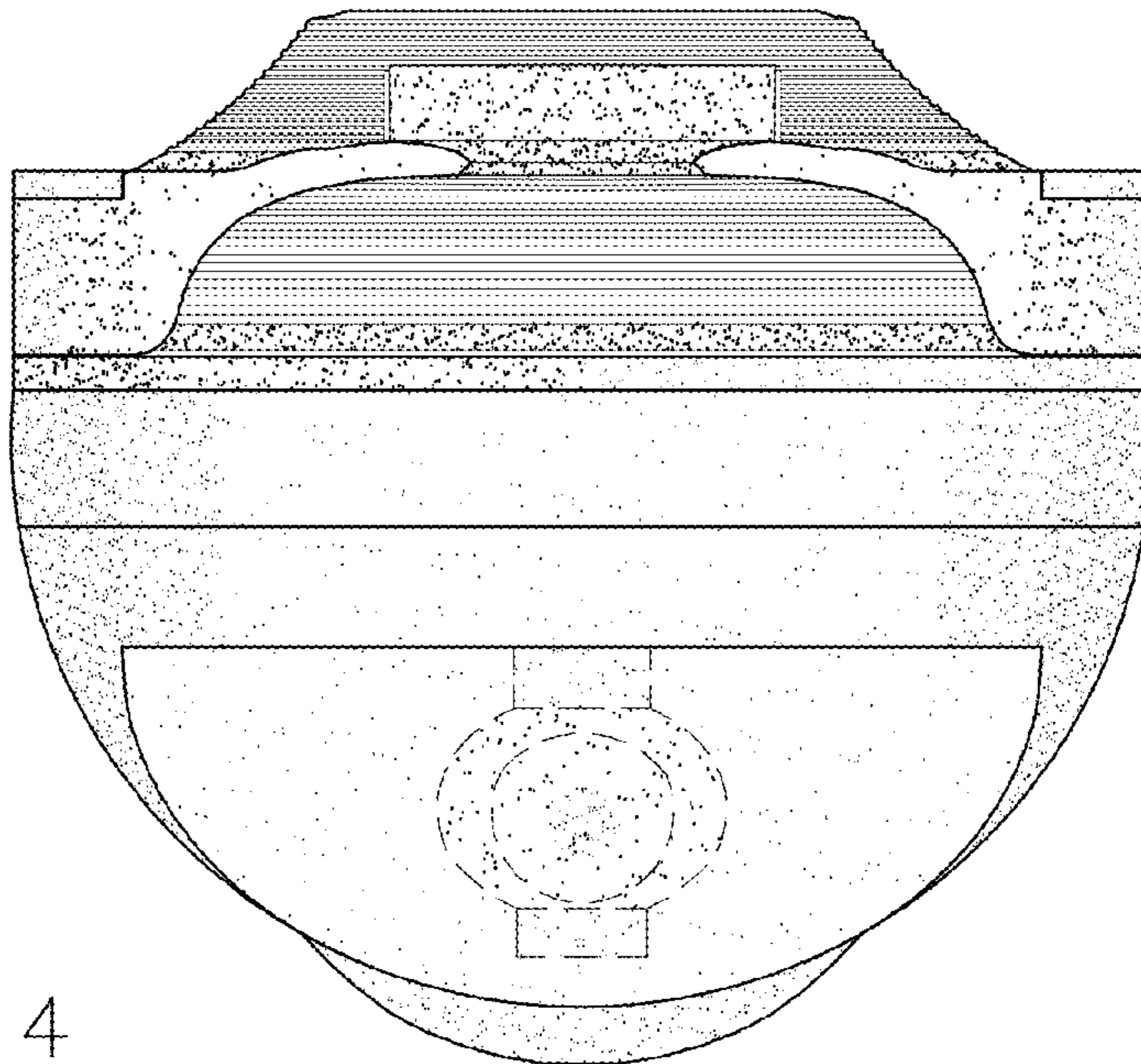


FIG. 4

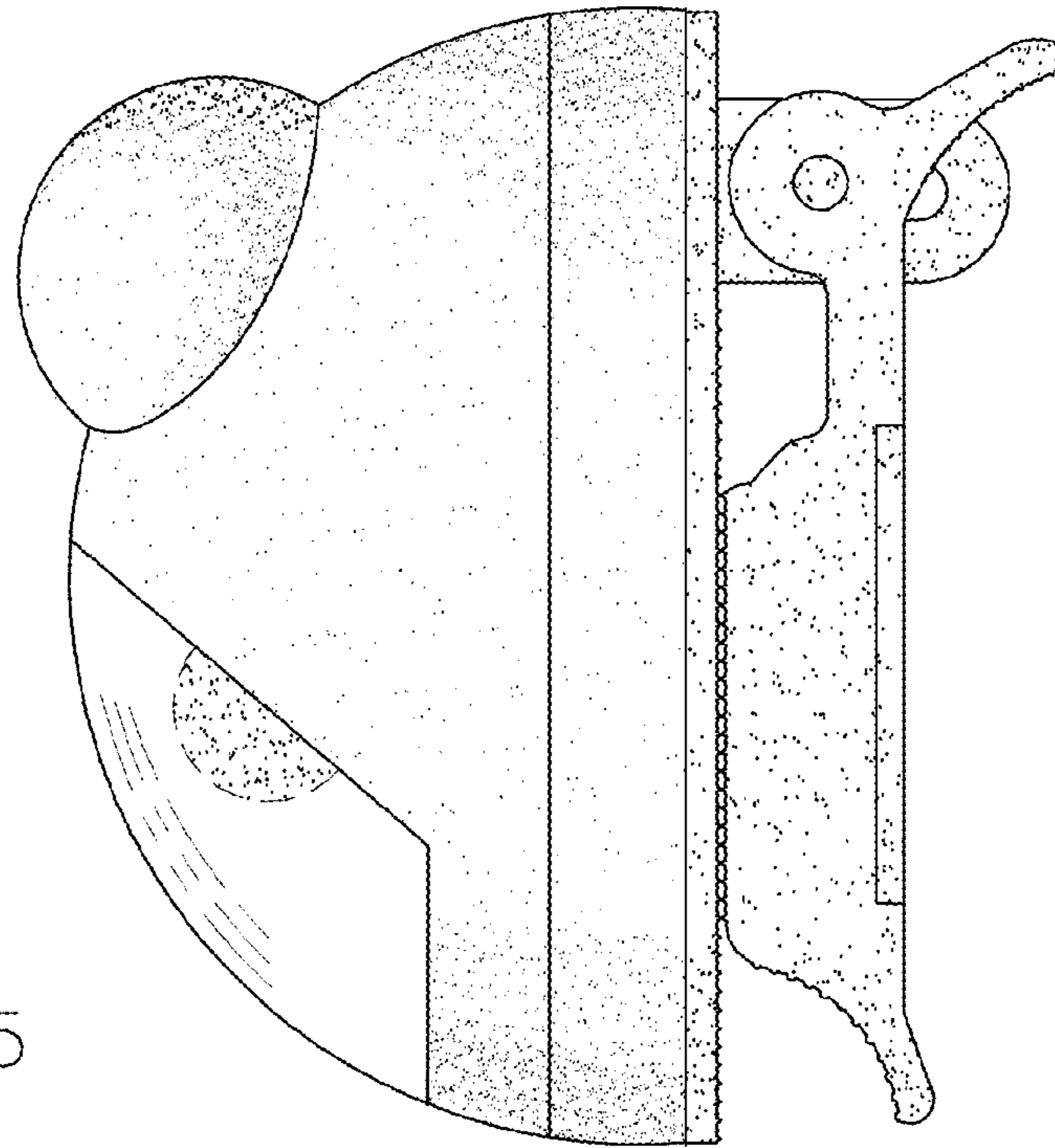


FIG. 5

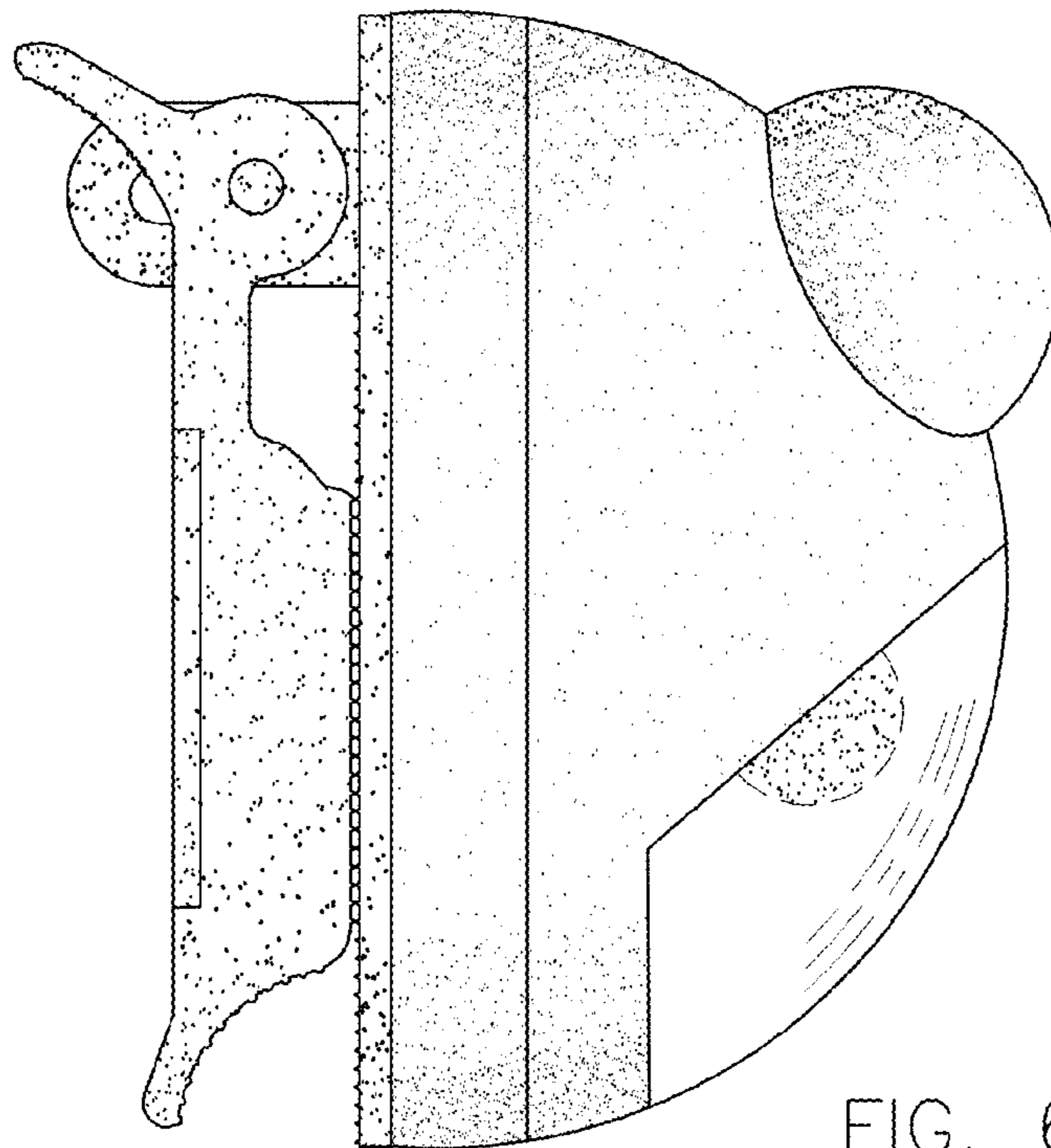


FIG. 6