



US00D720481S

(12) **United States Design Patent**
Demshki, Jr. et al.

(10) **Patent No.:** **US D720,481 S**

(45) **Date of Patent:** **** Dec. 30, 2014**

(54) **LIGHT HEAD**

(71) Applicants: **Robert John Demshki, Jr.**, Huntington Beach, CA (US); **Jonathan Spicer**, Lakewood, CA (US); **Kevin Brian Eidsvold**, Orange, CA (US)

(72) Inventors: **Robert John Demshki, Jr.**, Huntington Beach, CA (US); **Jonathan Spicer**, Lakewood, CA (US); **Kevin Brian Eidsvold**, Orange, CA (US)

(73) Assignee: **Intense Lighting, LLC**, Anaheim, CA (US)

(**) Term: **14 Years**

(21) Appl. No.: **29/434,476**

(22) Filed: **Oct. 12, 2012**

(51) **LOC (10) Cl.** **26-05**

(52) **U.S. Cl.**
USPC **D26/24**

(58) **Field of Classification Search**
USPC D26/60–66, 24, 72, 81, 83–85, 87–92, D26/118; 362/647, 648, 371–373, 264, 145, 362/147, 148, 271, 289, 31.13, 319, 404, 362/408, 430, 432, 213, 215, 269, 270, 362/280–285, 287, 288, 419, 427

See application file for complete search history.

(56) **References Cited**

U.S. PATENT DOCUMENTS

D258,314 S *	2/1981	Leon	D26/63
D291,925 S *	9/1987	Dacanay	D26/61
D326,331 S *	5/1992	Riccadelli	D26/63
D330,944 S *	11/1992	Wereley	D26/63
D331,294 S *	11/1992	Wereley	D26/63
D348,744 S *	7/1994	Johnson et al.	D26/63
D552,779 S *	10/2007	Starck	D26/63
D648,479 S *	11/2011	Herman	D26/118

* cited by examiner

Primary Examiner — Brian N Vinson

(74) *Attorney, Agent, or Firm* — Weide & Miller, Ltd.

(57) **CLAIM**

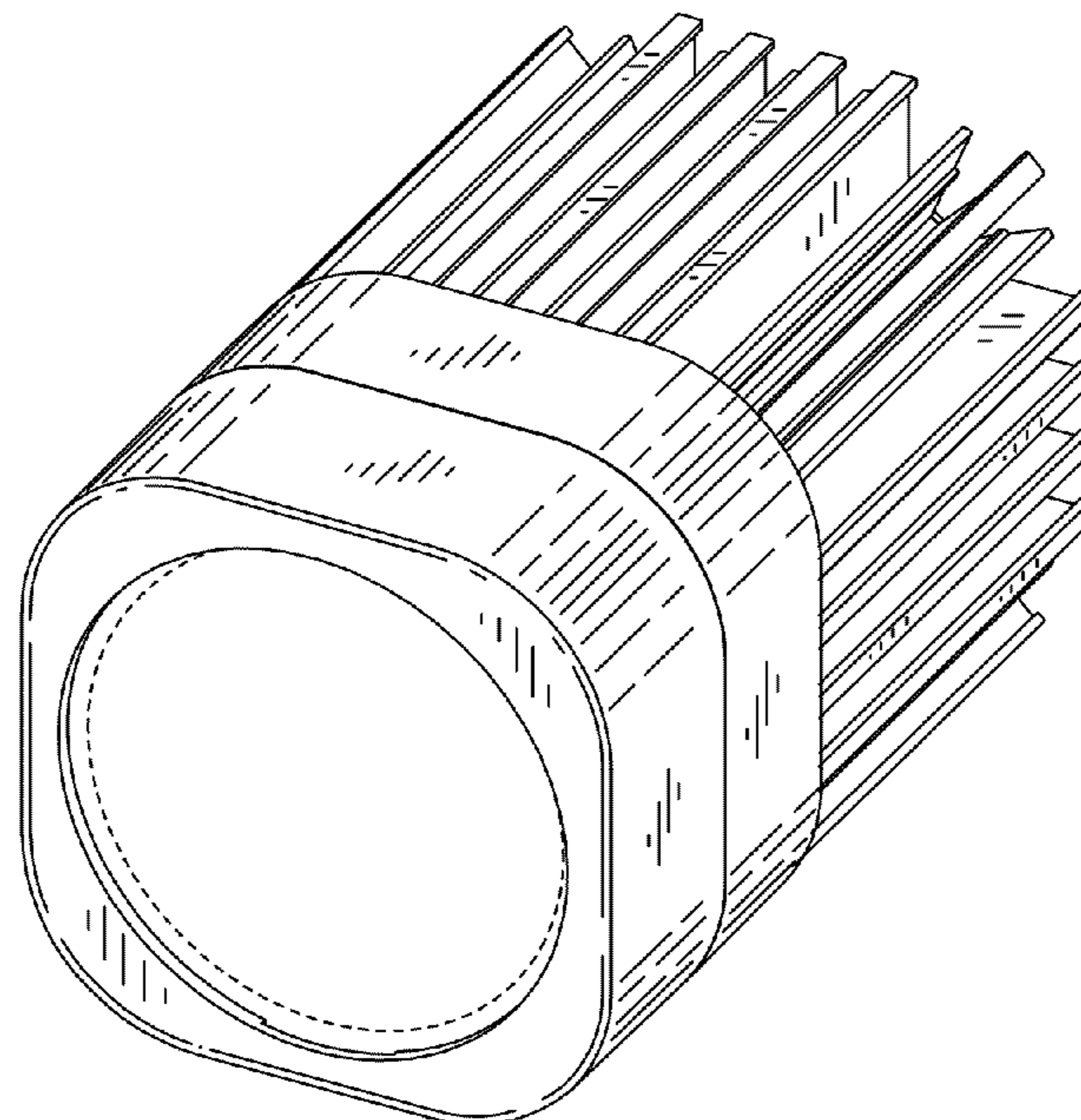
The ornamental design for a light head, as shown and described.

DESCRIPTION

FIG. 1 is a front perspective view of a light head in accordance with a first embodiment of the present invention;
FIG. 2 is a rear perspective view of the light head illustrated in FIG. 1;
FIG. 3 is a top plan view of the light head illustrated in FIG. 1;
FIG. 4 is a rear plan view of the light head illustrated in FIG. 1;
FIG. 5 is a front plan view of the light head illustrated in FIG. 1; and,
FIG. 6 is a side plan view of the light head illustrated in FIG. 1.

The features of the light head shown in dotted line are for illustrative purposes only and form no part of the claimed design.

1 Claim, 2 Drawing Sheets



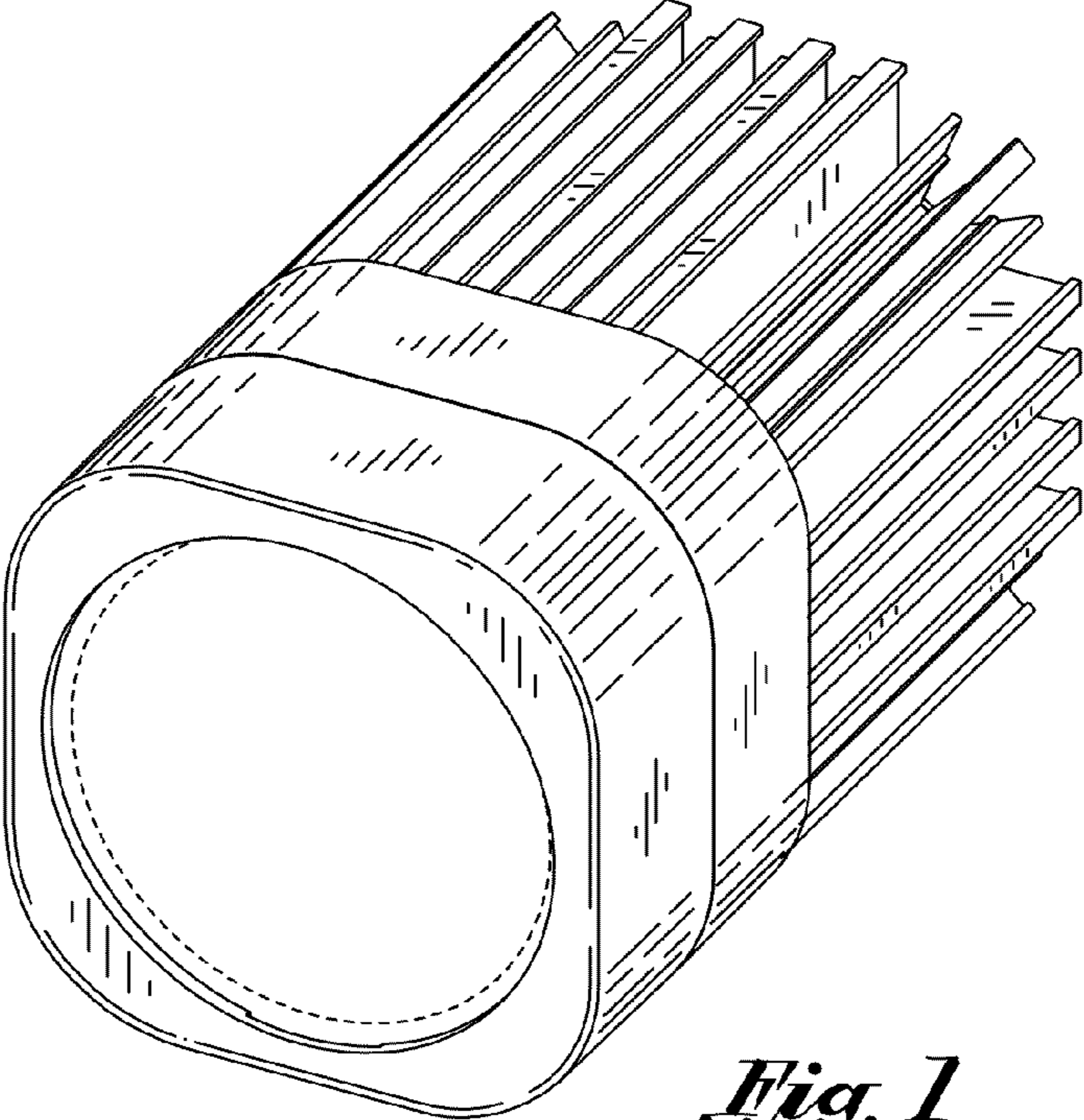


Fig. 1

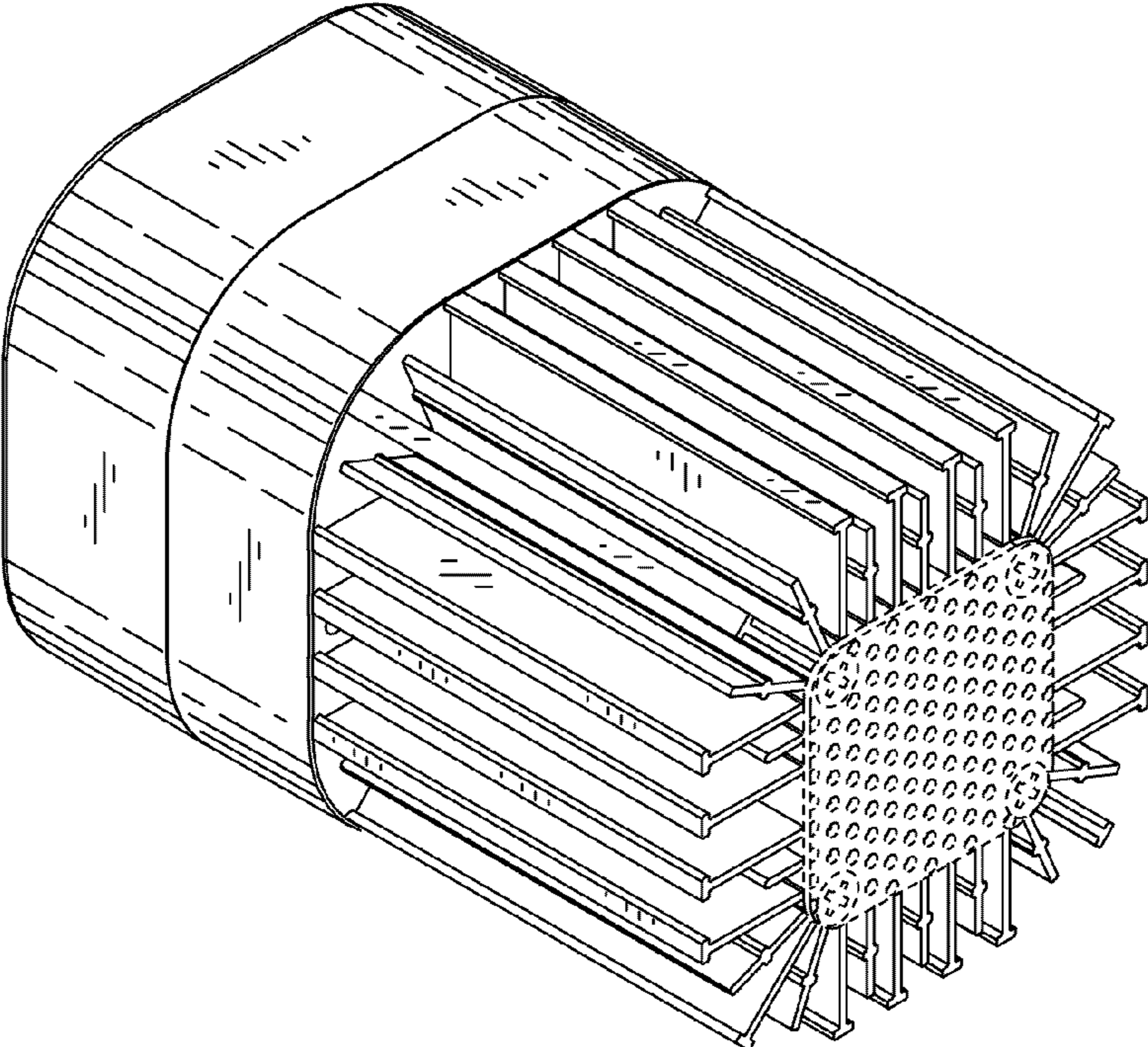


Fig. 2

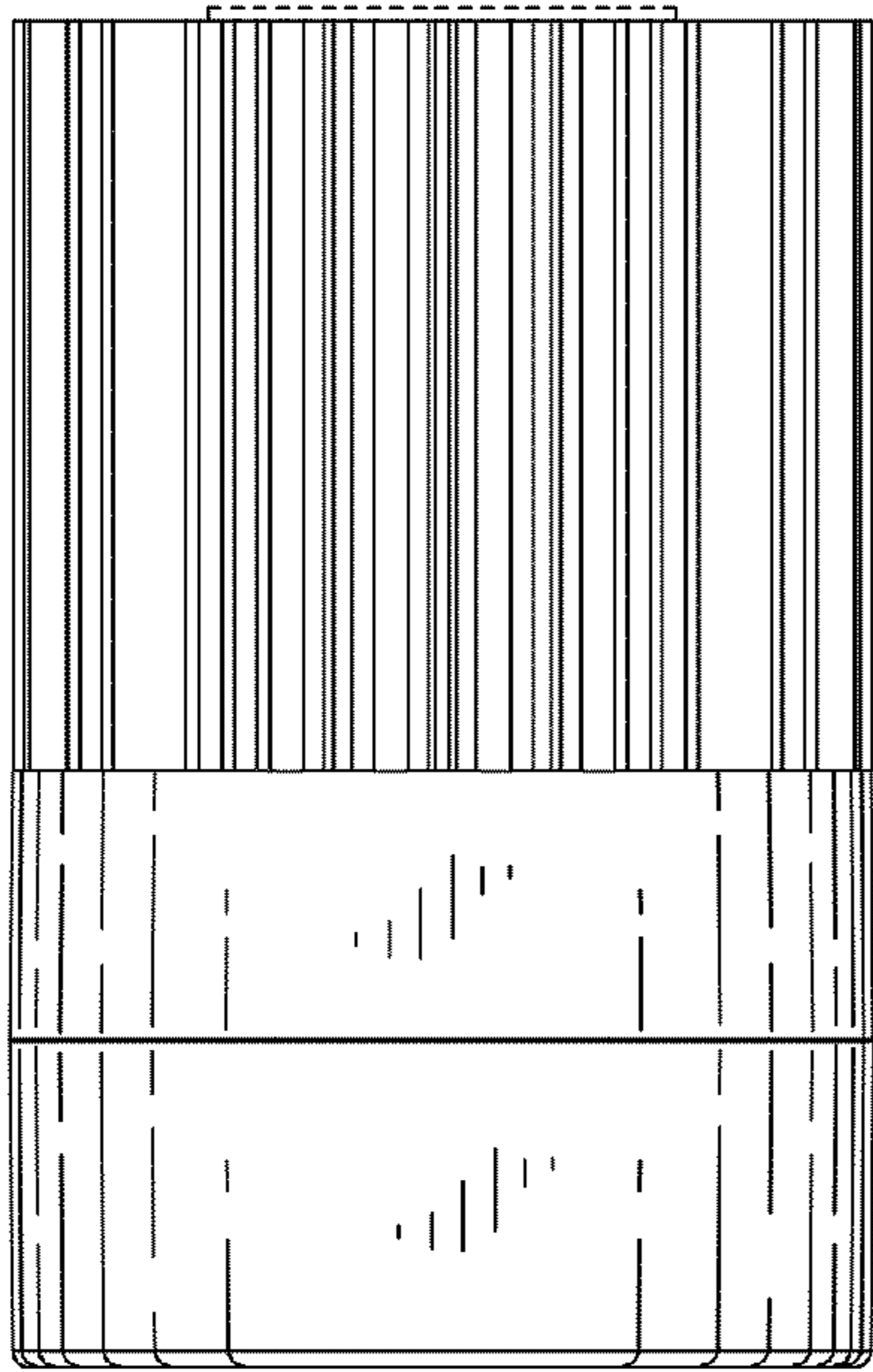


Fig. 3

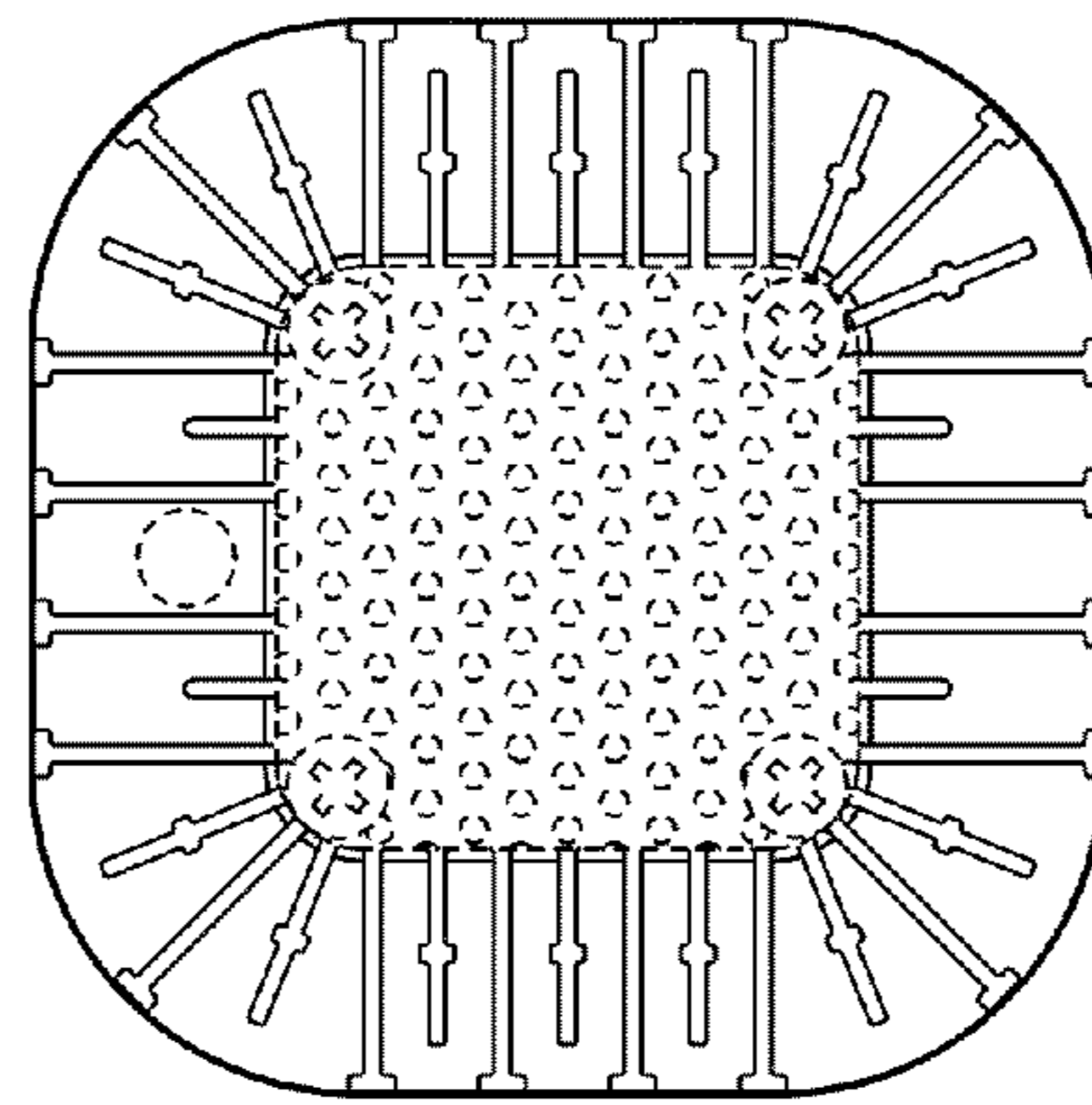


Fig. 4

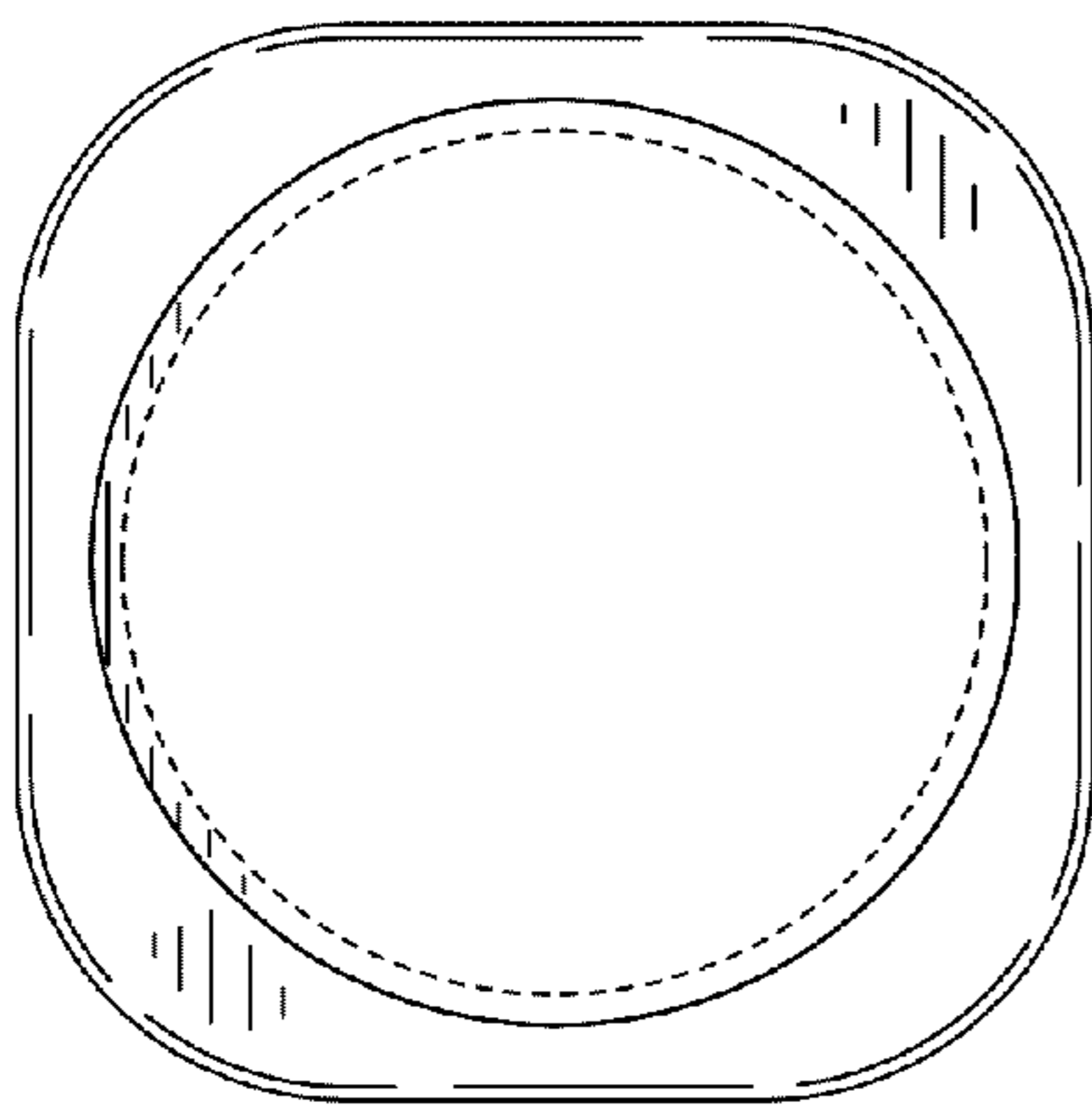


Fig. 5

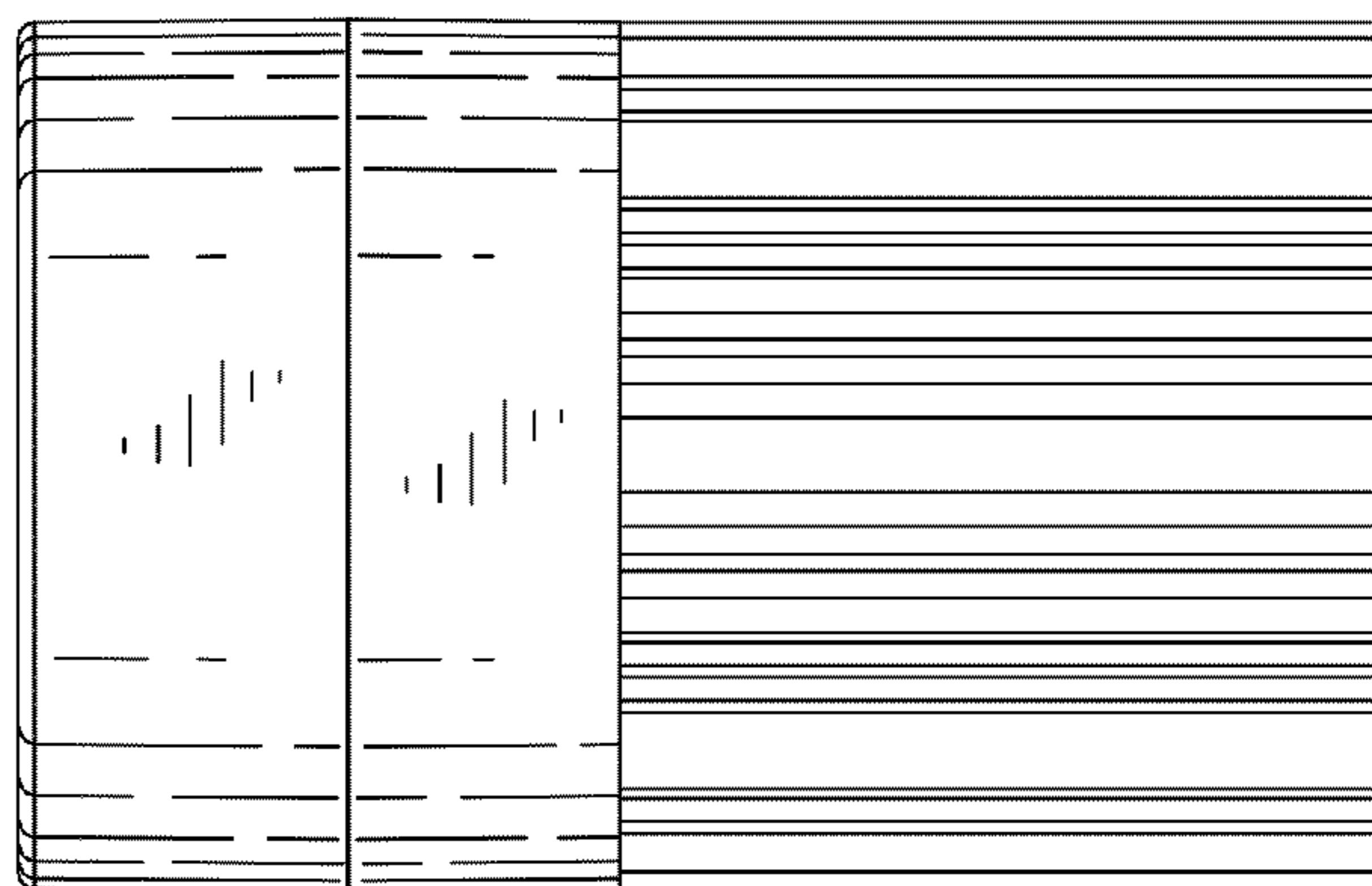


Fig. 6