



US00D720478S

(12) **United States Design Patent**  
**Zeng et al.**

(10) **Patent No.:** **US D720,478 S**

(45) **Date of Patent:** **\*\* Dec. 30, 2014**

(54) **LAMP**

(71) Applicants: **Yichong Zeng**, Chelmsford, MA (US);  
**Shiyong Zhang**, Boxborough, MA (US)

(72) Inventors: **Yichong Zeng**, Chelmsford, MA (US);  
**Shiyong Zhang**, Boxborough, MA (US)

(73) Assignee: **OSRAM SYLVANIA Inc.**, Danvers,  
MA (US)

(\*\*) Term: **14 Years**

(21) Appl. No.: **29/451,582**

(22) Filed: **Apr. 4, 2013**

(51) **LOC (10) Cl.** ..... **26-04**

(52) **U.S. Cl.**  
USPC ..... **D26/2**

(58) **Field of Classification Search**  
USPC ..... D26/1-4; 313/313, 315, 316, 317, 318,  
313/493; 315/52, 53, 56, 57, 58  
See application file for complete search history.

(56) **References Cited**

**U.S. PATENT DOCUMENTS**

D508,575 S 8/2005 Buschmann et al.  
D544,618 S 6/2007 Coushaine

D610,271 S \* 2/2010 Bi ..... D26/2  
D616,120 S \* 5/2010 Wada et al. .... D26/2  
D617,918 S \* 6/2010 Yamamoto et al. .... D26/2  
D631,569 S \* 1/2011 Bobel ..... D26/2  
D631,571 S \* 1/2011 Bobel ..... D26/2

\* cited by examiner

*Primary Examiner* — Marcus Jackson

(74) *Attorney, Agent, or Firm* — Edward S. Podszus

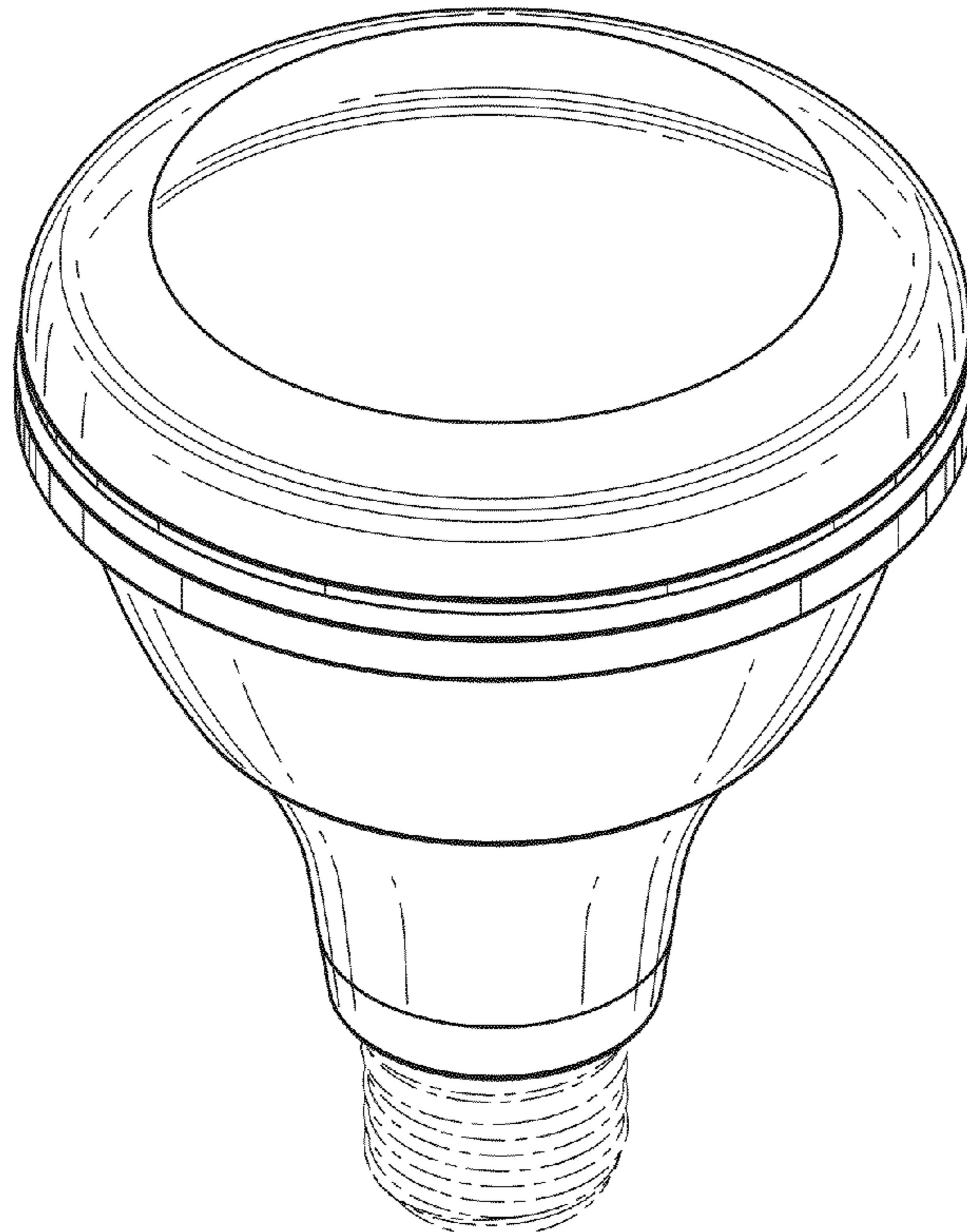
(57) **CLAIM**

The ornamental design for a lamp, as shown and described.

**DESCRIPTION**

FIG. 1 is a perspective view of the new design for a lamp as seen from the side, top;  
FIG. 2 is a side elevational view thereof;  
FIG. 3 is a top plan view thereof; and  
FIG. 4 is a bottom plan view thereof.  
FIG. 5 is a perspective view of the second embodiment of the new design for a lamp as seen from the side, top;  
FIG. 6 is a side elevational view of the second embodiment;  
FIG. 7 is a top plan view of the second embodiment; and,  
FIG. 8 is a rear plan view of the second embodiment.  
The broken line disclosure is for environmental purposes only and does not form a part of the claimed design.

**1 Claim, 8 Drawing Sheets**



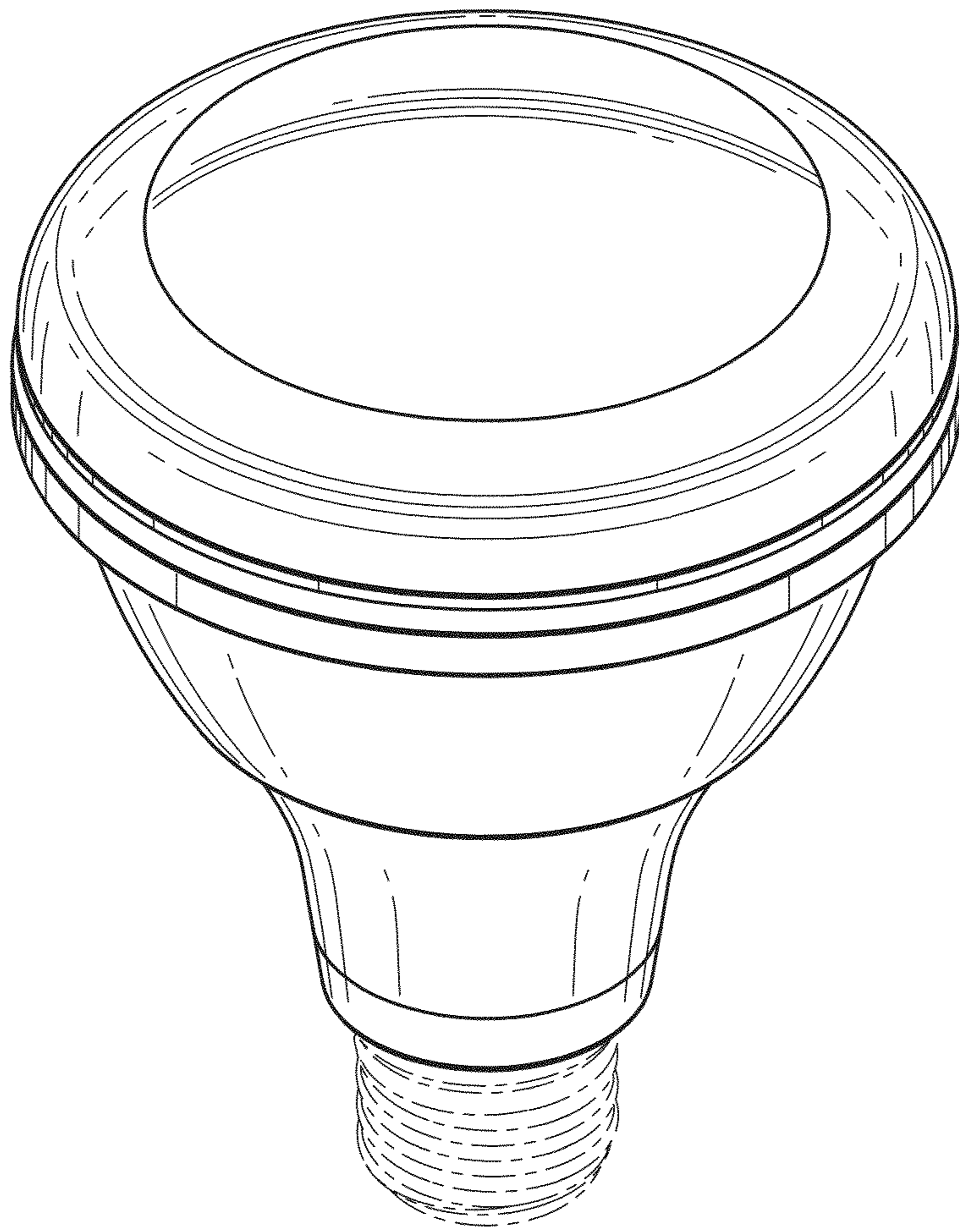


FIG. 1

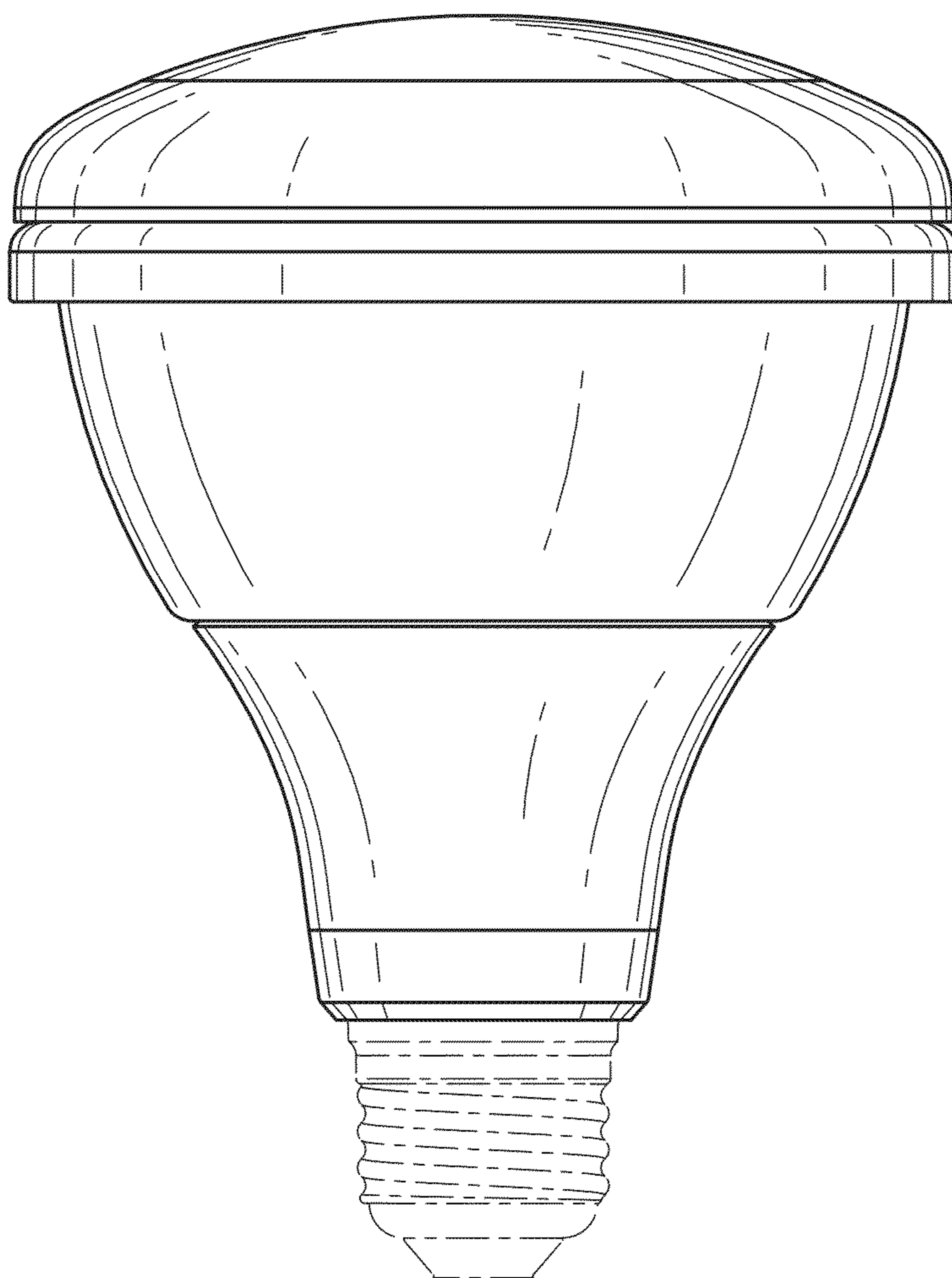


FIG. 2

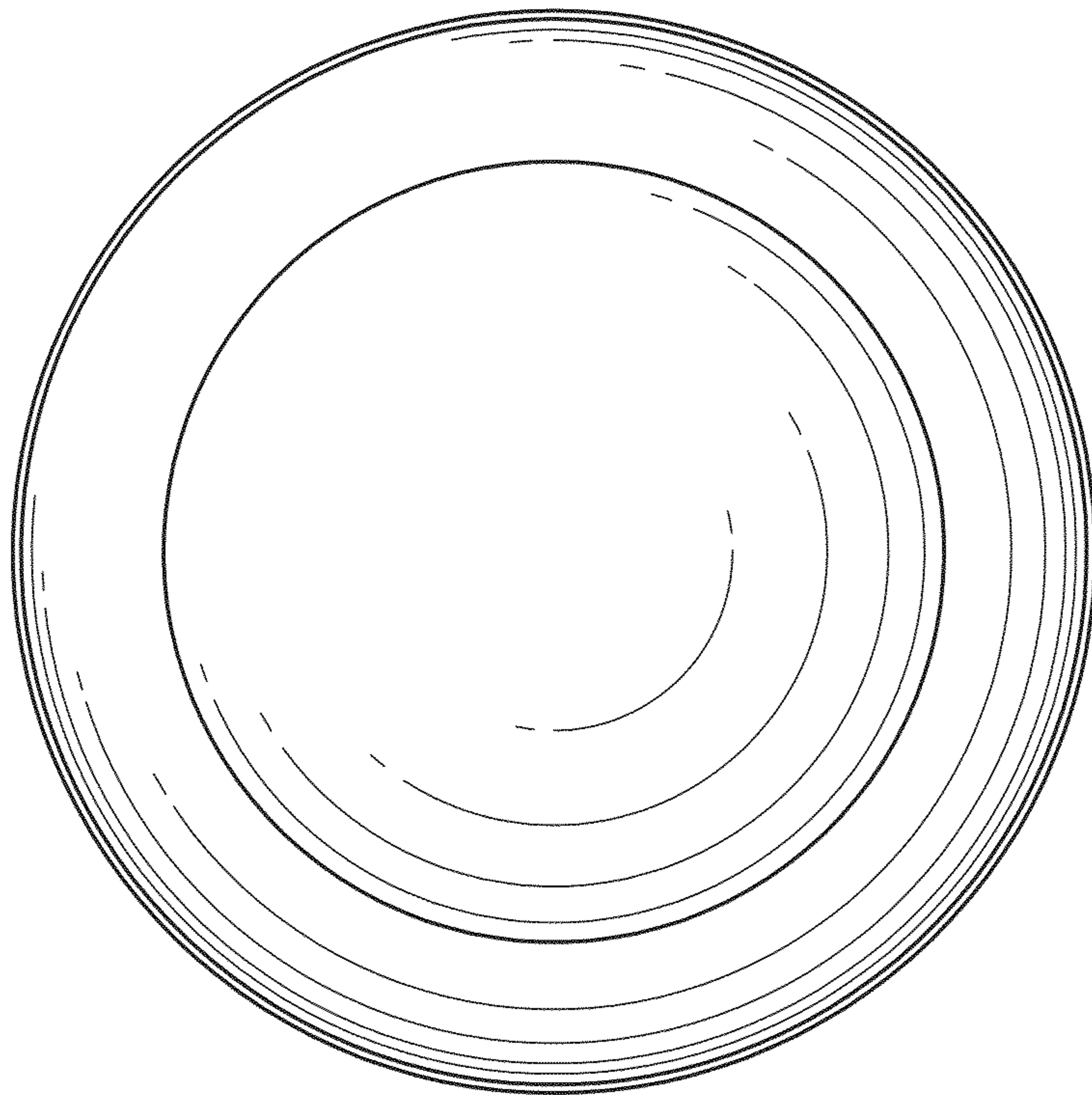


FIG. 3



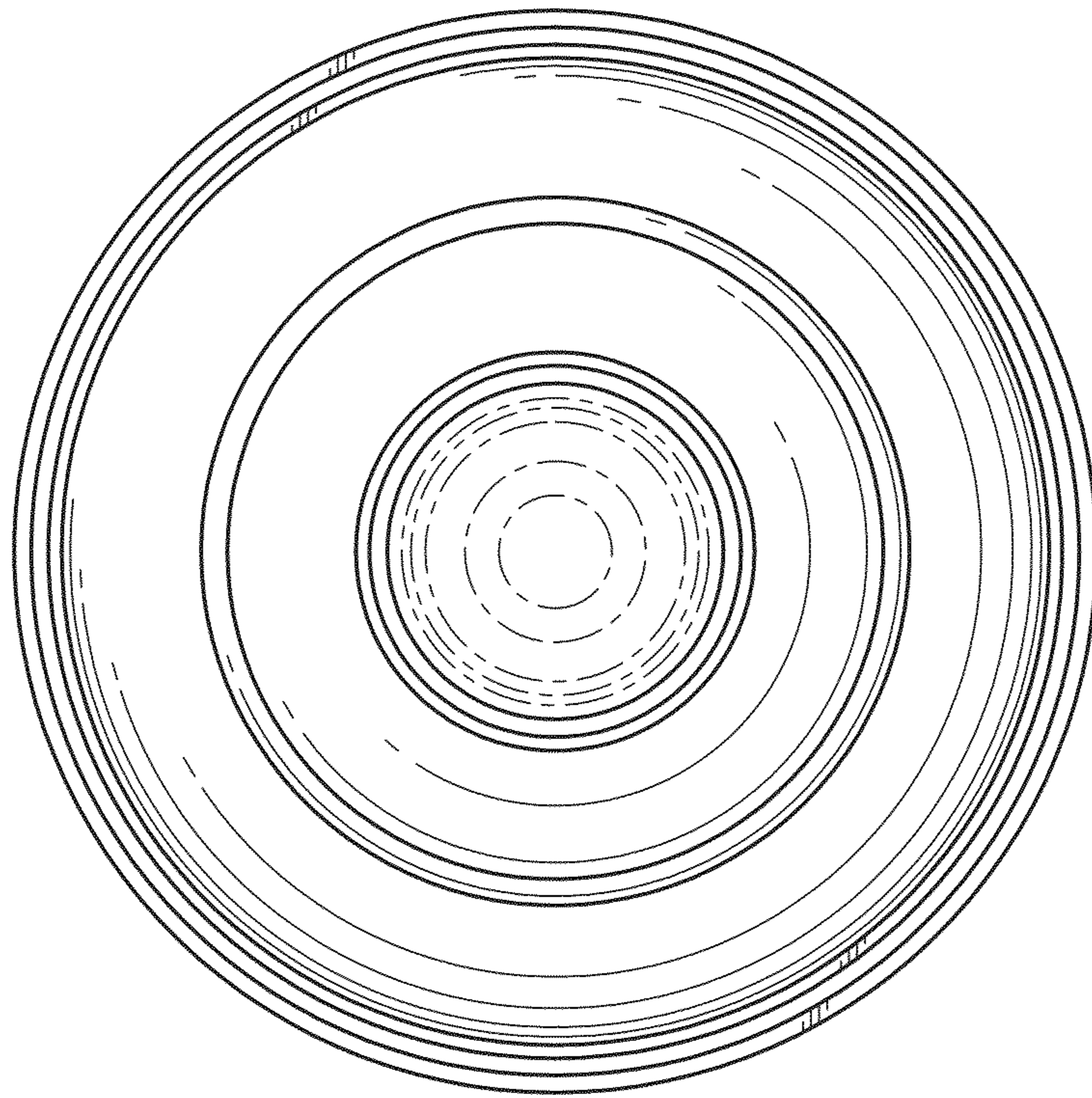


FIG. 4

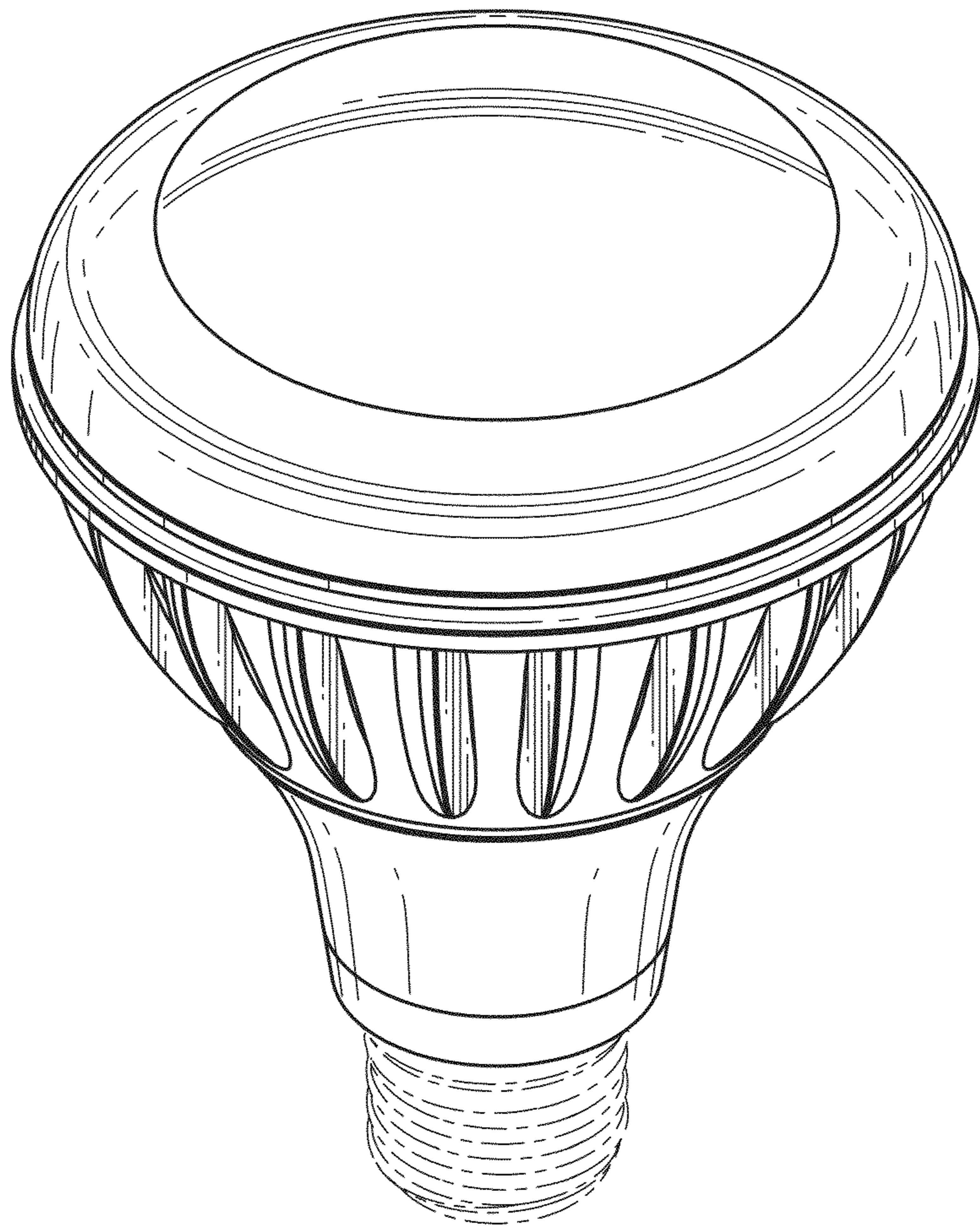


FIG. 5

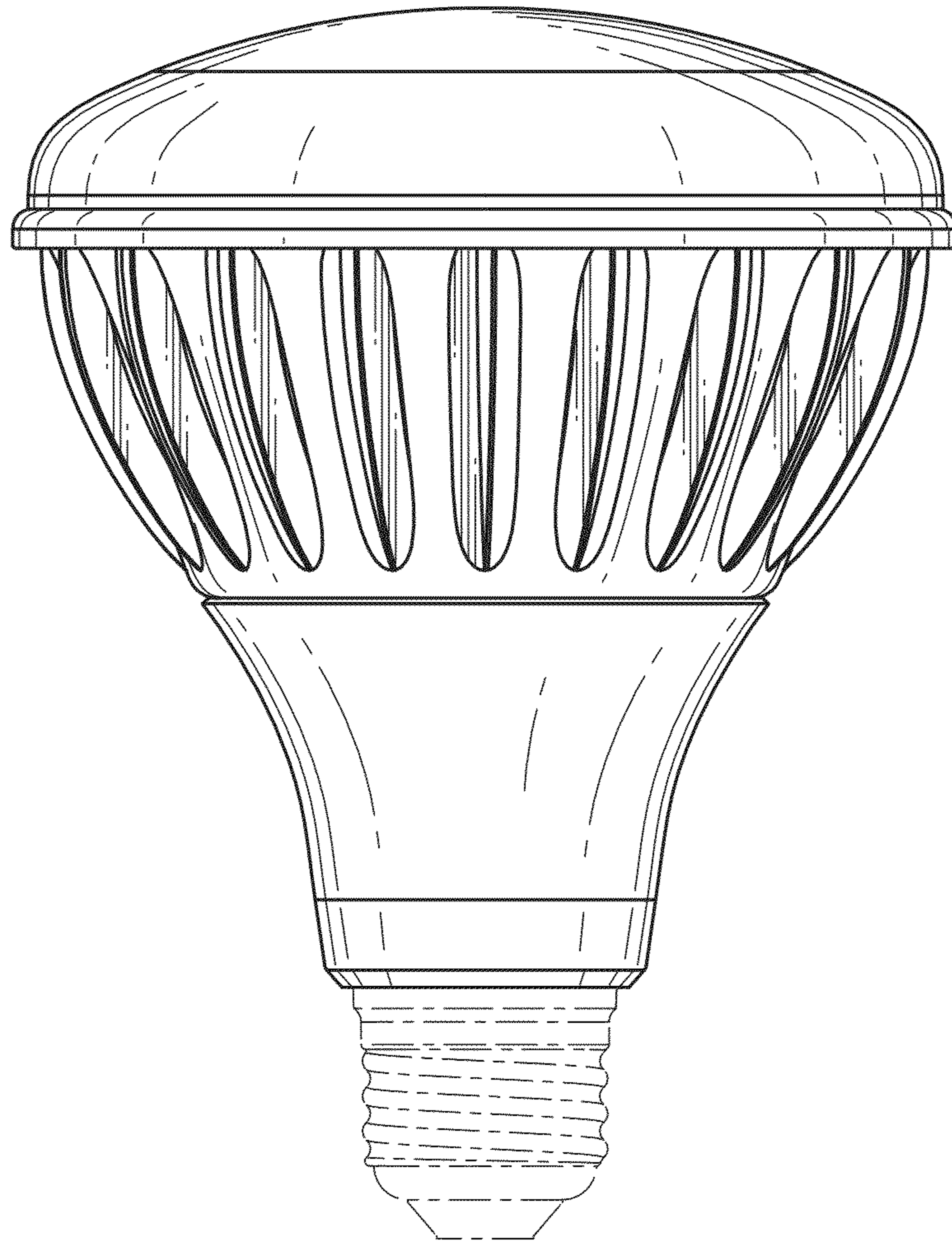


FIG. 6

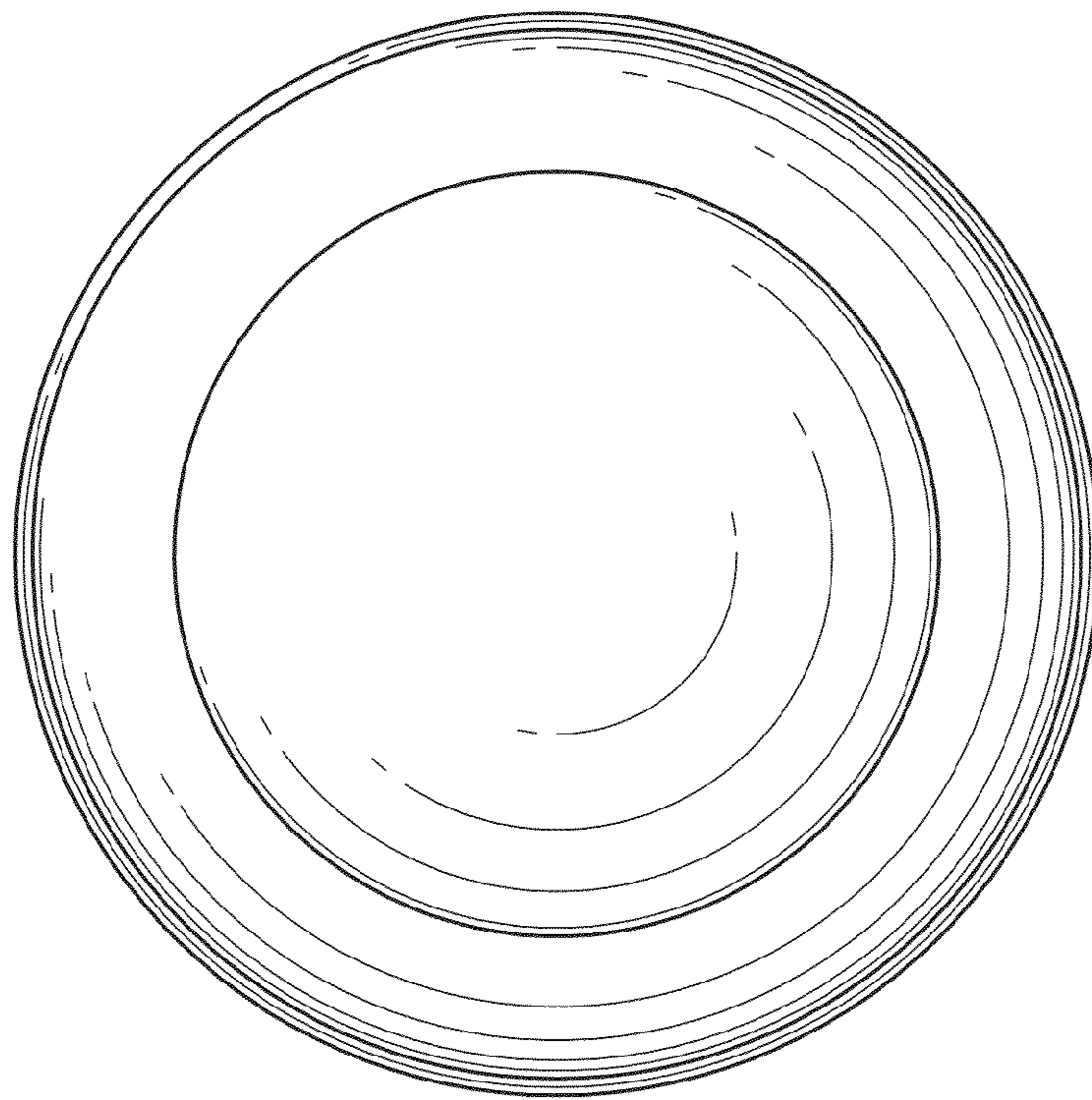


FIG. 7



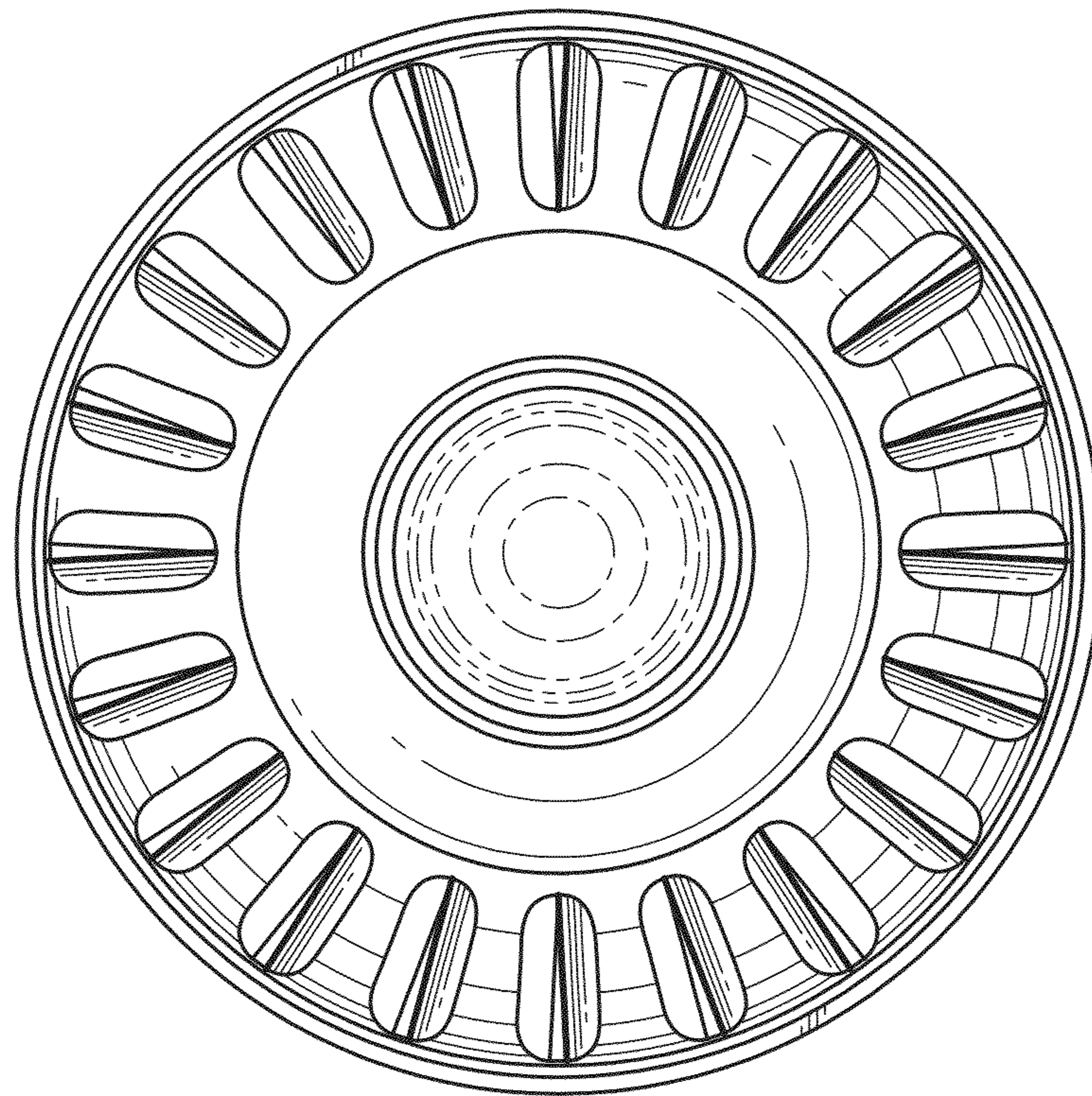


FIG. 8