



US00D720477S

(12) **United States Design Patent**
Ross

(10) **Patent No.:** **US D720,477 S**
(45) **Date of Patent:** **** Dec. 30, 2014**

(54) **CAP RAILING**
(71) Applicant: **George H. Ross**, Delano, MN (US)
(72) Inventor: **George H. Ross**, Delano, MN (US)
(**) Term: **14 Years**

(21) Appl. No.: **29/449,442**
(22) Filed: **Mar. 15, 2013**
(51) **LOC (10) Cl.** **25-01**
(52) **U.S. Cl.**
USPC **D25/121; D25/38.1; D25/135**
(58) **Field of Classification Search**
USPC **D25/38.1, 135, 121; 256/59, 65.01,**
256/65.02, 65.09, 65.11, 65.16, 65.15;
52/716.1
See application file for complete search history.

(56) **References Cited**
U.S. PATENT DOCUMENTS
4,089,497 A 5/1978 Miller et al.
5,437,433 A 8/1995 Rezek
D509,599 S * 9/2005 MacDonald D25/121

7,438,284 B2 * 10/2008 McGinness et al. 256/59
8,317,162 B2 * 11/2012 Welandson 256/13.1
2004/0206028 A1 10/2004 Terrels et al.
2006/0284154 A1 12/2006 Sprague
2009/0145077 A1 * 6/2009 Castelle 52/716.2
2011/0017969 A1 * 1/2011 Reich 256/65.16

* cited by examiner

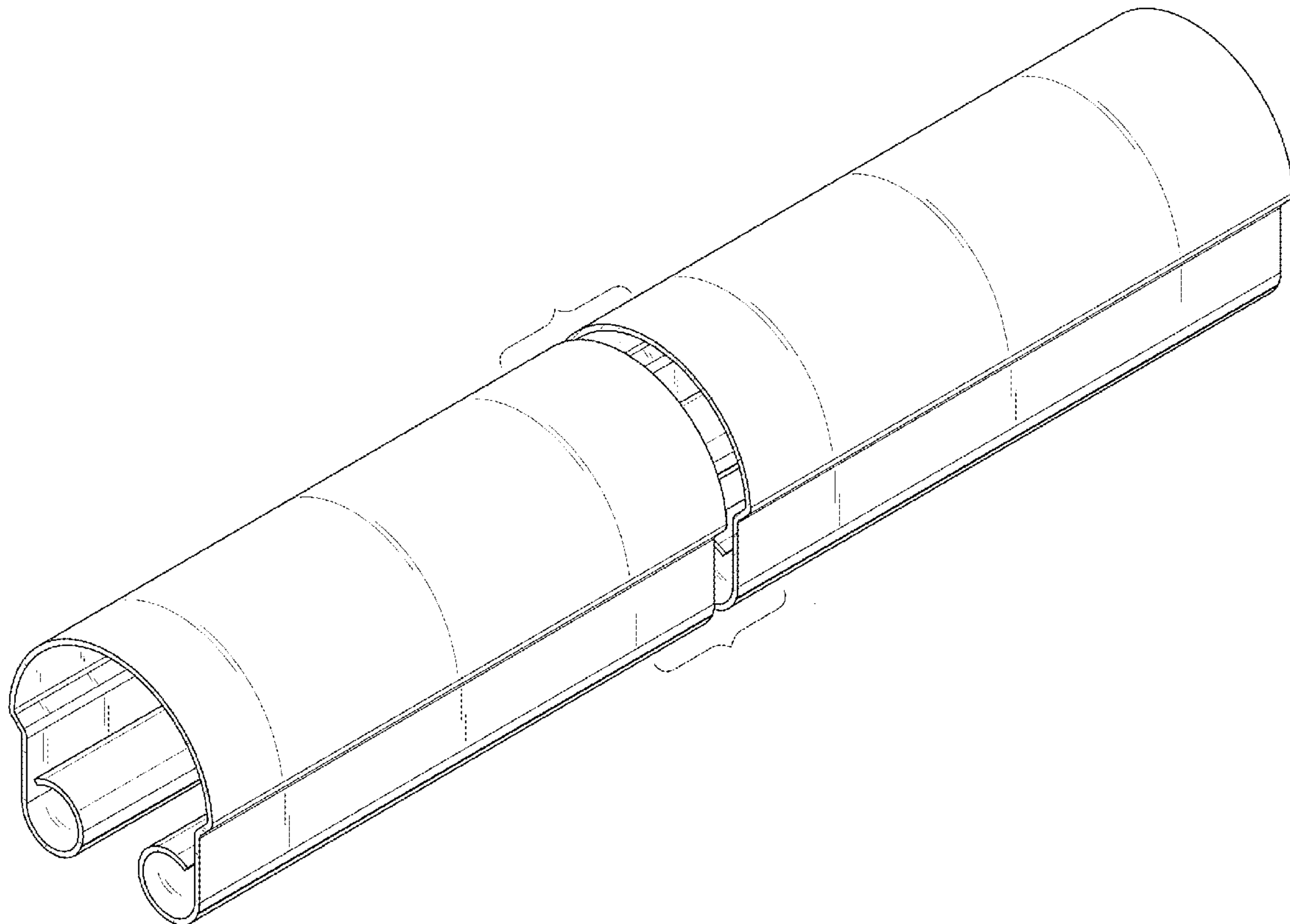
Primary Examiner — Doris Clark
(74) *Attorney, Agent, or Firm* — Meister Seelig & Fein LLP

(57) **CLAIM**
The ornamental design for cap railing, as shown and described.

DESCRIPTION

FIG. 1 is a perspective view of one side and the front of the cap railing according to one embodiment of my new design;
FIG. 2 is a front view thereof;
FIG. 3 is a back view thereof;
FIG. 4 is a left side view thereof;
FIG. 5 is a right side view thereof;
FIG. 6 is a top view thereof; and,
FIG. 7 is a bottom view thereof.

1 Claim, 4 Drawing Sheets



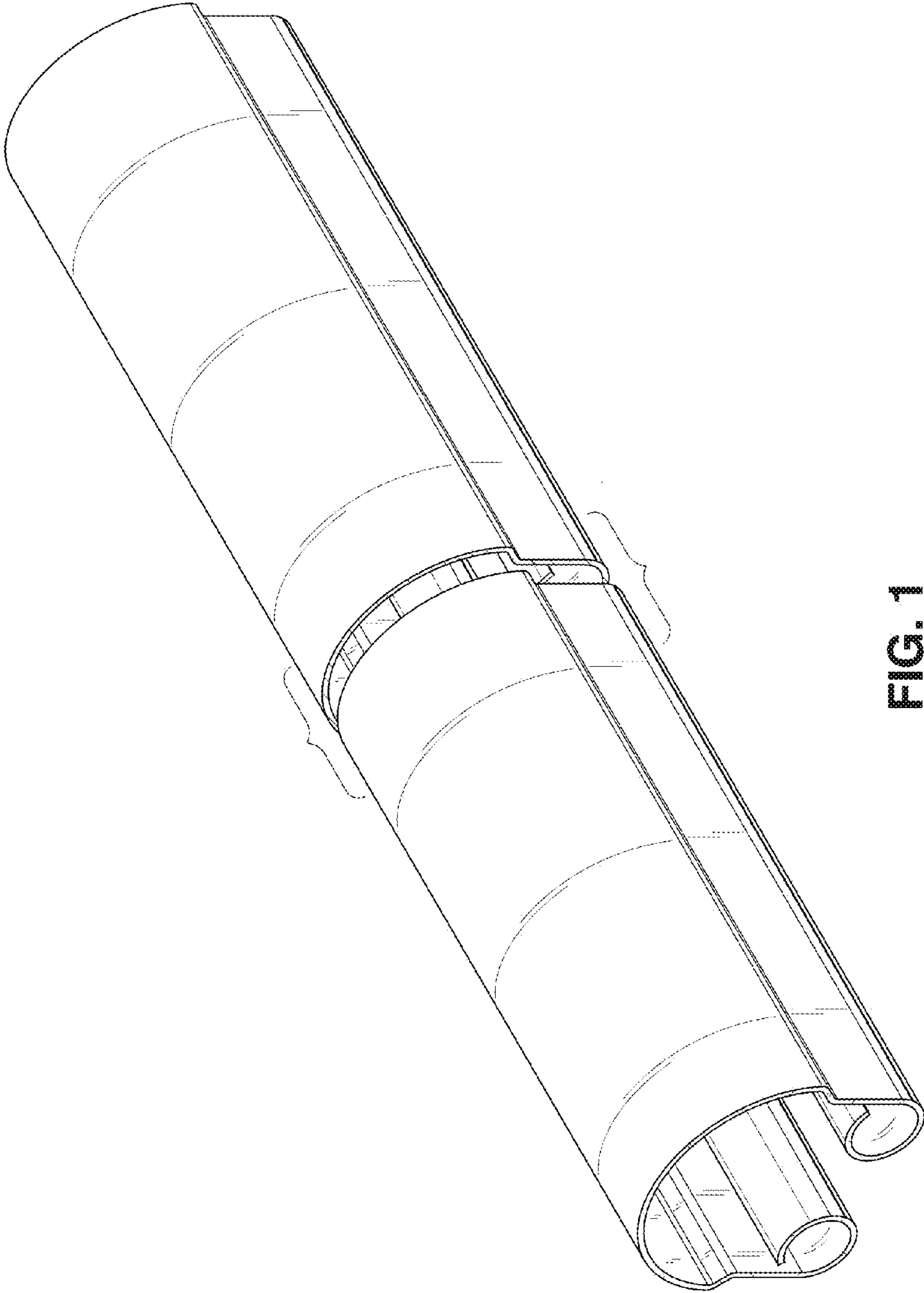


FIG. 1

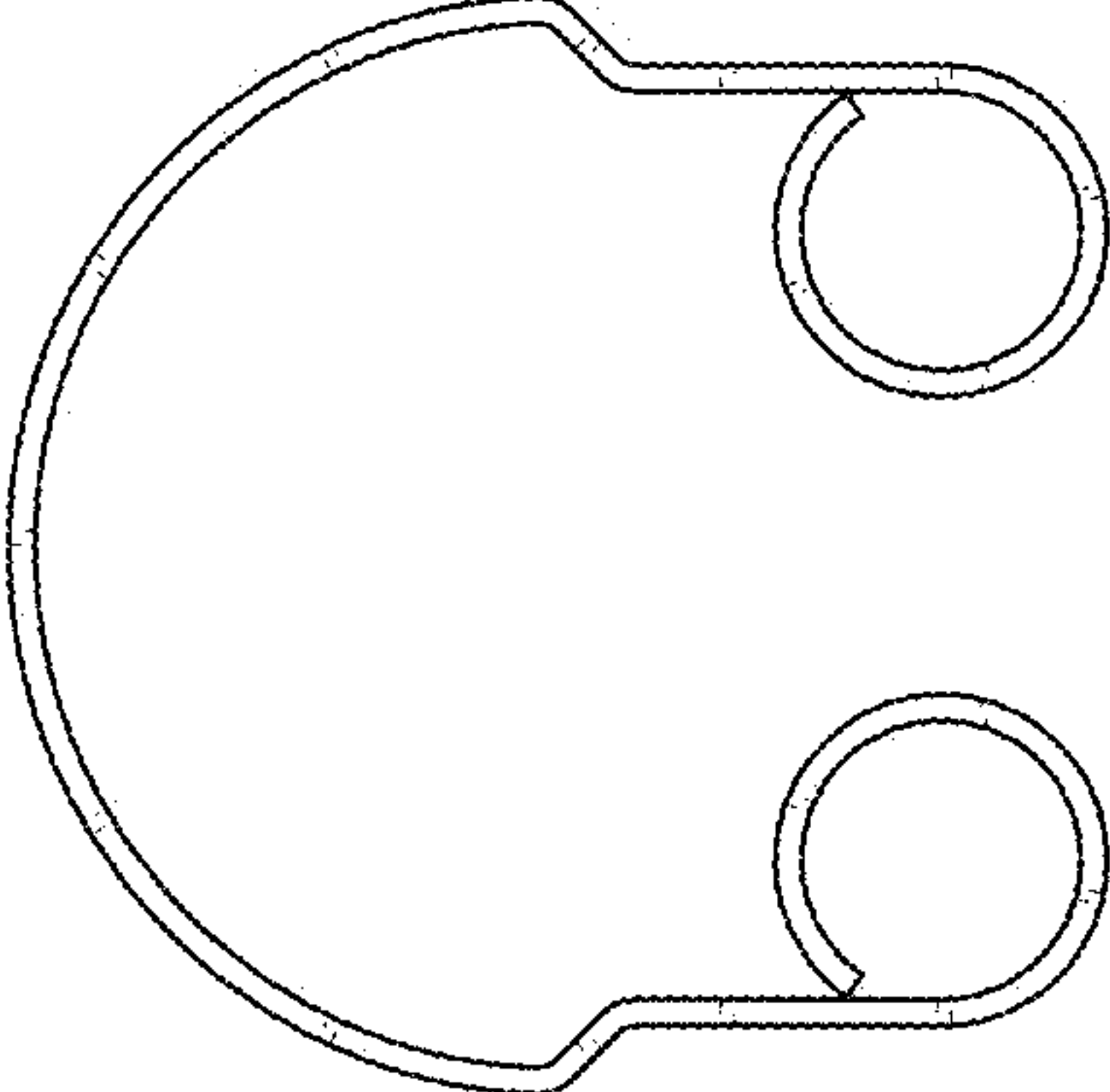


FIG. 2

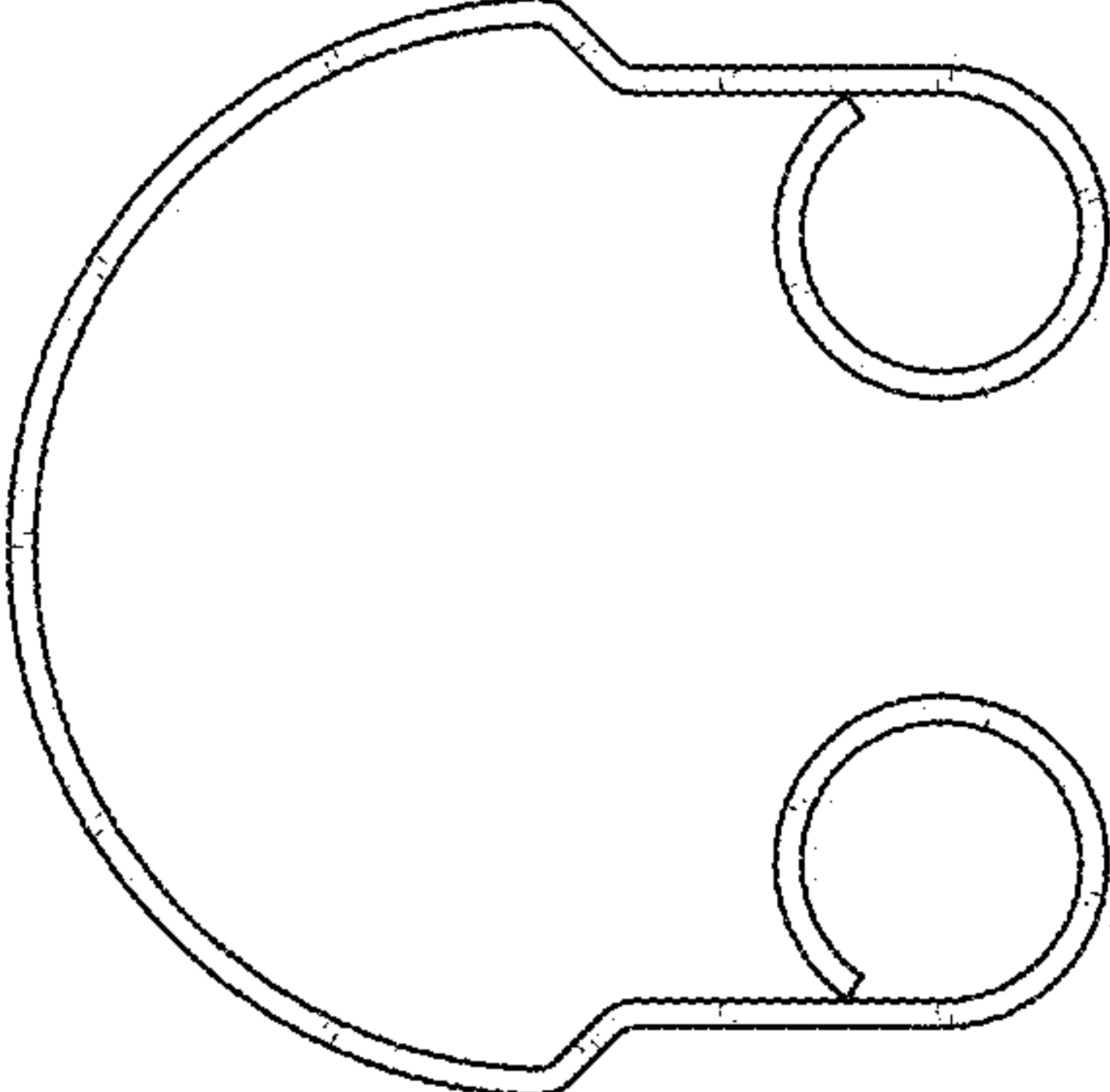


FIG. 3

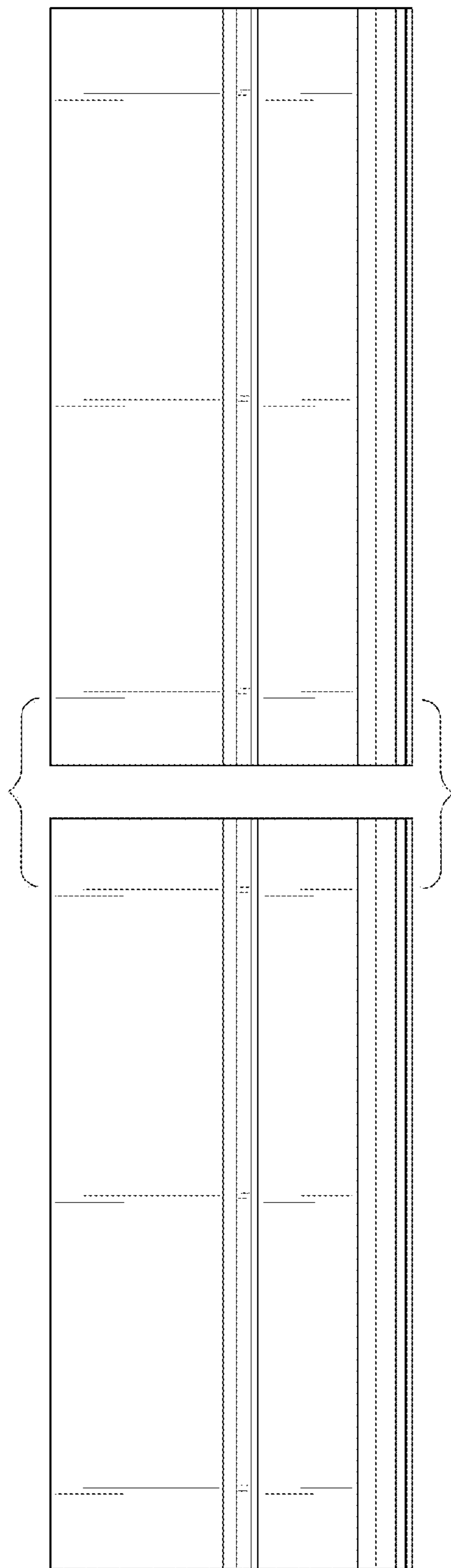


FIG. 4

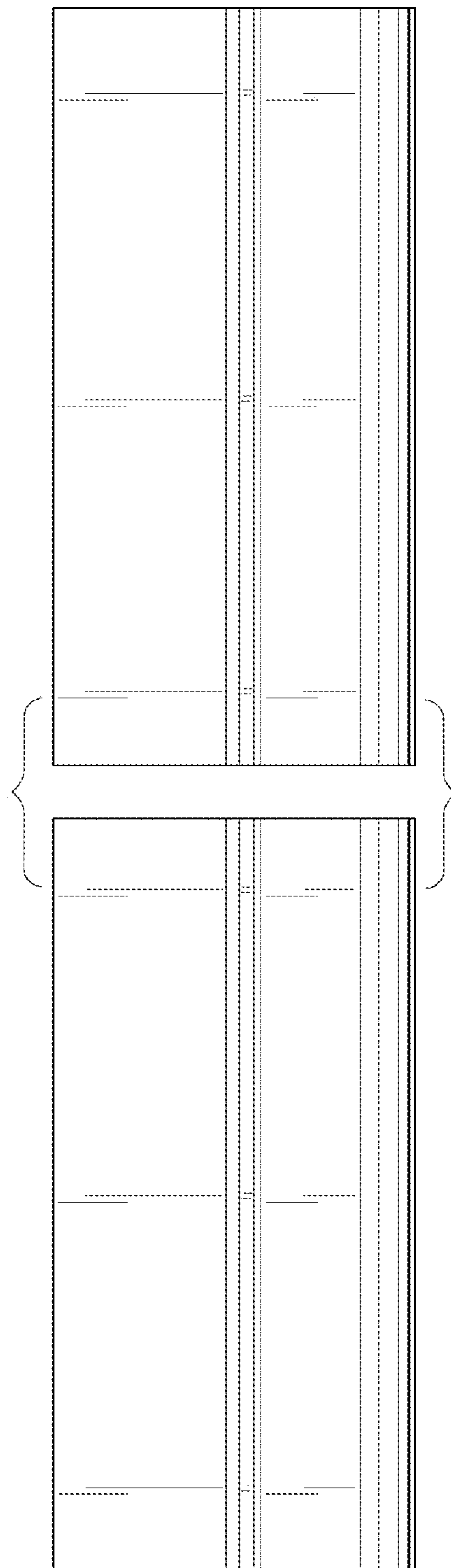


FIG. 5

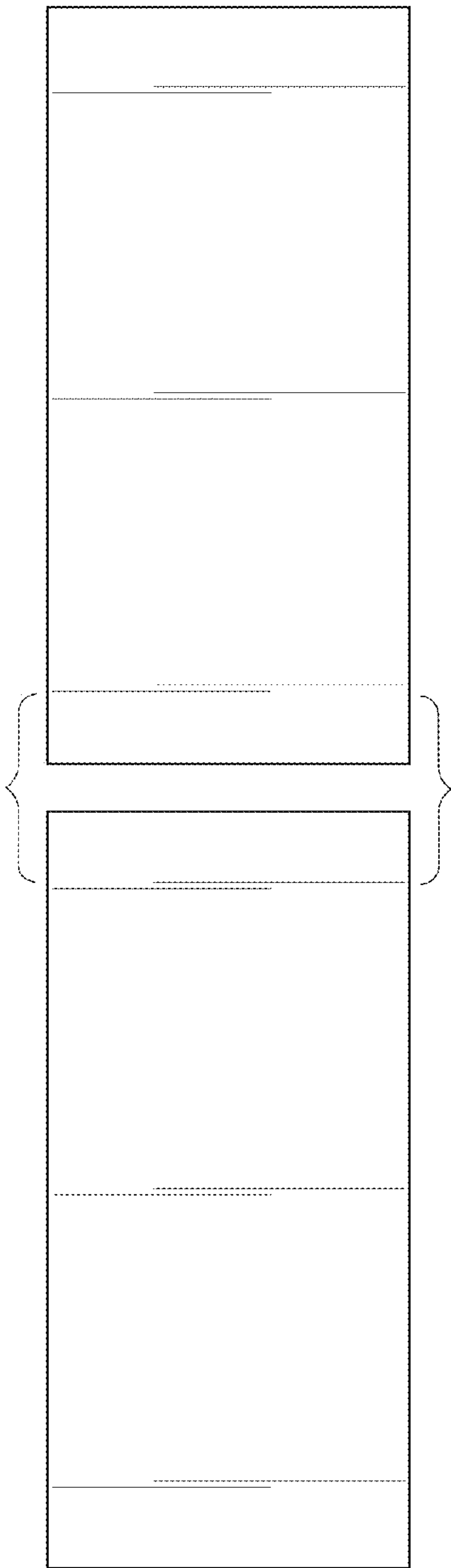


FIG. 6

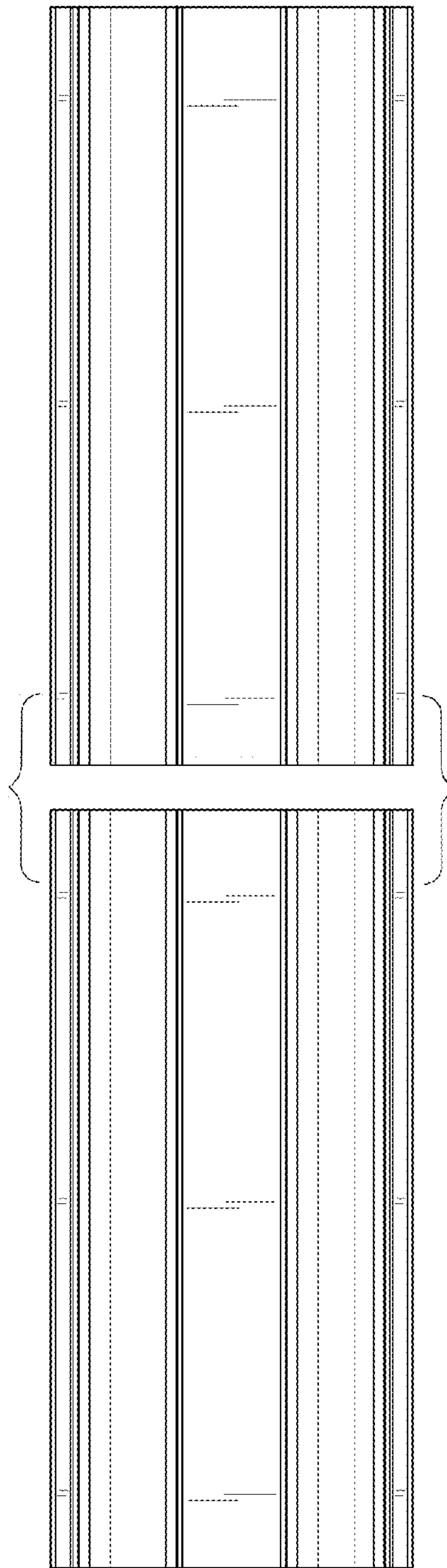


FIG. 7