



US00D720476S

(12) **United States Design Patent**  
**Ross**

(10) **Patent No.:** **US D720,476 S**

(45) **Date of Patent:** **\*\* Dec. 30, 2014**

(54) **CAP RAILING**

(71) Applicant: **George H. Ross**, Delano, MN (US)

(72) Inventor: **George H. Ross**, Delano, MN (US)

(\*\*) Term: **14 Years**

(21) Appl. No.: **29/449,419**

(22) Filed: **Mar. 15, 2013**

(51) **LOC (10) Cl.** ..... **25-01**

(52) **U.S. Cl.**  
USPC ..... **D25/121**; D25/38.1; D25/135

(58) **Field of Classification Search**  
USPC ..... D25/38.1, 135, 121; 256/59, 65.01,  
256/65.02, 65.09, 65.11, 65.16, 65.15;  
52/716.1

See application file for complete search history.

(56) **References Cited**

**U.S. PATENT DOCUMENTS**

4,089,497 A 5/1978 Miller et al.  
5,437,433 A 8/1995 Rezek  
D509,599 S \* 9/2005 MacDonald ..... D25/121

7,438,284 B2 \* 10/2008 McGinness et al. .... 256/59  
8,317,162 B2 \* 11/2012 Welandson ..... 256/13.1  
2004/0206028 A1 10/2004 Terrels et al.  
2006/0284154 A1 12/2006 Sprague  
2009/0145077 A1 \* 6/2009 Castelle ..... 52/716.2  
2011/0017969 A1 \* 1/2011 Reich ..... 256/65.16

\* cited by examiner

*Primary Examiner* — Doris Clark

(74) *Attorney, Agent, or Firm* — Antonio Papageorgiou;  
Meister Seelig & Fein LLP

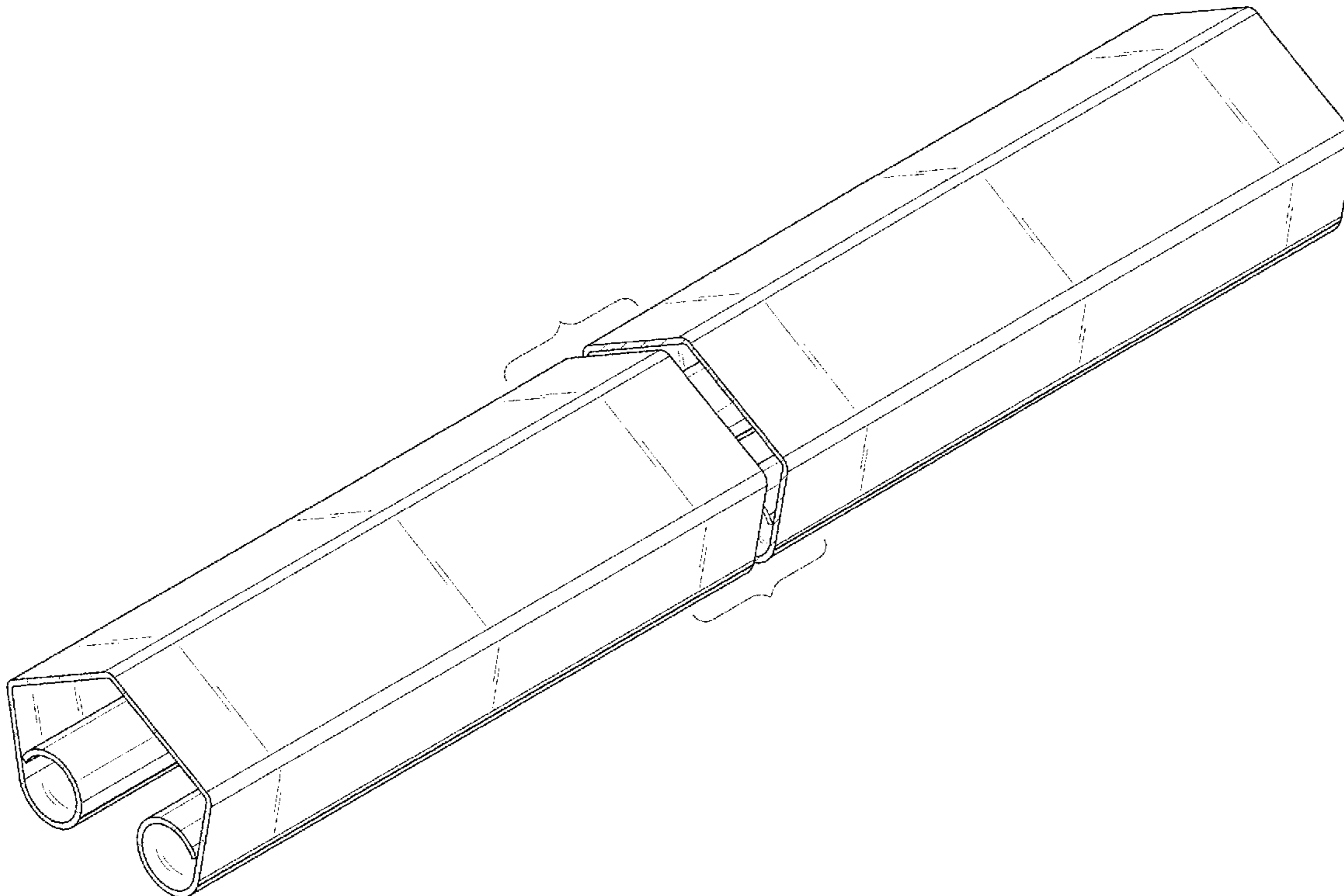
(57) **CLAIM**

The ornamental design for cap railing, as shown and described.

**DESCRIPTION**

FIG. 1 is a perspective view of one side and the front of the cap railing according to my new design;  
FIG. 2 is a front view thereof;  
FIG. 3 is a back view thereof;  
FIG. 4 is a left side view thereof;  
FIG. 5 is a right side view thereof;  
FIG. 6 is a top view thereof; and,  
FIG. 7 is a bottom view thereof.

**1 Claim, 4 Drawing Sheets**



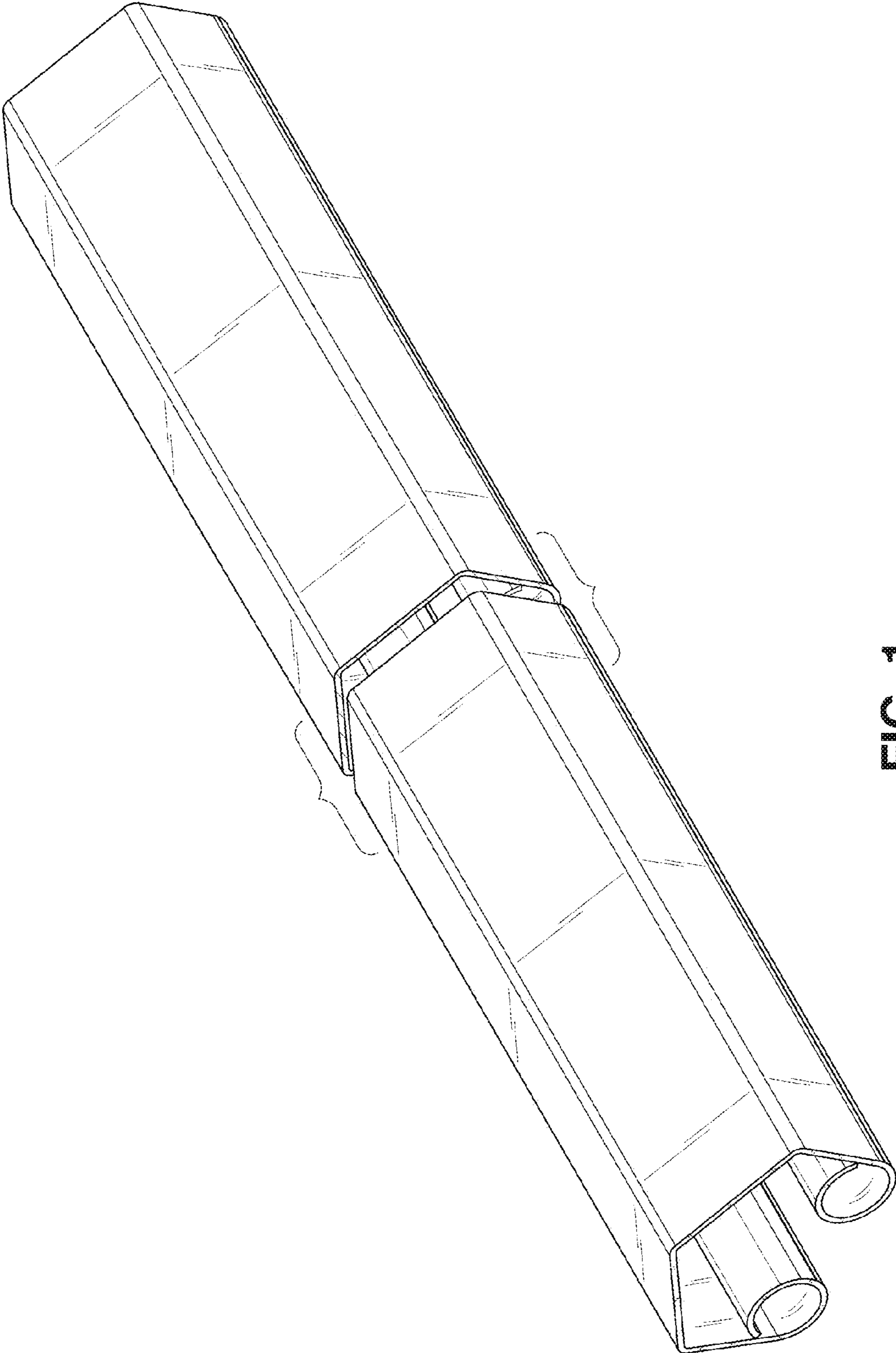


FIG. 1

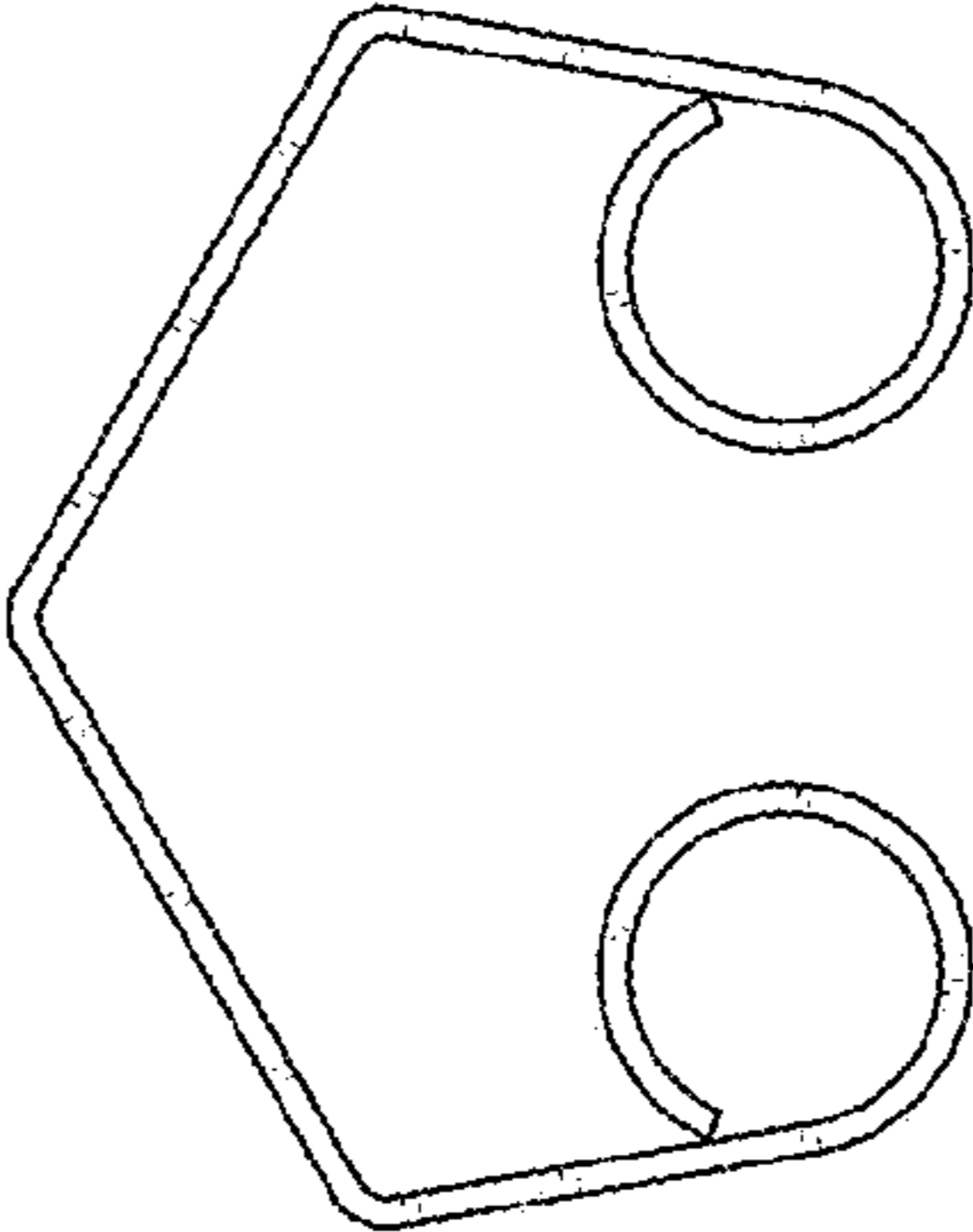


FIG. 2

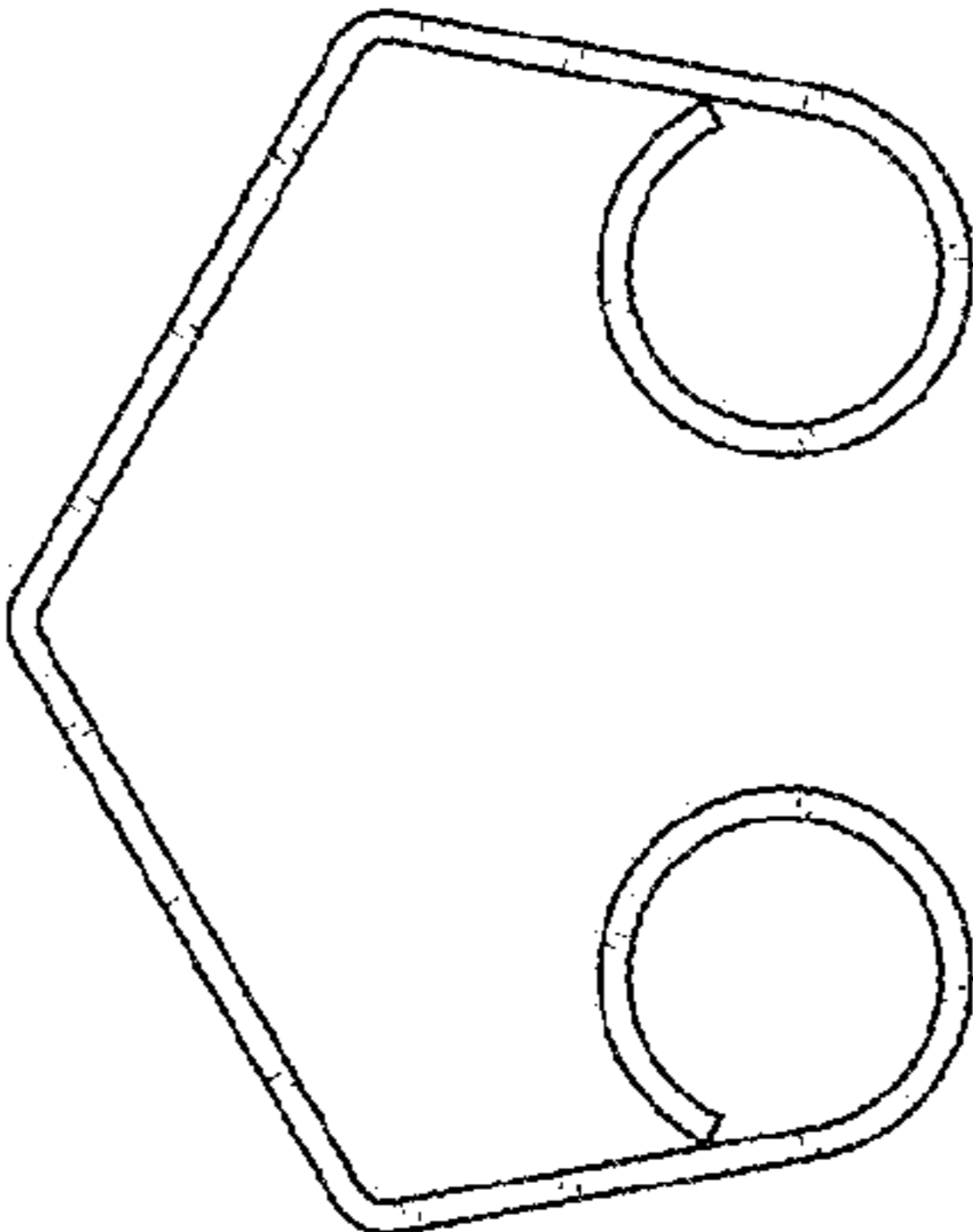


FIG. 3

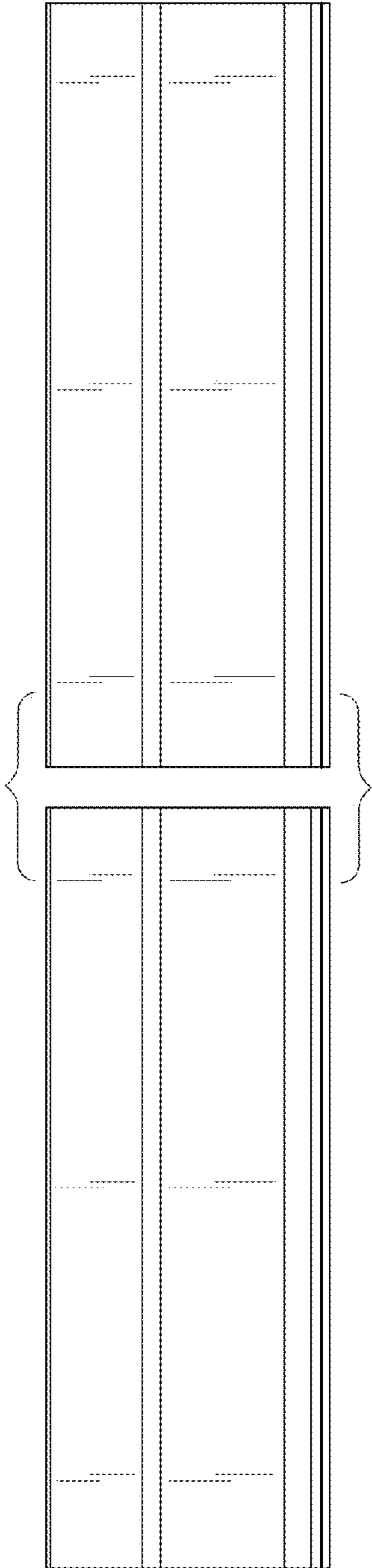


FIG. 4

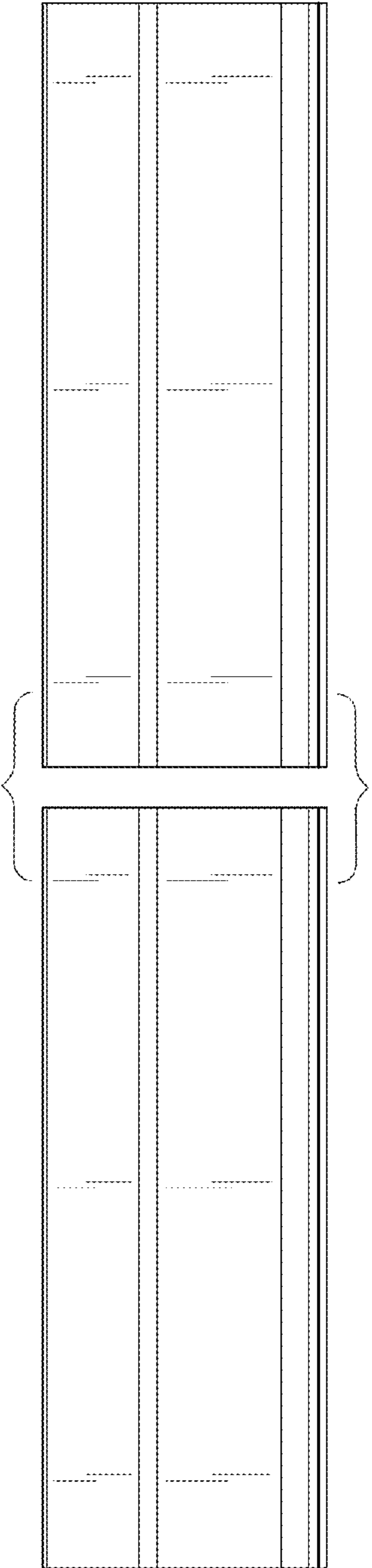


FIG. 5

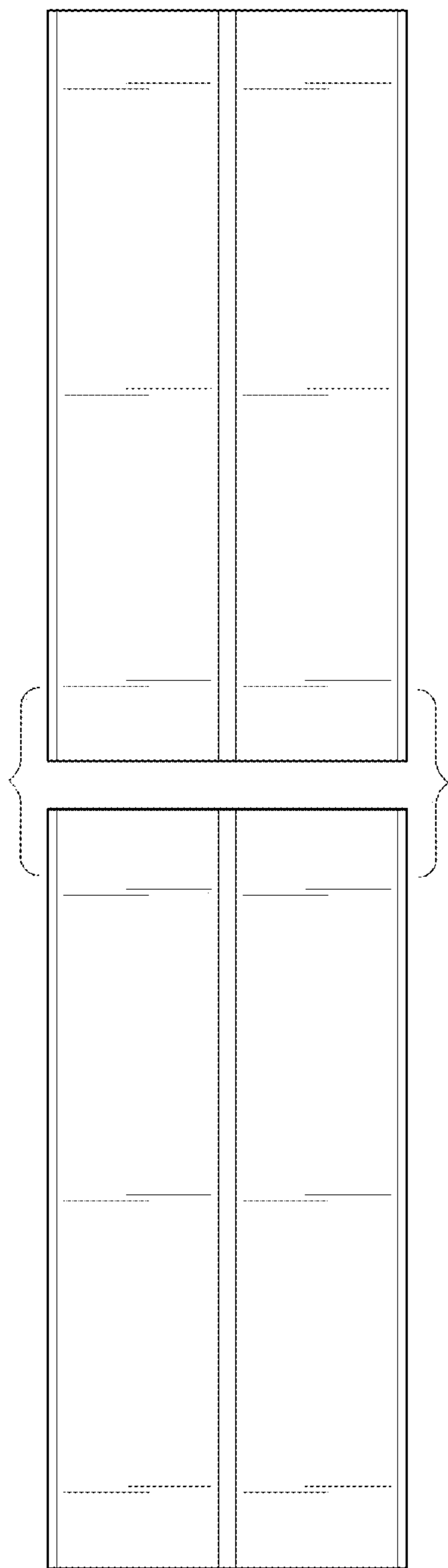


FIG. 6

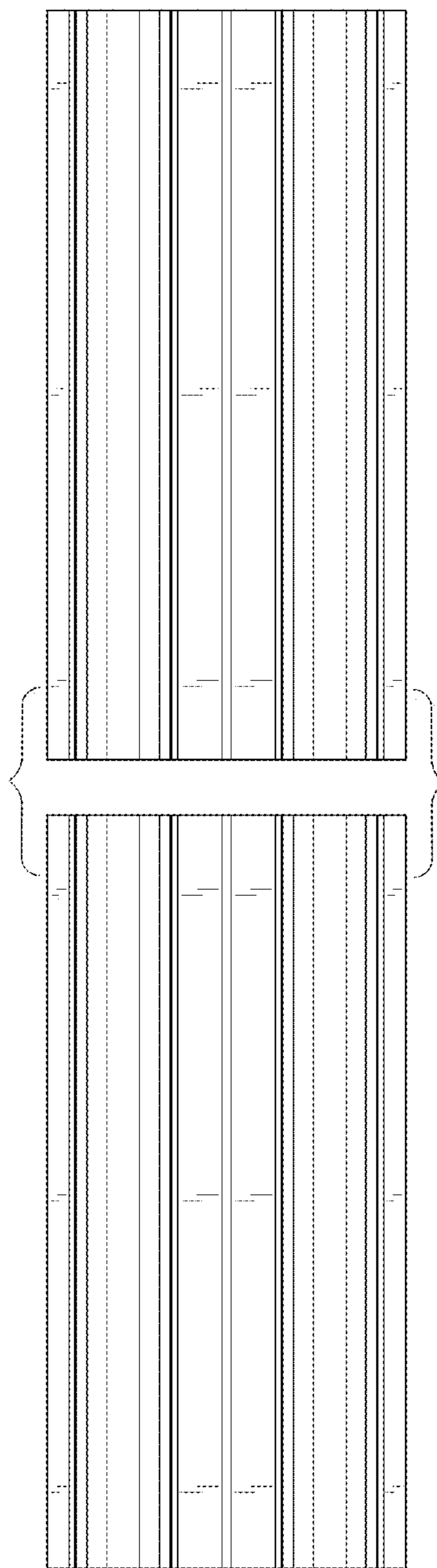


FIG. 7