



US00D720473S

(12) **United States Design Patent**  
**Knox**

(10) **Patent No.:** **US D720,473 S**

(45) **Date of Patent:** **\*\* Dec. 30, 2014**

(54) **INTERLOCKING SIDING PANEL**

(71) Applicant: **Rustique Enterprises, Inc.**, O'Fallon,  
MO (US)

(72) Inventor: **Dale Knox**, Warrenton, MO (US)

(73) Assignee: **Rustique Enterprises, Inc.**, O'Fallon,  
MO (US)

(\*\*) Term: **14 Years**

(21) Appl. No.: **29/449,449**

(22) Filed: **Mar. 15, 2013**

(51) **LOC (10) Cl.** ..... **25-01**

(52) **U.S. Cl.**  
USPC ..... **D25/119**; D25/141

(58) **Field of Classification Search**  
USPC ..... D25/138, 119, 141, 144; 52/578, 588.1,  
52/590.2, 483.1, 520, 536, 539  
See application file for complete search history.

(56) **References Cited**

**U.S. PATENT DOCUMENTS**

4,189,885	A	2/1980	Fritz	
5,016,415	A	5/1991	Kellis	
5,090,174	A	2/1992	Fragale	
5,185,193	A *	2/1993	Phenicie et al.	428/57
5,878,543	A *	3/1999	Mowery	52/519
6,834,468	B1 *	12/2004	Kroie	52/590.2
D661,819	S *	6/2012	Rider	D25/119
2002/0029537	A1	3/2002	Manning et al.	
2006/0059836	A1 *	3/2006	Monsieur	52/588.1

2006/0075712	A1	4/2006	Gilbert et al.
2006/0272257	A1	12/2006	Hobbie
2007/0119107	A1	5/2007	Shaw et al.
2007/0193177	A1	8/2007	Wilson et al.

\* cited by examiner

*Primary Examiner* — Doris Clark

(74) *Attorney, Agent, or Firm* — Thompson Coburn LLP

(57) **CLAIM**

The ornamental design for an interlocking siding panel, as shown and described.

**DESCRIPTION**

FIG. 1 is a perspective view of the interlocking siding panel showing my new design;

FIG. 2 is an alternate perspective view of the siding panel of FIG. 1;

FIG. 3 is an alternate perspective view of the siding panel of FIG. 1;

FIG. 4 is an alternate perspective view of the siding panel of FIG. 1;

FIG. 5 is a top view of the siding panel of FIG. 1;

FIG. 6 is a bottom view of the siding panel of FIG. 1;

FIG. 7 is a left side view of the siding panel of FIG. 1;

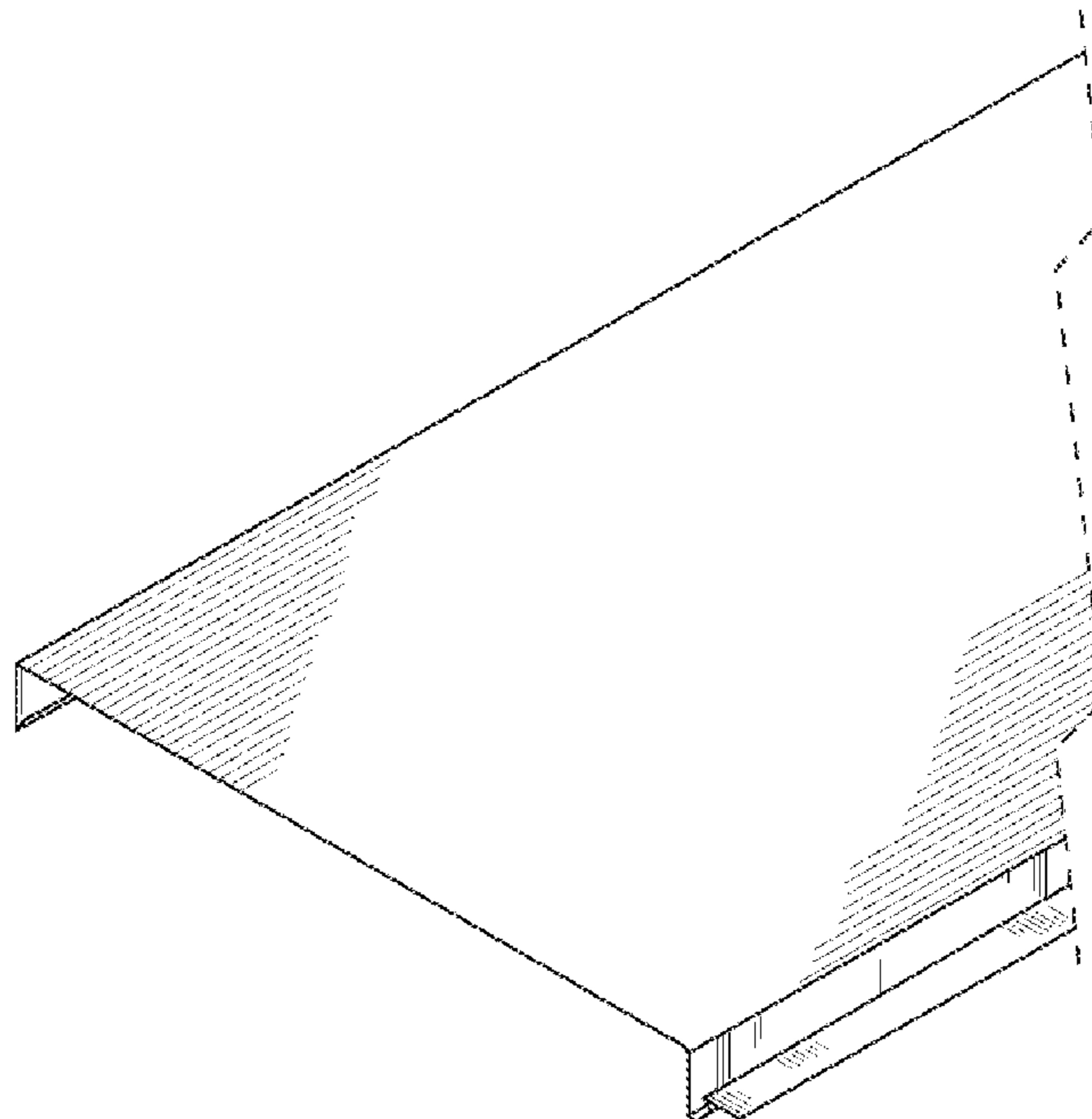
FIG. 8 is a right side view of the siding panel of FIG. 1;

FIG. 9 is a front view of the siding panel of FIG. 1; and,

FIG. 10 is a rear view of the siding panel of FIG. 1.

The drawings show surface shading which forms no part of the claimed design. The panel may be of any length. The drawings contain break lines which do not form any part of the claimed design but are used to illustrate that the panel may be any length.

**1 Claim, 2 Drawing Sheets**



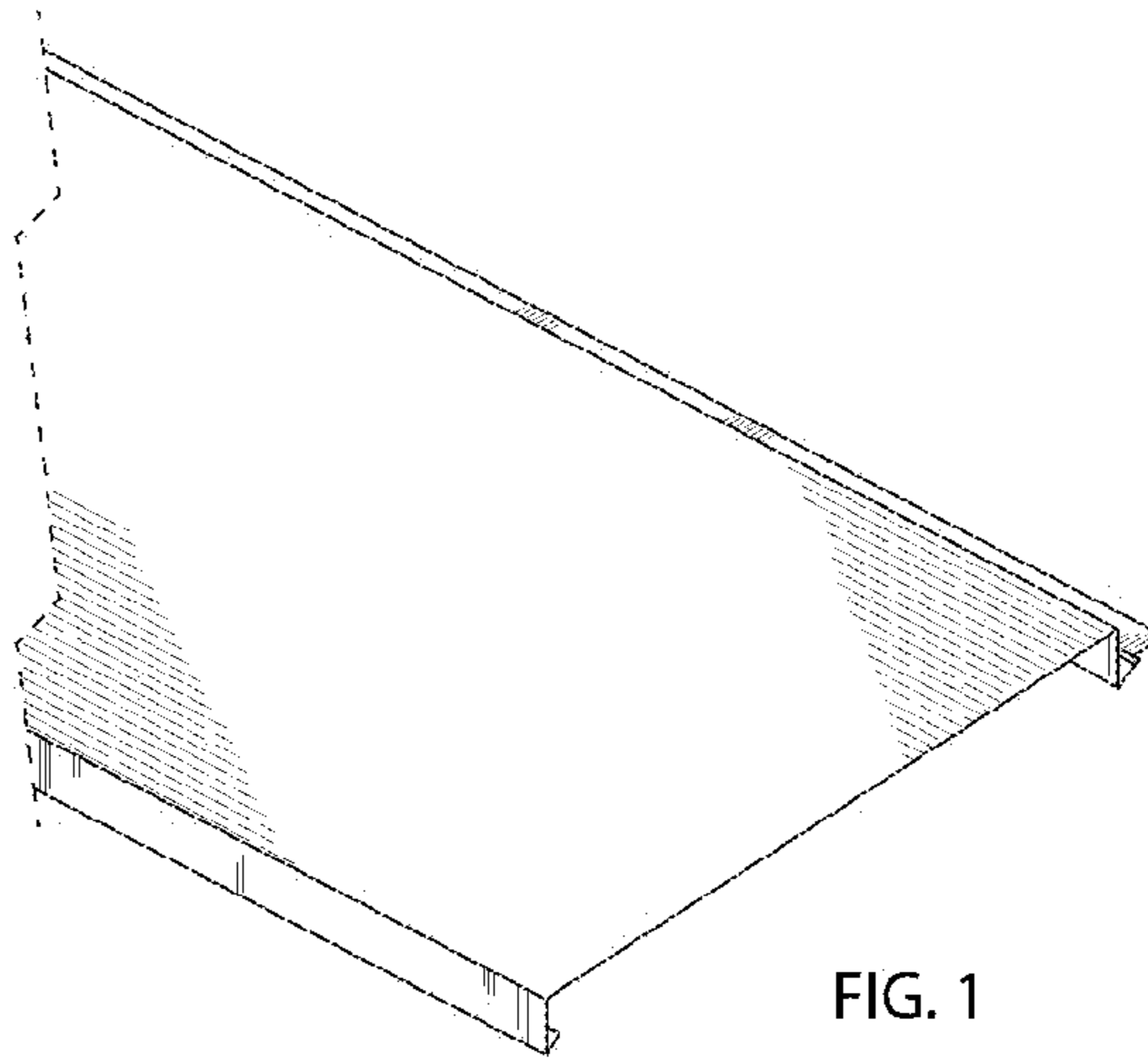


FIG. 1

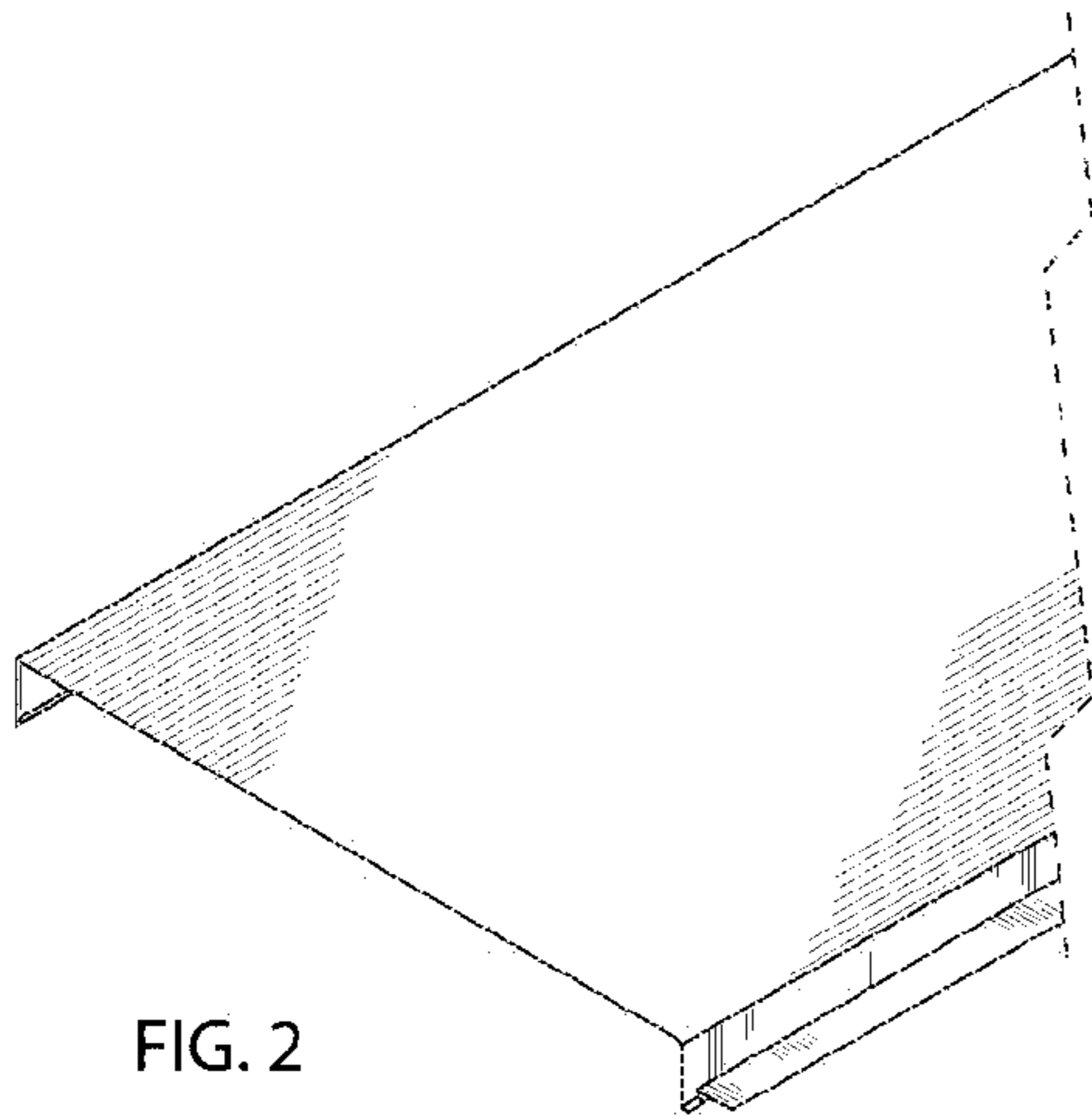


FIG. 2

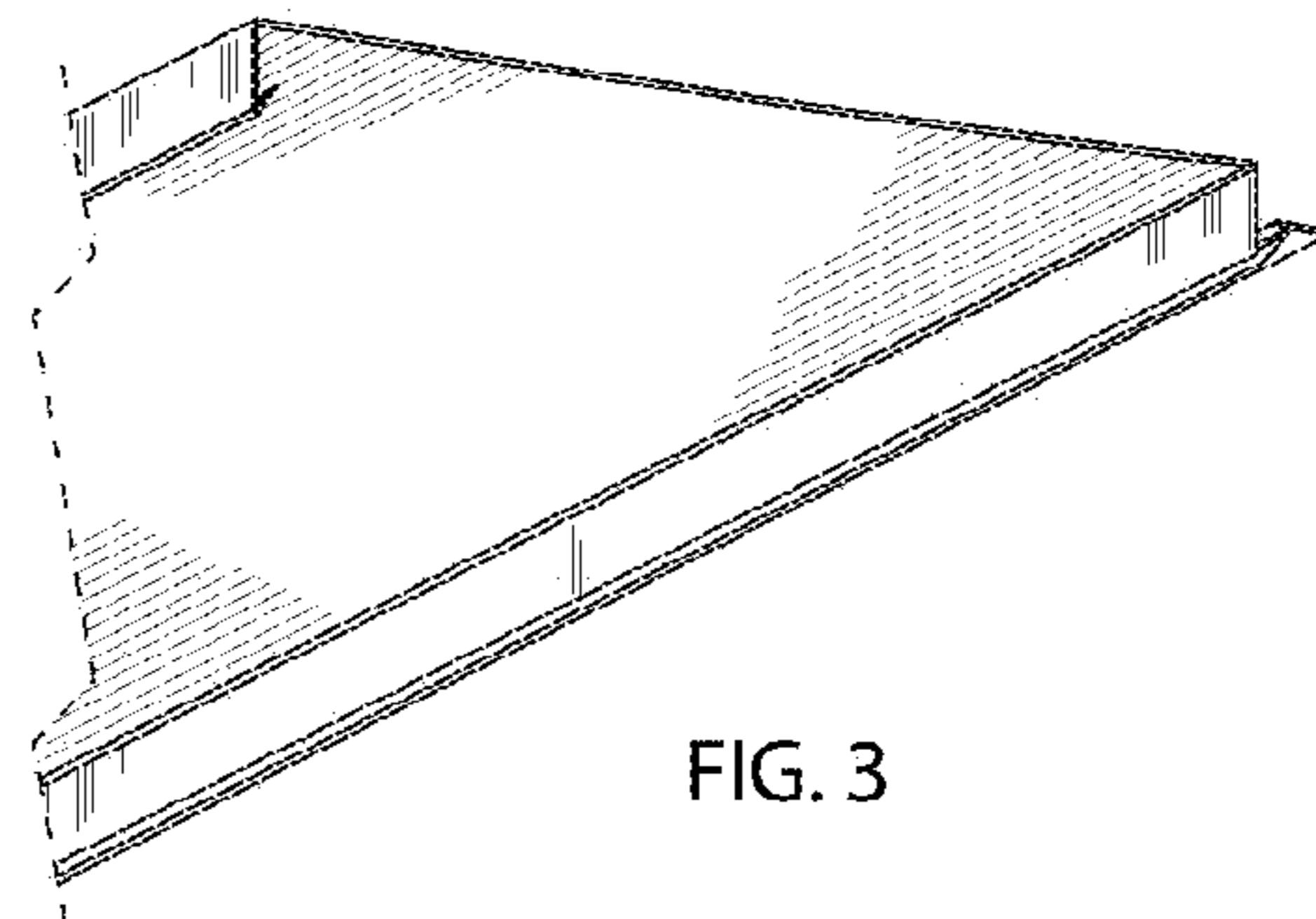


FIG. 3

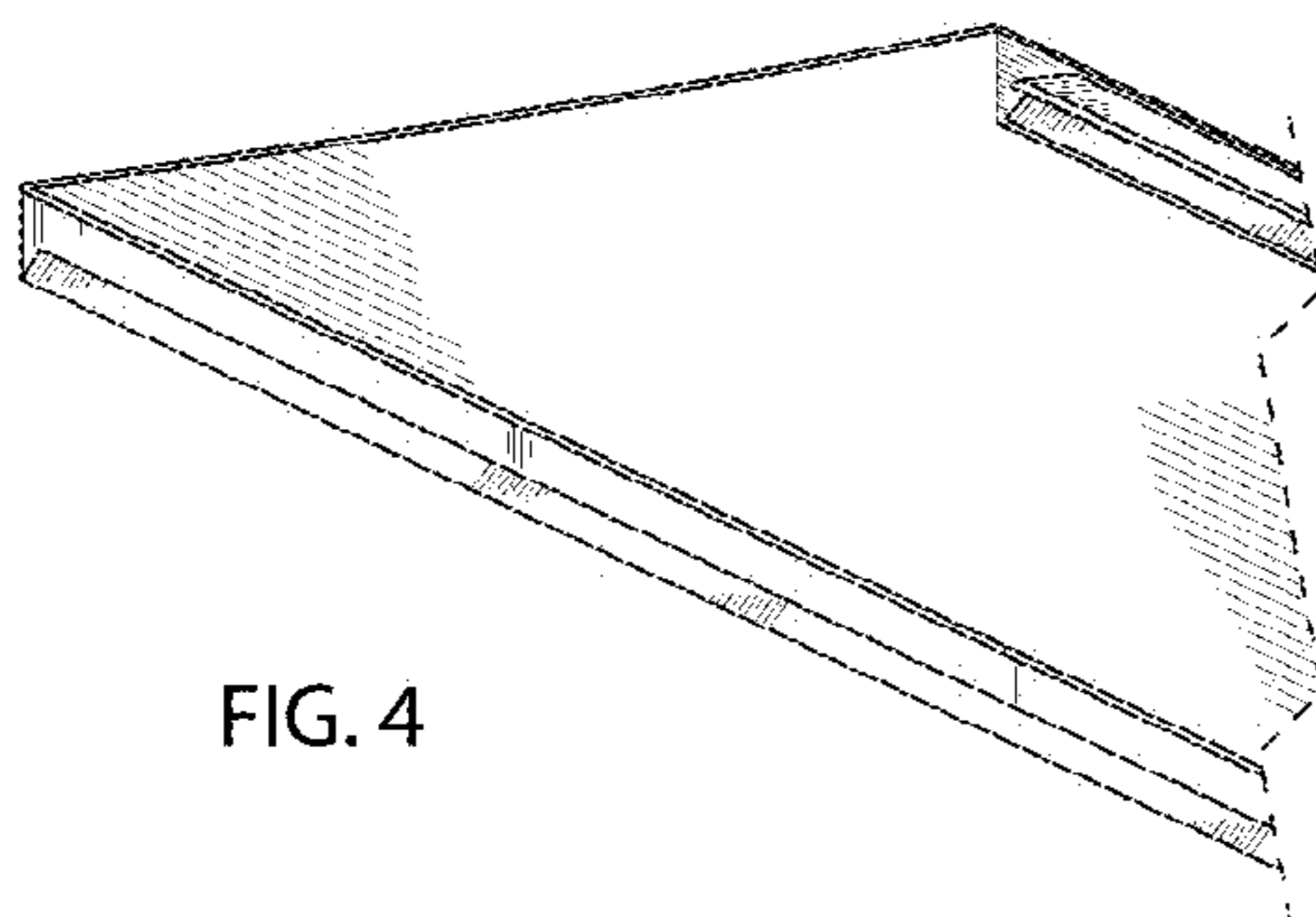


FIG. 4



FIG. 10



FIG. 7

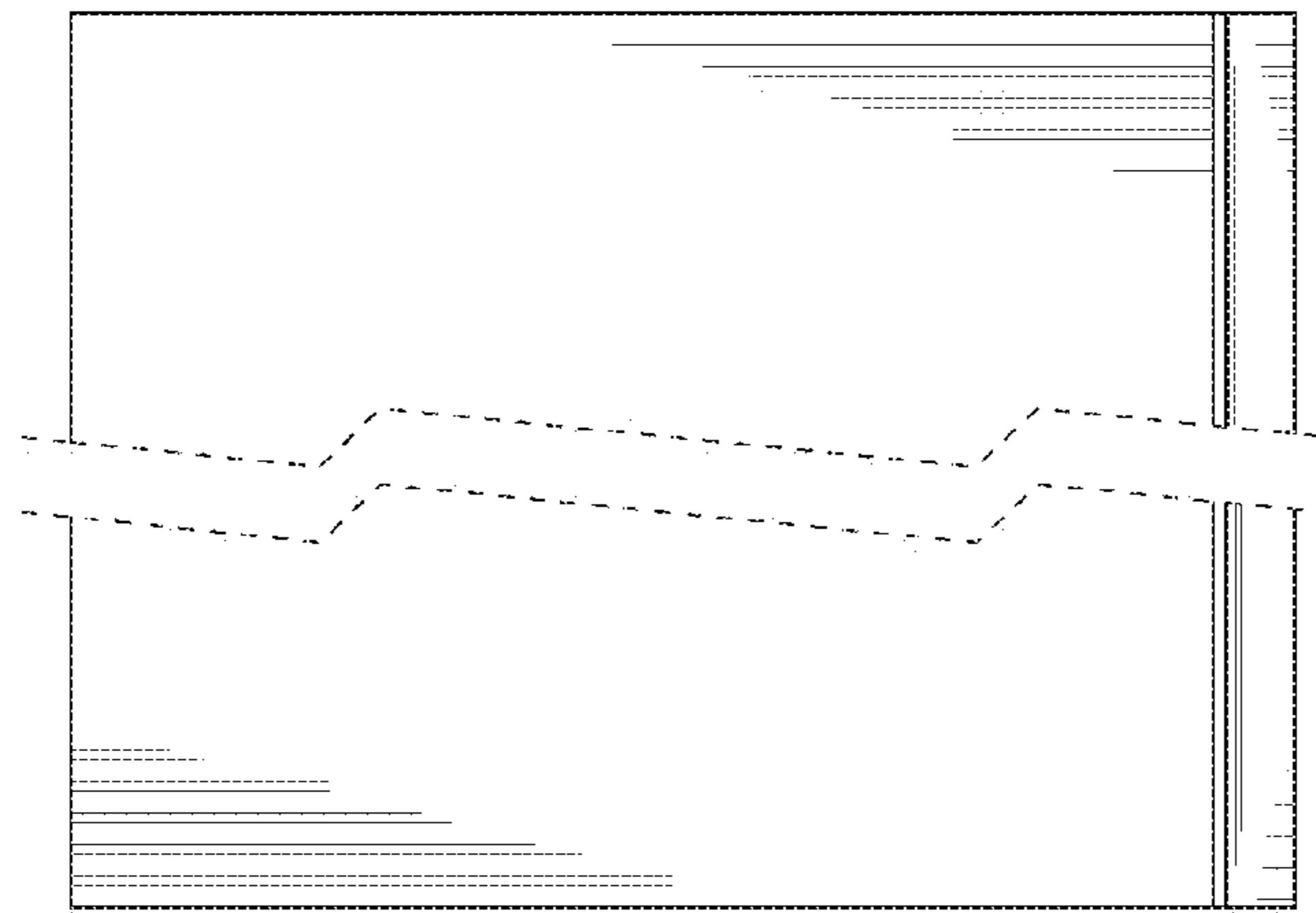


FIG. 6



FIG. 8

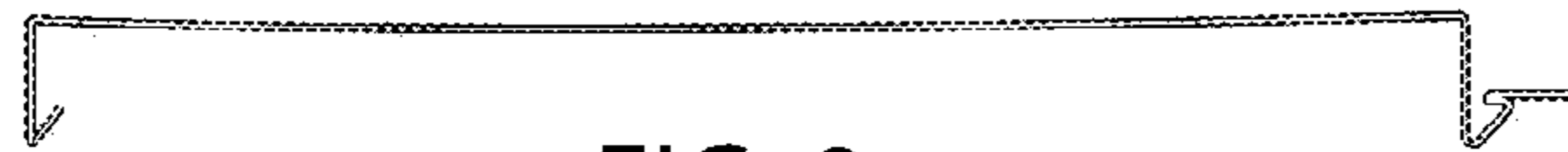


FIG. 9

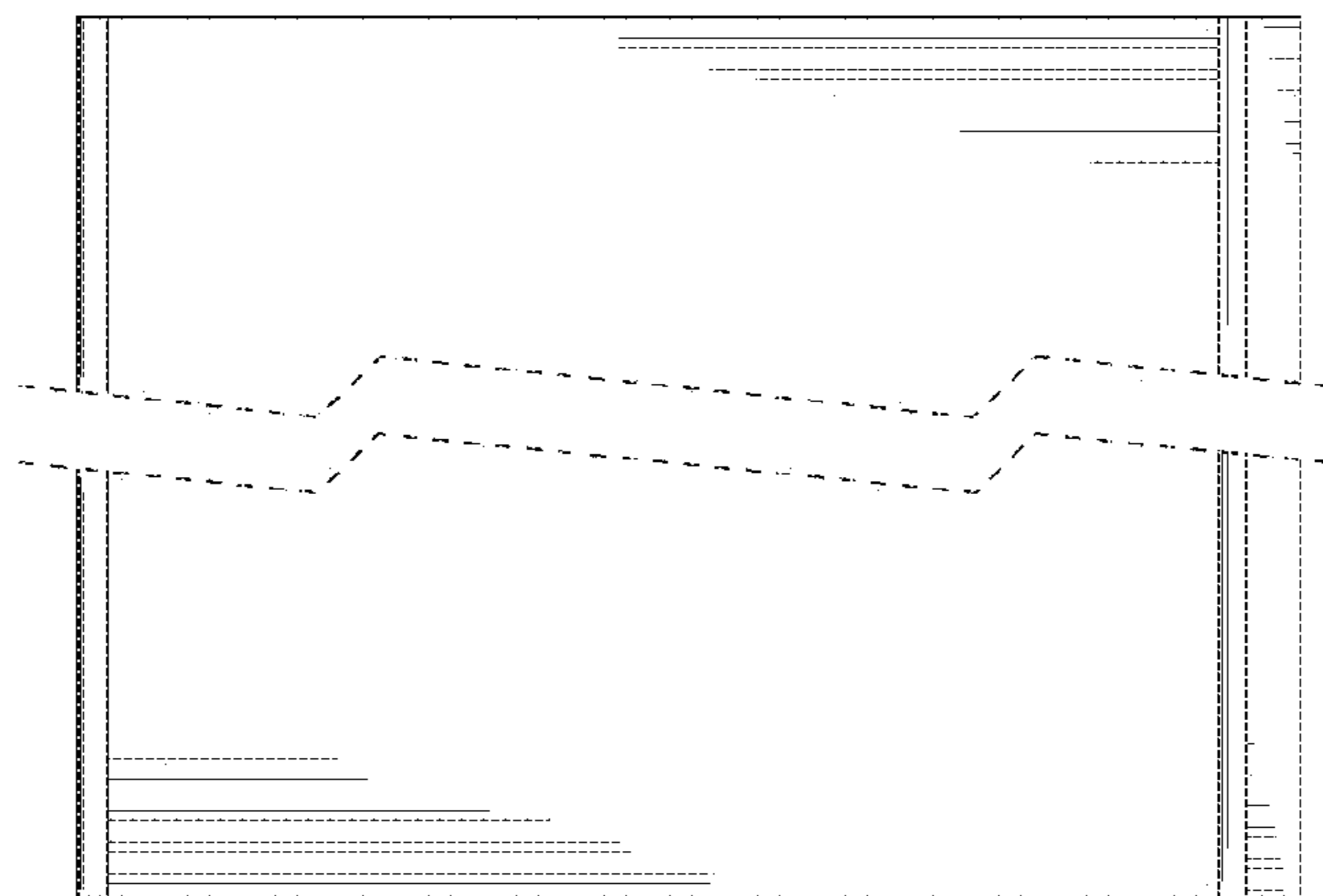


FIG. 5