



US00D720471S

(12) **United States Design Patent**
Angel et al.

(10) **Patent No.:** **US D720,471 S**

(45) **Date of Patent:** **** Dec. 30, 2014**

(54) **CATHETER TRAY ASSEMBLY**

(71) Applicant: **Bio2 Medical, Inc.**, San Antonio, TX (US)

(72) Inventors: **Luis F. Angel**, San Antonio, TX (US);
Bradley Cunningham, Denver, CO (US);
Thomas Mullen, Littleton, CO (US)

(73) Assignee: **Bio2 Medical, Inc.**, Golden, CO (US)

(**) Term: **14 Years**

(21) Appl. No.: **29/441,647**

(22) Filed: **Jan. 8, 2013**

(51) **LOC (10) Cl.** **24-02**

(52) **U.S. Cl.**
USPC **D24/229**

(58) **Field of Classification Search**
USPC D24/127, 130, 112-113, 186, 133;
606/181, 185; 604/533, 534, 284, 115,
604/19, 48, 164.01-164.09; 600/226,
600/372-374, 585, 114; 128/200.24,
128/207.14, 207.15

See application file for complete search history.

(56) **References Cited**

U.S. PATENT DOCUMENTS

6,068,121	A *	5/2000	McGlinch	206/364
D471,641	S *	3/2003	McMichael et al.	D24/229
D480,816	S *	10/2003	McMichael et al.	D24/229
7,401,703	B2 *	7/2008	McMichael et al.	206/570
D609,819	S *	2/2010	Tomes et al.	D24/227
D650,912	S *	12/2011	Tomes et al.	D24/227
8,584,849	B2 *	11/2013	McCaffrey	206/364
8,678,190	B2 *	3/2014	Tomes et al.	206/571

* cited by examiner

Primary Examiner — Robert Delehanty

(74) *Attorney, Agent, or Firm* — David G. Rosenbaum; Rosenbaum IP, P.C.

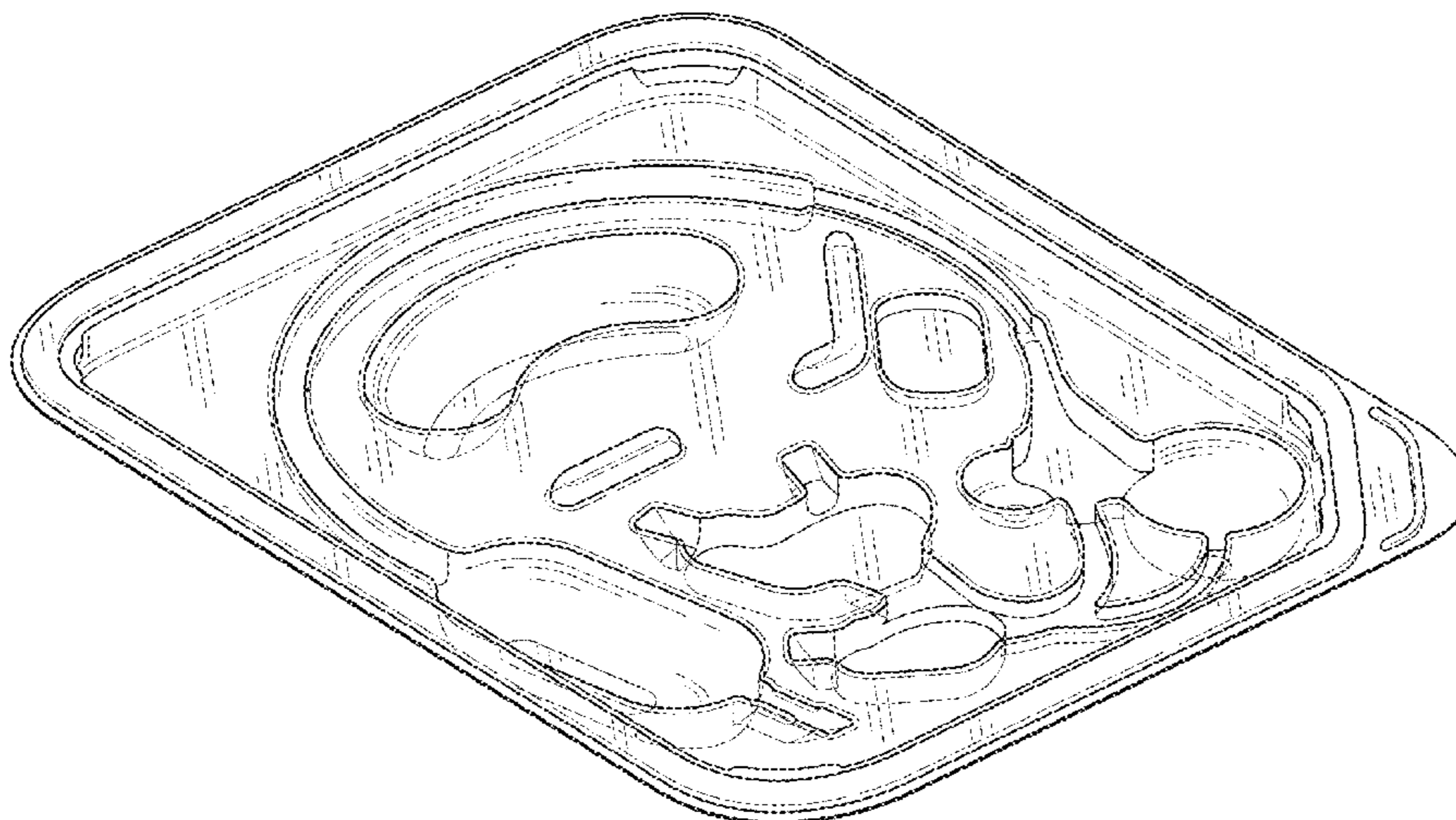
(57) **CLAIM**

The ornamental design for a catheter tray assembly, as shown and described.

DESCRIPTION

FIG. 1 is a perspective view bottom tray component of the inventive design of a catheter tray assembly in accordance with design of the present invention;
 FIG. 2 is first side elevational view thereof;
 FIG. 3 is second side elevational view thereof;
 FIG. 4 is a first end elevational view thereof;
 FIG. 5 is second elevational view thereof;
 FIG. 6 is a top plan view of the bottom component of the catheter tray design;
 FIG. 7 is a bottom plan view of the bottom component of the catheter tray design;
 FIG. 8 is a perspective view of the top component of the catheter tray design;
 FIG. 9 is a first side elevational view thereof;
 FIG. 10 is a second side elevational view thereof;
 FIG. 11 is a first end elevational view thereof;
 FIG. 12 is a second end elevational view thereof;
 FIG. 13 is a top plan view thereof;
 FIG. 14 is a bottom plan view thereof;
 FIG. 15 is a perspective view of the catheter tray assembly in accordance with the design of the present invention, illustrating cooperation between the top tray component and the bottom tray component.
 FIG. 16 is a first side elevational view thereof;
 FIG. 17 is a second side elevational view thereof;
 FIG. 18 is a first end elevational view thereof;
 FIG. 19 is a second end elevational view thereof;
 FIG. 20 is a top plan view thereof; and,
 FIG. 21 is a bottom plan view thereof.

1 Claim, 9 Drawing Sheets



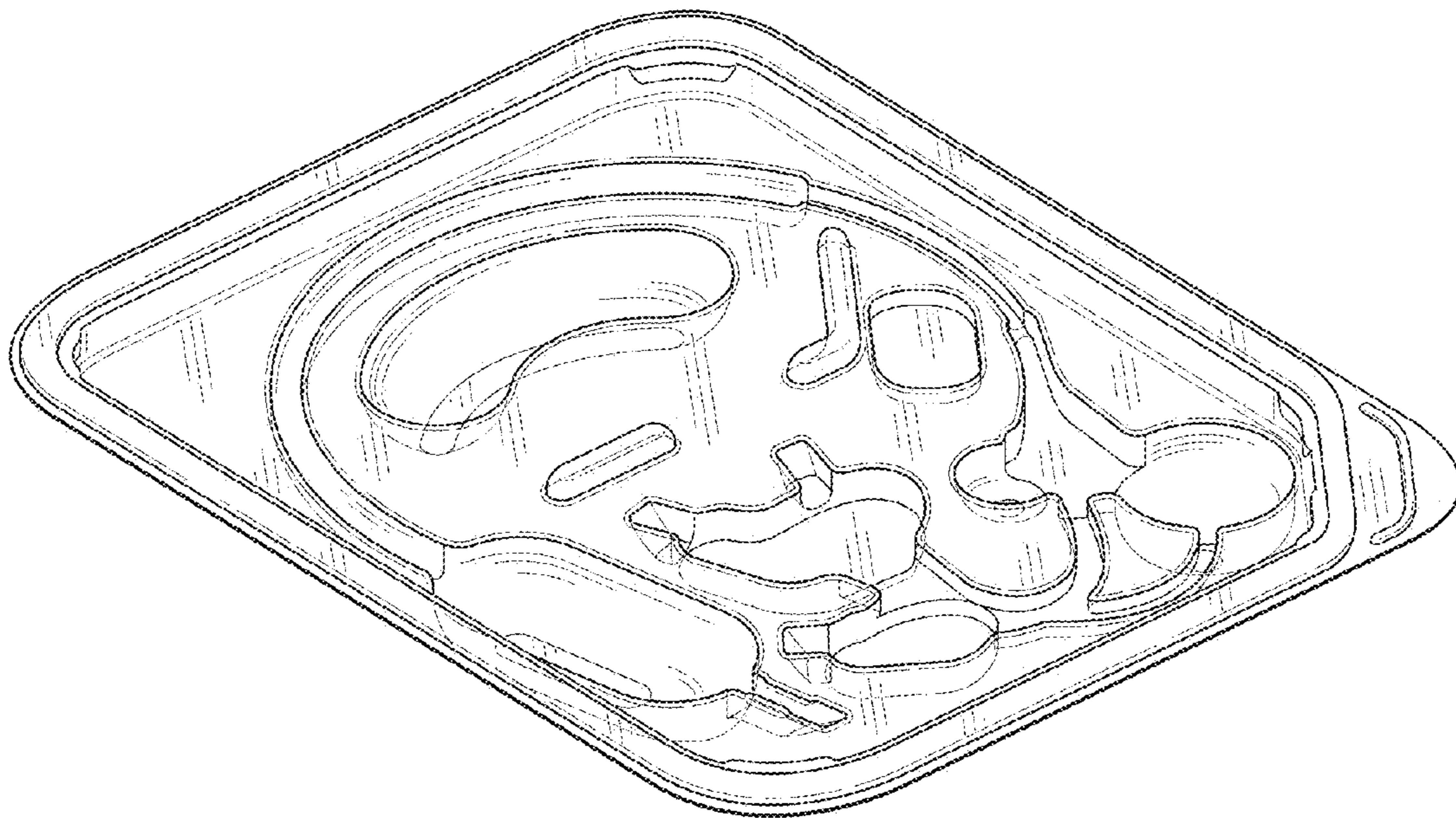


FIG. 1

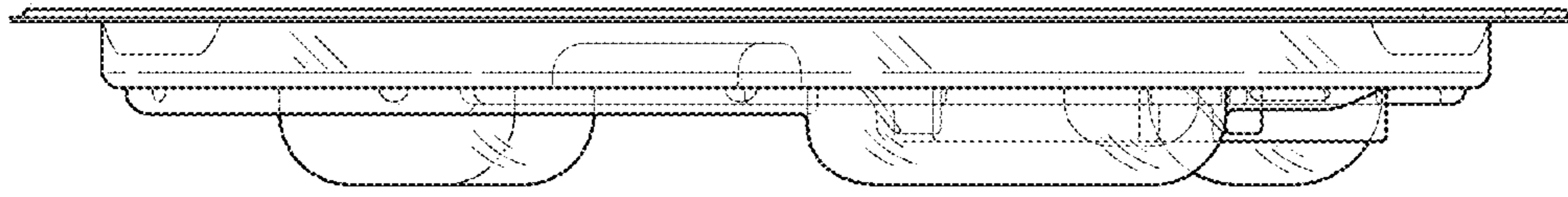


FIG. 2

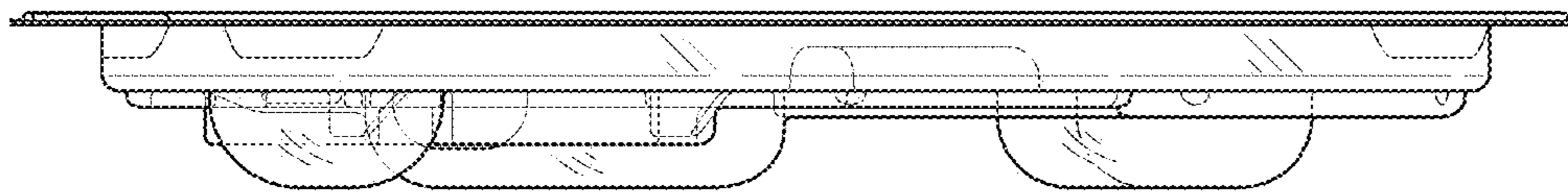


FIG. 3

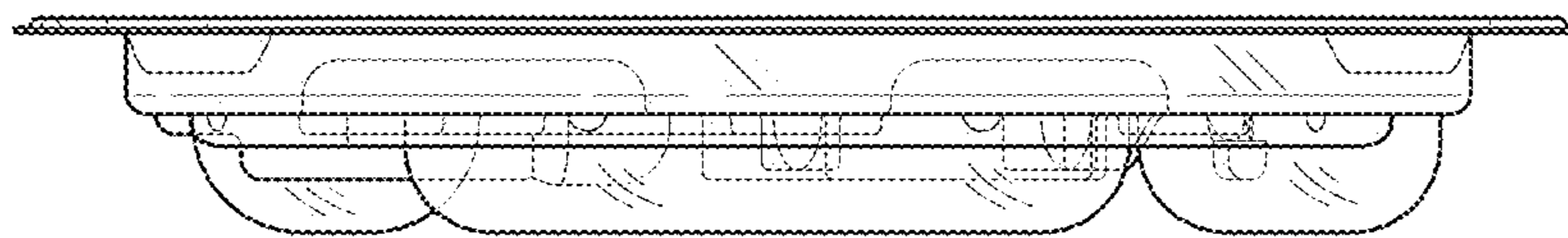


FIG. 4

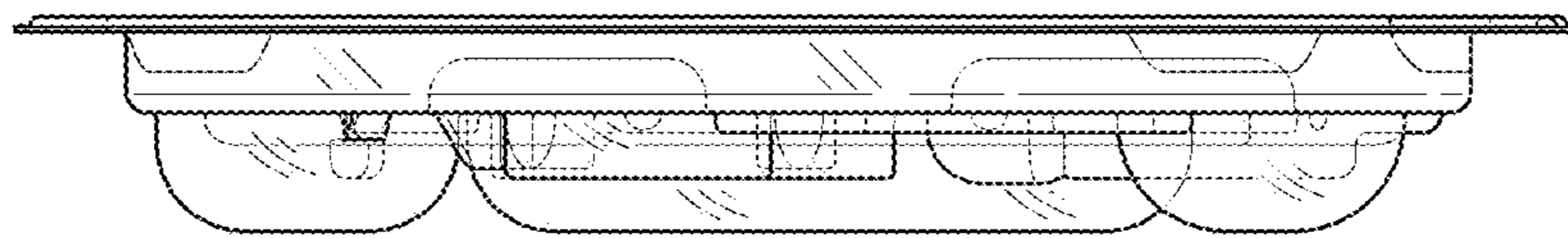


FIG. 5

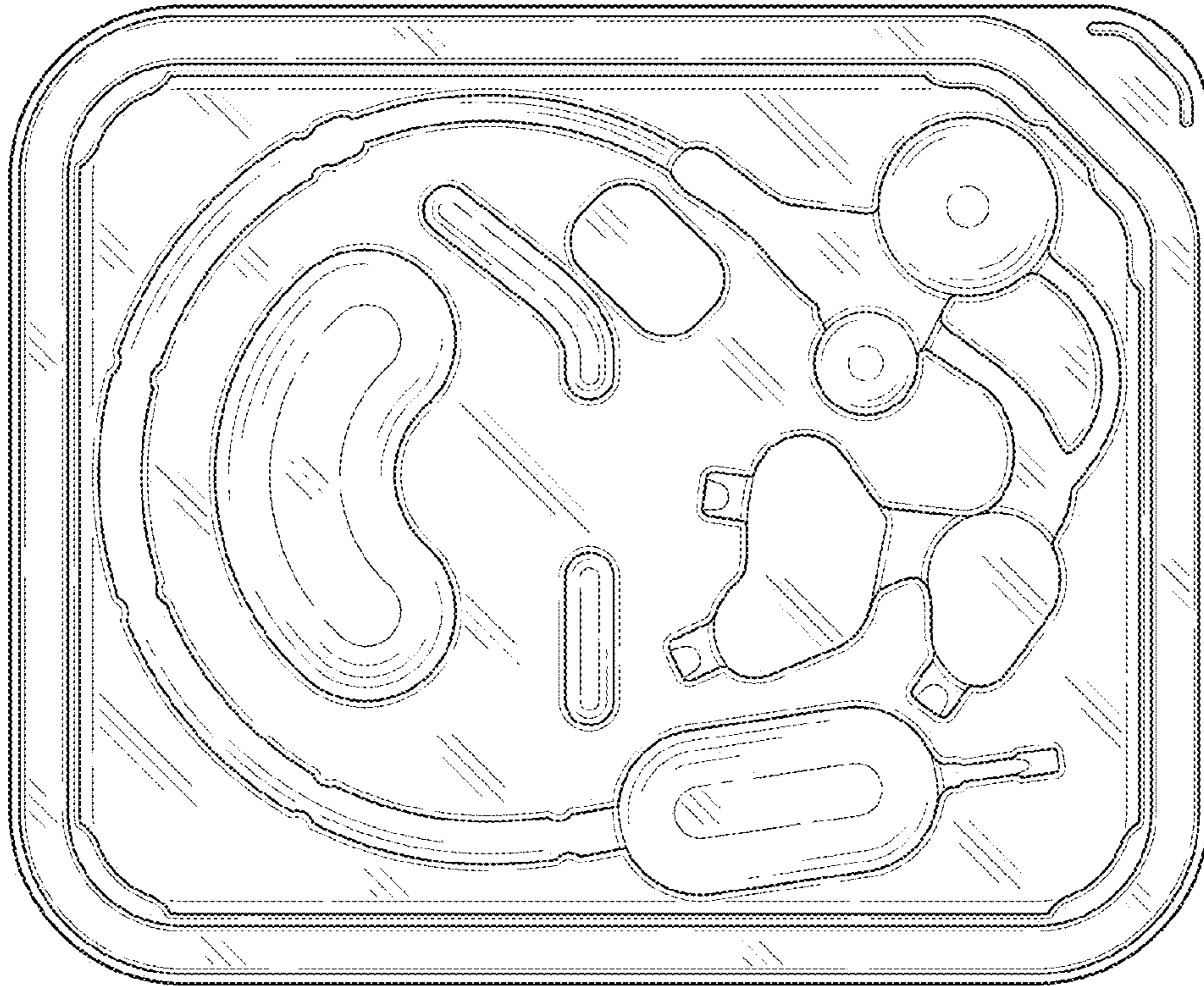


FIG. 6

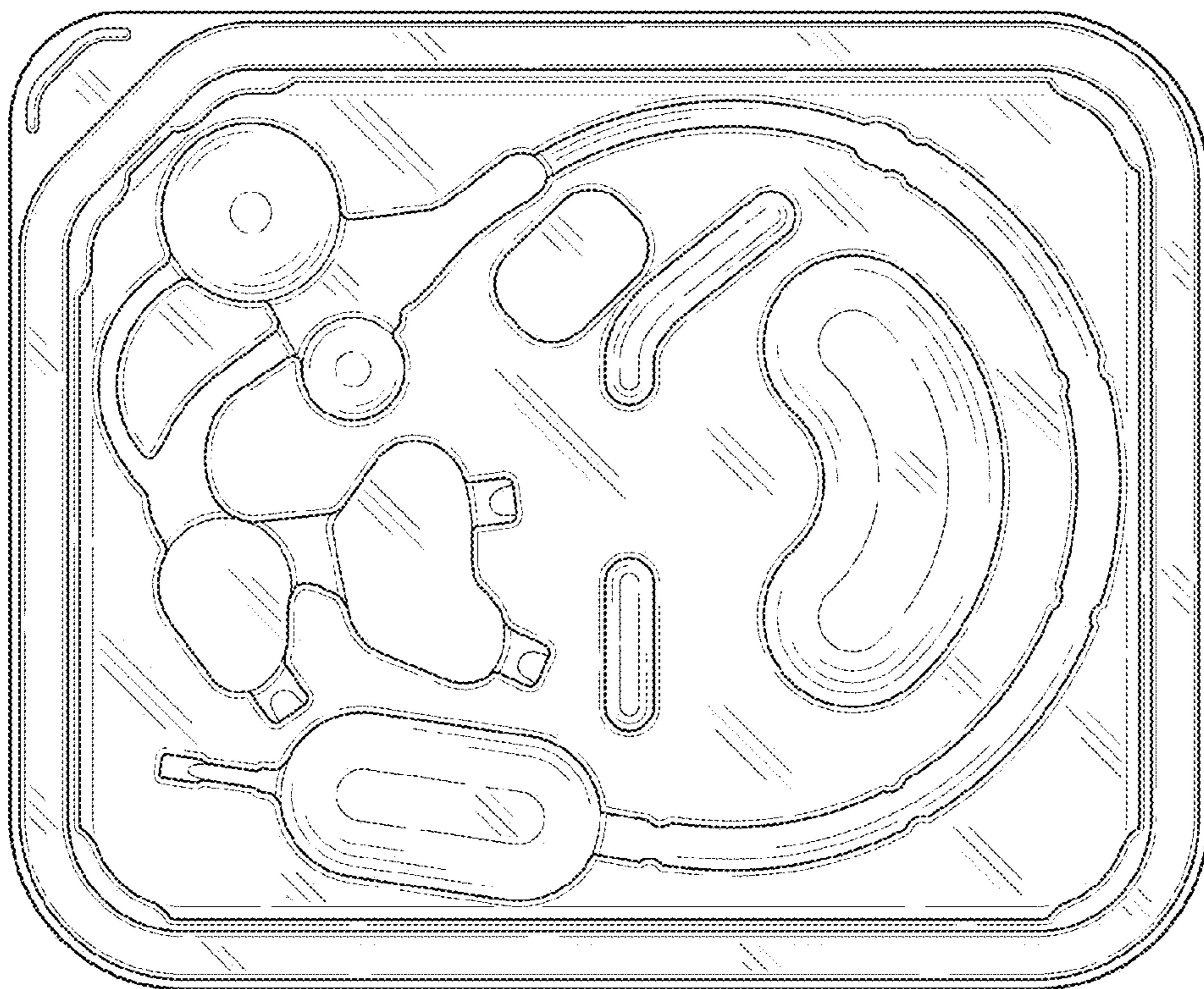


FIG. 7

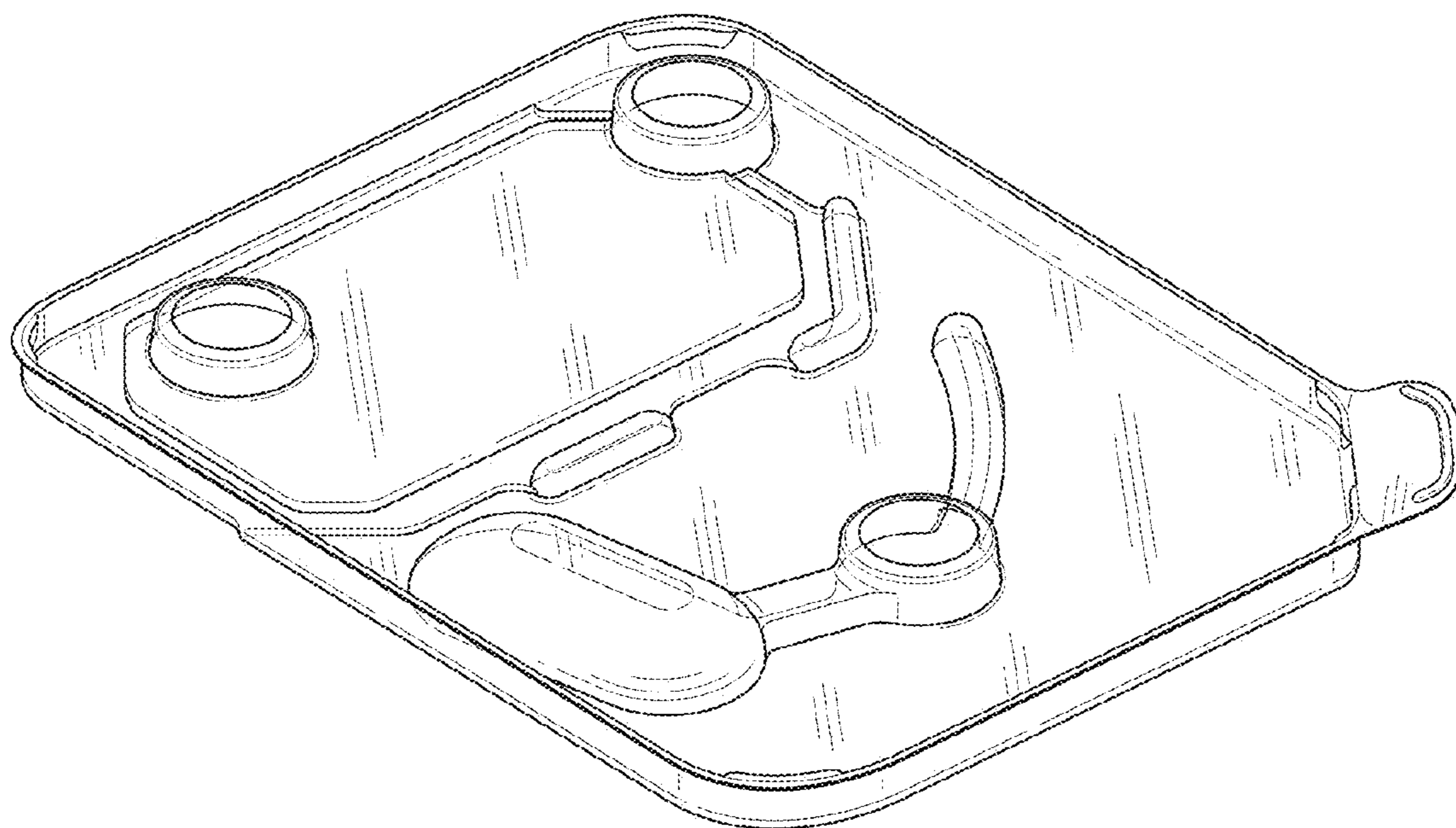


FIG. 8

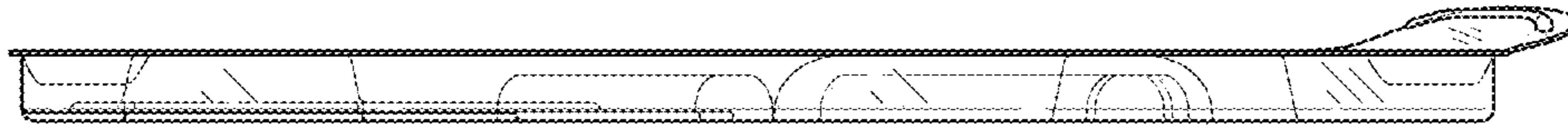


FIG. 9

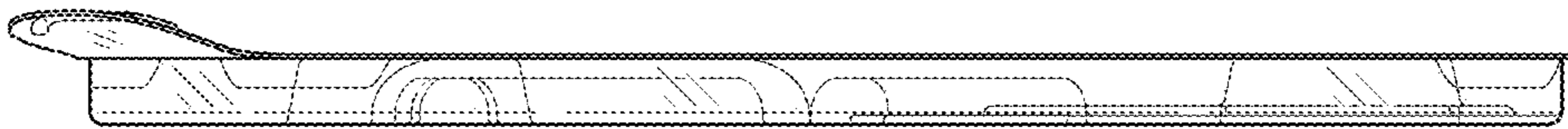


FIG. 10

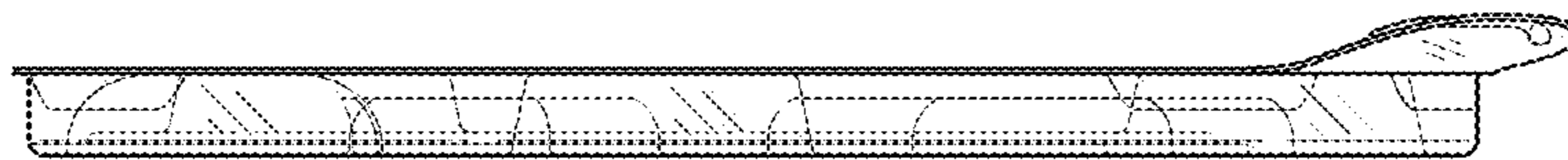


FIG. 11

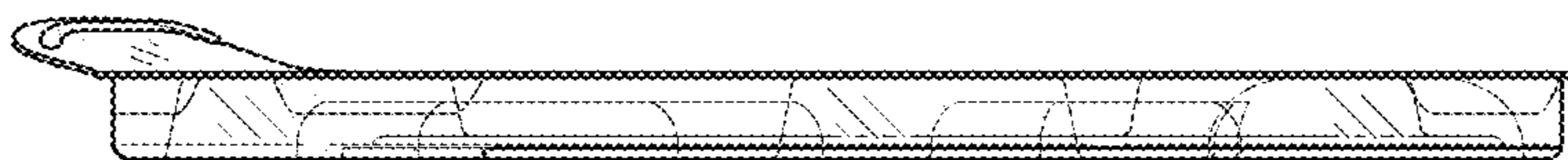


FIG. 12

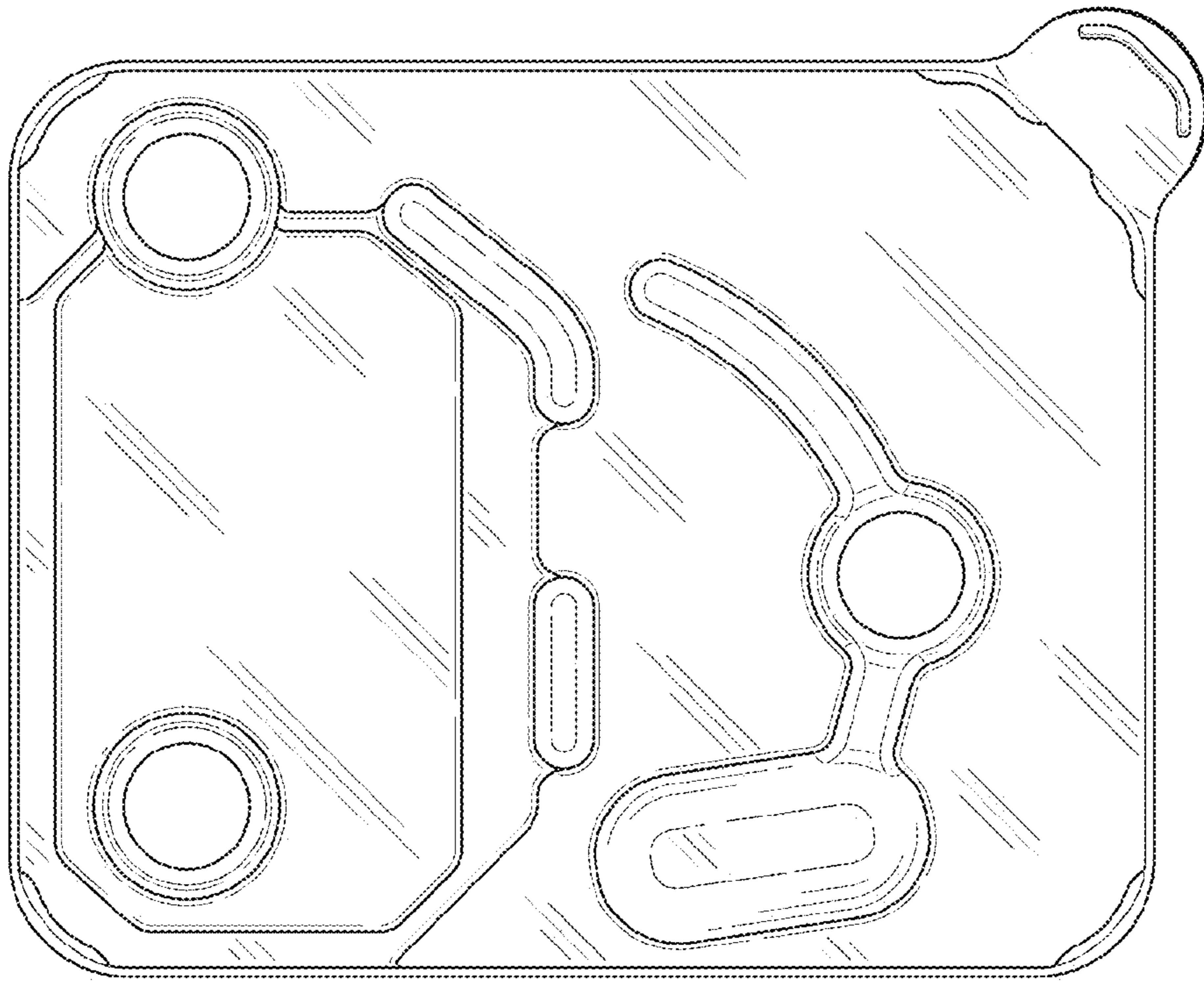


FIG. 13

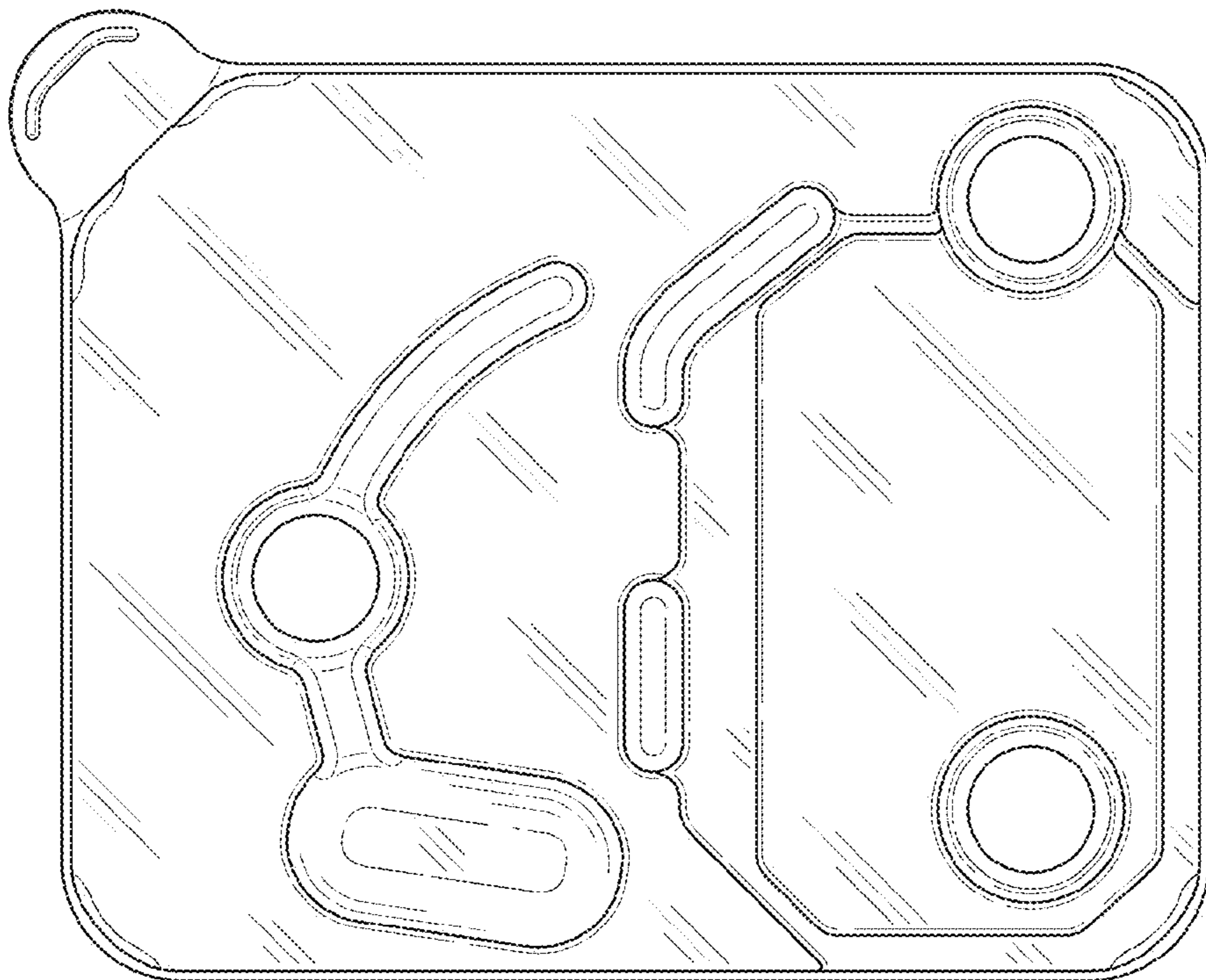


FIG. 14

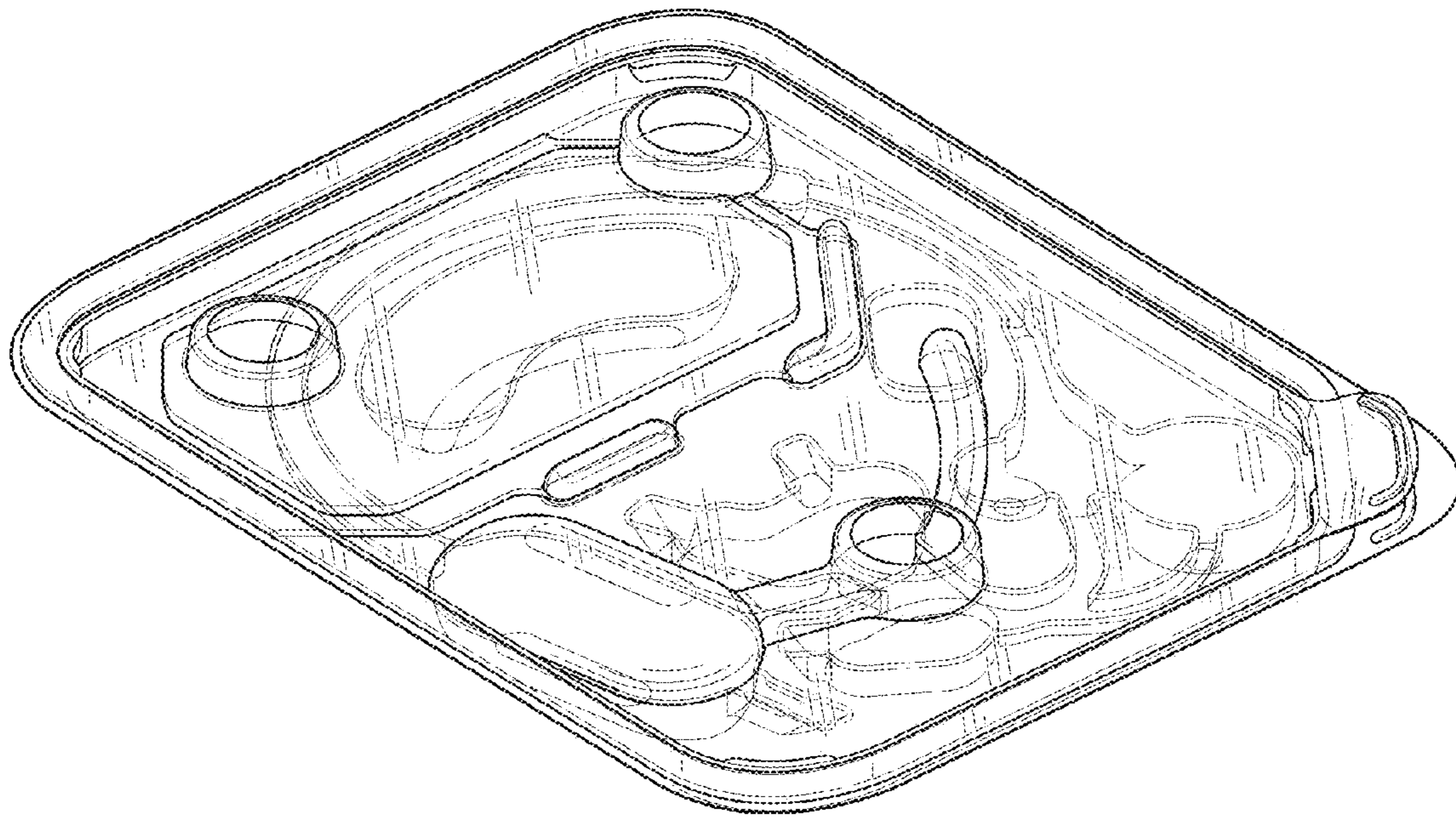


FIG. 15

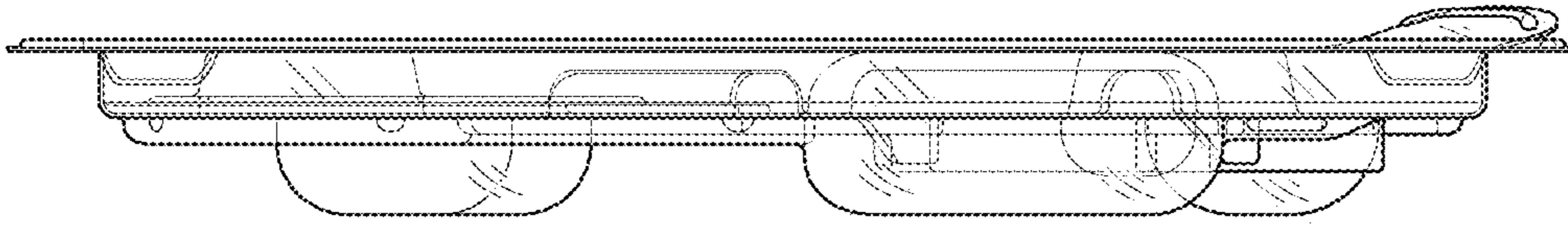


FIG. 16

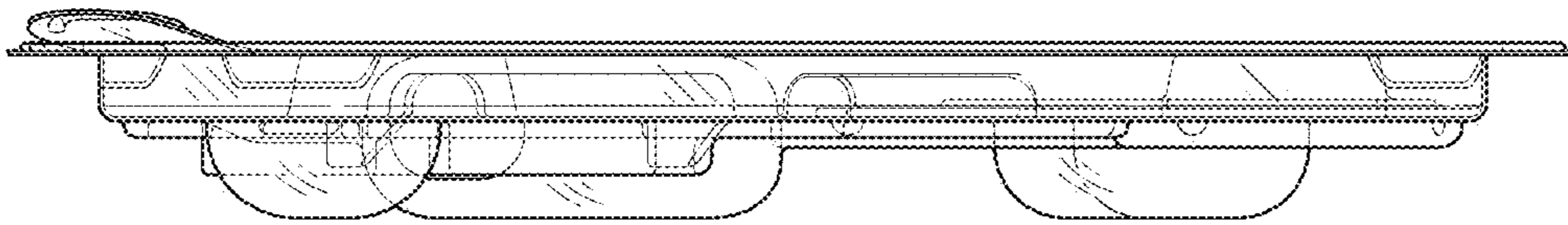


FIG. 17

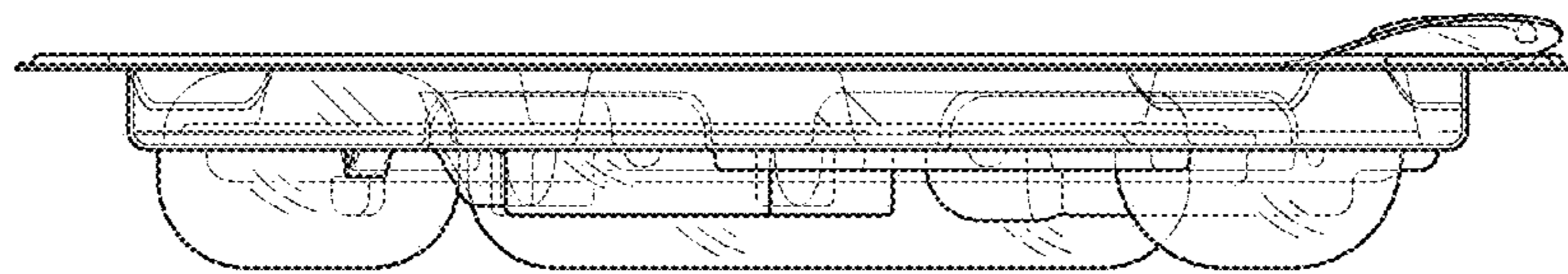


FIG. 18

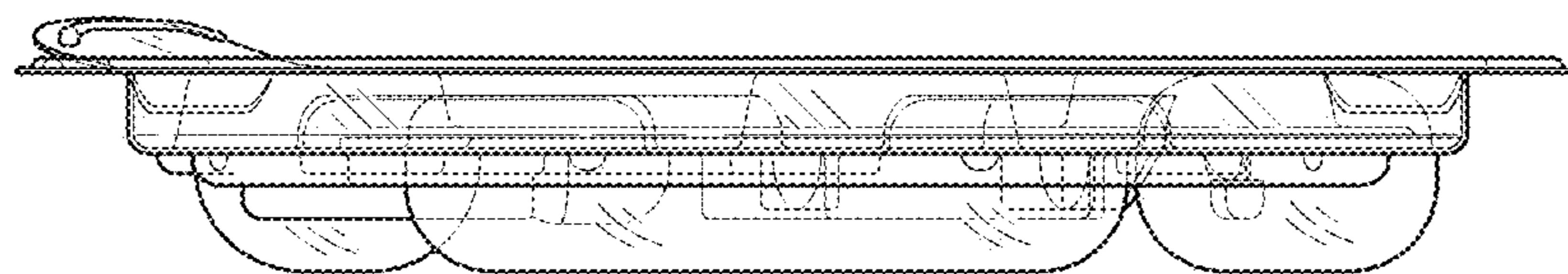


FIG. 19

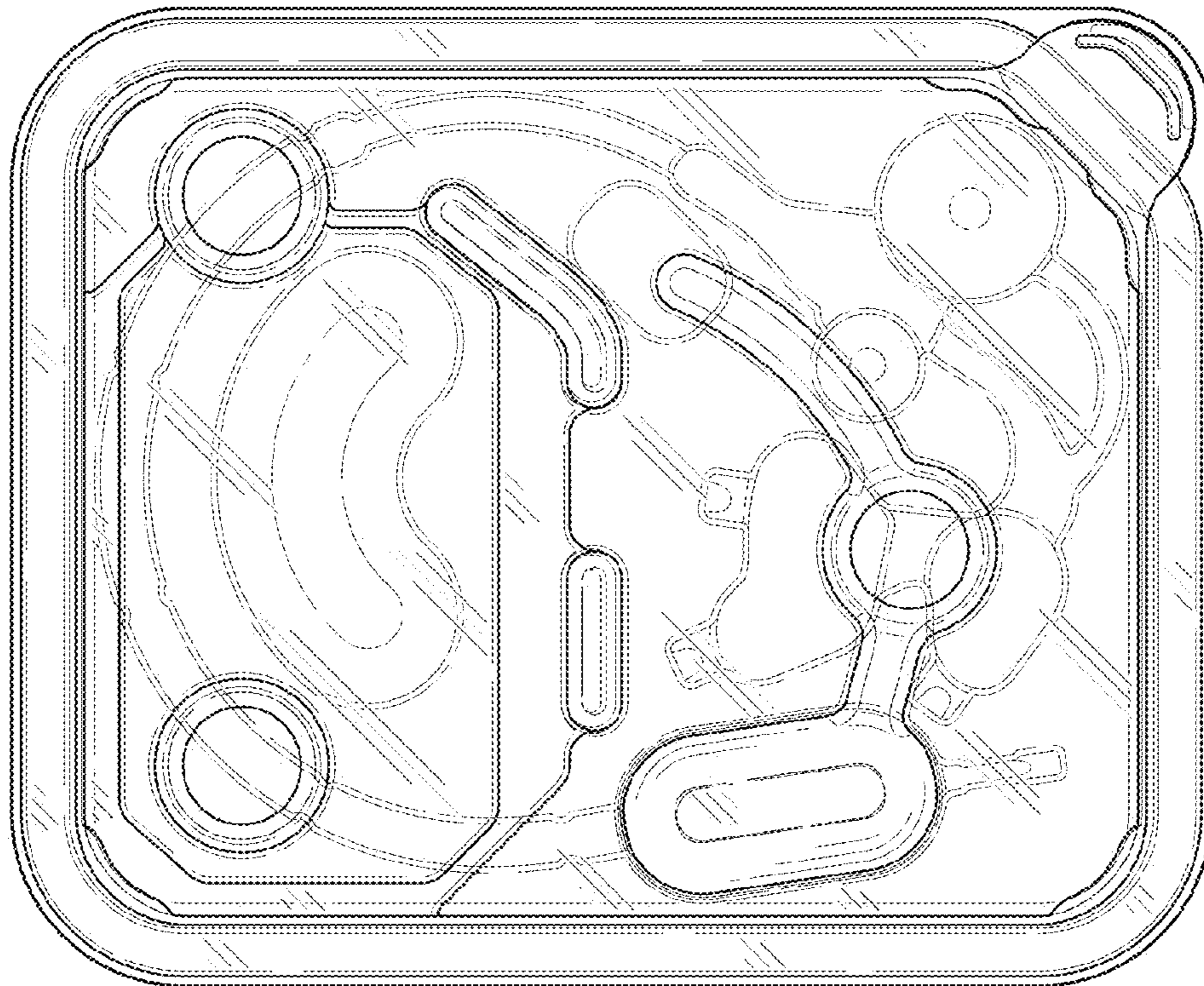


FIG. 20

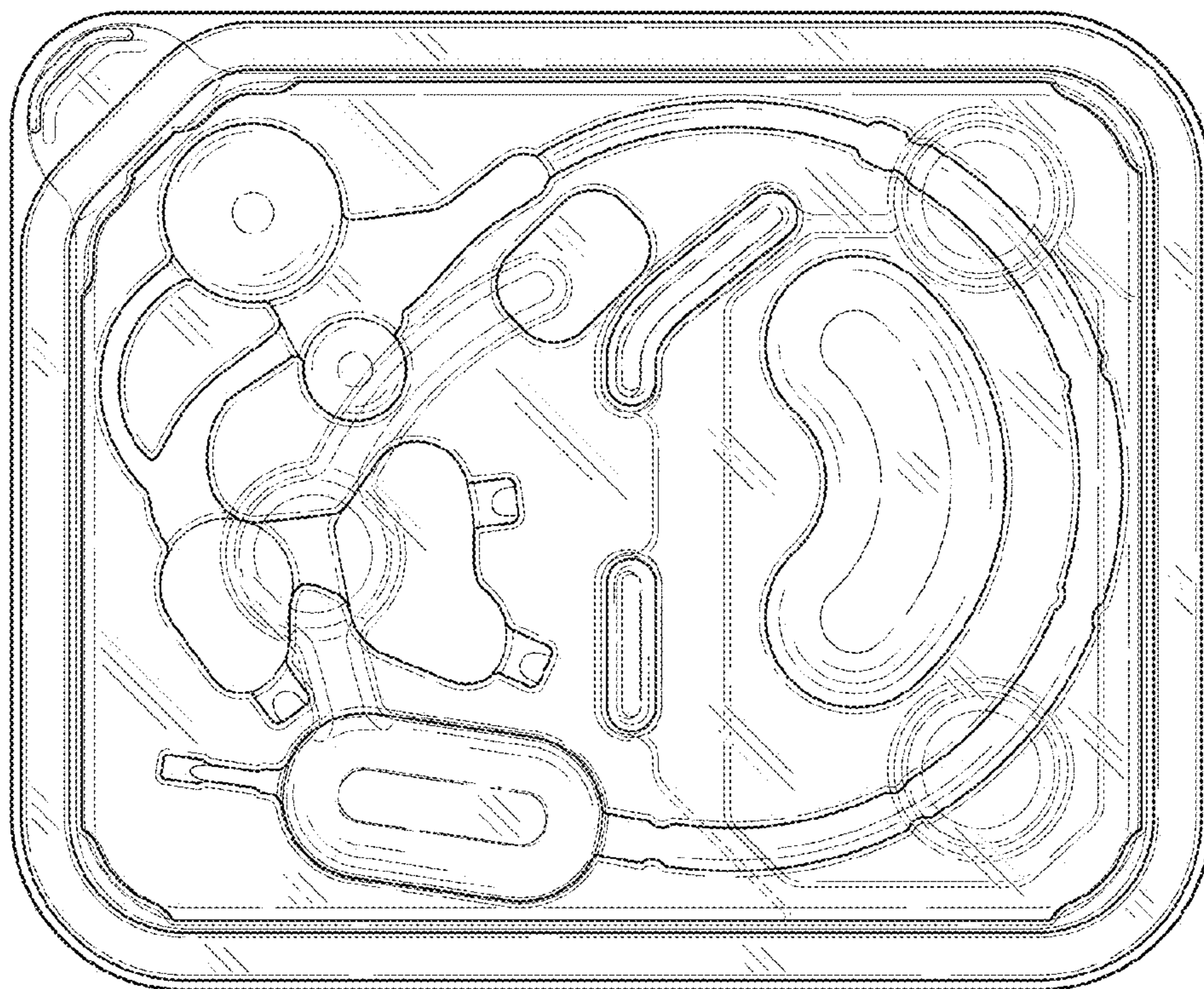


FIG. 21