



US00D720470S

(12) **United States Design Patent**
Lober

(10) **Patent No.:** **US D720,470 S**

(45) **Date of Patent:** **** Dec. 30, 2014**

- (54) **SURGICAL TRAY**
 - (71) Applicant: **OP-Marks, Inc.**, Bogart, GA (US)
 - (72) Inventor: **Stephen Bruce Lober**, Athens, GA (US)
 - (73) Assignee: **OP-Marks, Inc.**, Bogart, GA (US)
 - (**) Term: **14 Years**
 - (21) Appl. No.: **29/447,413**
 - (22) Filed: **Mar. 4, 2013**
 - (51) **LOC (10) Cl.** **24-02**
 - (52) **U.S. Cl.**
USPC **D24/227**
 - (58) **Field of Classification Search**
USPC D24/216–232, 121, 152;
D3/203.1–203.8, 304; 422/292, 300,
422/297, 400, 560–566; D9/749, 759–760,
D9/424–425, 430–432; 211/126.1;
206/557–567, 363–370, 572
- See application file for complete search history.

D423,679 S *	4/2000	Jenkins et al.	D24/227
D438,634 S *	3/2001	Merry	D24/227
D442,697 S *	5/2001	Hajianpour	D24/229
D596,311 S *	7/2009	Antons	D24/227
D608,015 S *	1/2010	Sandel	D24/227
D608,456 S *	1/2010	Sandel	D24/227
D618,821 S *	6/2010	Larsen	D24/227
D621,927 S *	8/2010	Dominguez et al.	D24/121
D625,430 S *	10/2010	Meyer-Hayoz	D24/152
D625,832 S *	10/2010	Meyer-Hayoz	D24/229
D631,558 S *	1/2011	Harmston et al.	D24/229
D636,890 S *	4/2011	Teys et al.	D24/224
D638,137 S *	5/2011	Gross et al.	D24/227
D646,796 S *	10/2011	Walter	D24/227
D650,912 S *	12/2011	Tomes et al.	D24/227
D662,218 S *	6/2012	Pittman	D24/227
D676,146 S *	2/2013	Austria	D24/227
D676,573 S *	2/2013	Austria	D24/227
D708,347 S *	7/2014	Lober	D24/227

* cited by examiner

Primary Examiner — T. Chase Nelson

Assistant Examiner — Mark Cavanna

(74) *Attorney, Agent, or Firm* — Ballard Spahr LLP

(56) **References Cited**

U.S. PATENT DOCUMENTS

D248,871 S *	8/1978	Forsman et al.	D24/230
D249,362 S *	9/1978	Forsman et al.	D24/230
D261,934 S *	11/1981	Porteous	D24/227
D276,462 S *	11/1984	Villarreal	D24/229
4,595,102 A *	6/1986	Cianci et al.	206/572
D334,973 S *	4/1993	Valentine et al.	D24/229
D337,830 S *	7/1993	Coyne et al.	D24/227
D341,428 S *	11/1993	Turner	D24/222
D343,687 S *	1/1994	Houghton et al.	D24/229
5,339,955 A *	8/1994	Horan et al.	206/370
D351,661 S *	10/1994	Fischer	D24/230
D387,177 S *	12/1997	Davis	D24/227
D402,767 S *	12/1998	Davis et al.	D24/229

(57) **CLAIM**

The ornamental design for a surgical tray, as shown and described.

DESCRIPTION

FIG. 1 is a perspective view of a surgical tray showing our new design;

FIG. 2 is a back end view of the surgical tray of FIG. 1;

FIG. 3 is a front end view of the surgical tray of FIG. 1;

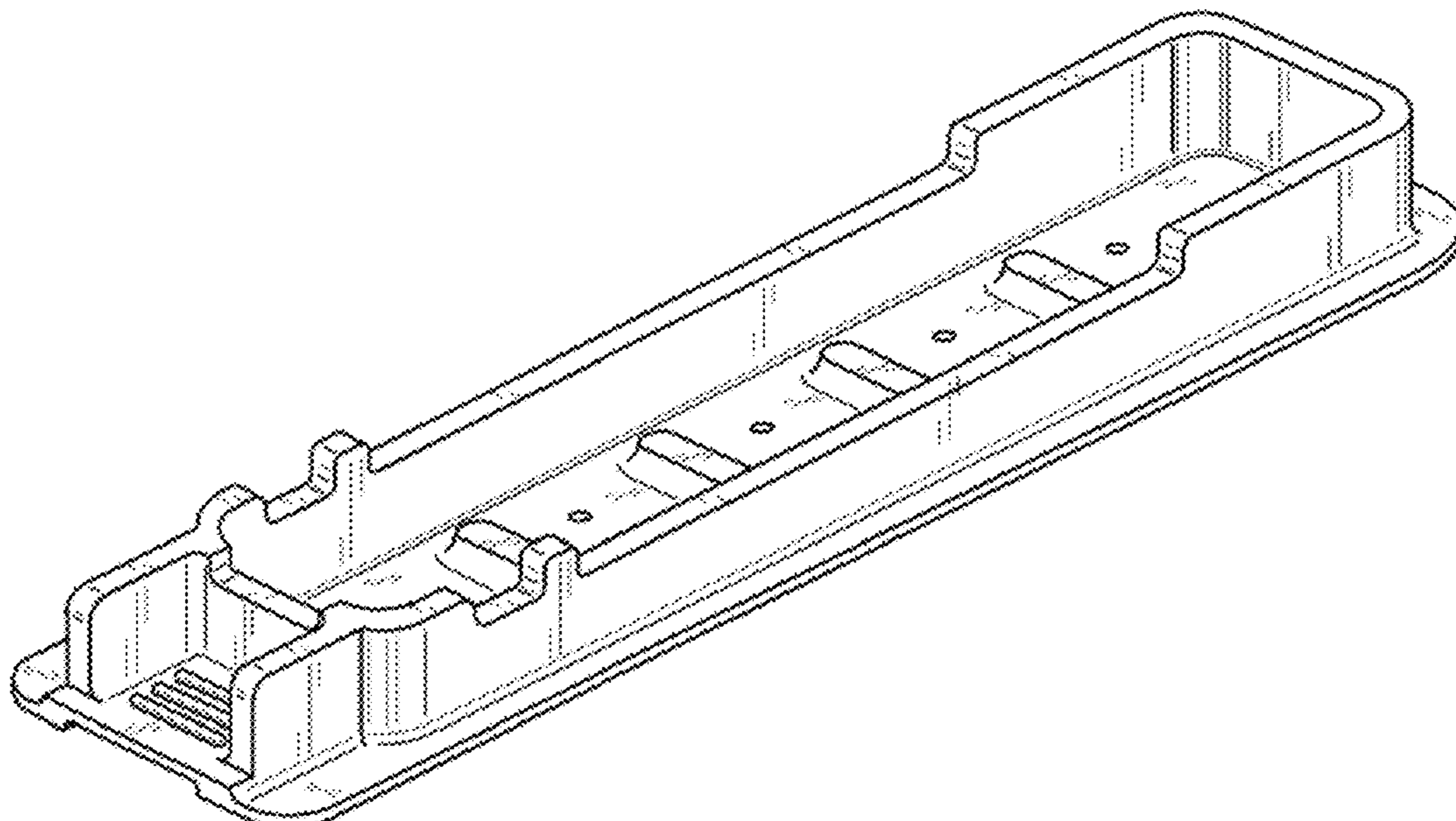
FIG. 4 is a left side view of the surgical tray of FIG. 1;

FIG. 5 is a right side view of the surgical tray of FIG. 1;

FIG. 6 is a top view of the surgical tray of FIG. 1; and,

FIG. 7 is a bottom view of the surgical tray of FIG. 1.

1 Claim, 7 Drawing Sheets



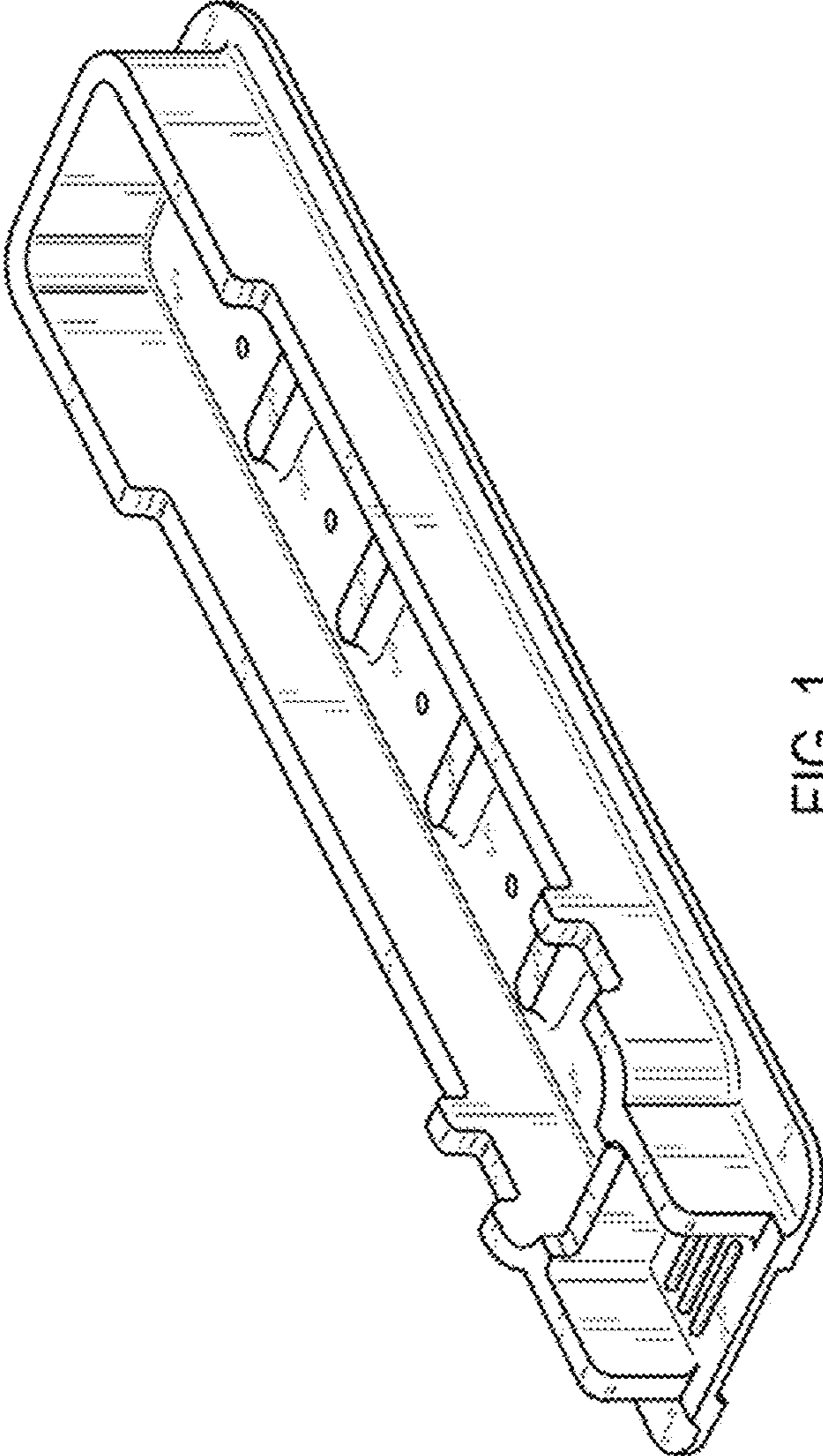


FIG. 1

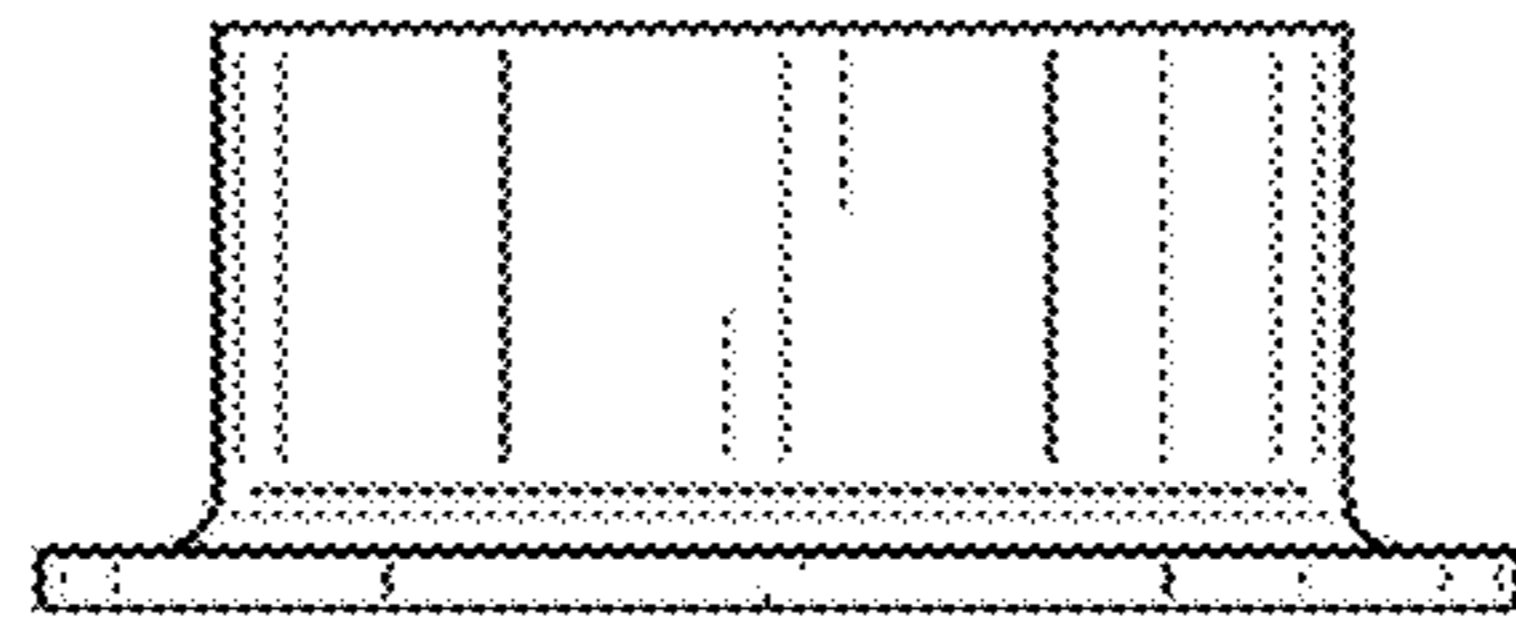


FIG. 2

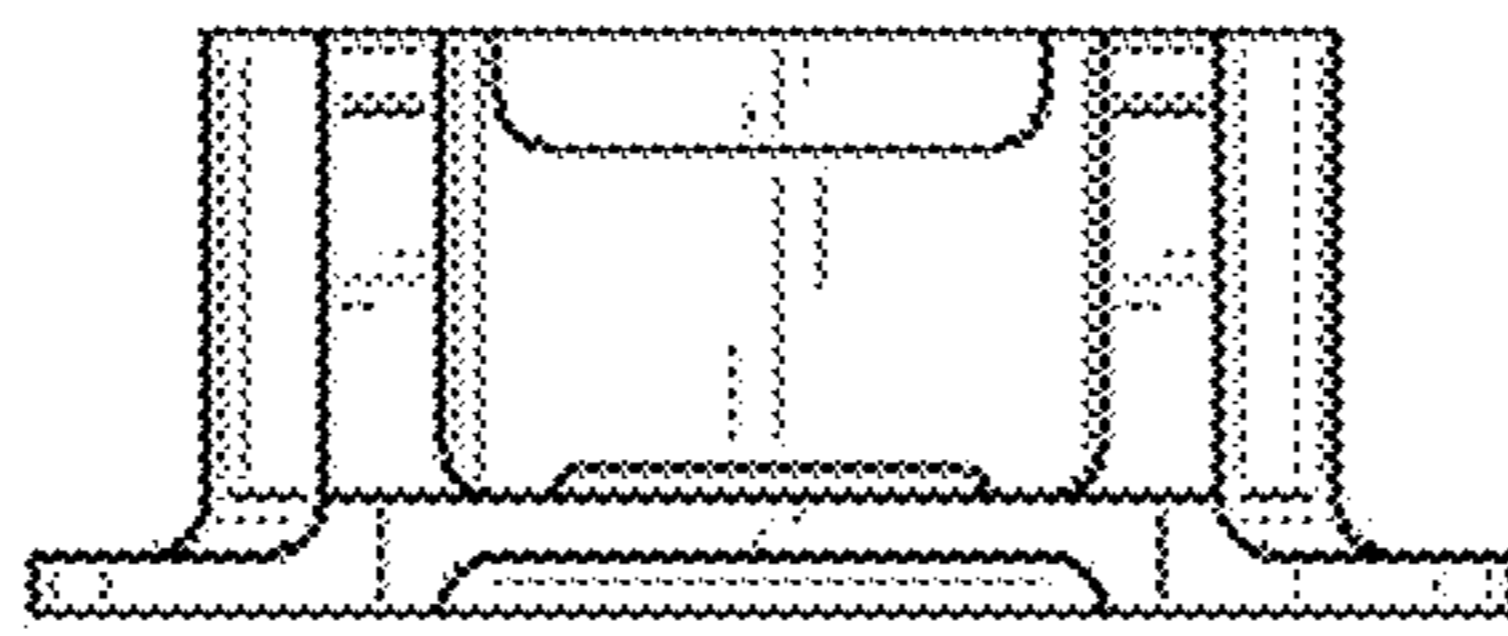


FIG. 3

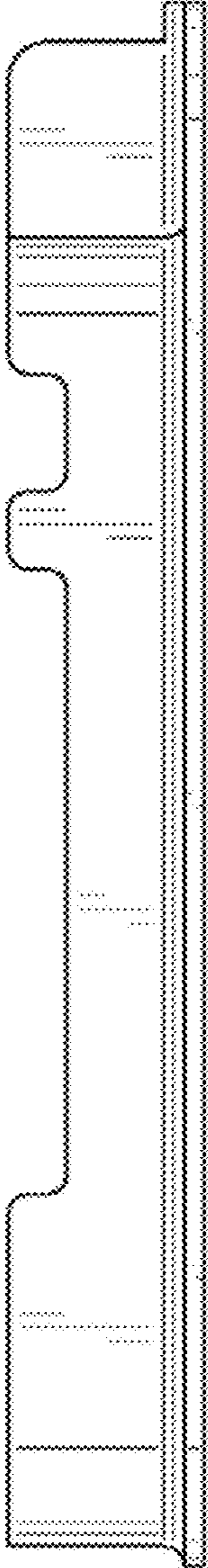


FIG. 4

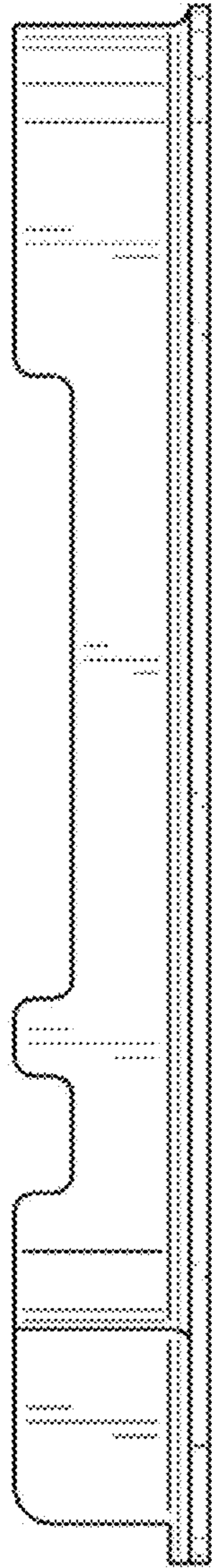


FIG. 5

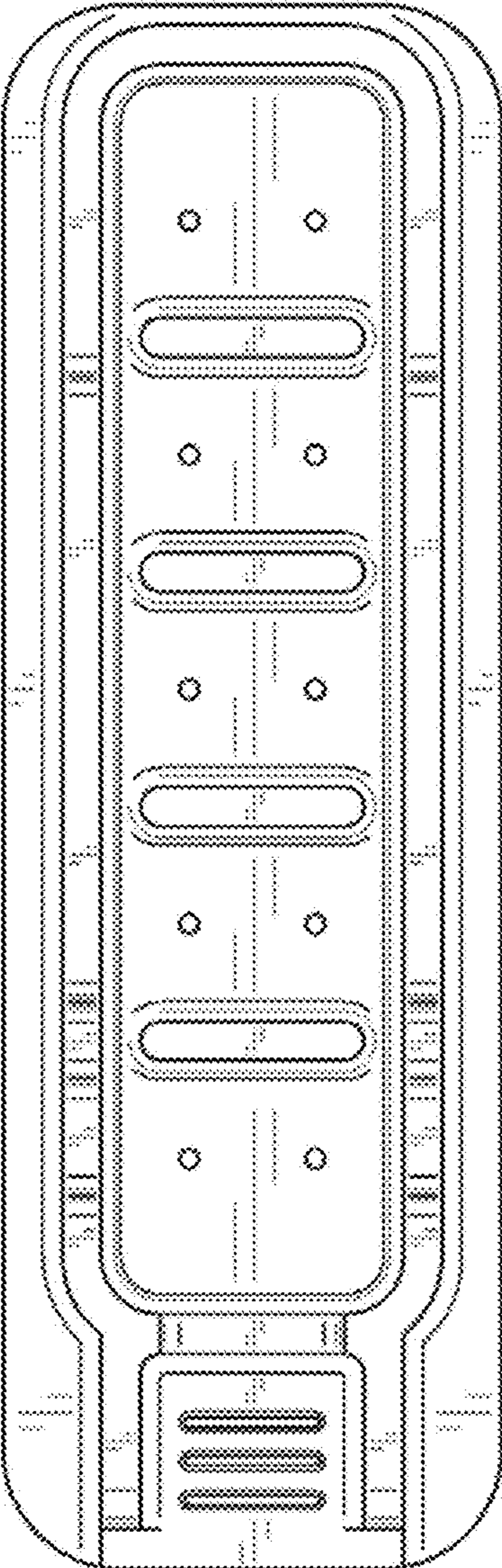


FIG. 6

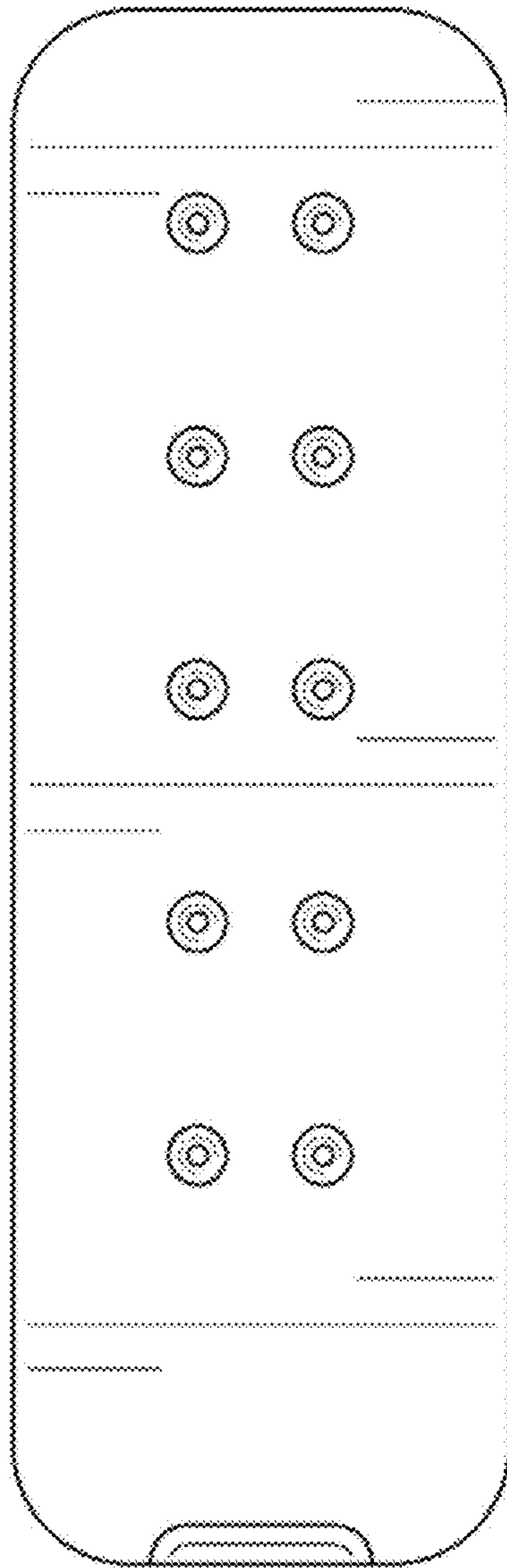


FIG. 7