



US00D720468S

(12) **United States Design Patent**
Calderwood et al.

(10) **Patent No.:** **US D720,468 S**

(45) **Date of Patent:** **** Dec. 30, 2014**

(54) **SAMPLE COLLECTION DEVICE ASSEMBLY**

(71) Applicant: **Advanced Animal Diagnostics, Inc.**,
Morrisville, NC (US)

(72) Inventors: **David Calderwood**, Chapel Hill, NC
(US); **Joy Parr Drach**, Pontiac, IL (US);
Christopher Paul, Hillsborough, NC
(US); **Rodolfo Rodriguez**, Cary, NC
(US); **Mitchell Hockett**, Raleigh, NC
(US); **Randall Marcuson**, Creedmore,
NC (US); **Stephen G. Miggels**, Wyckoff,
NJ (US); **Henry J. Mack, Jr.**,
Phillipsburg, NJ (US); **Demetris Young**,
Durham, NC (US); **Jasper N. Pollard**,
Durham, NC (US)

(73) Assignee: **Advanced Animal Diagnostics**,
Morrisville, NC (US)

(**) Term: **14 Years**

(21) Appl. No.: **29/444,213**

(22) Filed: **Jan. 28, 2013**

(51) **LOC (10) Cl.** **D24-02**

(52) **U.S. Cl.**
USPC **D24/224**

(58) **Field of Classification Search**
USPC D24/216, 223–224, 227–232; 422/430,
422/63, 300, 266, 297; 211/74, 71.01,
211/85.13; 206/443, 562–563, 733–734;
D3/203, 0.1, 304

See application file for complete search history.

(56) **References Cited**

U.S. PATENT DOCUMENTS

D355,260 S * 2/1995 Tomasso D24/224
D367,714 S * 3/1996 Pennicook D24/227

(Continued)

Primary Examiner — T. Chase Nelson

Assistant Examiner — Mark Cavanna

(74) *Attorney, Agent, or Firm* — Myers Bigel Sibley &
Sajovec, PA

(57) **CLAIM**

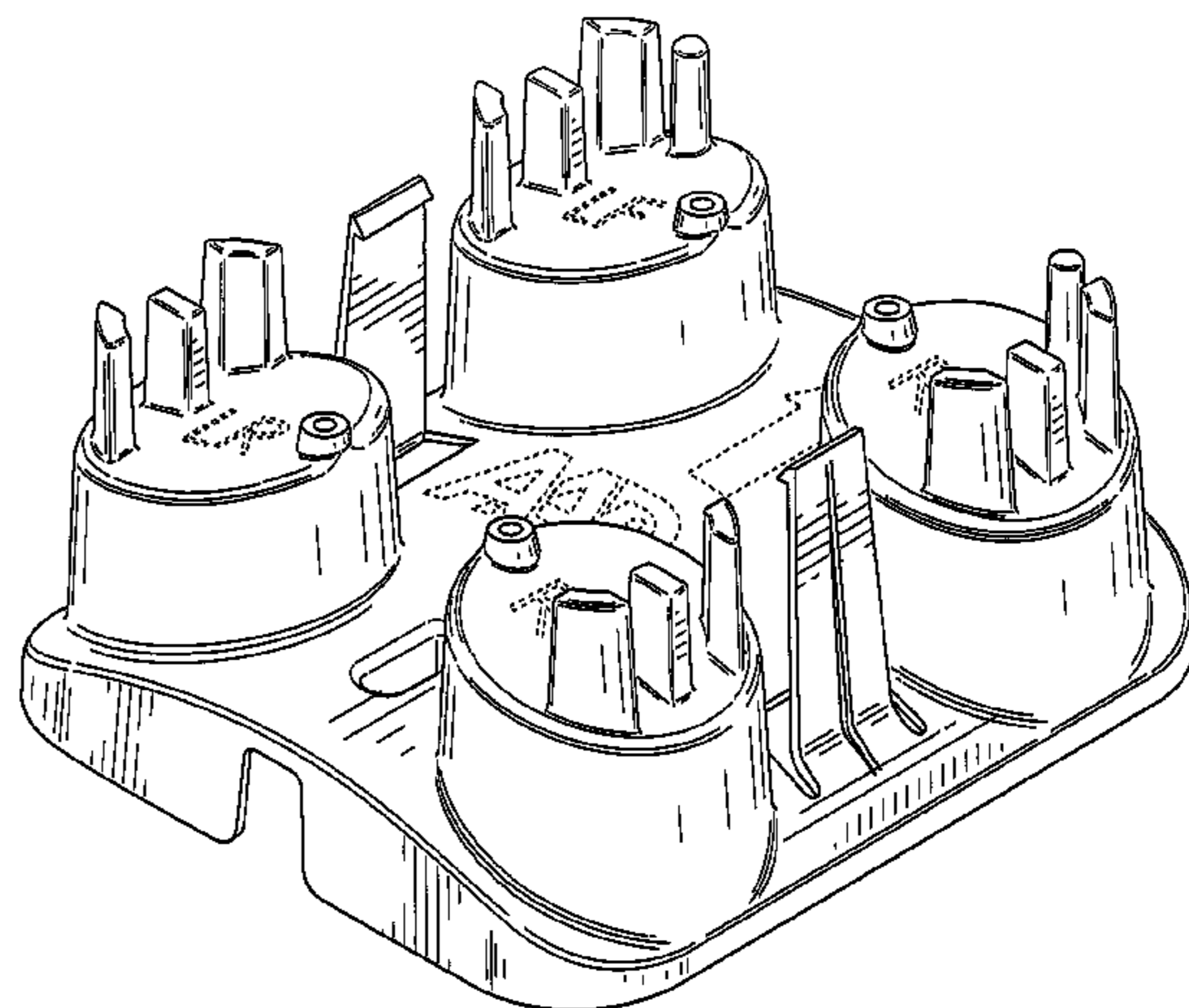
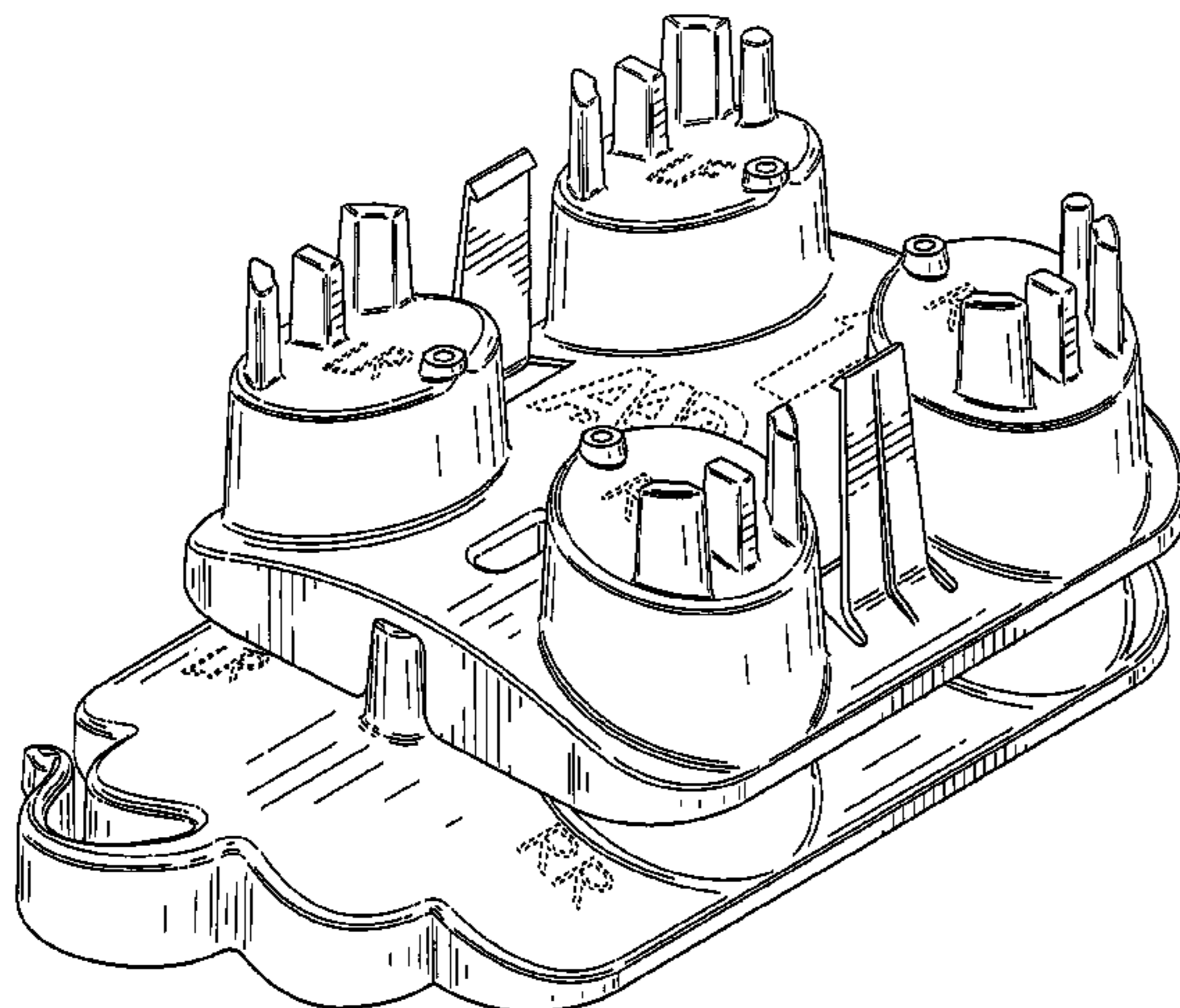
The ornamental design for a sample collection device assem-
bly, as shown and described.

DESCRIPTION

FIG. 1 is a top perspective view of the sample collection
device assembly showing our design;
FIG. 2 is a front view thereof;
FIG. 3 is a back view thereof;
FIG. 4 is a side view thereof;
FIG. 5 is an opposing side view thereof;
FIG. 6 is a top view thereof;
FIG. 7 is a bottom view thereof;
FIG. 8 is a bottom perspective view thereof;
FIG. 9 is a top perspective view of the top portion of the
sample collection device assembly shown separately for clar-
ity of illustration;
FIG. 10 is a front view thereof;
FIG. 11 is a back view thereof;
FIG. 12 is a side view thereof;
FIG. 13 is an opposing side view thereof;
FIG. 14 is top view thereof;
FIG. 15 is a bottom view thereof;
FIG. 16 is a bottom perspective view thereof;
FIG. 17 is a top perspective view of the bottom portion of the
sample collection device assembly shown separately for clar-
ity of illustration;
FIG. 18 is a front view thereof;
FIG. 19 is a back view thereof;
FIG. 20 is a side view thereof;
FIG. 21 is an opposing side view thereof;
FIG. 22 is a top view thereof;
FIG. 23 is a bottom view thereof; and,
FIG. 24 is a bottom perspective view thereof.

The broken lines shown herein are for purposes of illustrating
portions of the sample collection device assembly that form
no part of the claimed design.

1 Claim, 24 Drawing Sheets



(56)

References Cited

U.S. PATENT DOCUMENTS

D431,867 S *	10/2000	Maynard et al.	D24/225	D624,194 S *	9/2010	Pack et al.	D24/224
D432,244 S *	10/2000	Anderson et al.	D24/223	7,837,939 B2 *	11/2010	Tung et al.	422/410
D501,679 S *	2/2005	Smith	D24/216	D639,978 S *	6/2011	Roos et al.	D24/227
D501,680 S *	2/2005	Smith	D24/230	8,062,901 B2 *	11/2011	Dai et al.	436/165
D534,280 S *	12/2006	Gomm et al.	D24/224	D657,473 S *	4/2012	Miyashita et al.	D24/224
D546,966 S *	7/2007	Kajiyama et al.	D24/224	D665,095 S *	8/2012	Wilson et al.	D24/227
D618,820 S *	6/2010	Wilson et al.	D24/227	D669,597 S *	10/2012	Cavada et al.	D24/224
D620,603 S *	7/2010	Talmer et al.	D24/224	D679,831 S *	4/2013	Greenizen et al.	D24/227
				8,468,901 B2 *	6/2013	Harvey et al.	73/864.91
				D696,419 S *	12/2013	Fusellier et al.	D24/230
				2008/0009073 A1 *	1/2008	Green et al.	436/174

* cited by examiner

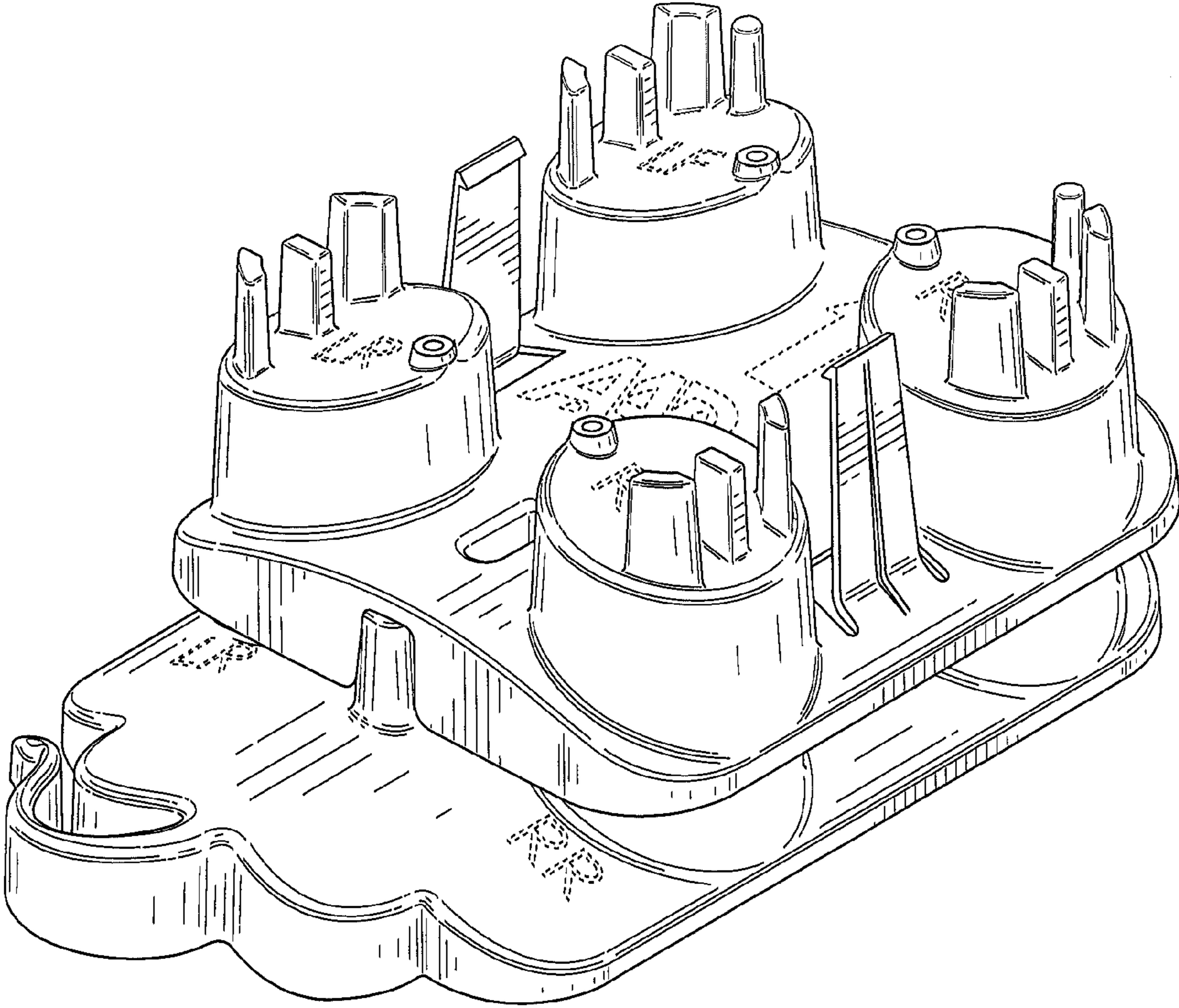


FIG. 1

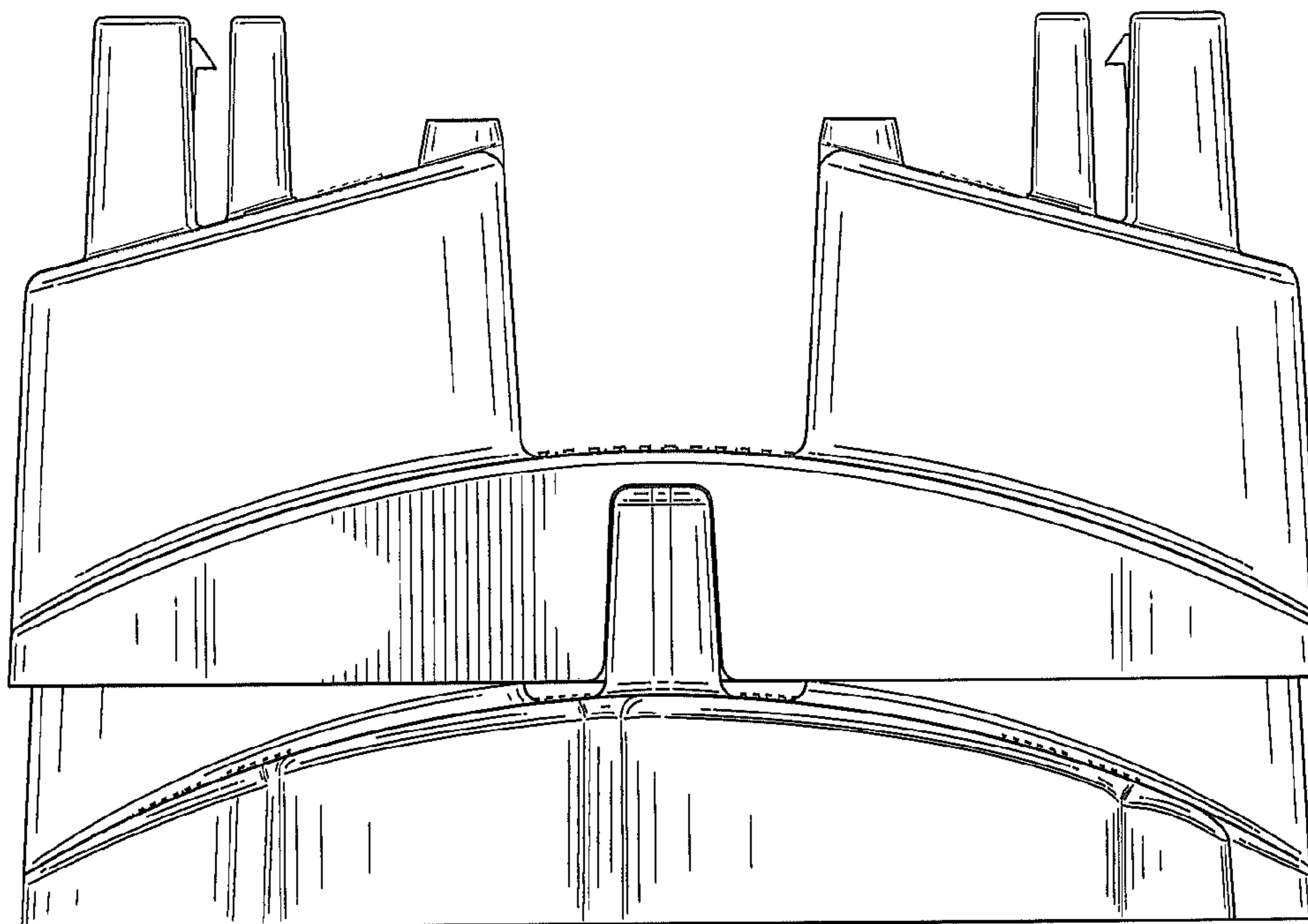


FIG. 2

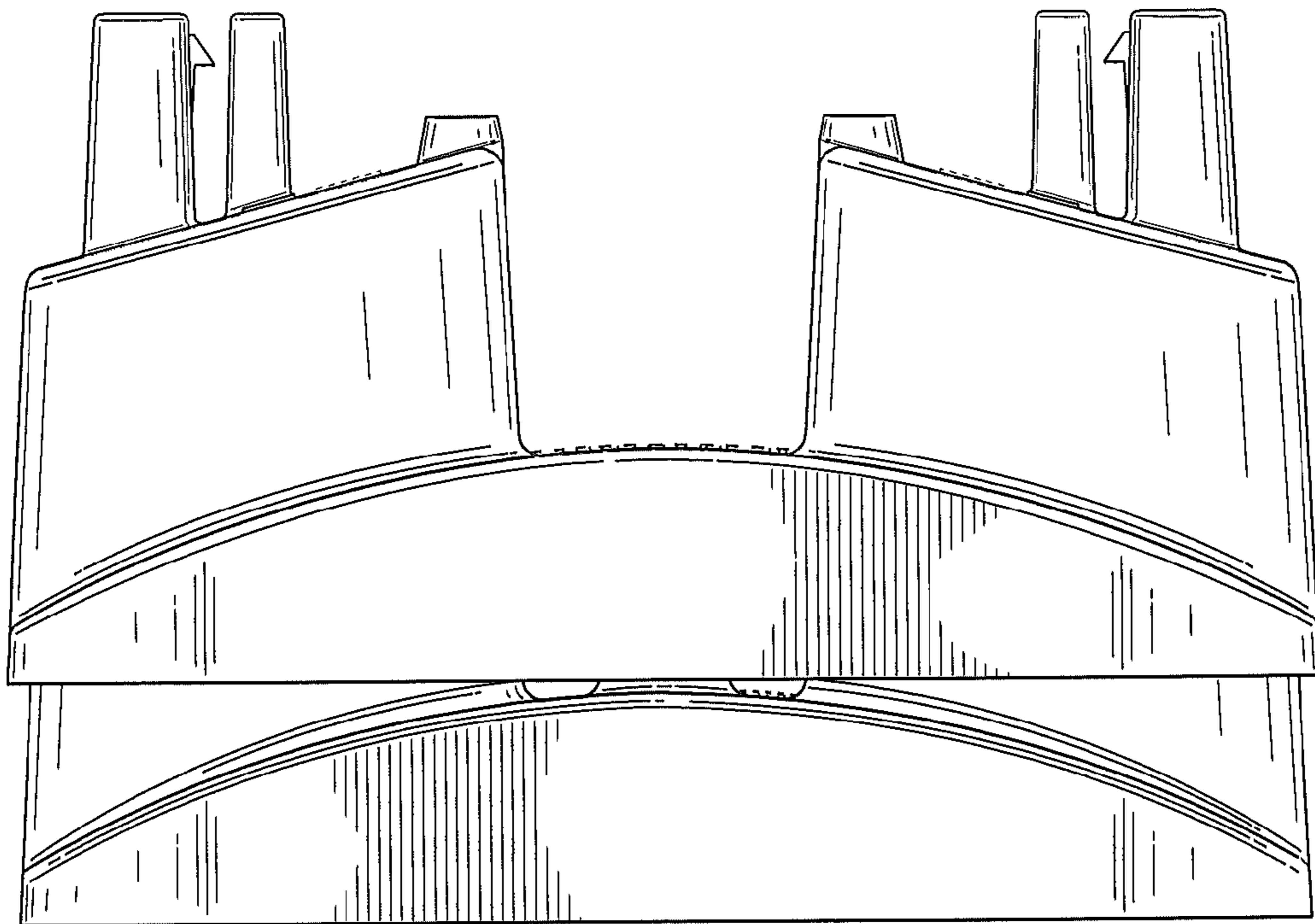


FIG. 3

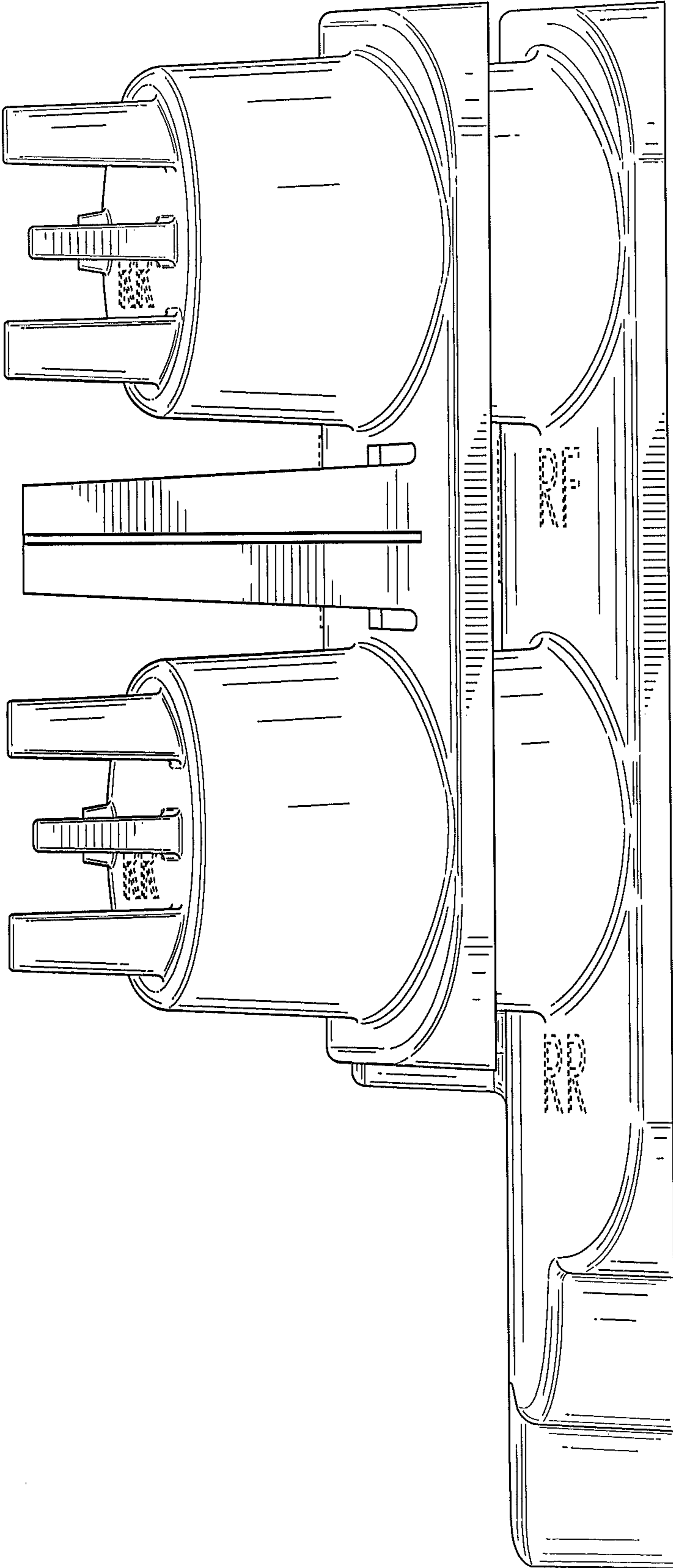


FIG. 4

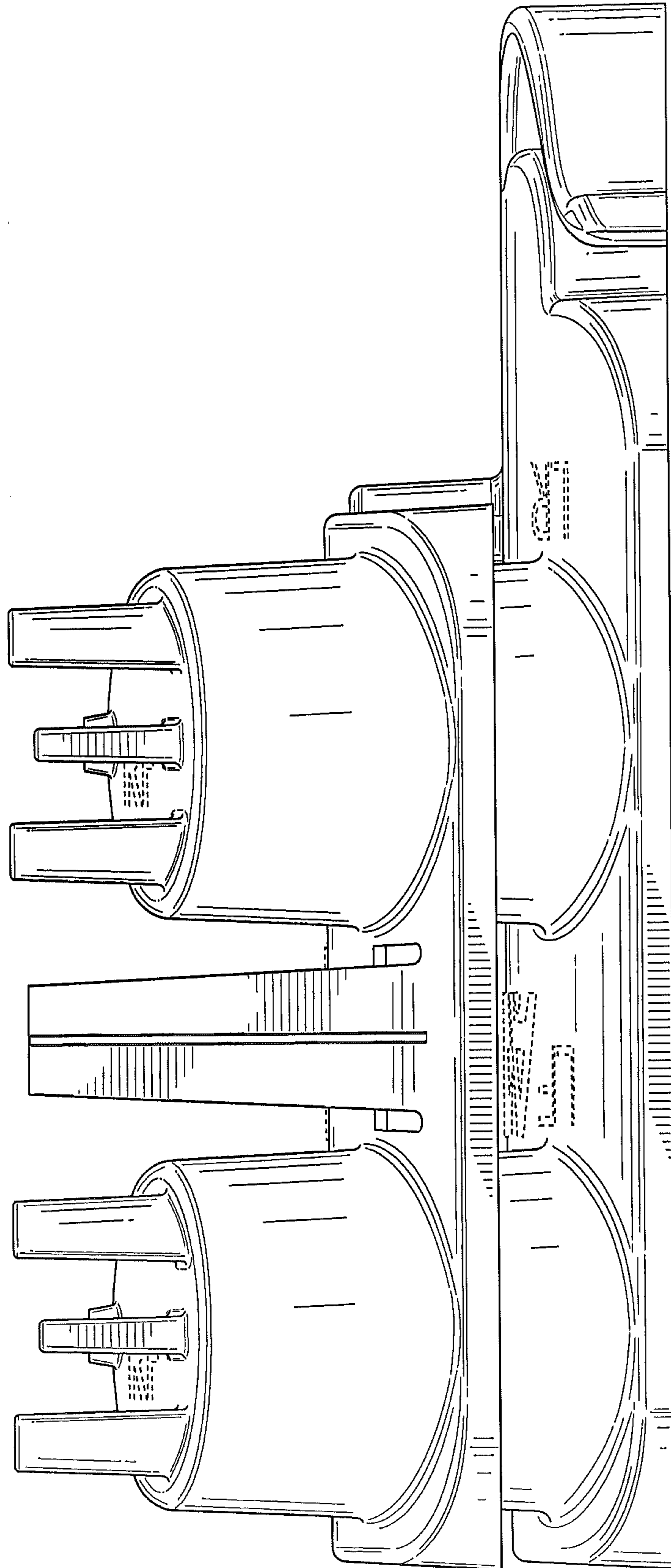


FIG. 5

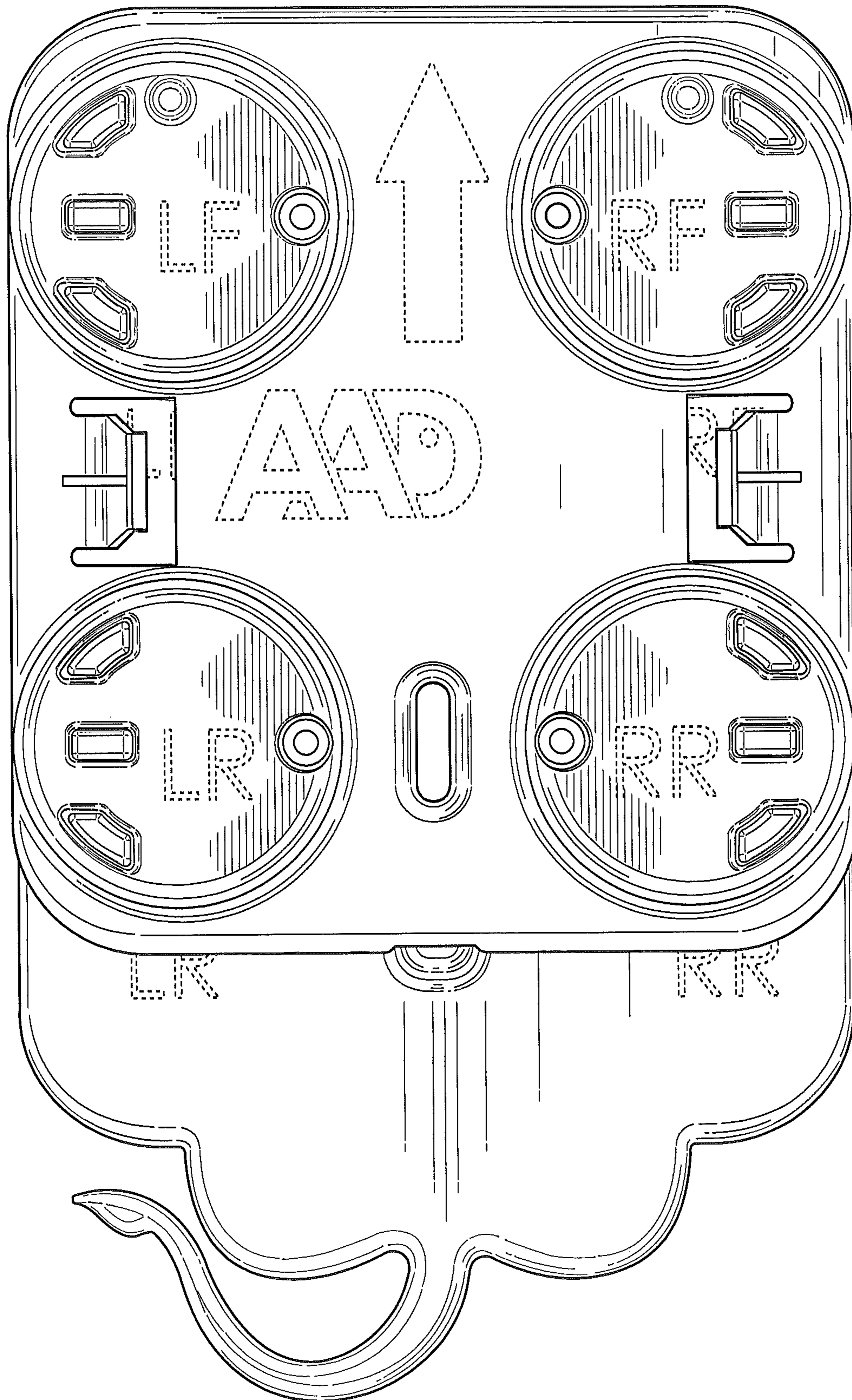


FIG. 6

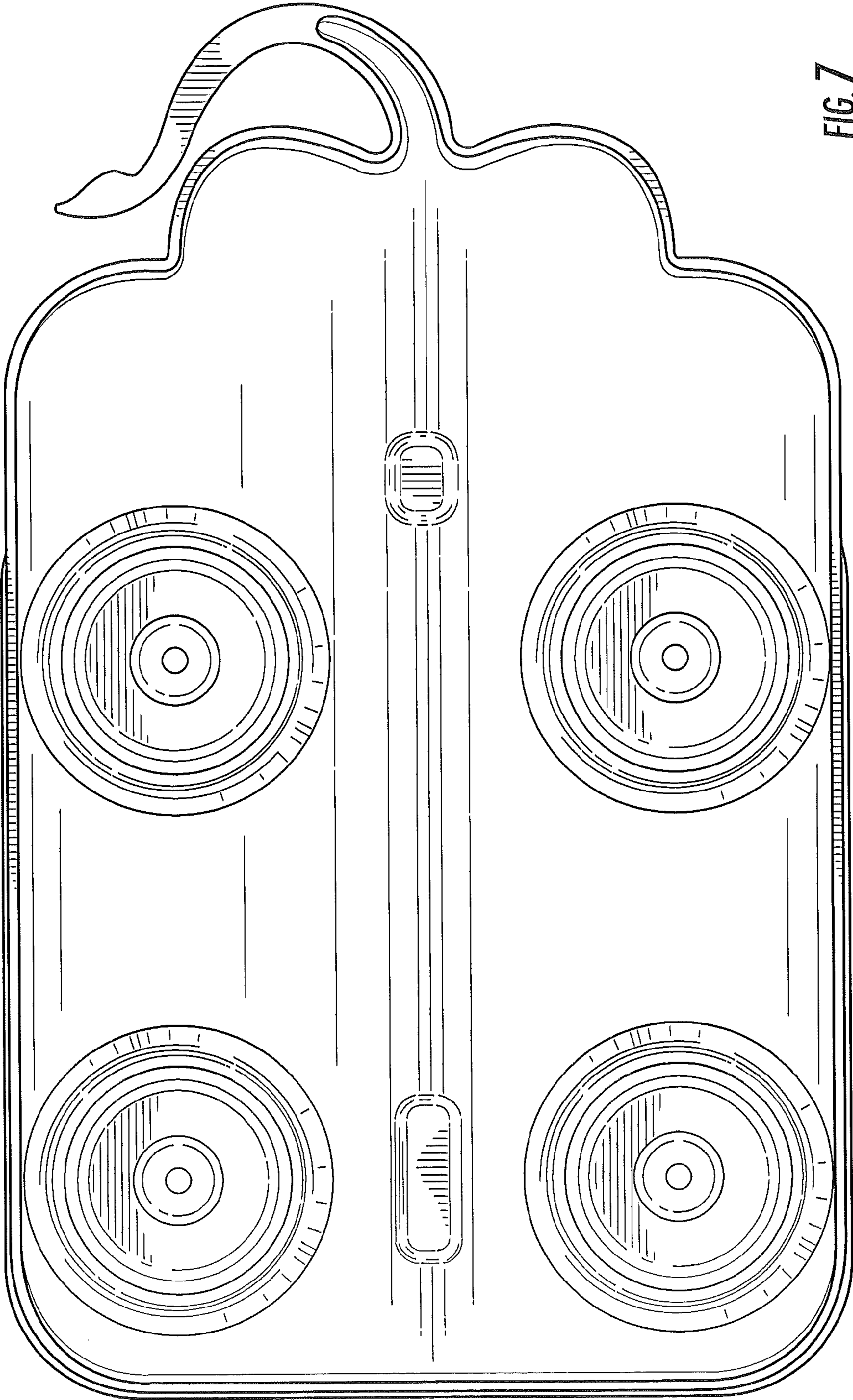


FIG. 7

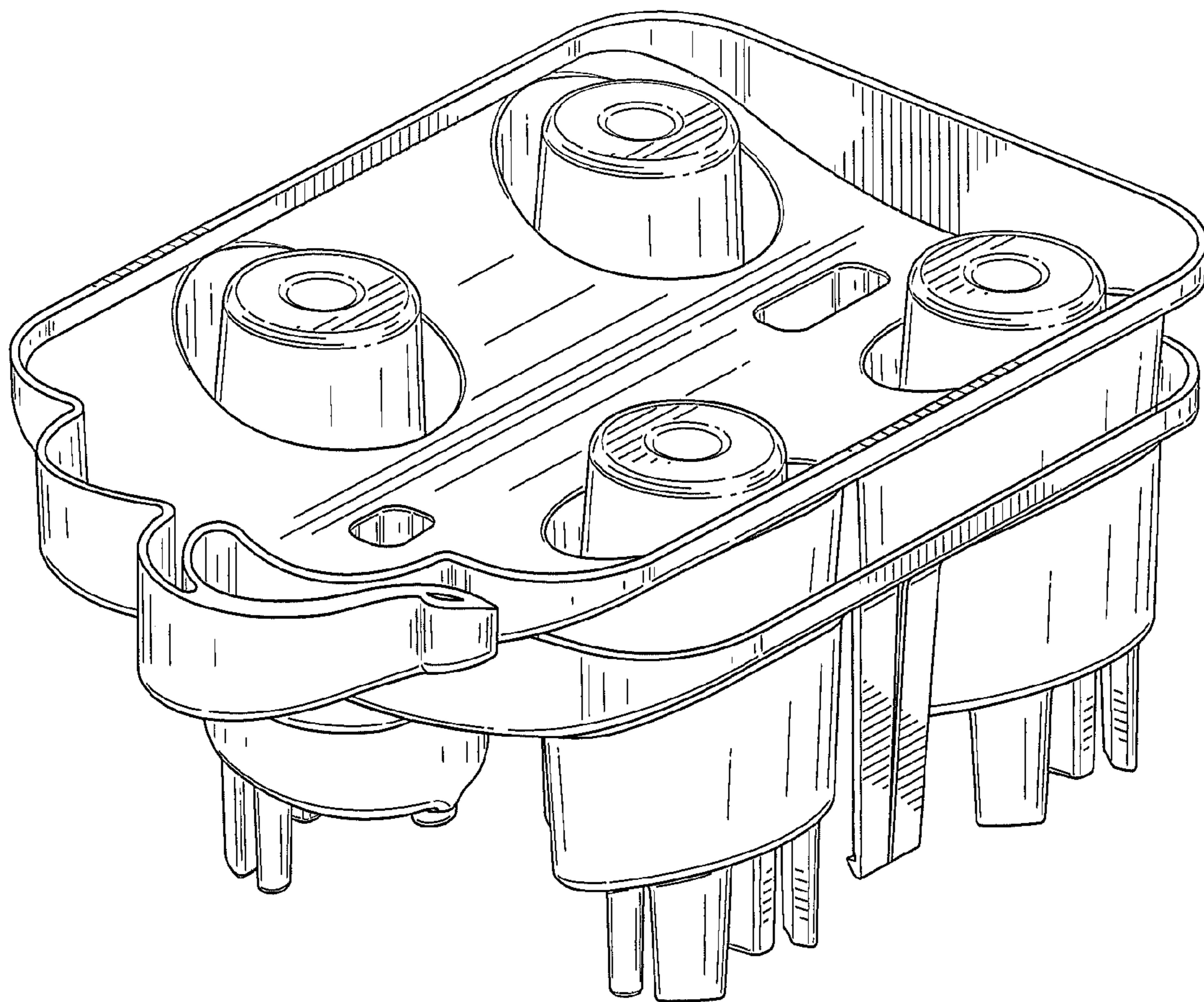


FIG. 8

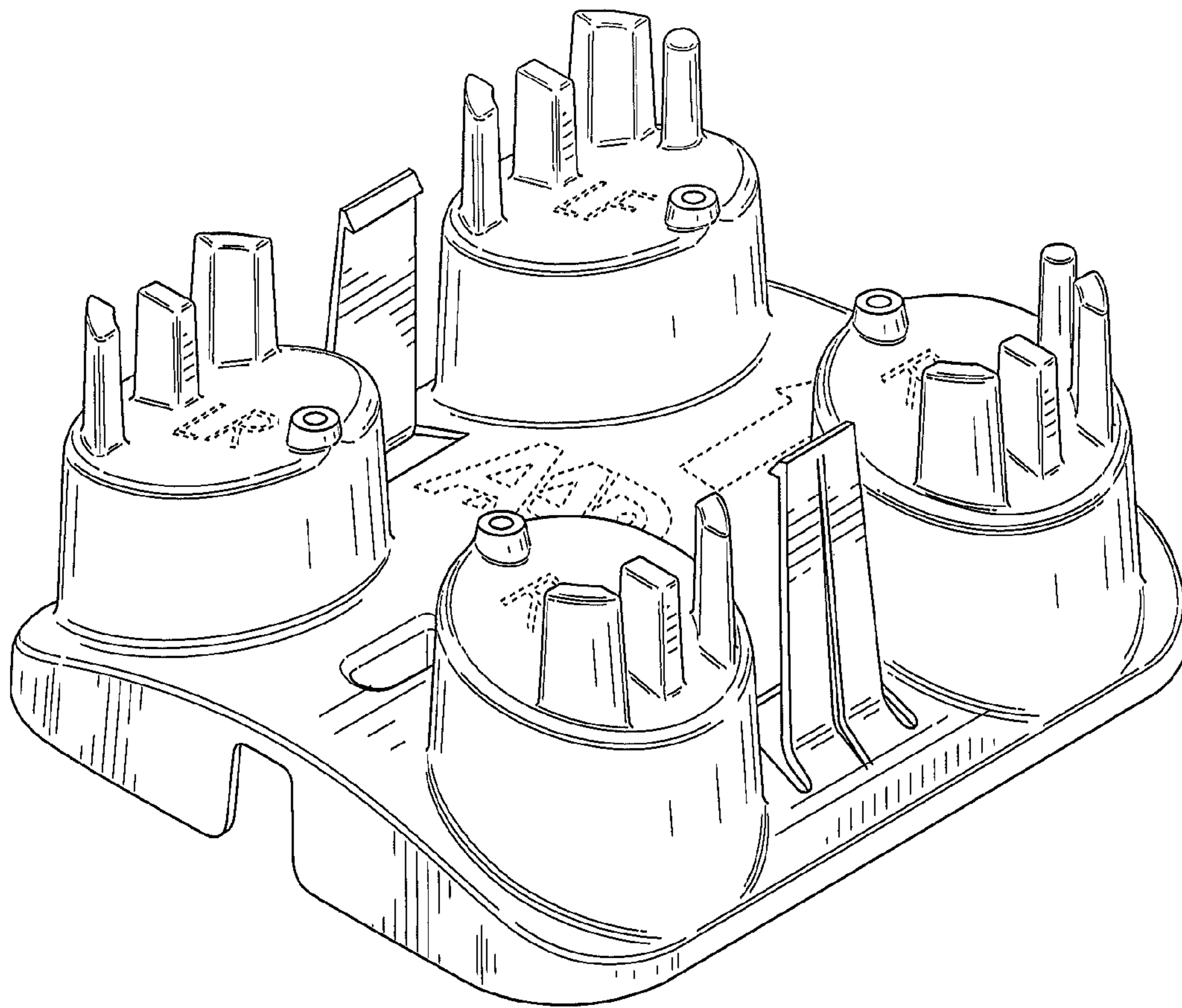


FIG. 9

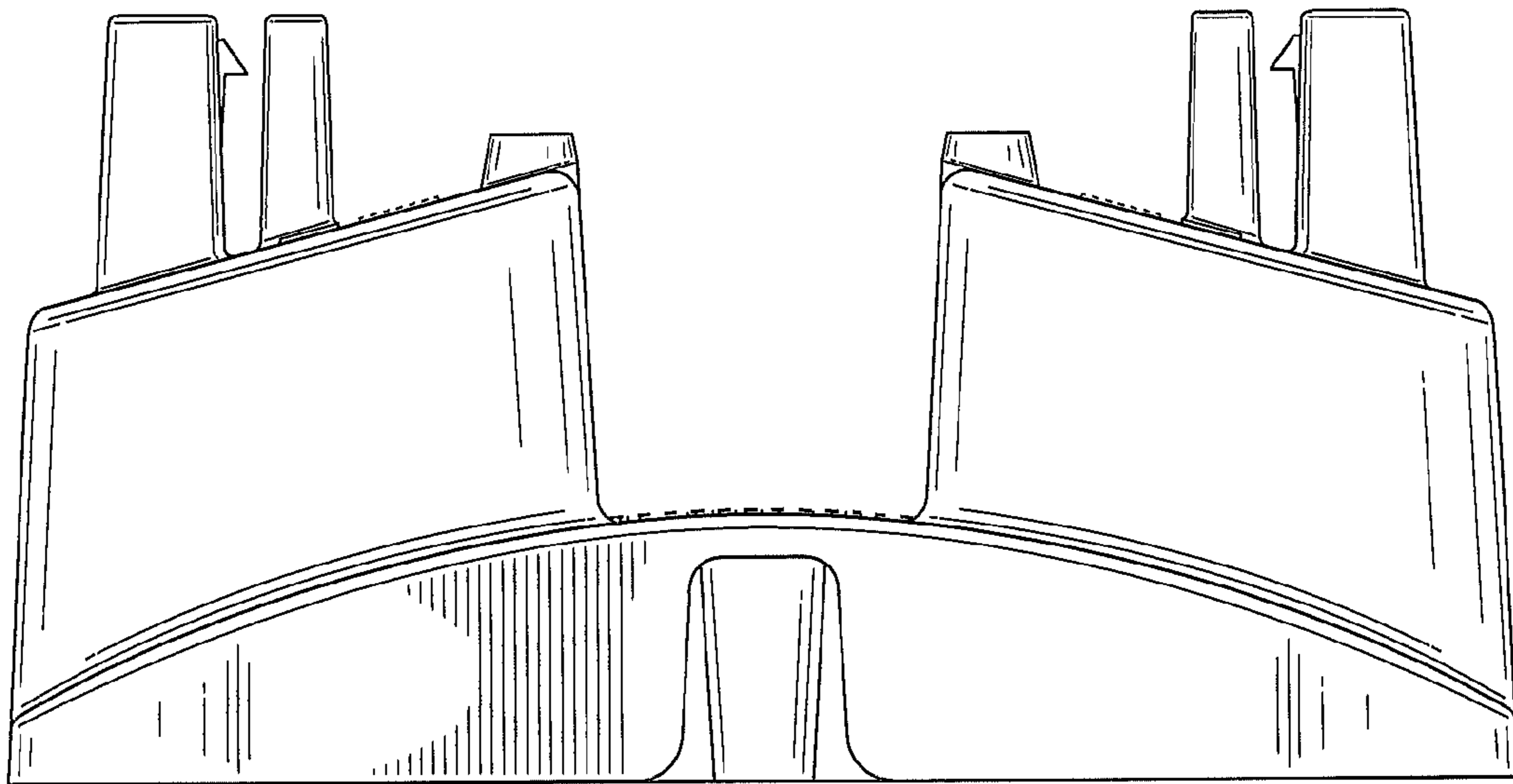


FIG. 10

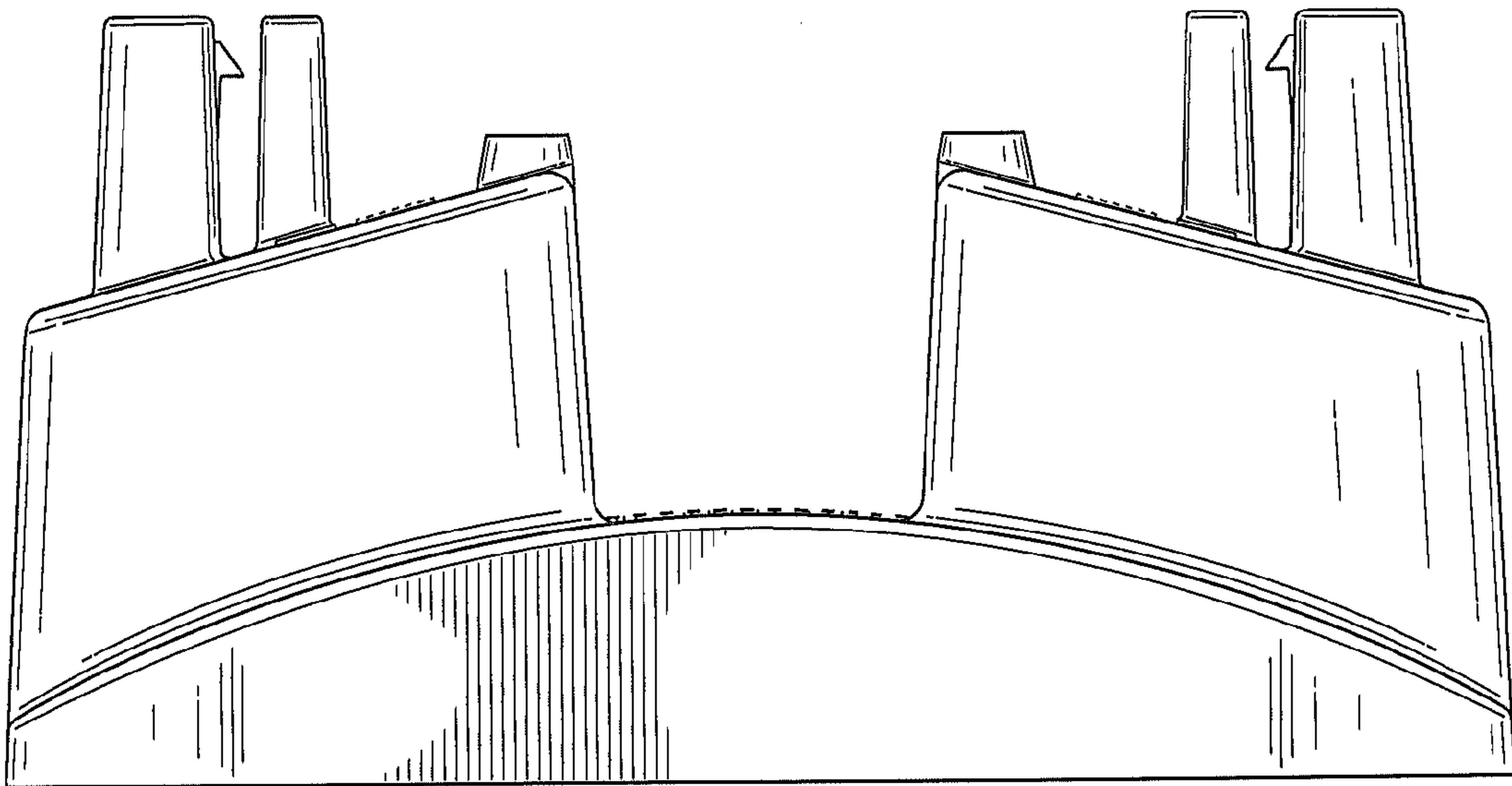


FIG. 11

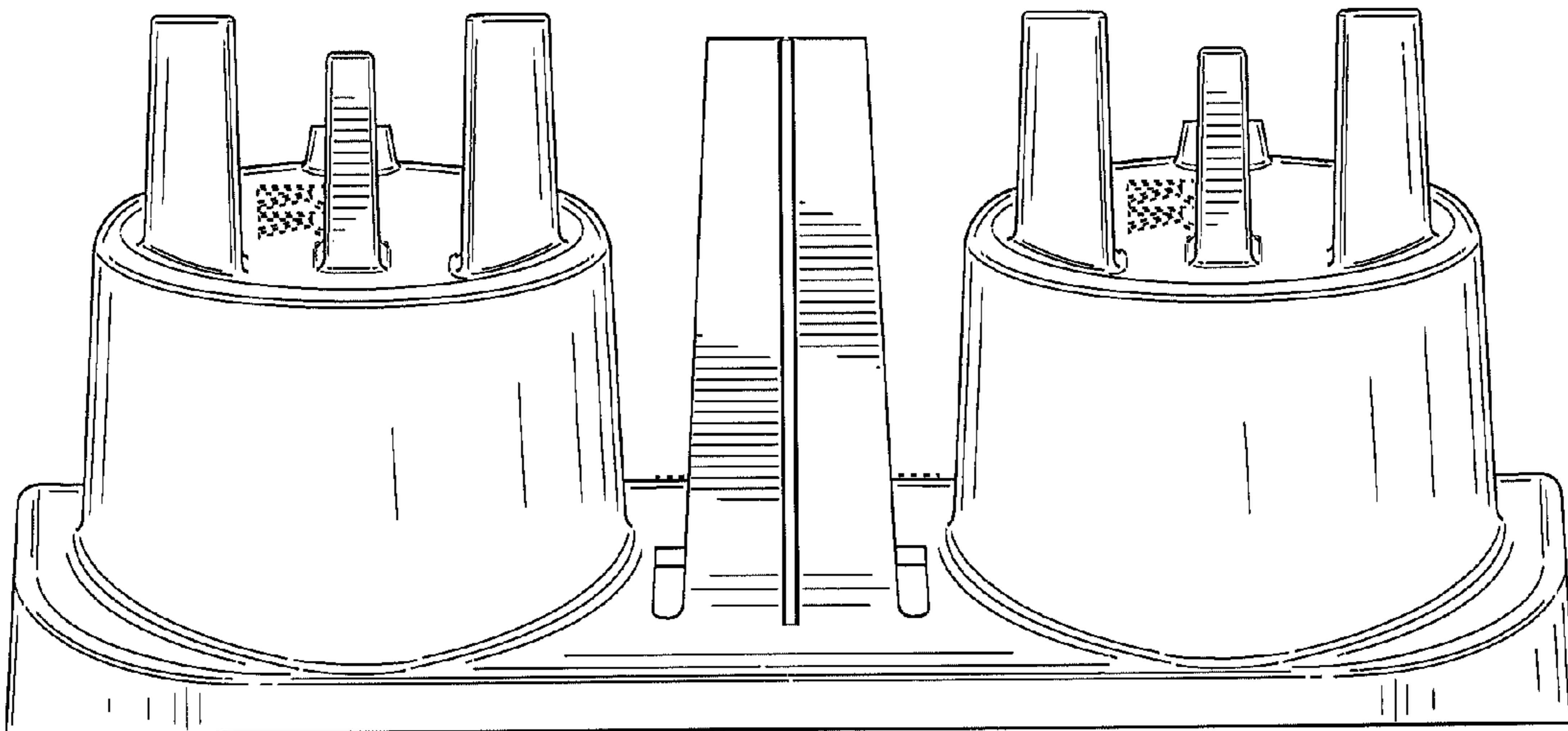


FIG. 12

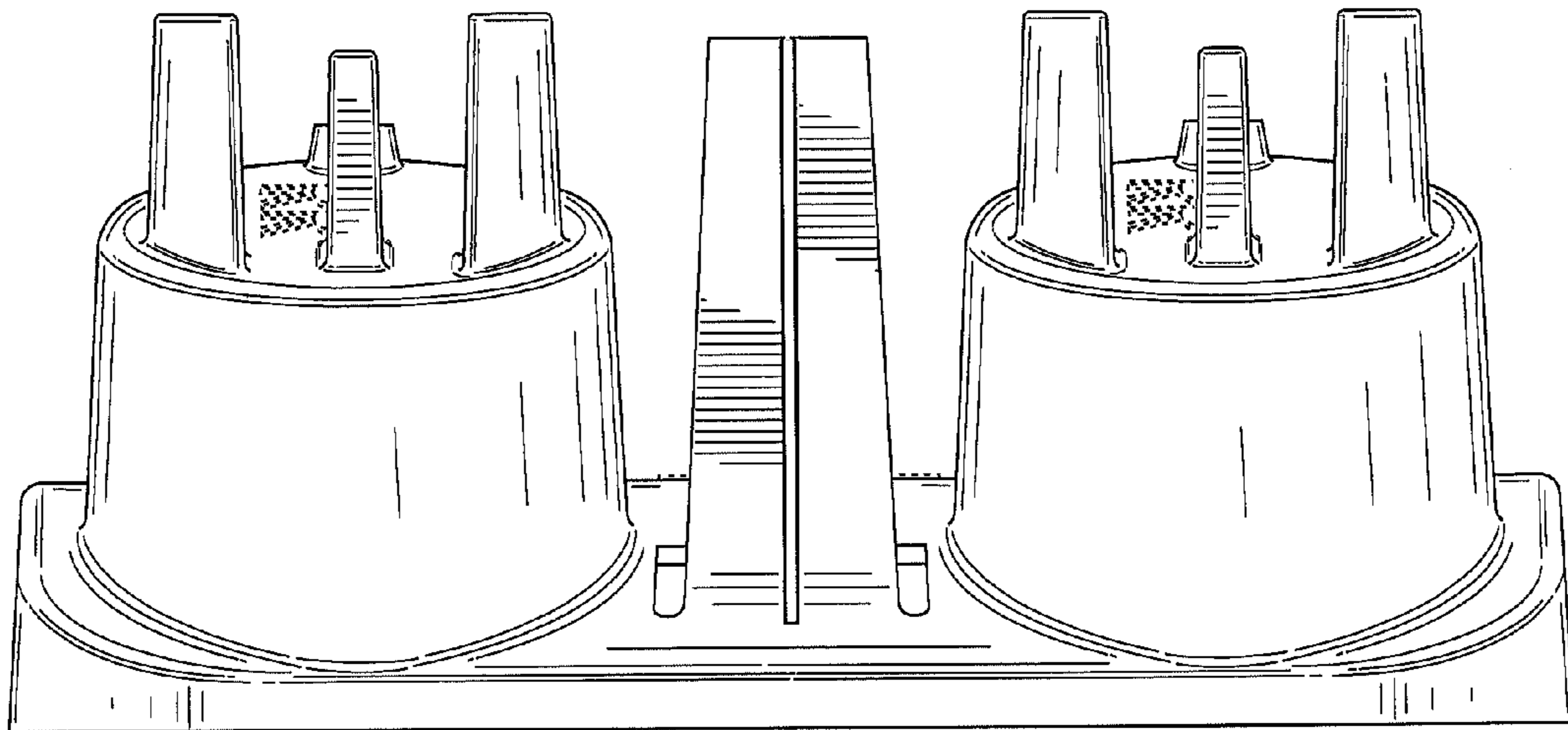


FIG. 13

FIG. 14

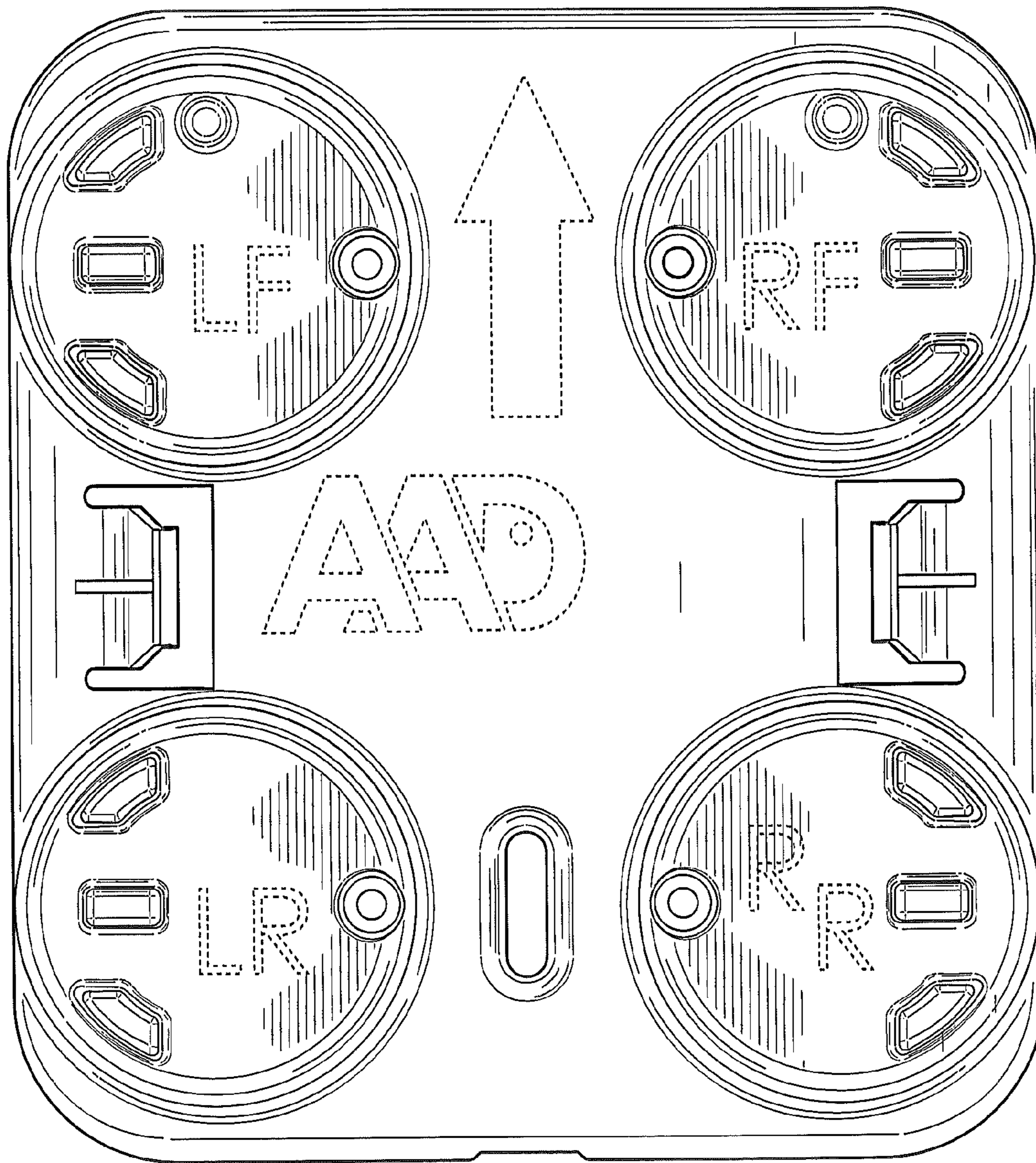
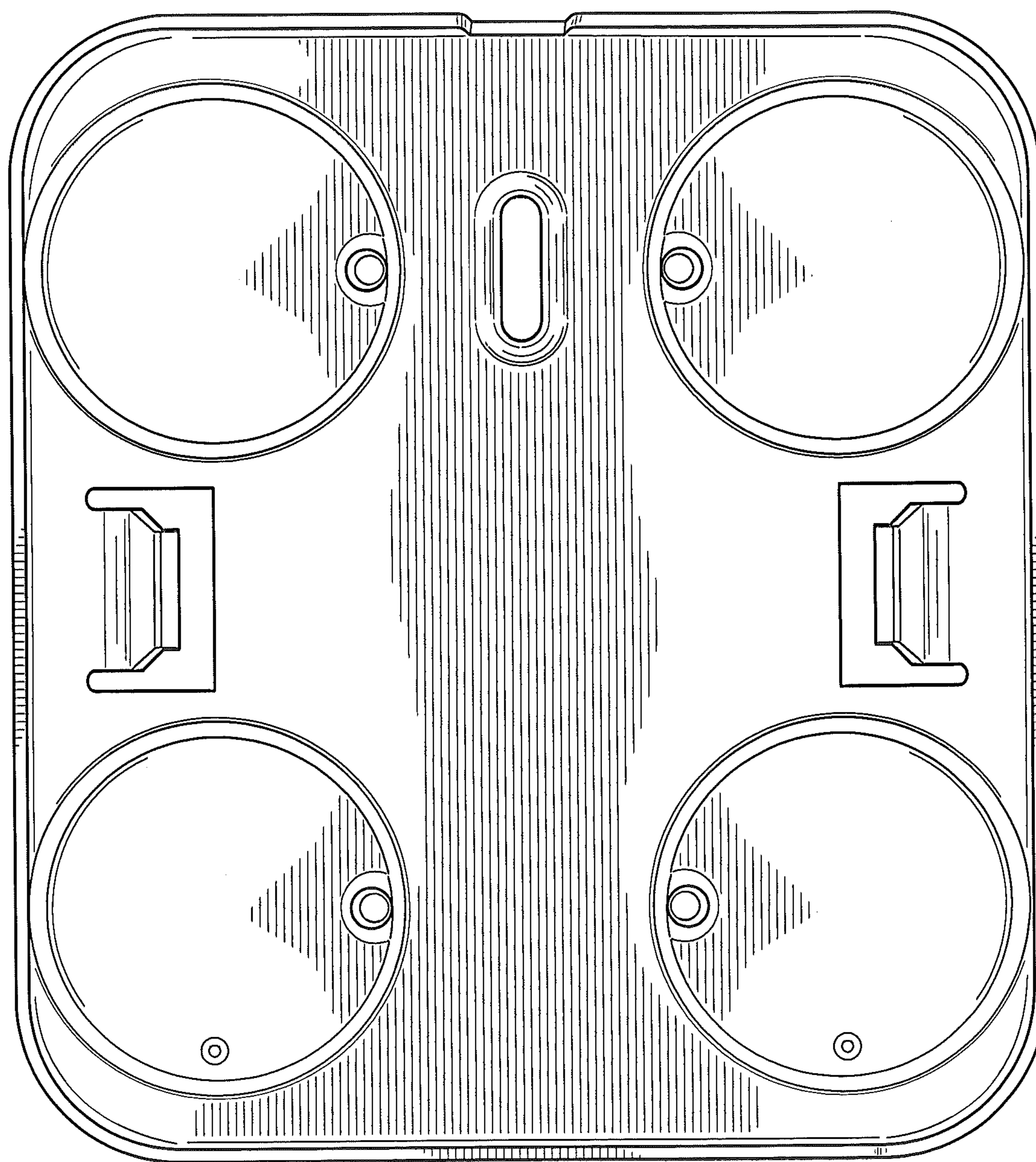


FIG. 15



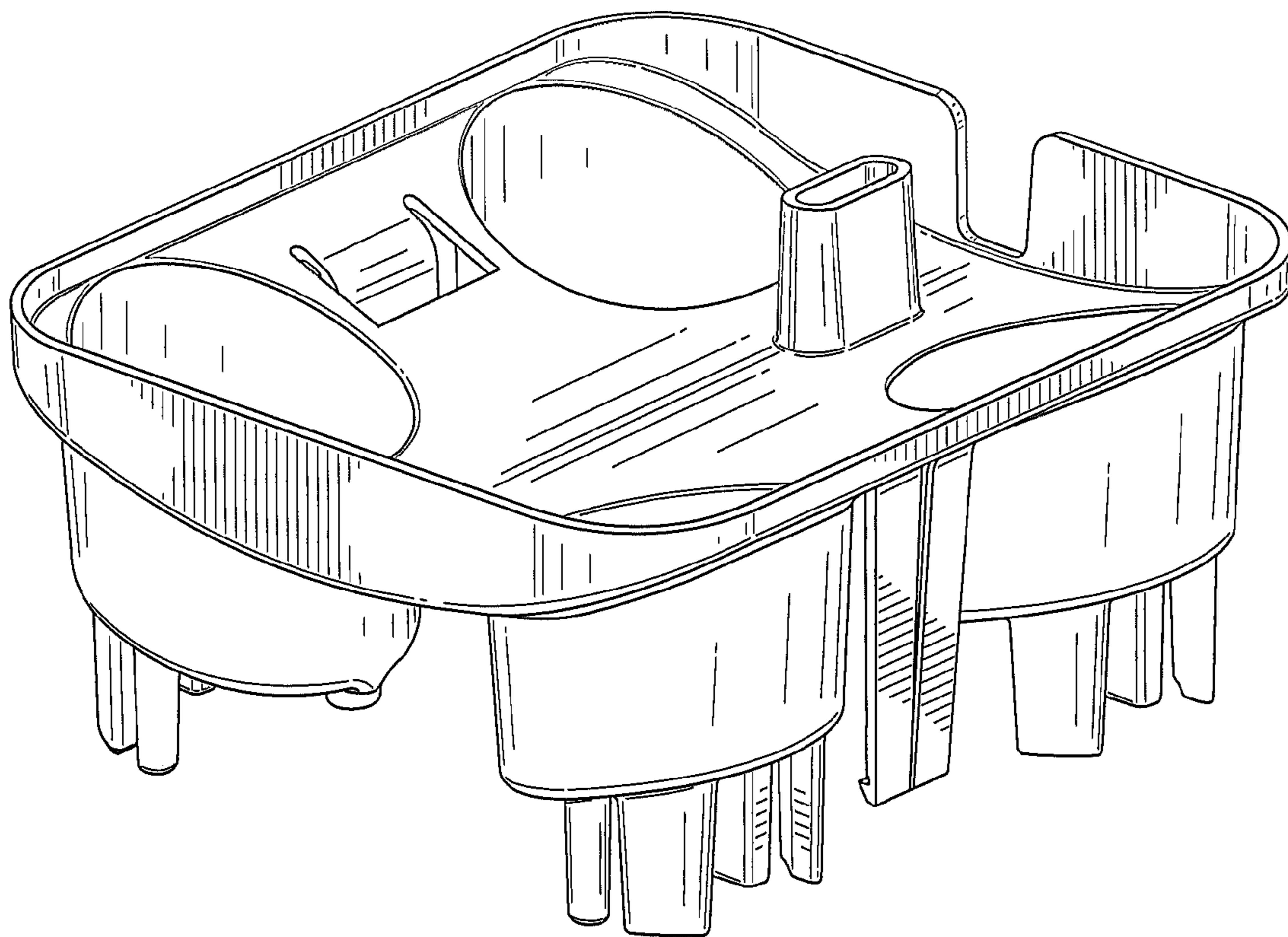


FIG. 16

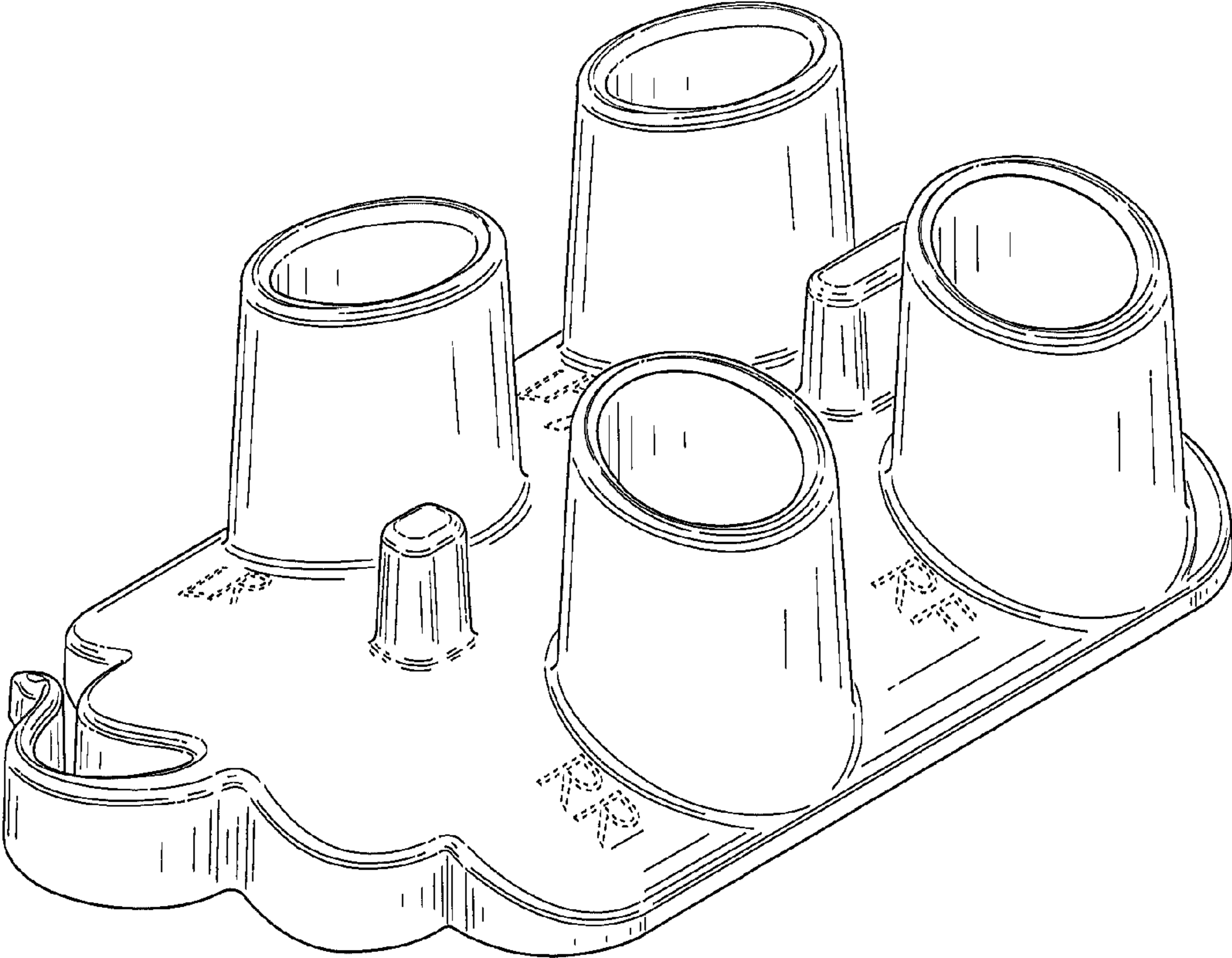


FIG. 17

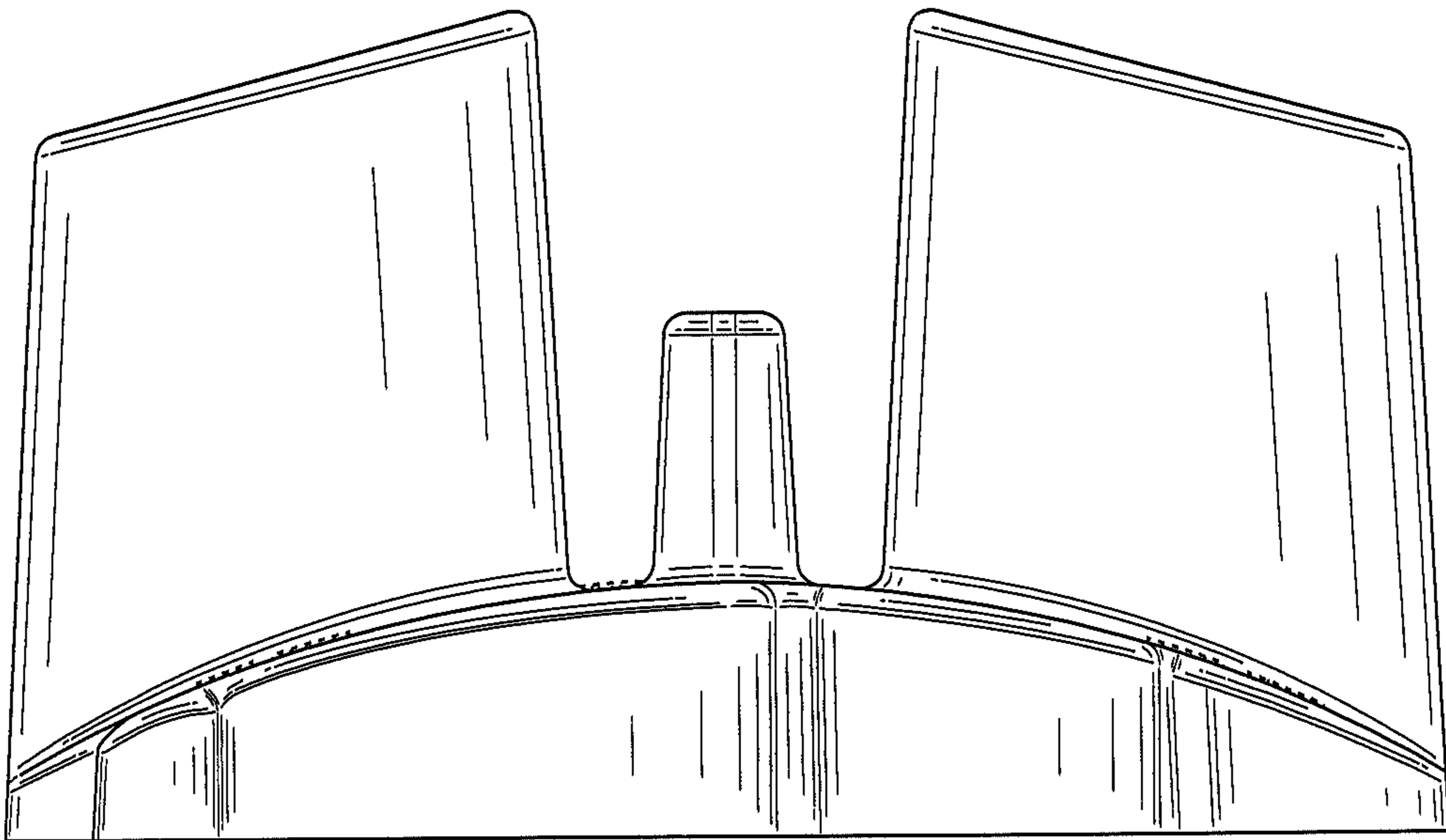


FIG. 18

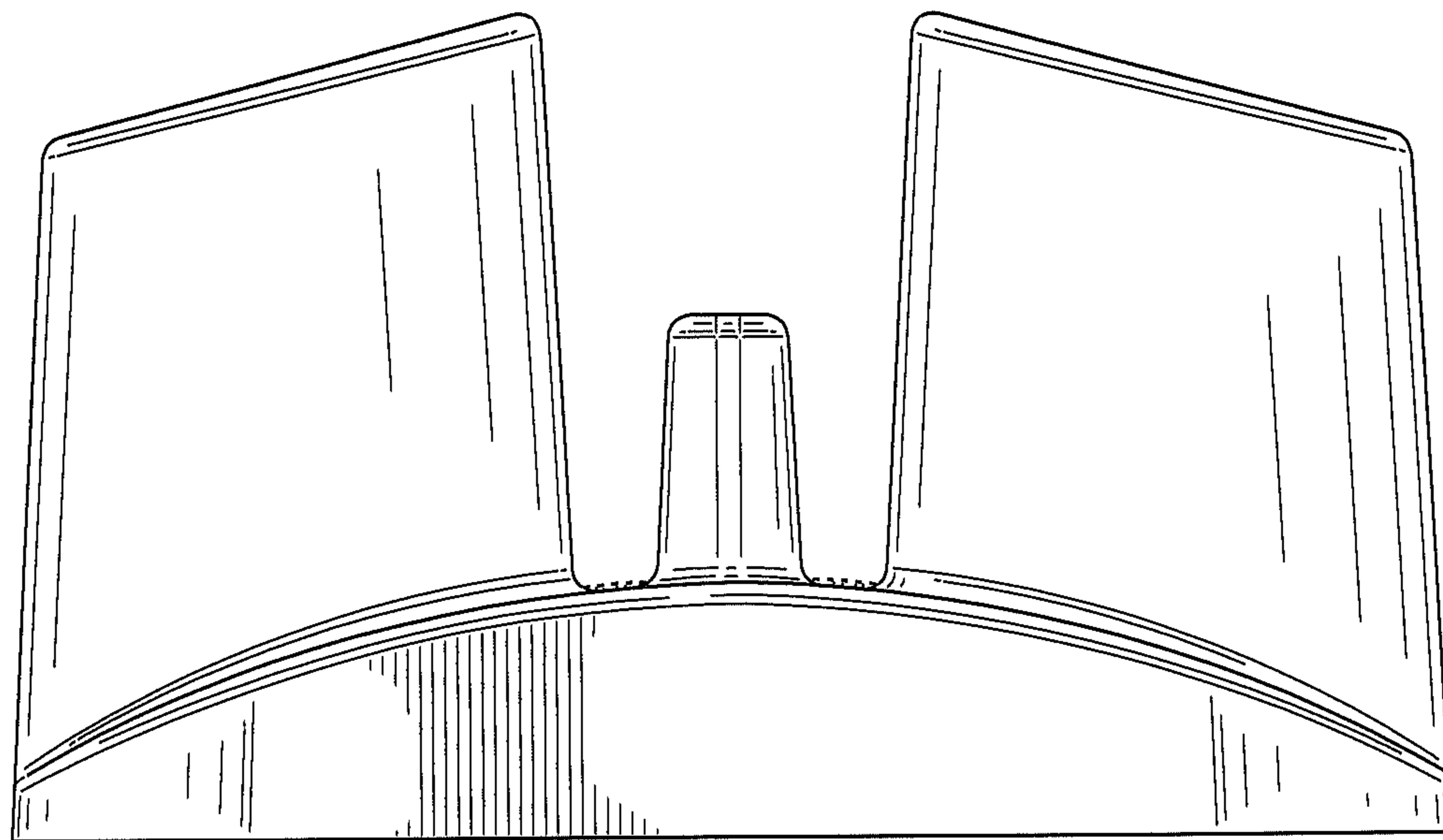


FIG. 19

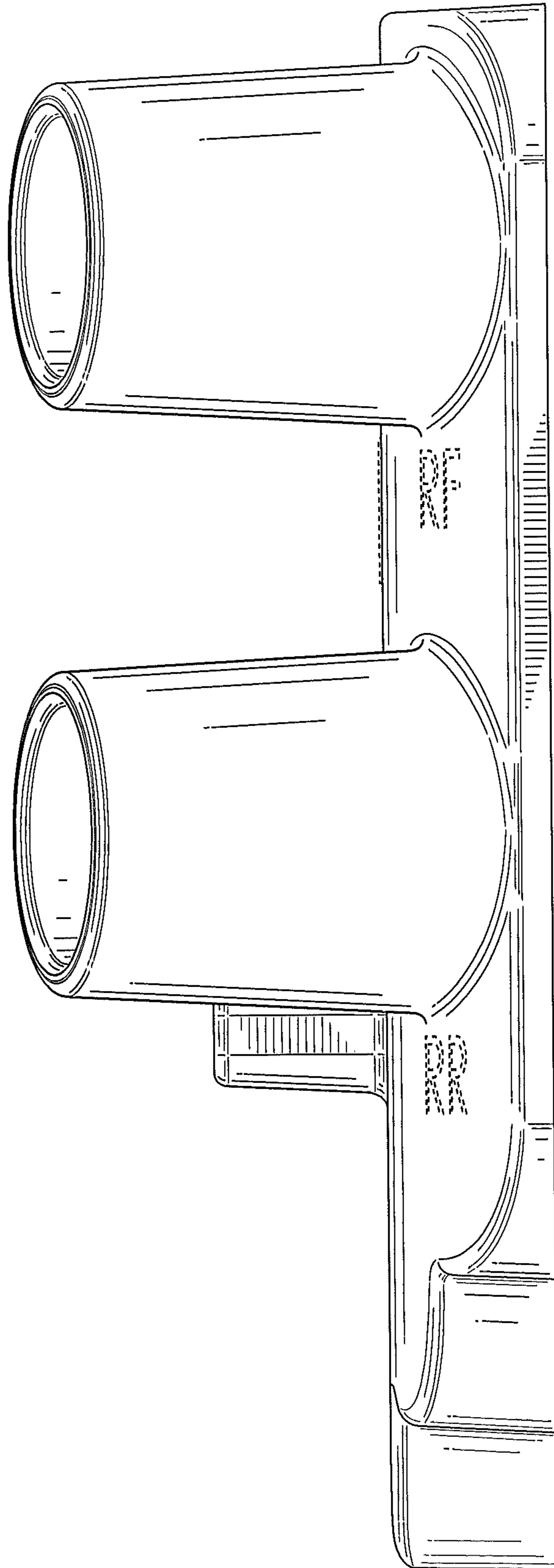


FIG. 20

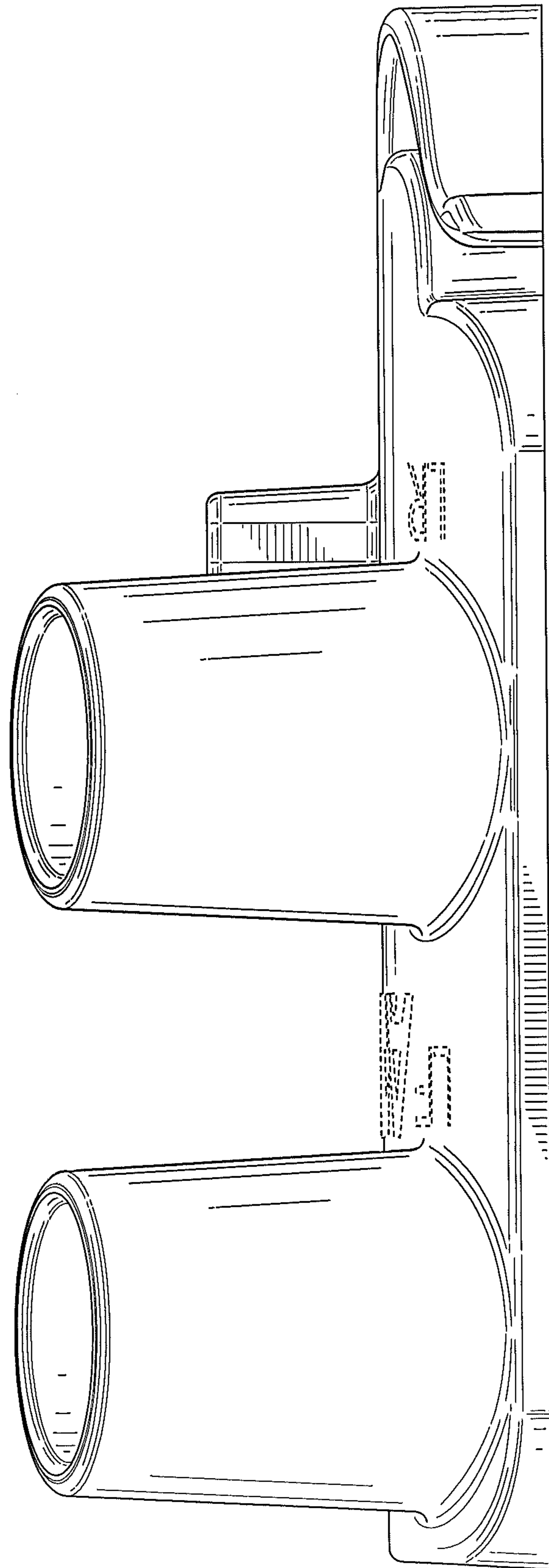


FIG. 21

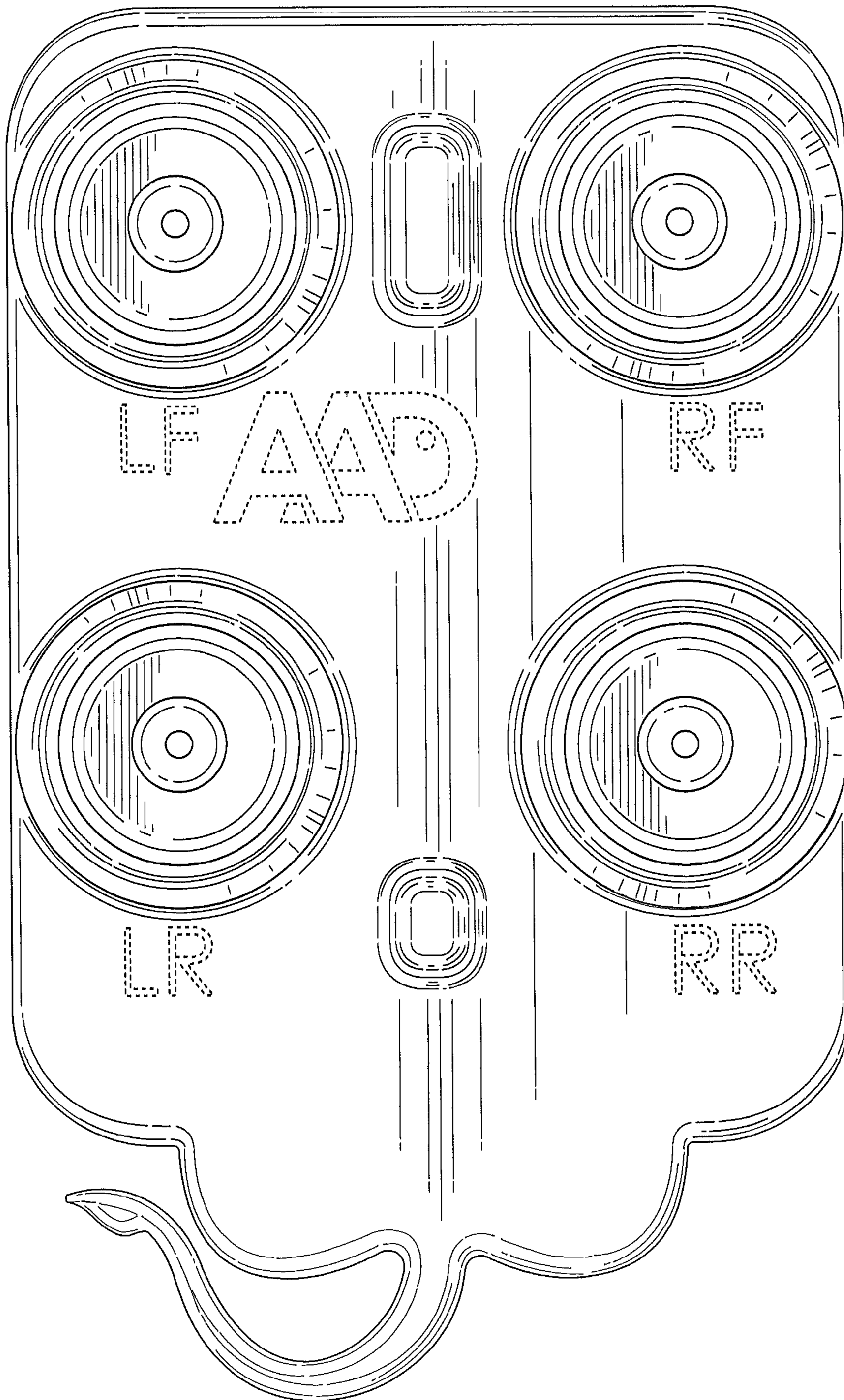


FIG. 22

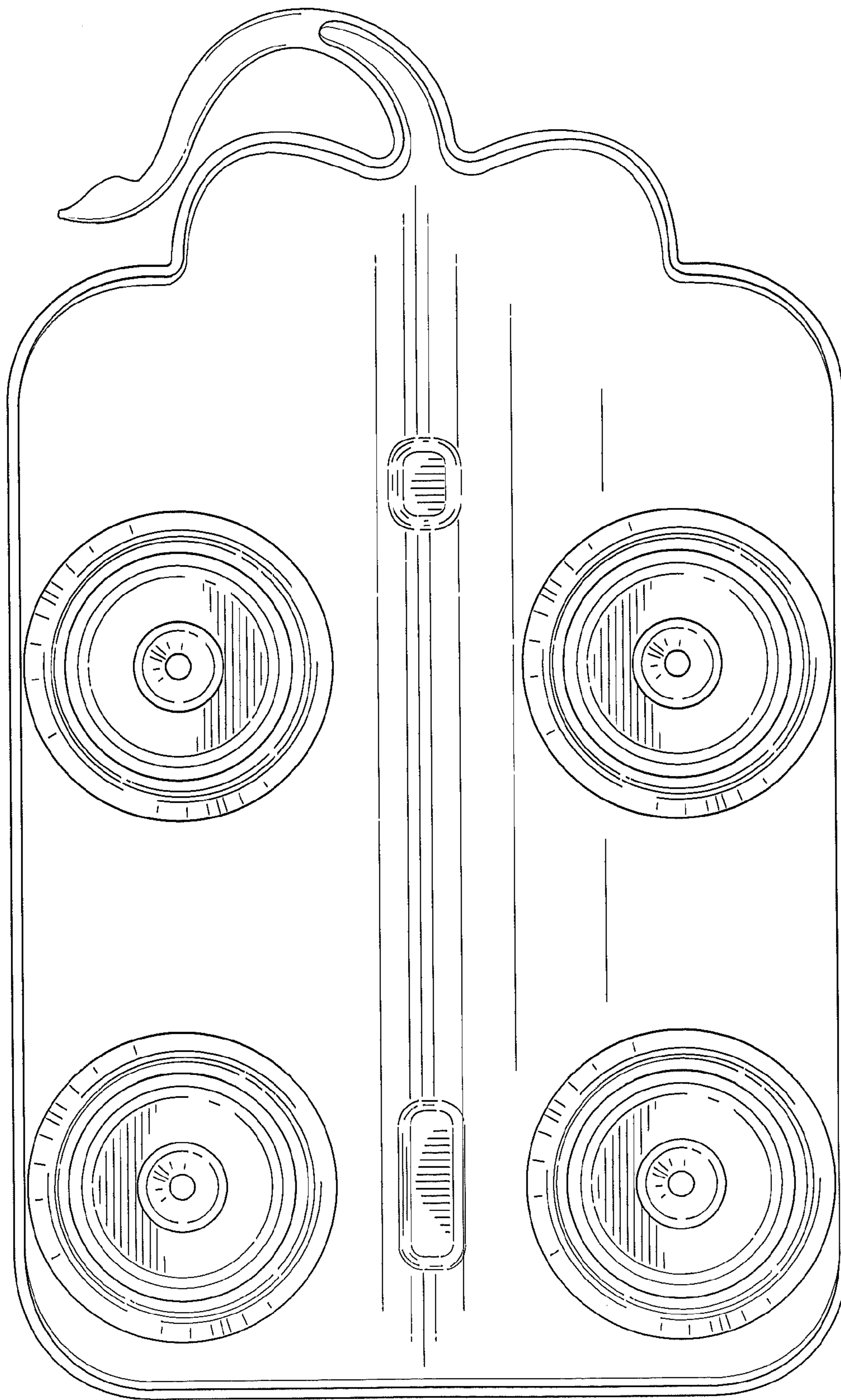


FIG. 23

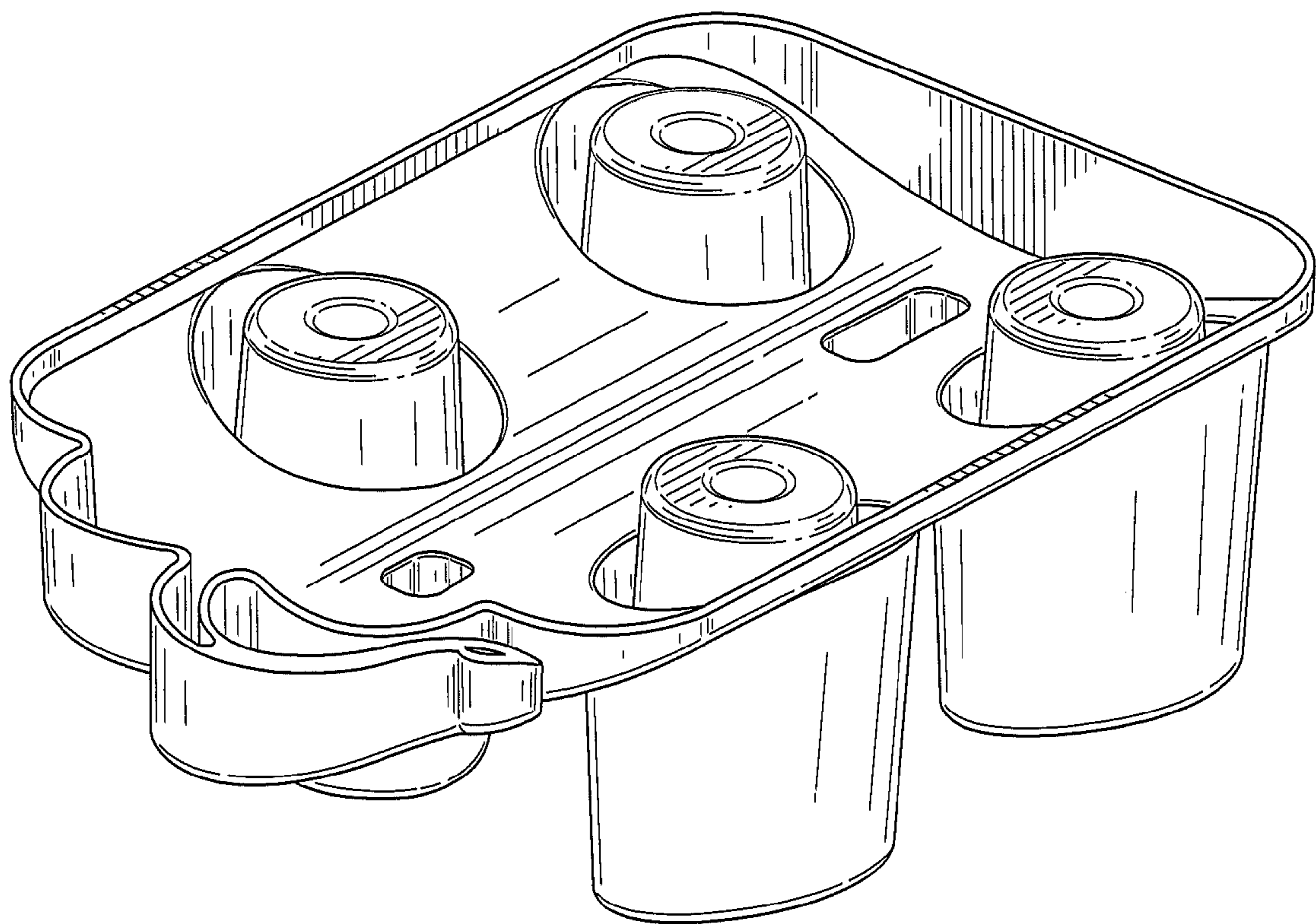


FIG. 24