

US00D720466S

(12) **United States Design Patent**
Edding

(10) **Patent No.:** **US D720,466 S**

(45) **Date of Patent:** **** Dec. 30, 2014**

(54) **DIAGNOSTIC DEVICE**

(71) Applicant: **Medmira Inc.**, Halifax (CA)

(72) Inventor: **Jacob Edding**, Halifax (CA)

(73) Assignee: **Medmira, Inc.**, Halifax (CA)

(**) Term: **14 Years**

(21) Appl. No.: **29/459,668**

(22) Filed: **Jul. 2, 2013**

(51) **LOC (10) Cl.** **24-01**

(52) **U.S. Cl.**
USPC **D24/216; D24/223**

(58) **Field of Classification Search**
USPC D24/216, 223, 224, 225, 226, 186;
D10/81; 435/288.7, 308.1, 287.1,
435/287.3, 288.3, 287.2, 287.7, 287.9,
435/288.5, 810, 973; 422/547, 549, 500,
422/556, 557, 554, 565, 68.1, 401, 402,
422/408, 420, 425, 430; 436/514, 518, 810
See application file for complete search history.

(56) **References Cited**

U.S. PATENT DOCUMENTS

D299,744 S *	2/1989	Bauer	D24/223
D316,298 S *	4/1991	Morrow	D24/223
D319,103 S *	8/1991	Chiu	D24/223
5,149,505 A *	9/1992	English et al.	422/547
D404,830 S *	1/1999	Childs et al.	D24/224

D407,825 S *	4/1999	Childs et al.	D24/223
D431,867 S *	10/2000	Maynard et al.	D24/216
D473,950 S *	4/2003	Carlson	D24/216
D498,850 S *	11/2004	Ukon	D24/223
7,205,159 B2 *	4/2007	Cole et al.	435/287.2
D547,879 S *	7/2007	Lee et al.	D24/223
D675,336 S *	1/2013	Laverack et al.	D24/223
2013/0022960 A1 *	1/2013	Xu et al.	435/5

* cited by examiner

Primary Examiner — Anhdao Doan

(74) *Attorney, Agent, or Firm* — David S. Resnick; Mark J. FitzGerald; Nixon Peabody LLP

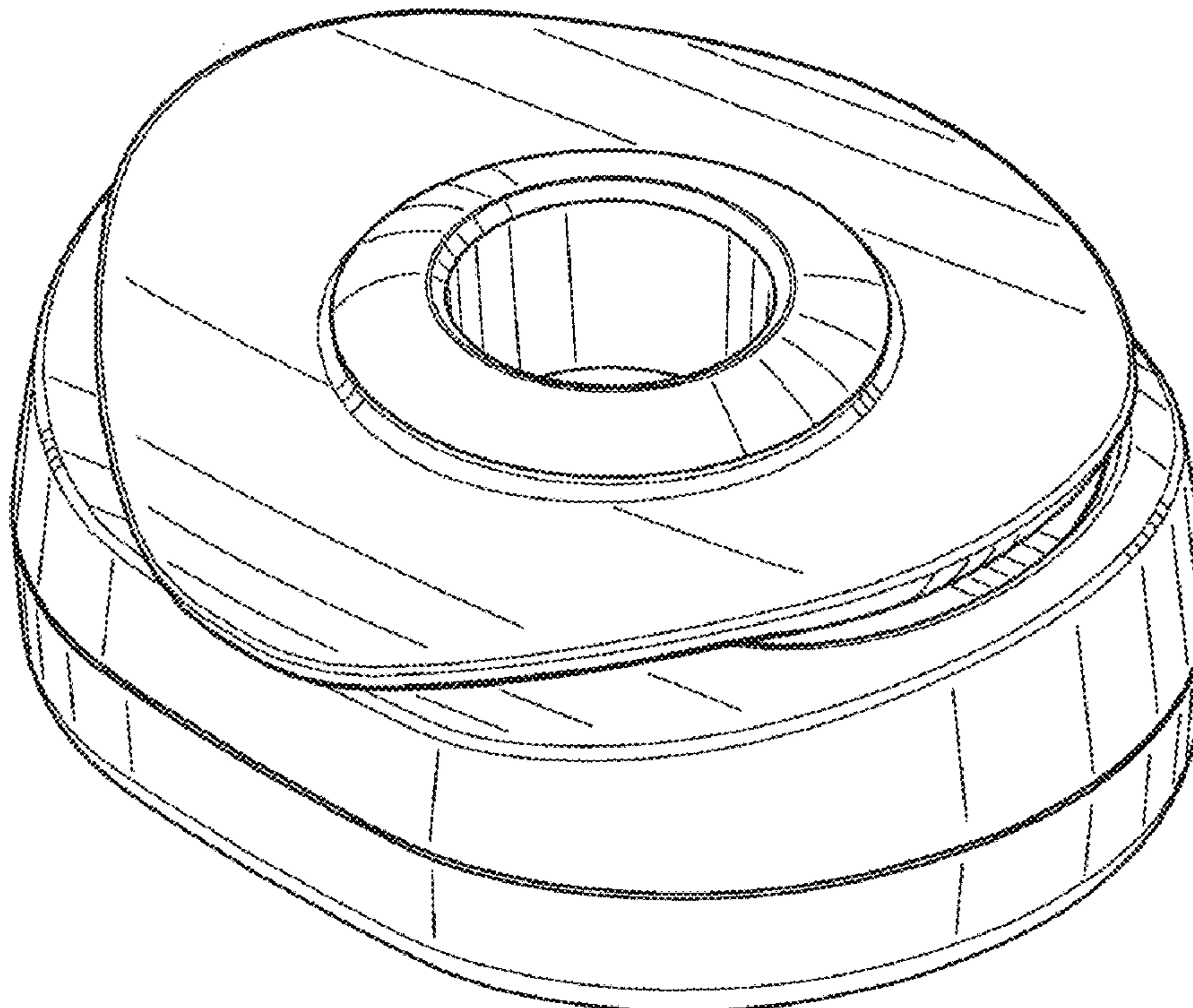
(57) **CLAIM**

The ornamental design for a diagnostic device, as shown and described.

DESCRIPTION

FIG. 1 is a front isometric view of our new, original and ornamental design;
FIG. 2 is bottom isometric view thereof;
FIG. 3 is a left side view thereof;
FIG. 4 is a front side view thereof;
FIG. 5 is a right side view thereof;
FIG. 6 is a back side view thereof;
FIG. 7 is a top plan view thereof;
FIG. 8 is a bottom plan view thereof; and,
FIG. 9 is an exploded front isometric view thereof.
The broken lines illustrate unclaimed portions of the diagnostic device and form no part of the claimed design.

1 Claim, 5 Drawing Sheets



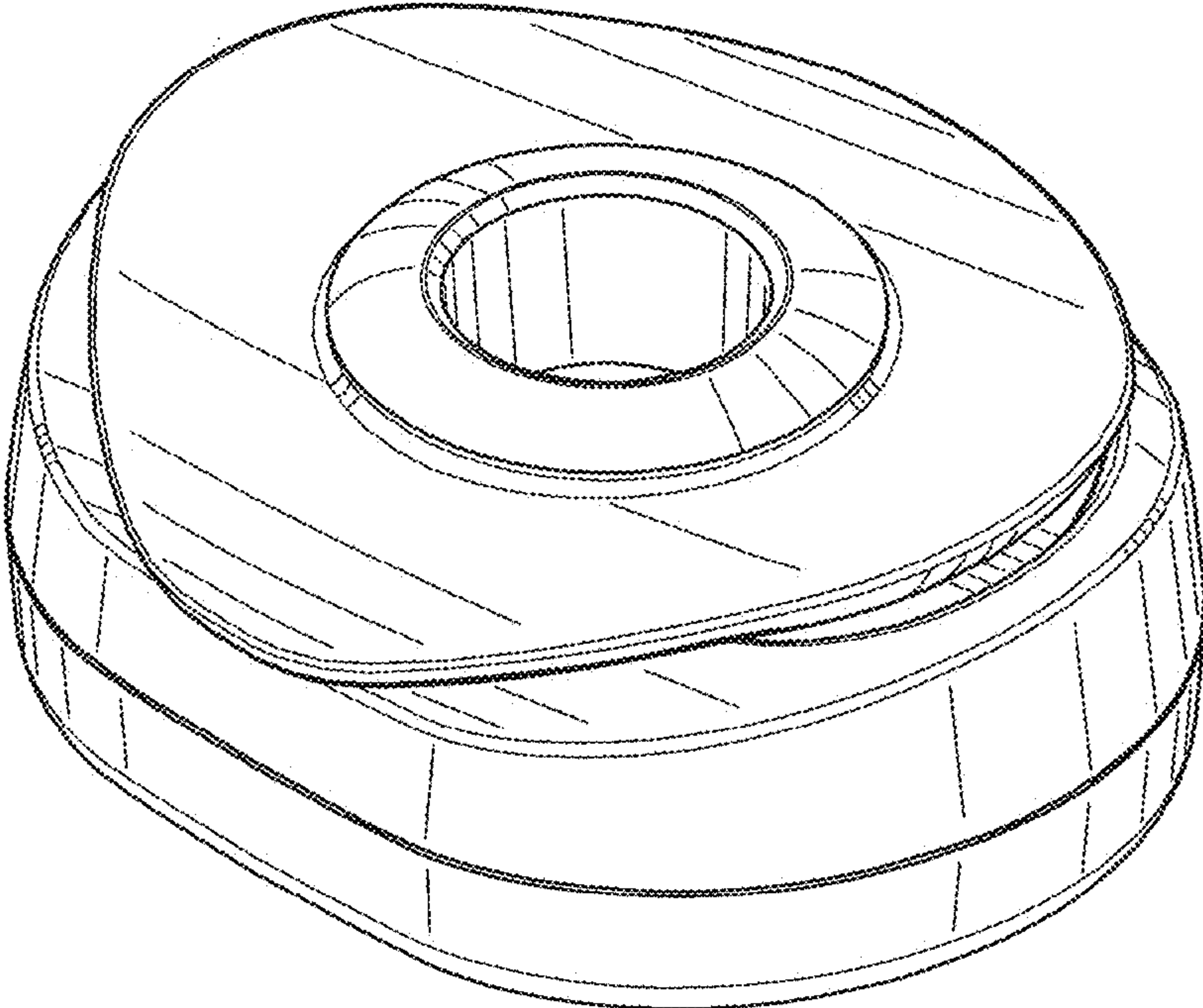


FIG. 1

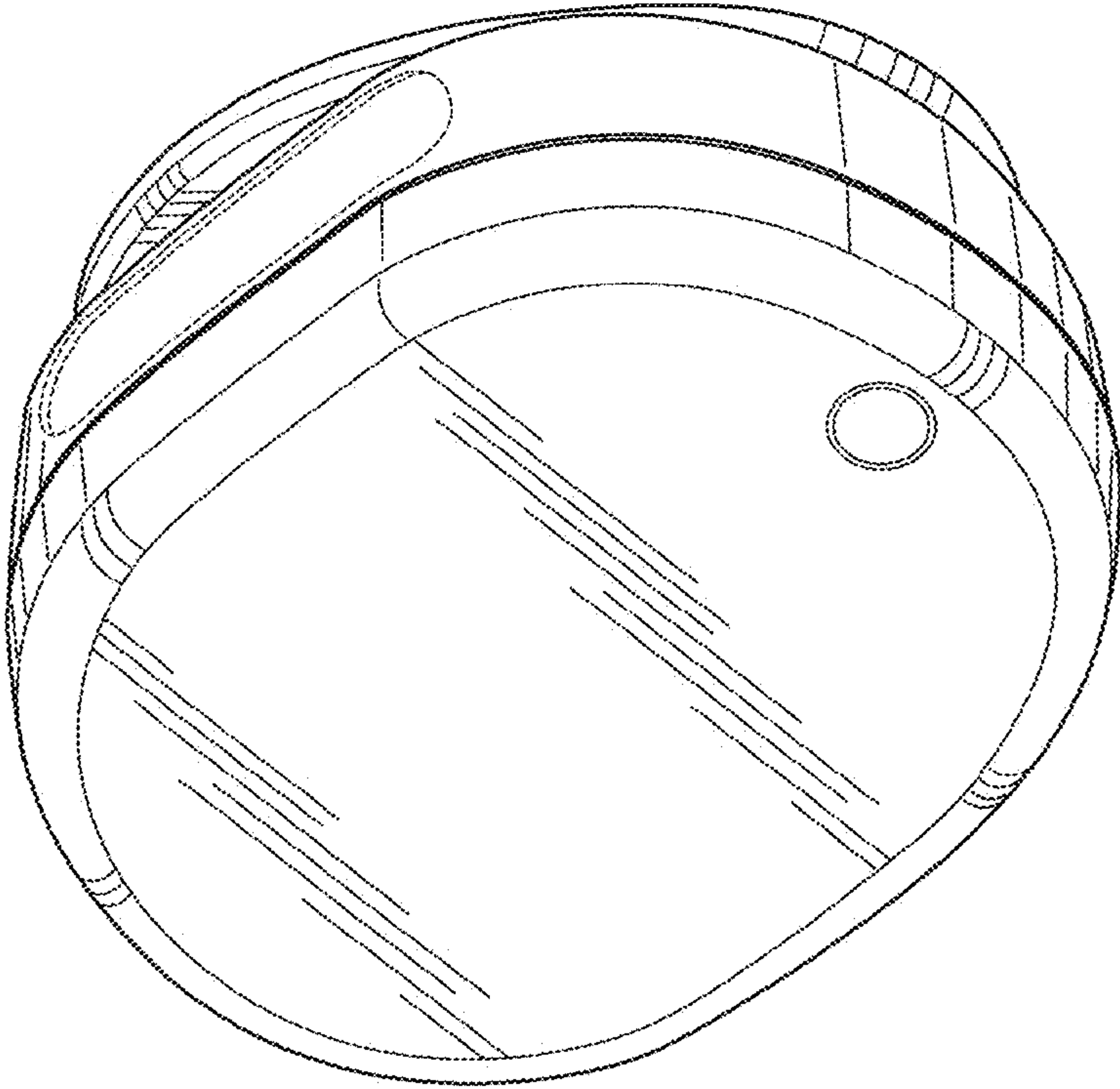


FIG. 2

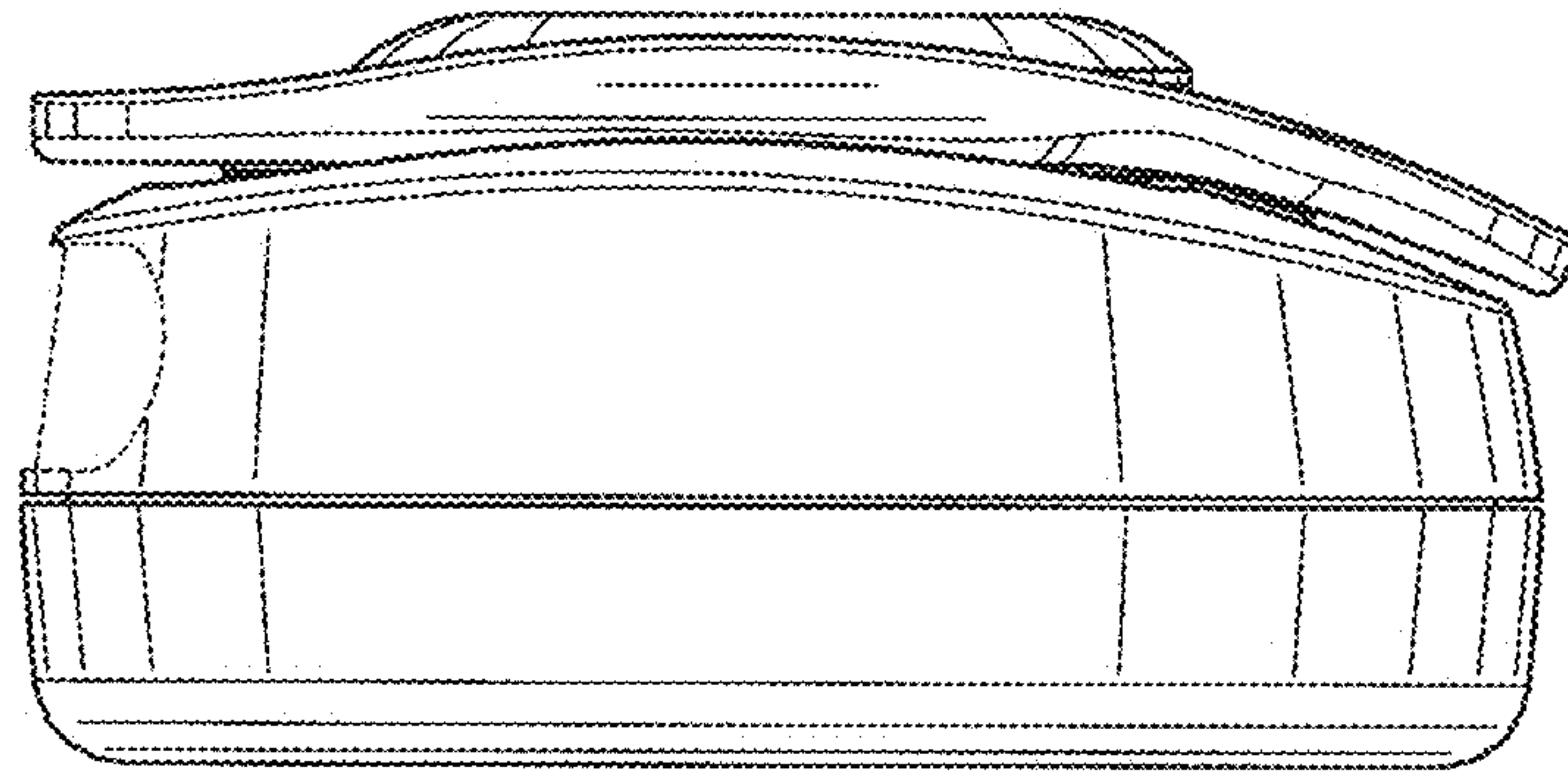


FIG. 3

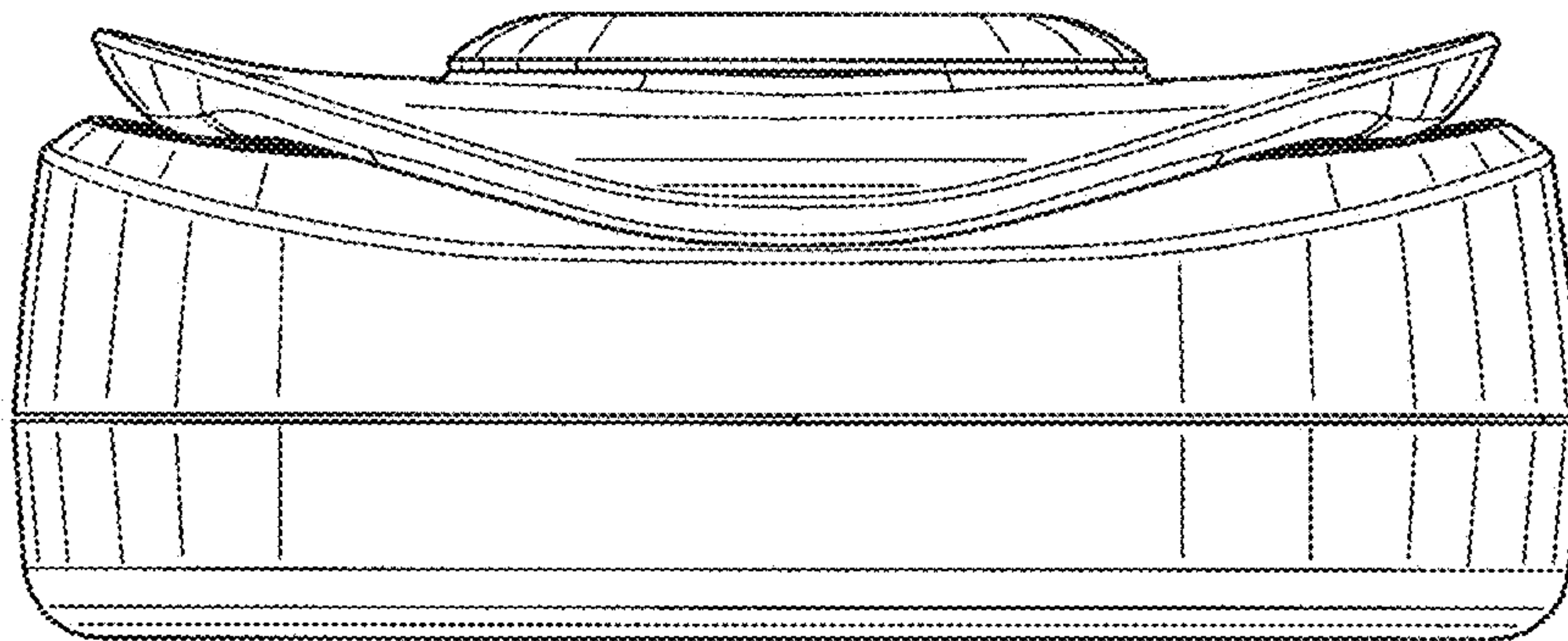


FIG. 4

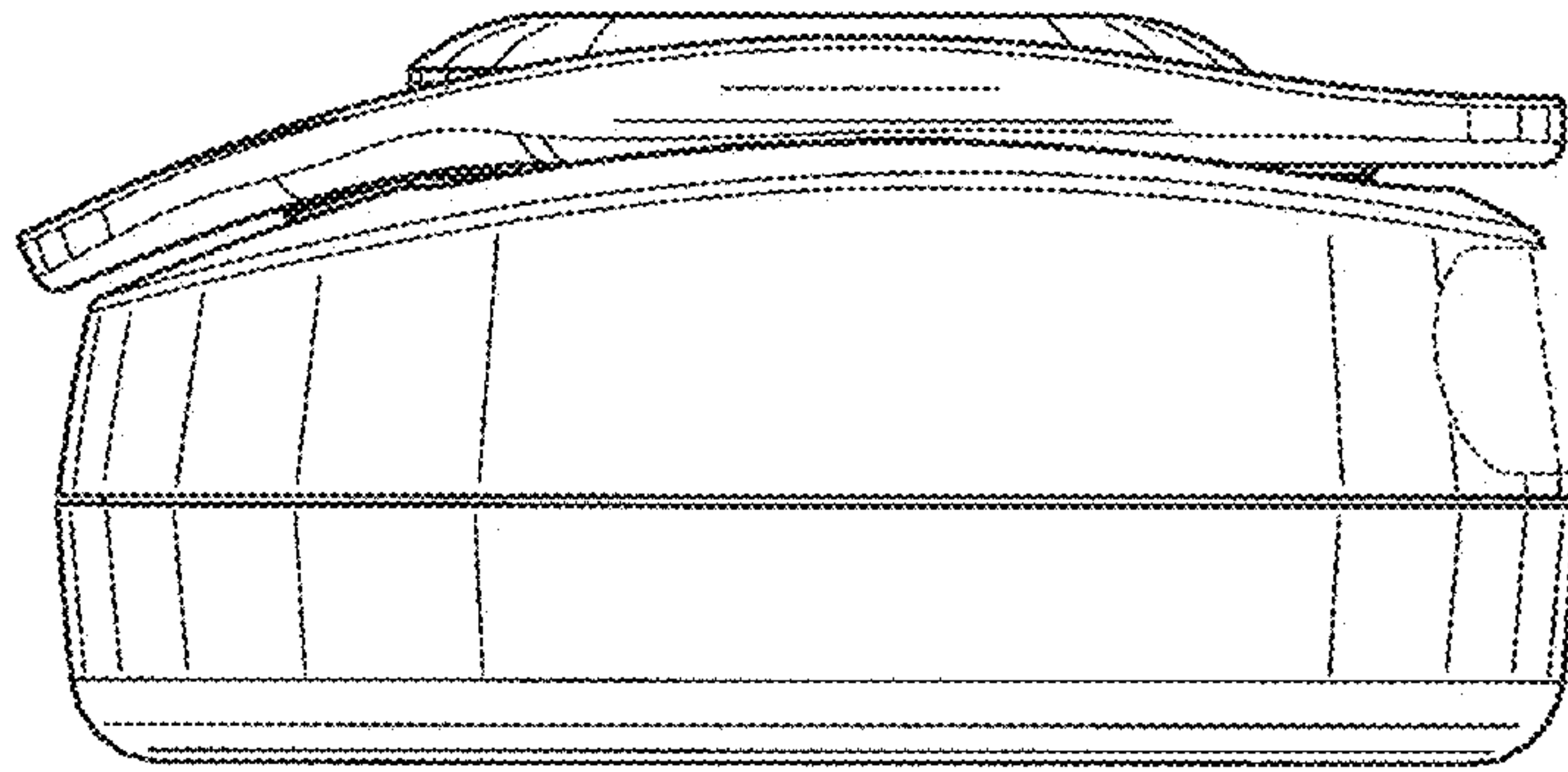


FIG. 5

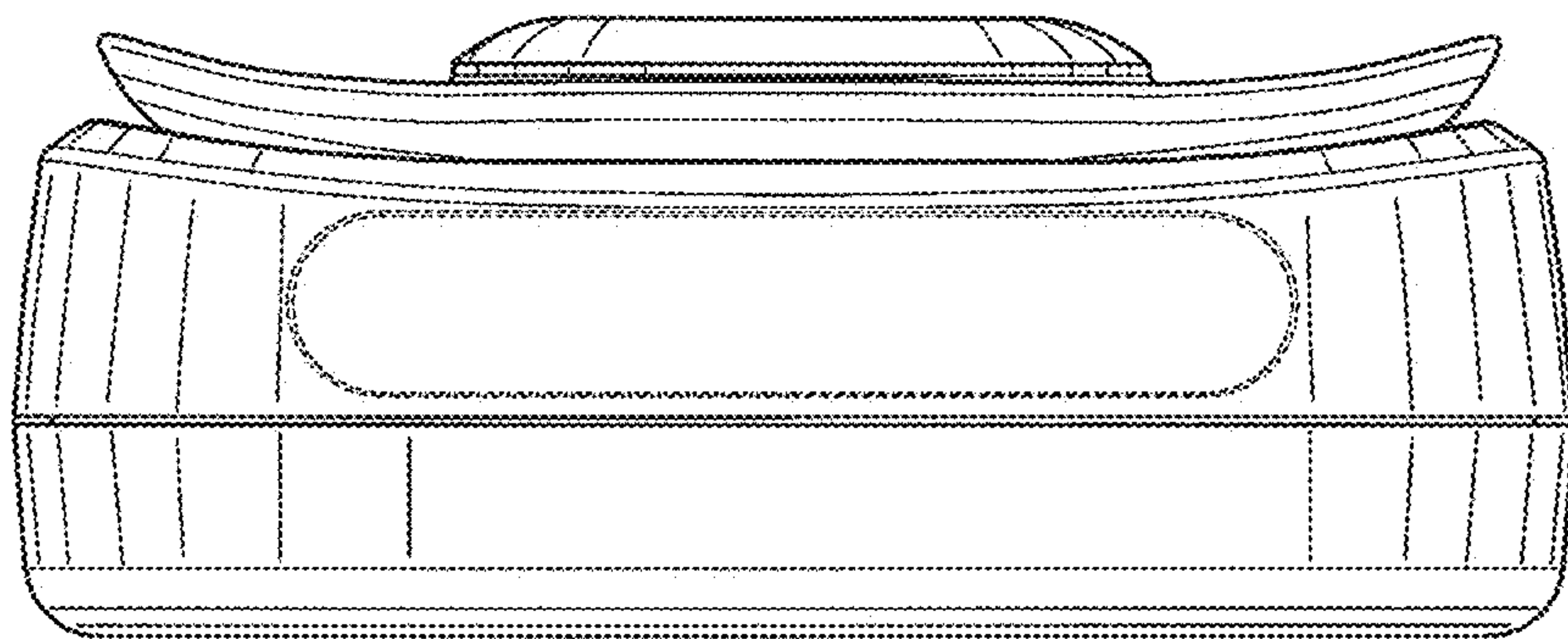


FIG. 6

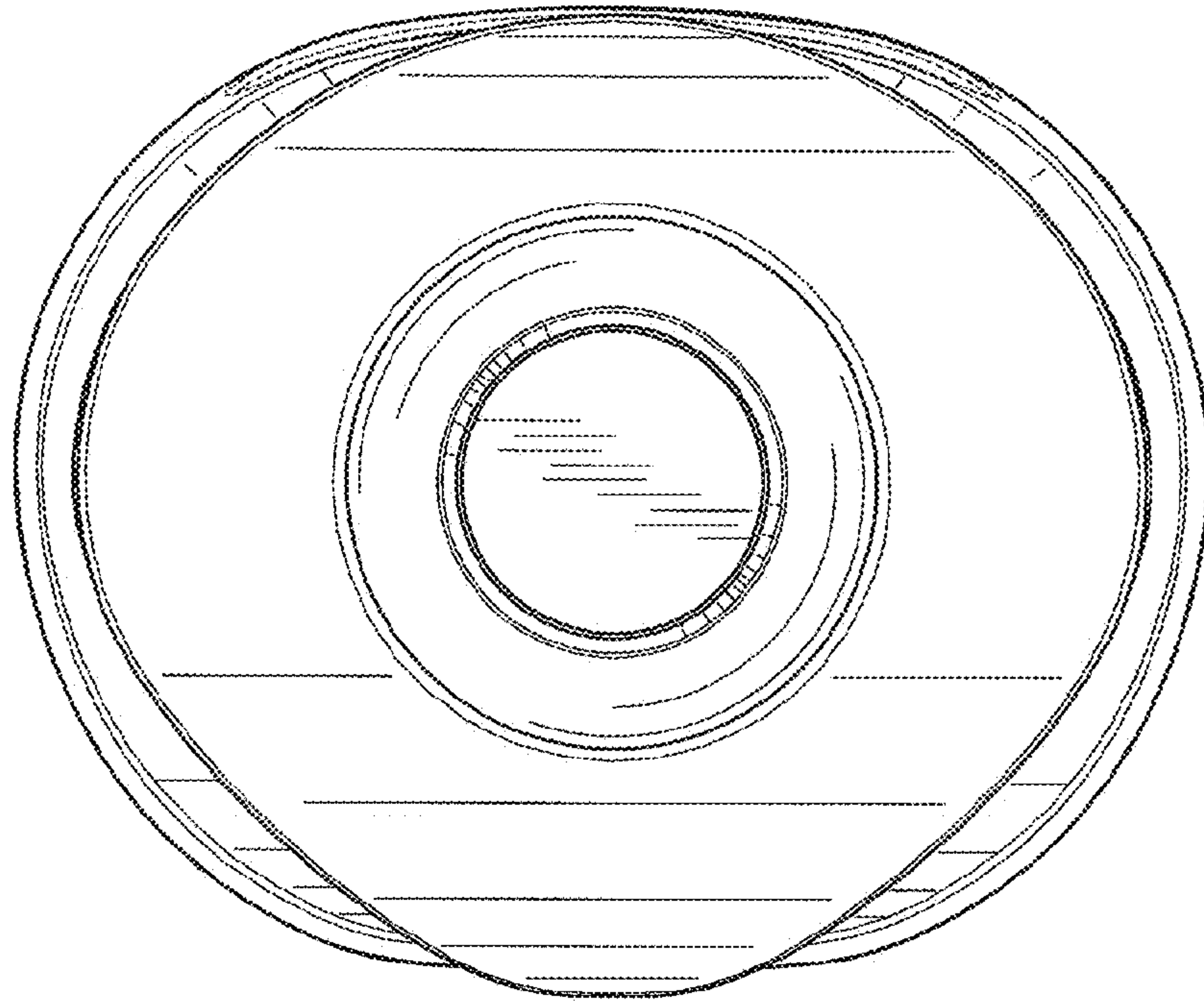


FIG. 7

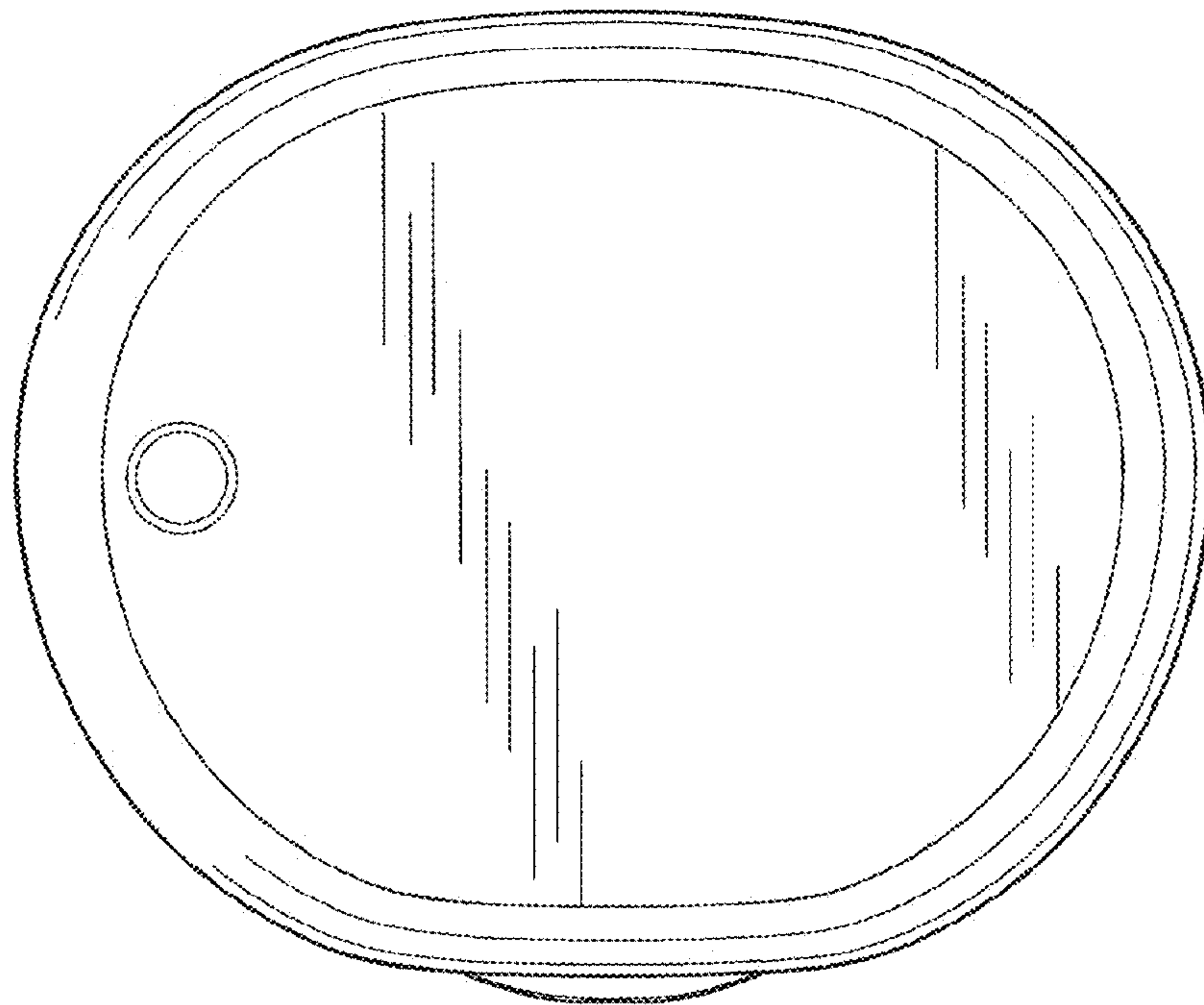


FIG. 8

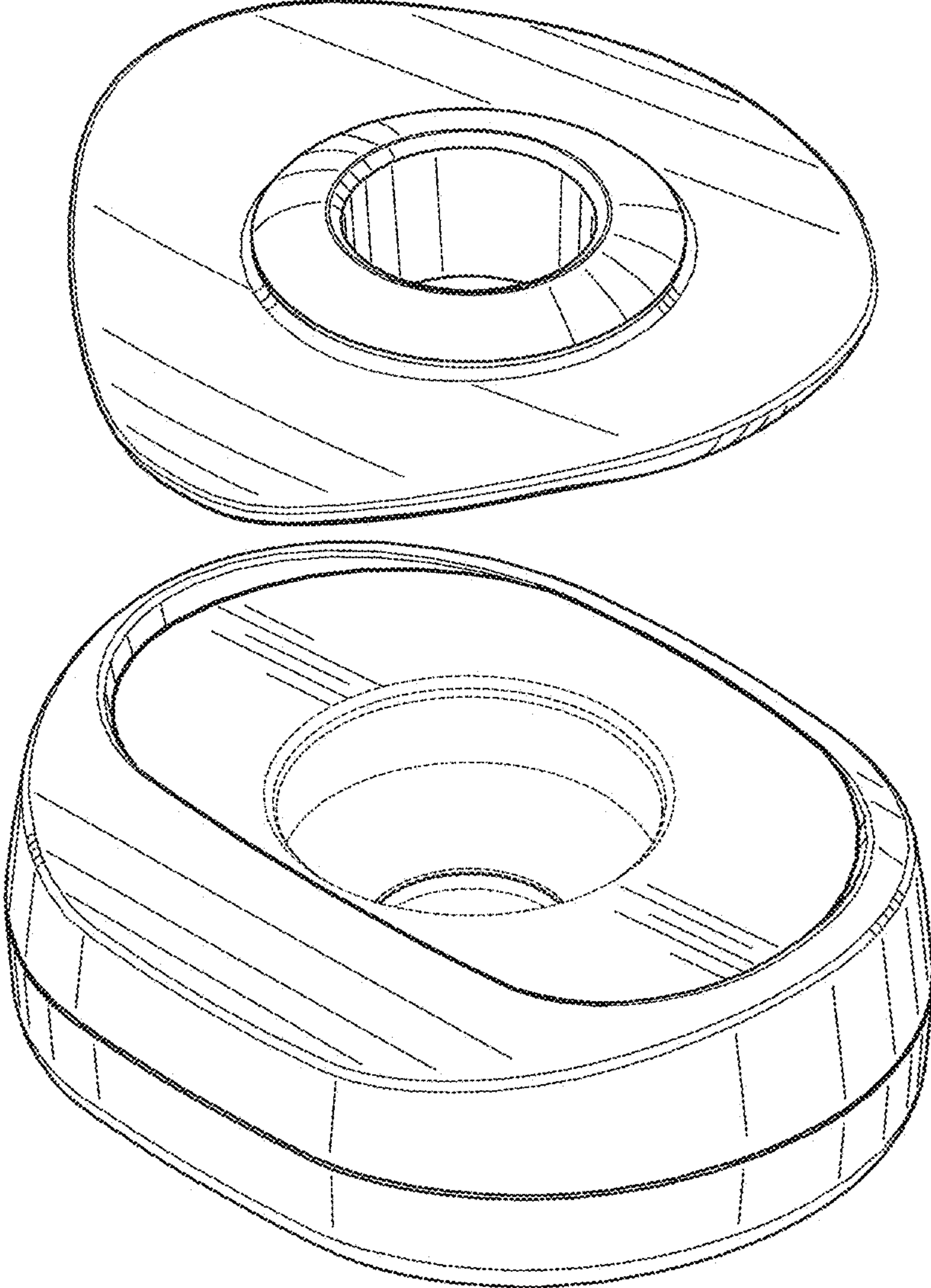


FIG. 9