



US00D720465S

(12) **United States Design Patent**
Prentice et al.

(10) **Patent No.:** **US D720,465 S**

(45) **Date of Patent:** **** Dec. 30, 2014**

(54) **VALVE**

4,401,224 A 8/1983 Alonso
4,723,668 A 2/1988 Cheng
4,730,744 A 3/1988 Vinciguerra

(Continued)

(75) Inventors: **Ruth Prentice**, Needham, MA (US);
Patrick Thrailkill, Newton, MA (US);
James J. Britto, Westport, MA (US)

FOREIGN PATENT DOCUMENTS

(73) Assignee: **Tomy International, Inc.**, Dyersville, IA (US)

WO 9521523 8/1995
WO 0054726 9/2000
WO 2011100416 8/2011

(**) Term: **14 Years**

OTHER PUBLICATIONS

(21) Appl. No.: **29/430,203**

PCT International Search Report and Written Opinion for Application No. PCT/US2012/051842 dated Feb. 28, 2013.

(22) Filed: **Aug. 22, 2012**

(Continued)

(51) **LOC (10) Cl.** **07-01**

(52) **U.S. Cl.**

USPC **D24/197**

(58) **Field of Classification Search**

USPC D24/197, 193, 207, 129, 127, 196;
220/694, 703, 227, 235, 714, 727, 745;
D9/452; 215/11.1, 11.2, 11.3, 11.4,
215/11.5, 11.6, 344

See application file for complete search history.

Primary Examiner — George D Kirschbaum

Assistant Examiner — Kendra L Hamilton

(74) *Attorney, Agent, or Firm* — Michael Best & Friedrich LLP

(57) **CLAIM**

We claim the ornamental design for a valve, as shown and described.

DESCRIPTION

FIG. 1 is a perspective view of a valve in a baby bottle.
FIG. 2 is a perspective view of the valve shown in FIG. 1.
FIG. 3 is a top view of the valve shown in FIG. 1.
FIG. 4 is a bottom view of the valve shown in FIG. 1.
FIG. 5 is a left side view of the valve shown in FIG. 1.
FIG. 6 is a right side view of the valve shown in FIG. 1.
FIG. 7 is a front view of the valve shown in FIG. 1; and,
FIG. 8 is a rear view of the valve shown in FIG. 1.

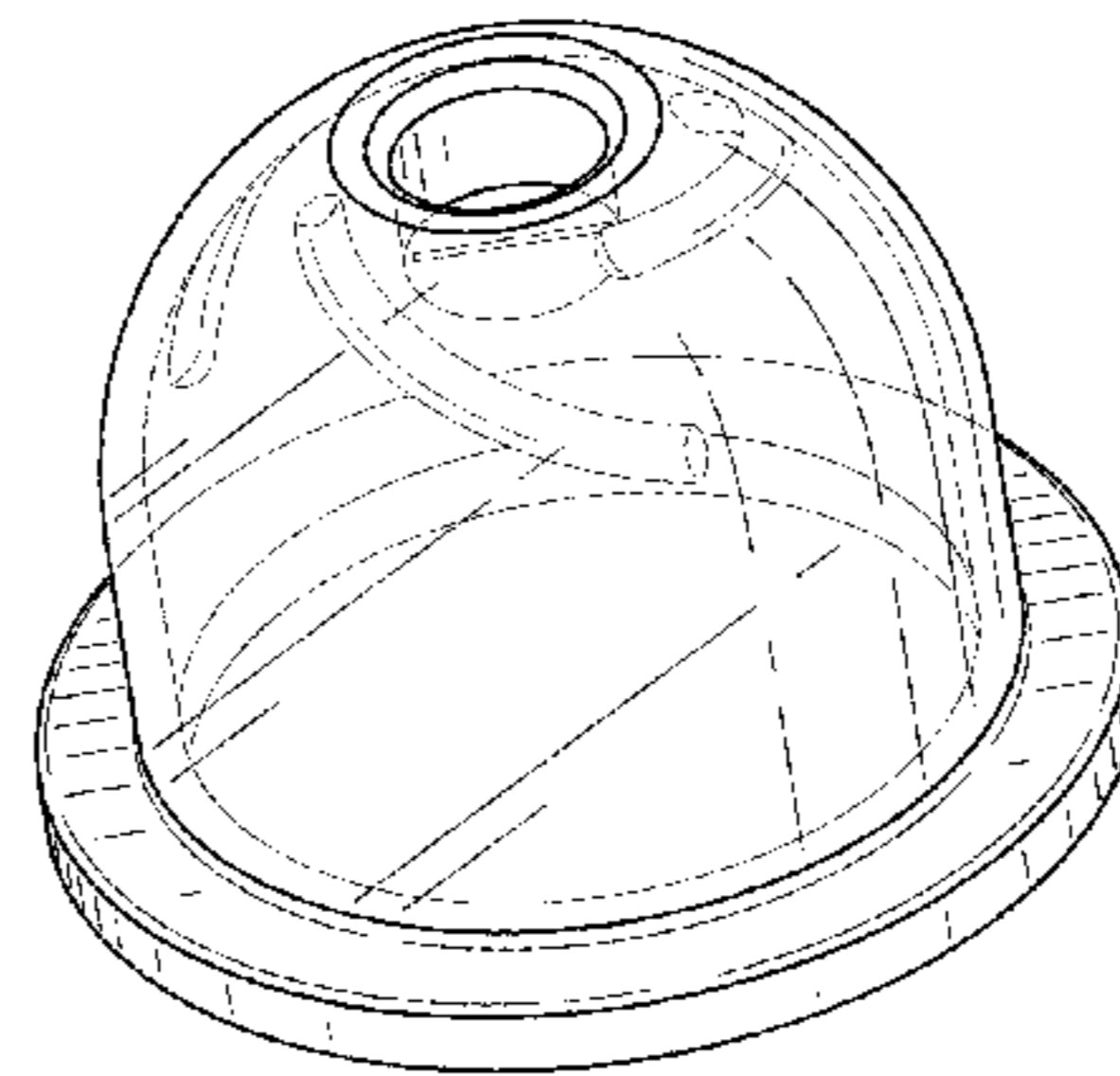
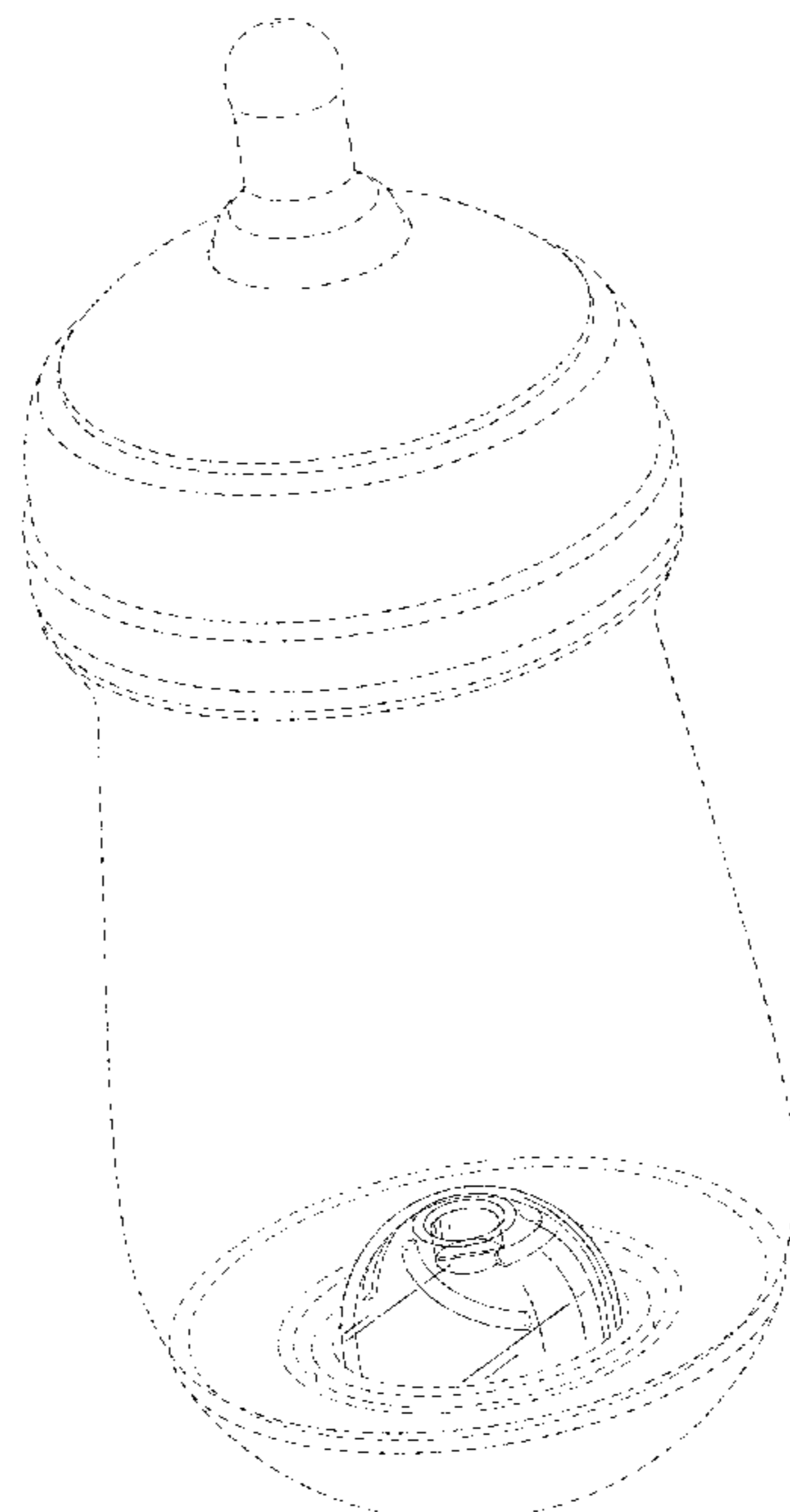
The present application is directed to the shape and contour of the design illustrated in the drawings. Broken lines illustrating the environment form no part of the claimed design.

1 Claim, 3 Drawing Sheets

(56) **References Cited**

U.S. PATENT DOCUMENTS

2,084,099 A 6/1937 Maccoy
2,321,236 A 6/1943 Parkin
2,989,961 A 6/1961 Blanchett
3,092,276 A 6/1963 Schaar
3,203,569 A 8/1965 Shomock et al.
3,292,808 A 12/1966 Greene
3,768,682 A 10/1973 Meyers et al.
3,768,683 A 10/1973 Van Den Bosch
D235,315 S * 6/1975 Kotuby D9/448
4,165,816 A 8/1979 Tupper



(56)

References Cited

U.S. PATENT DOCUMENTS

4,828,126 A 5/1989 Vinciguerra
 4,865,207 A 9/1989 Joyner et al.
 4,898,291 A 2/1990 Sailors
 4,928,836 A 5/1990 Wu et al.
 5,035,340 A 7/1991 Timmons
 5,211,298 A 5/1993 Bloch
 5,263,599 A 11/1993 Sklar
 D358,294 S * 5/1995 Letica D7/392.1
 5,431,290 A 7/1995 Vinciguerra
 5,439,125 A 8/1995 Bloch
 5,499,729 A 3/1996 Greenwood et al.
 5,522,516 A 6/1996 Duggal et al.
 5,551,583 A 9/1996 Sachathamakul et al.
 5,570,796 A 11/1996 Brown et al.
 5,588,548 A 12/1996 Brankley
 5,607,074 A 3/1997 De Gennaro
 5,664,705 A 9/1997 Stolper
 5,667,084 A 9/1997 Duggal et al.
 5,779,071 A 7/1998 Brown et al.
 D396,639 S * 8/1998 Pedersen-Rask D9/454
 5,791,503 A 8/1998 Lyons
 5,908,129 A 6/1999 Schutz
 5,950,689 A 9/1999 Varlet
 5,993,479 A 11/1999 Prentiss
 D420,448 S 2/2000 Brown et al.
 D423,107 S 4/2000 Brown et al.
 6,092,680 A 7/2000 Pillado
 6,161,710 A 12/2000 Dieringer et al.
 6,209,736 B1 4/2001 Chen et al.
 D452,326 S * 12/2001 Atkin et al. D24/197
 D461,679 S * 8/2002 Robinson et al. D7/392.1
 6,446,822 B1 9/2002 Meyers et al.
 6,588,613 B1 7/2003 Pechenik et al.
 D478,669 S 8/2003 Wear
 6,601,720 B2 8/2003 Meyers et al.
 6,742,665 B2 6/2004 Lombardo
 6,786,345 B2 9/2004 Richards
 D523,333 S * 6/2006 Moretti D9/444
 D532,296 S * 11/2006 Beaver et al. D9/445
 D534,076 S * 12/2006 Green et al. D9/435
 7,163,113 B2 1/2007 Manganiello et al.
 7,172,084 B1 2/2007 Williams et al.
 7,172,086 B2 2/2007 McKendry et al.
 7,326,234 B2 2/2008 Lieberman et al.
 7,537,133 B2 5/2009 Naesje
 7,600,647 B2 10/2009 Strickler et al.

D603,261 S * 11/2009 Arnell et al. D9/453
 7,762,423 B2 7/2010 Lieberman et al.
 7,798,347 B2 9/2010 Rees
 D663,203 S * 7/2012 Bodkin D9/454
 D673,283 S * 12/2012 Mitchell D24/197
 D674,103 S * 1/2013 Smith D24/197
 D678,598 S * 3/2013 Wu et al. D26/120
 2003/0089676 A1 5/2003 Uehara et al.
 2004/0069350 A1 4/2004 Danby et al.
 2005/0006415 A1 1/2005 Kiehne
 2005/0133546 A1 6/2005 Carvalho
 2005/0258124 A1 11/2005 Brown et al.
 2005/0258125 A1 11/2005 Kiehne
 2005/0263480 A1 12/2005 Smolko et al.
 2006/0037927 A1 2/2006 Williams et al.
 2006/0124573 A1 6/2006 Nachumi
 2006/0201902 A1 9/2006 Brown et al.
 2007/0045215 A1 3/2007 Holley, Jr. et al.
 2007/0145060 A1 6/2007 Connors, Jr. et al.
 2010/0308003 A1 12/2010 Morrill et al.
 2011/0168714 A1 7/2011 Renz
 2011/0180508 A1 7/2011 Fong

OTHER PUBLICATIONS

Pampers Natural Stage Feeding Bottle, sample pictured at <http://shopping.yahoo.com/791369232-natural-stage-1-feeding-bottle-bpa-free-5-oz/>; picture available prior to Aug. 22, 2012.
 Green Sprouts Feeding Bottles, samples pictured at <http://www.iplaybabywear.com/index.php/greensprouts/feeding/bottles-cups.html/>.
 Dr. Brown's Natural Flow Feeding Bottles; samples pictured at <http://www.handi-craft.com/bottles/standardwide-neck/>.
 Tommee Tippee Closer to Nature Feeding Bottles; samples pictured at http://www.tommeetippee.us/bottle_feeding.html.
 Born Free Feeding Bottles; samples pictured at <http://www.newbornfree.com/products/bottles-nipples>.
 Philips Avent Natural Feeding Bottle; brochure available prior to Aug. 22, 2012.
 Philips Avent Bottle Comparison Chart.
 Nuk Orthodontic Bottles; samples pictured at <http://www.nuk-usa.com/all-products/bottles-and-accessories.aspx>.
 Medela Breastmilk Bottles; samples pictured at <http://www.medela.com/IW/en/breastfeeding/products/breastmilk-collecting/breastmilk-bottles-home-use.html>.
 Playtex Ventaire Advanced Bottle; sample pictured at <http://www.playtexbaby.com/Bottles/VentAire/Advanced-Wide>.

* cited by examiner

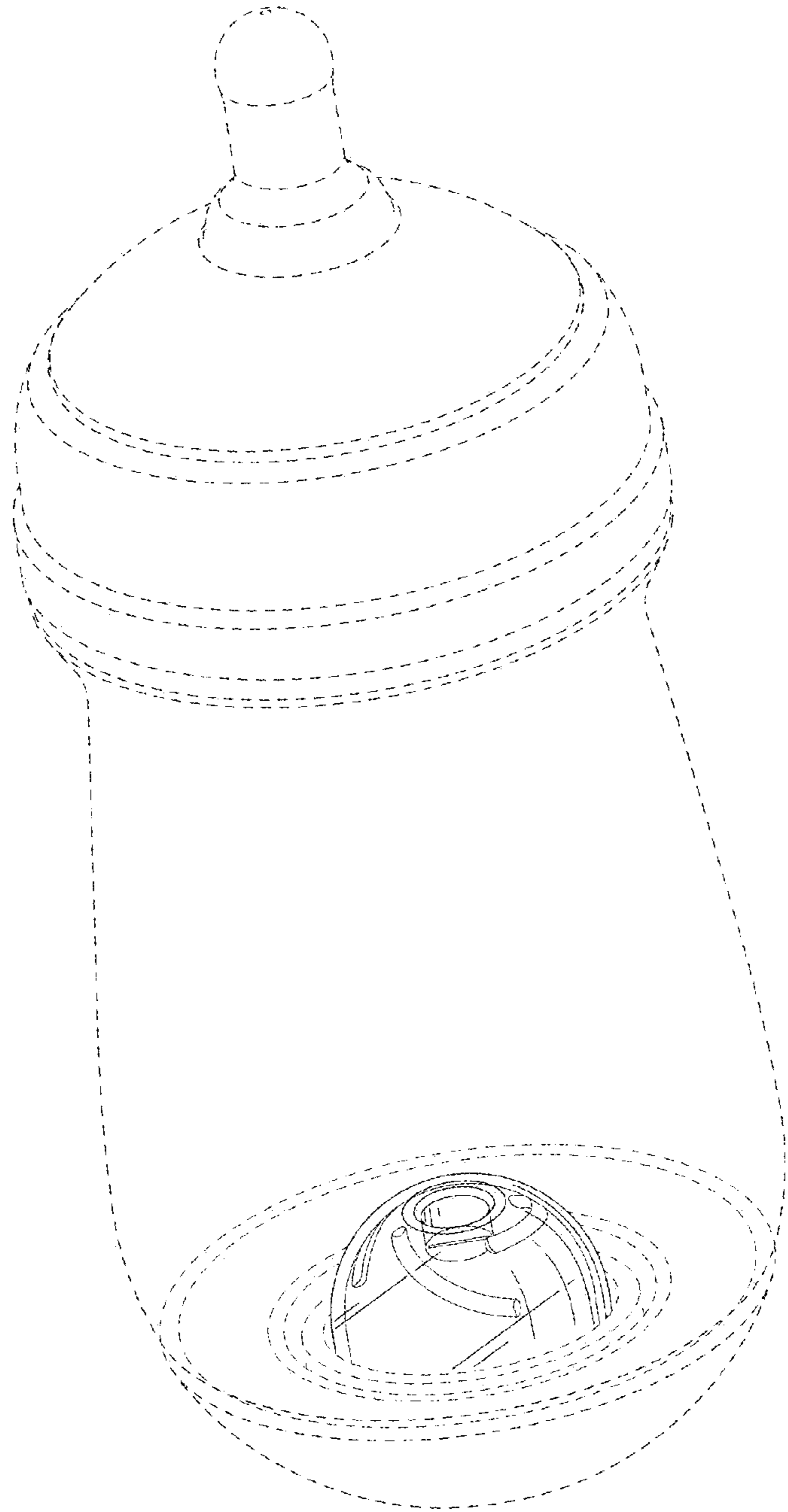


FIG. 1

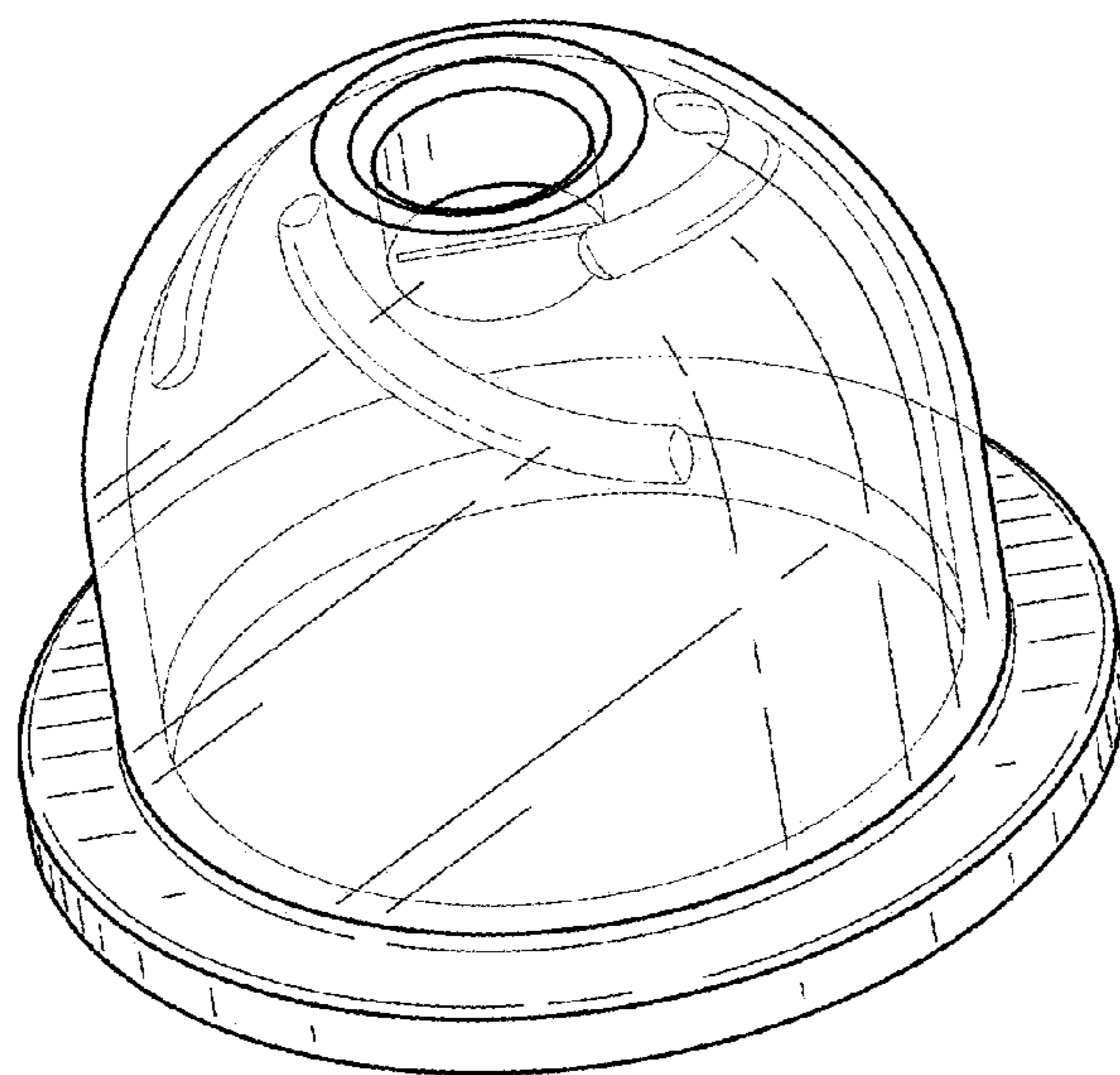


FIG. 2

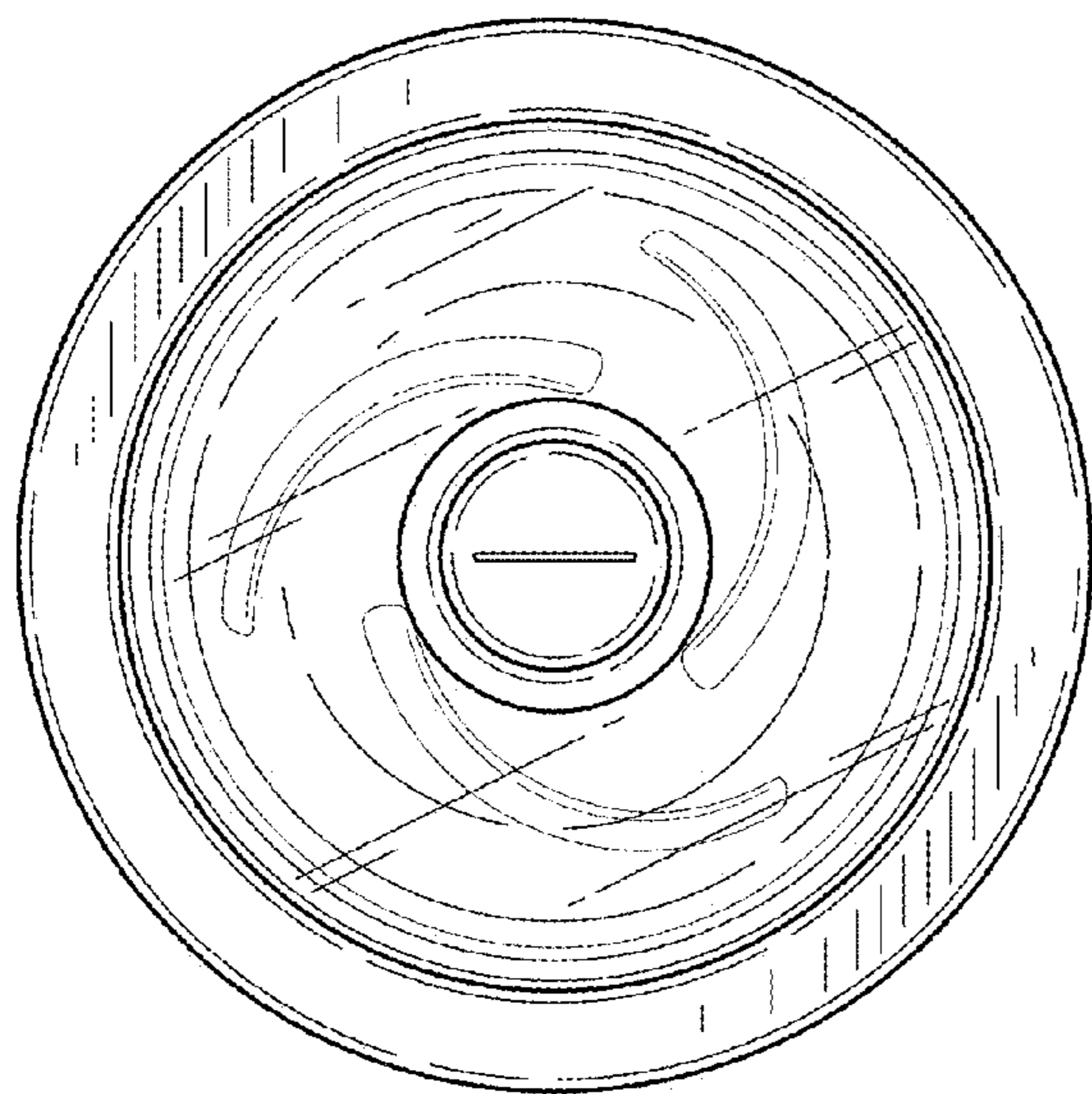


FIG. 3

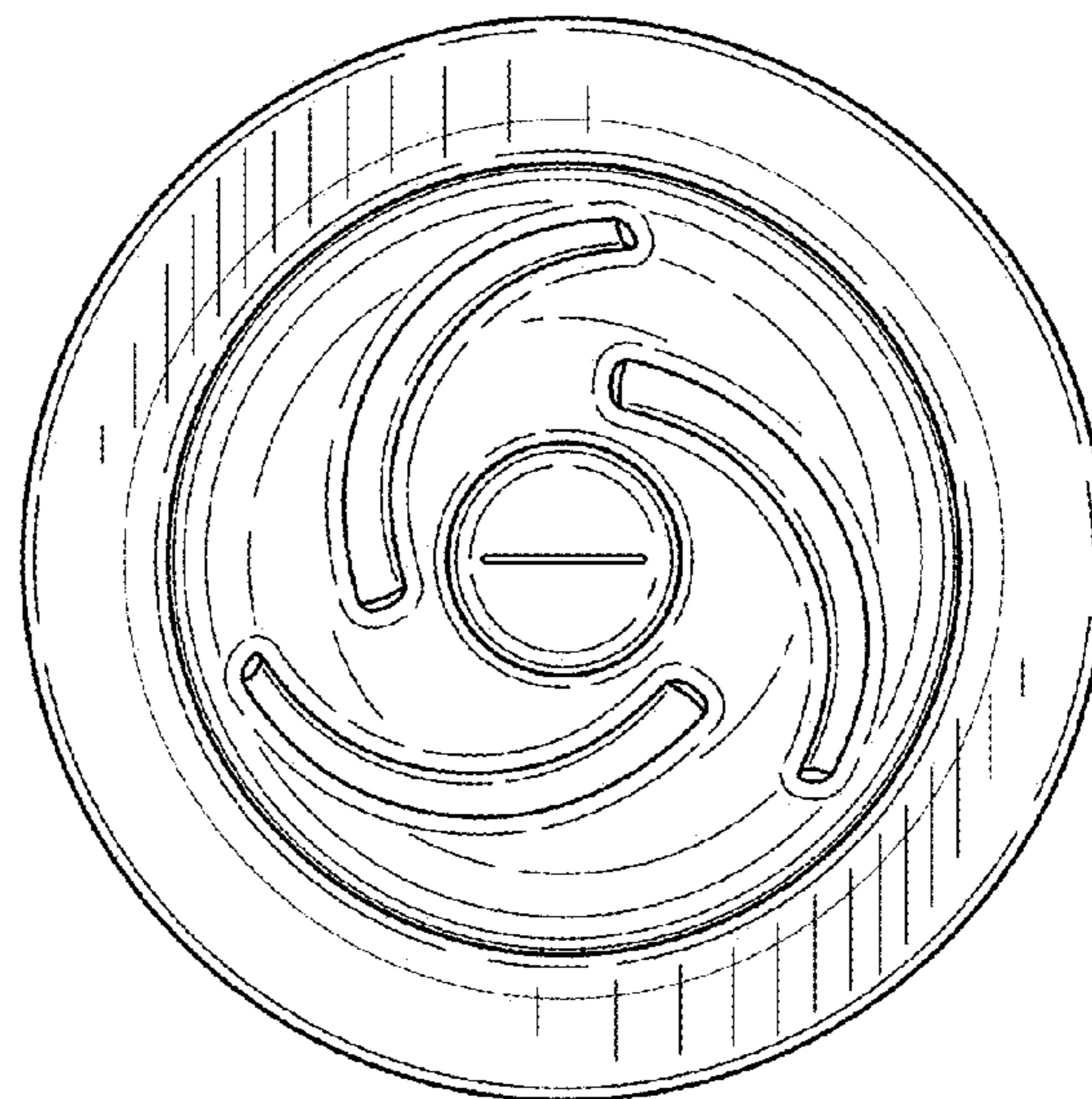


FIG. 4

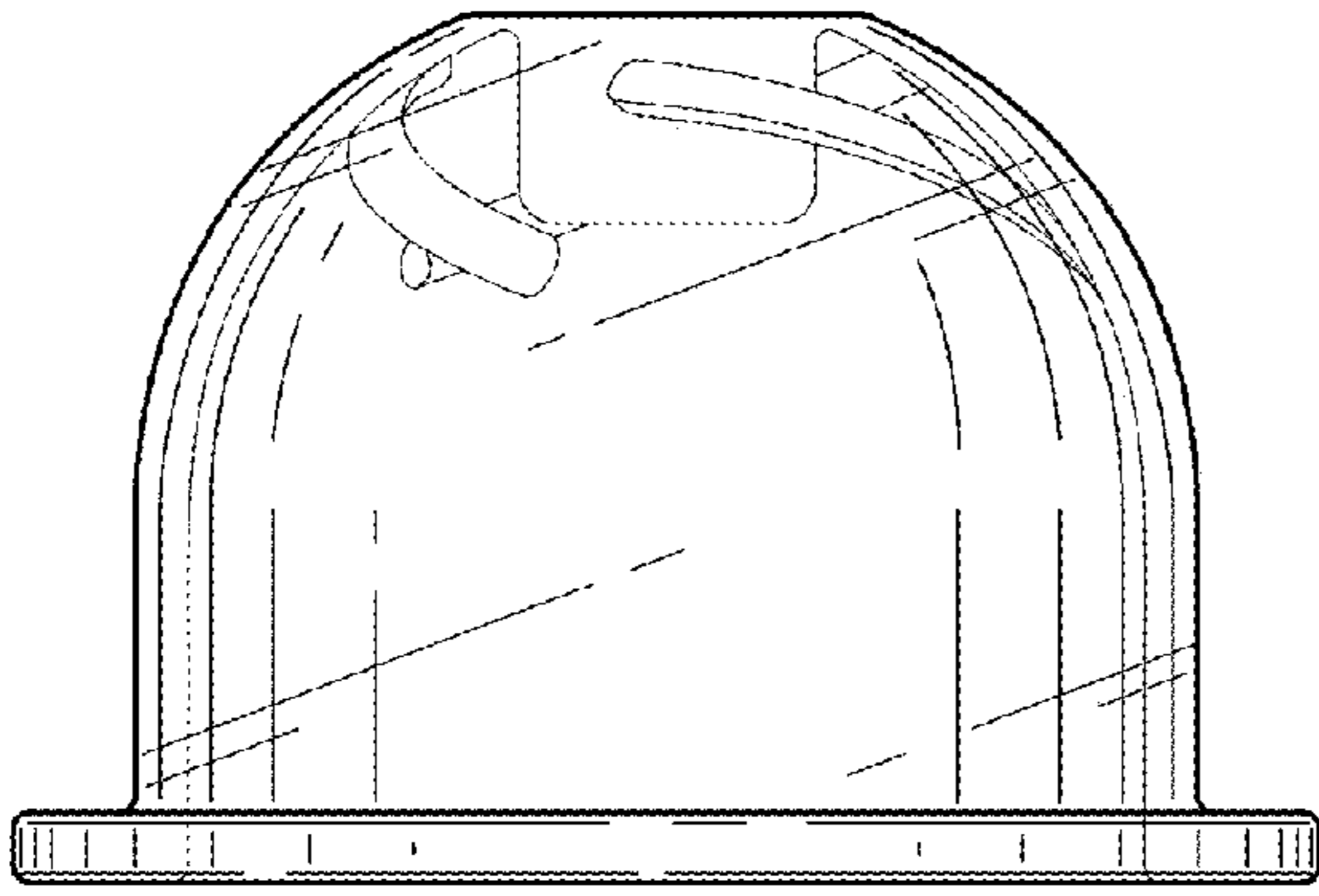


FIG. 5

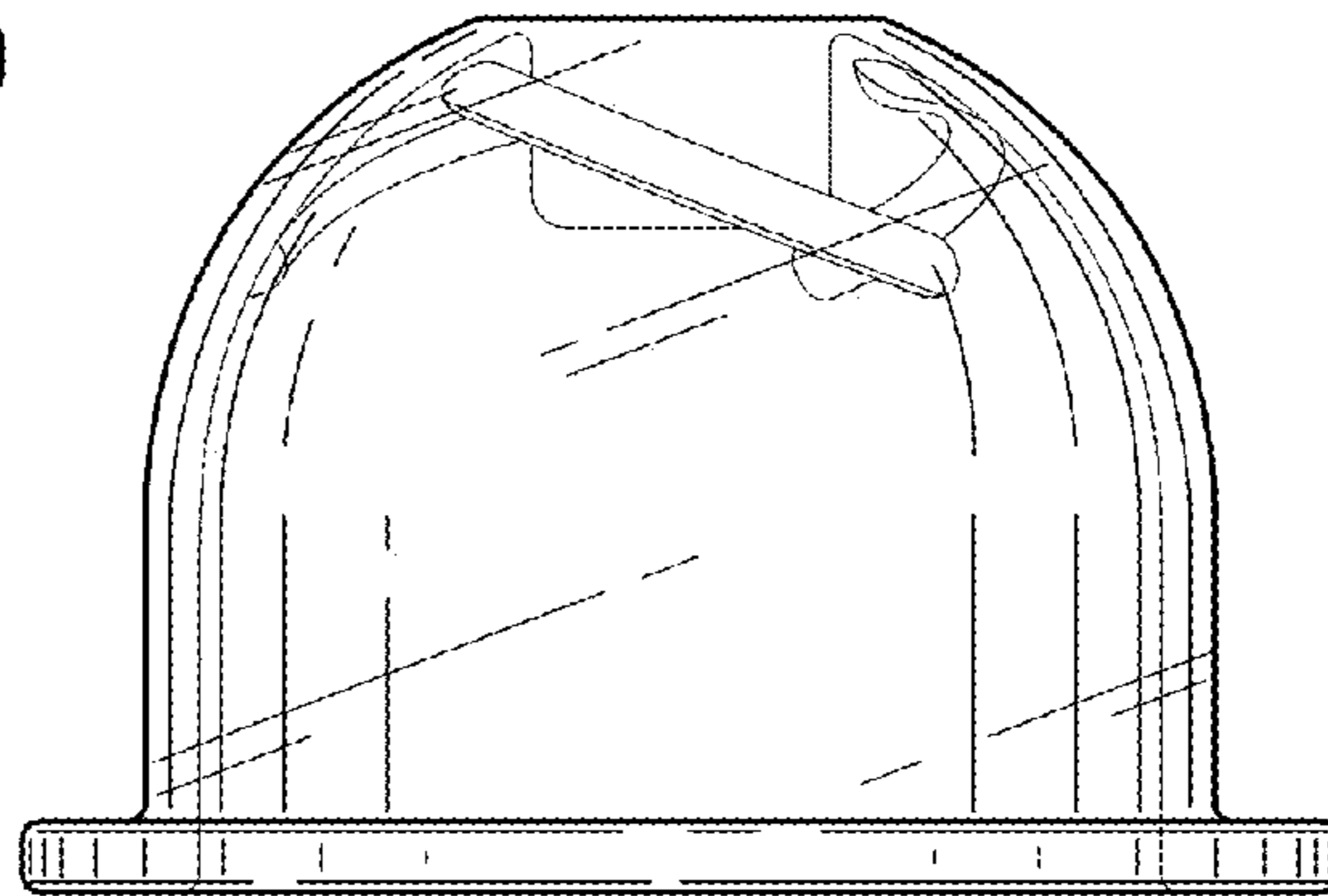


FIG. 6

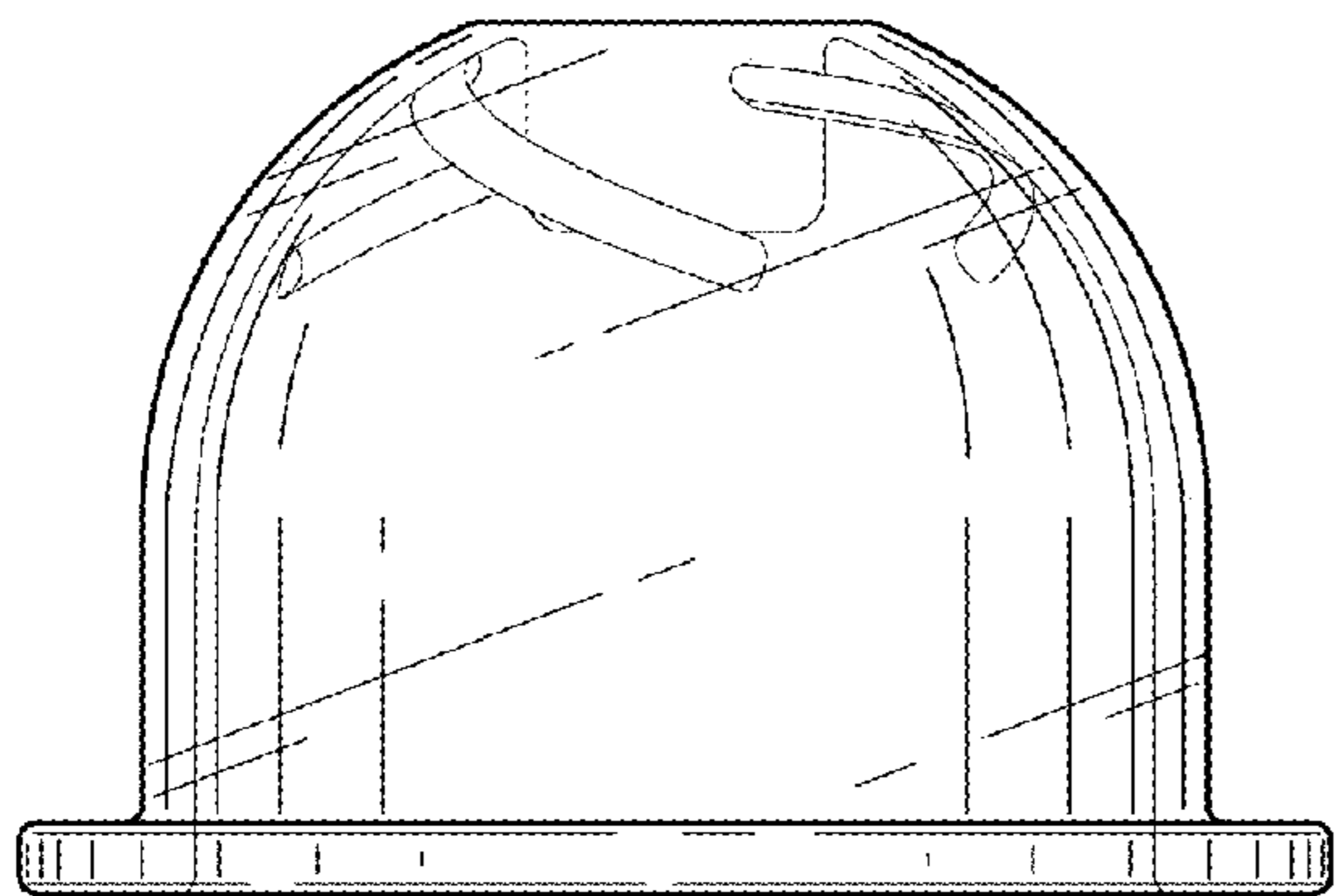


FIG. 7

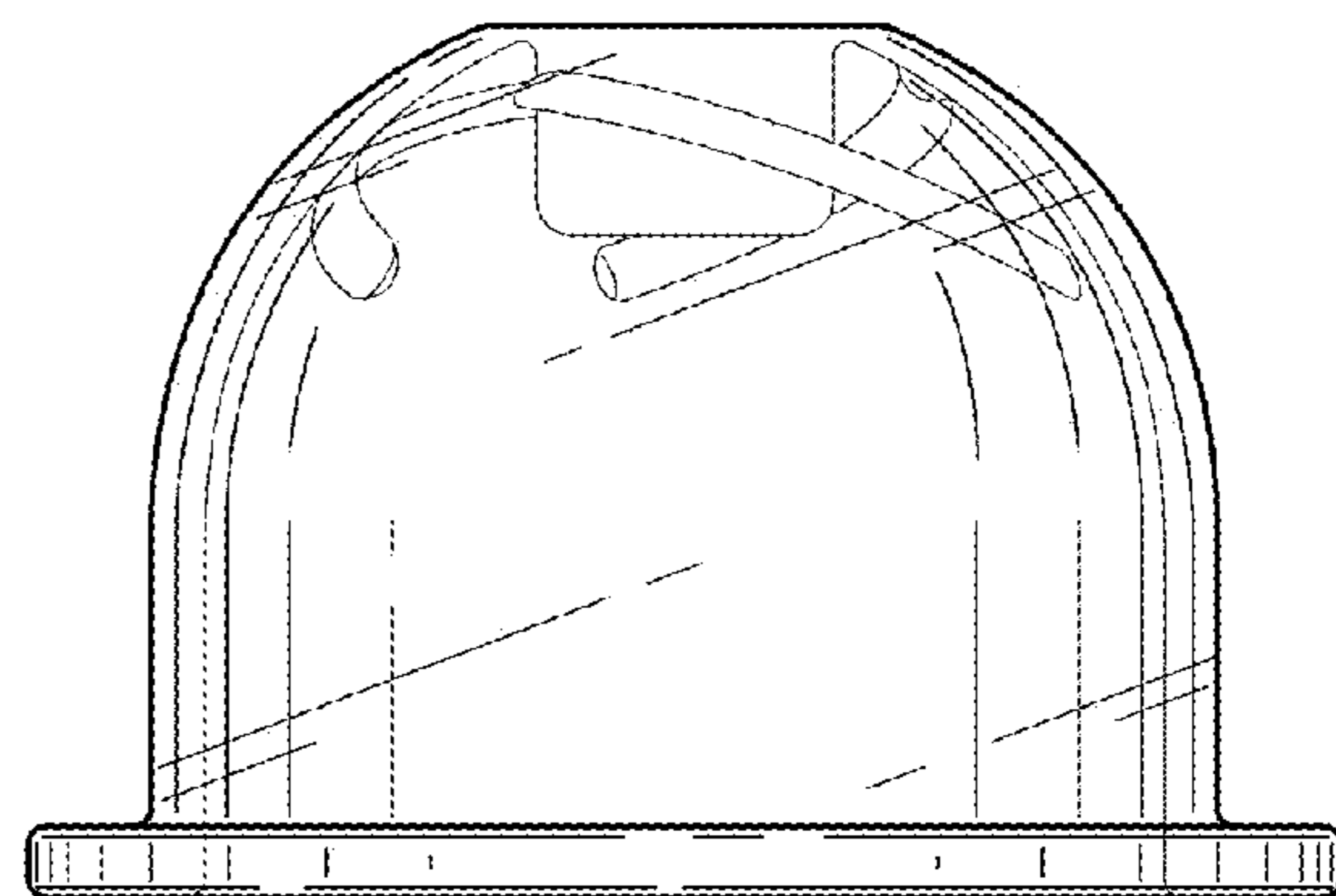


FIG. 8