



US00D720464S

(12) **United States Design Patent**
Prentice et al.

(10) **Patent No.:** **US D720,464 S**

(45) **Date of Patent:** **** Dec. 30, 2014**

(54) **BABY BOTTLE**

4,828,126 A 5/1989 Vinciguerra
4,865,207 A 9/1989 Joyner et al.
4,898,291 A 2/1990 Sailors
4,928,836 A 5/1990 Wu et al.

(75) Inventors: **Ruth Prentice**, Needham, MA (US);
Patrick Thrailkill, Newton, MA (US)

(Continued)

(73) Assignee: **Tomy International, Inc.**, Dyersville, IA (US)

FOREIGN PATENT DOCUMENTS

(**) Term: **14 Years**

WO 9521523 8/1995
WO 0054726 9/2000
WO 2011100416 8/2011

(21) Appl. No.: **29/430,202**

OTHER PUBLICATIONS

(22) Filed: **Aug. 22, 2012**

PCT International Search Report and Written Opinion for Application No. PCT/US2012/051842 dated Feb. 28, 2013.

(51) **LOC (10) Cl.** **07-01**

(52) **U.S. Cl.**
USPC **D24/197**

(Continued)

(58) **Field of Classification Search**

CPC A61J 9/00
USPC 220/694, 703, 227, 235, 714, 727, 745;
D24/197, 193, 207, 129, 127, 196;
D9/452; 215/11.1, 11.2, 11.3, 11.4,
215/11.5, 11.6, 344

Primary Examiner — George D Kirschbaum

Assistant Examiner — Kendra L Hamilton

(74) *Attorney, Agent, or Firm* — Michael Best & Friedrich LLP

See application file for complete search history.

(57)

CLAIM

We claim the ornamental design for a baby bottle, as shown and described.

(56) **References Cited**

DESCRIPTION

U.S. PATENT DOCUMENTS

2,084,099 A 6/1937 Maccoy
2,321,236 A 6/1943 Parkin
2,989,961 A 6/1961 Blanchett
3,092,276 A 6/1963 Schaar
3,203,569 A 8/1965 Shomock et al.
3,292,808 A 12/1966 Greene
3,768,682 A 10/1973 Meyers et al.
3,768,683 A 10/1973 Van Den Bosch
4,165,816 A 8/1979 Tupper
4,401,224 A 8/1983 Alonso
4,723,668 A 2/1988 Cheng
4,730,744 A 3/1988 Vinciguerra

FIG. 1 is a perspective view of a baby bottle.

FIG. 2 is a top view of the baby bottle shown in FIG. 1.

FIG. 3 is a bottom view of the baby bottle shown in FIG. 1.

FIG. 4 is a left side view of the baby bottle shown in FIG. 1.

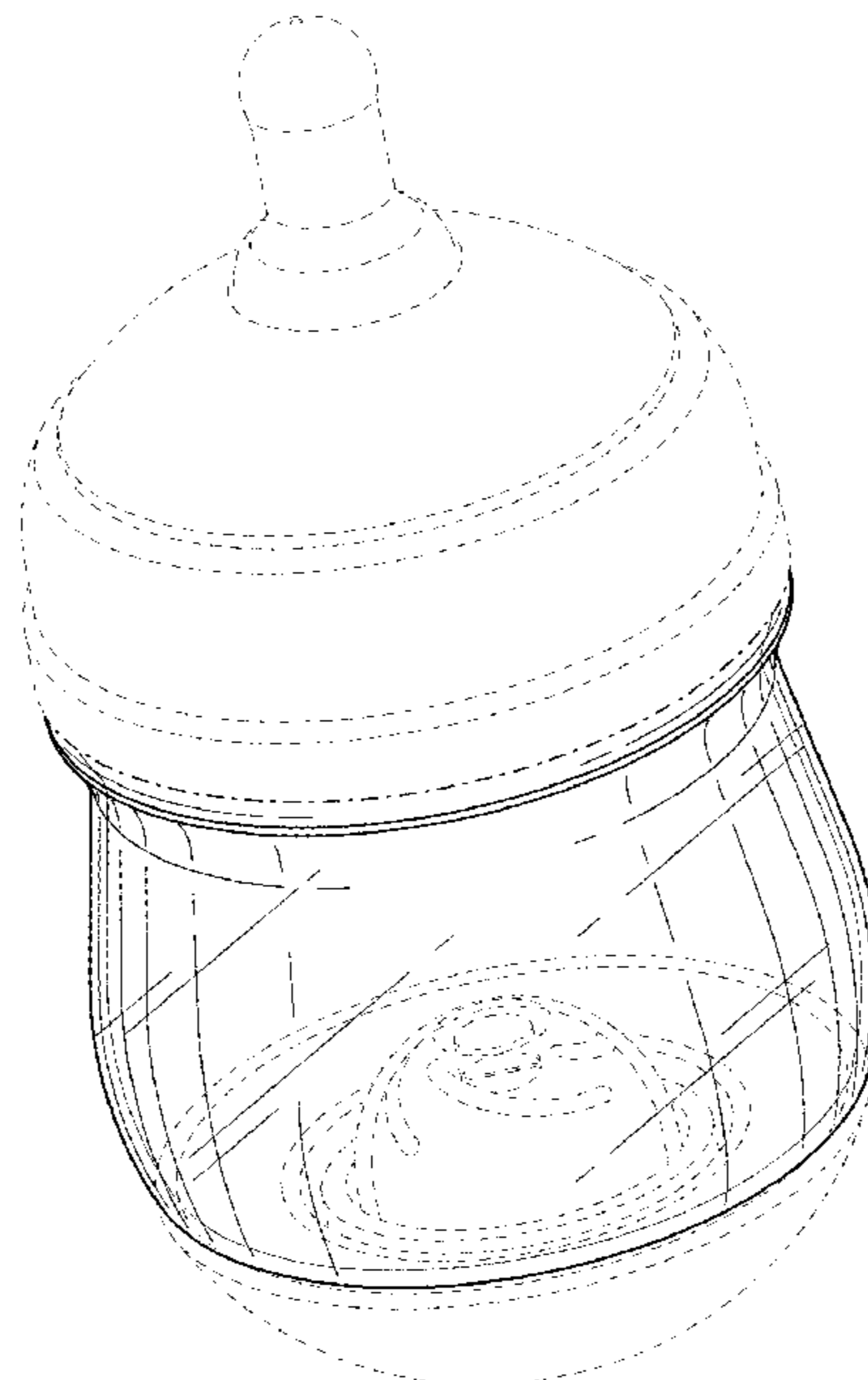
FIG. 5 is a right side view of the baby bottle shown in FIG. 1.

FIG. 6 is a front view of the baby bottle shown in FIG. 1; and,

FIG. 7 is a rear view of the baby bottle shown in FIG. 1.

Broken lines illustrating the environment form no part of the claimed design.

1 Claim, 4 Drawing Sheets



(56)

References Cited

U.S. PATENT DOCUMENTS

5,035,340 A 7/1991 Timmons
 5,211,298 A 5/1993 Bloch
 5,263,599 A 11/1993 Sklar
 5,431,290 A 7/1995 Vinciguerra
 5,439,125 A 8/1995 Bloch
 5,499,729 A 3/1996 Greenwood et al.
 5,522,516 A 6/1996 Duggal et al.
 5,551,583 A 9/1996 Sachathamakul et al.
 5,570,796 A 11/1996 Brown et al.
 5,588,548 A 12/1996 Brankley
 5,607,074 A 3/1997 DeGennaro
 5,664,705 A 9/1997 Stolper
 5,667,084 A 9/1997 Duggal et al.
 5,779,071 A 7/1998 Brown et al.
 5,791,503 A 8/1998 Lyons
 5,908,129 A 6/1999 Schutz
 5,950,689 A 9/1999 Varlet
 5,993,479 A 11/1999 Prentiss
 D420,448 S 2/2000 Brown et al.
 D423,107 S 4/2000 Brown et al.
 6,092,680 A 7/2000 Pillado
 6,161,710 A 12/2000 Dieringer et al.
 D441,087 S * 4/2001 Johansen et al. D24/197
 6,209,736 B1 4/2001 Chen et al.
 D441,872 S * 5/2001 Johansen et al. D24/197
 6,446,822 B1 9/2002 Meyers et al.
 6,588,613 B1 7/2003 Pechenik et al.
 D478,669 S * 8/2003 Wear D24/197
 6,601,720 B2 8/2003 Meyers et al.
 6,742,665 B2 6/2004 Lombardo
 6,786,345 B2 9/2004 Richards
 7,163,113 B2 1/2007 Manganiello et al.
 7,172,084 B1 2/2007 Williams et al.
 7,172,086 B2 2/2007 McKendry et al.
 D538,939 S * 3/2007 Conaway et al. D24/197
 7,326,234 B2 2/2008 Lieberman et al.
 7,537,133 B2 5/2009 Naesje
 7,600,647 B2 10/2009 Strickler et al.
 7,762,423 B2 7/2010 Lieberman et al.
 7,798,347 B2 9/2010 Rees
 D626,417 S * 11/2010 Kim D9/503
 D641,887 S * 7/2011 Sirota D24/197
 D674,101 S * 1/2013 Smith D24/197
 D674,102 S * 1/2013 Smith D24/197

D681,836 S * 5/2013 Stephan et al. D24/197
 D682,701 S * 5/2013 Stephan et al. D9/539
 D682,702 S * 5/2013 Stephan et al. D9/539
 D696,410 S * 12/2013 Tollman D24/197
 2003/0089676 A1 5/2003 Uehara et al.
 2004/0069350 A1 4/2004 Danby et al.
 2005/0006415 A1 1/2005 Kiehne
 2005/0133546 A1 6/2005 Carvalho
 2005/0258124 A1 11/2005 Brown et al.
 2005/0258125 A1 11/2005 Kiehne
 2005/0263480 A1 12/2005 Smolko et al.
 2006/0037927 A1 2/2006 Williams et al.
 2006/0124573 A1 6/2006 Nachumi
 2006/0201902 A1 9/2006 Brown et al.
 2007/0045215 A1 3/2007 Holley, Jr. et al.
 2007/0145060 A1 6/2007 Connors, Jr. et al.
 2010/0308003 A1 12/2010 Morrill et al.
 2011/0168714 A1 7/2011 Renz
 2011/0180508 A1 7/2011 Fong
 2012/0152881 A1* 6/2012 Py et al. 215/11.4

OTHER PUBLICATIONS

Pampers Natural Stage Feeding Bottle, sample pictured at <http://shopping.yahoo.com/791369232-natural-stage-1-feeding-bottle-bpa-free-5-oz/>; picture available prior to Aug. 22, 2012.
 Green Sprouts Feeding Bottles, samples pictured at <http://www.iplaybabywear.com/index.php/greensprouts/feeding/bottles-cups.html/>.
 Dr. Brown's Natural Flow Feeding Bottles; samples pictured at <http://www.handi-craft.com/bottles/standardwide-neck/>.
 Tommee Tippee Closer to Nature Feeding Bottles; samples pictured at http://www.tommeetippee.us/bottle_feeding.html.
 Born Free Feeding Bottles; samples pictured at <http://www.newbornfree.com/products/bottles-nipples>.
 Philips Avent Natural Feeding Bottle; brochure available prior to Aug. 22, 2012.
 Philips Avent Bottle Comparison Chart.
 Nuk Orthodontic Bottles; samples pictured at <http://www.nuk-usa.com/all-products/bottles-and-accessories.aspx>.
 Medela Breastmilk Bottles; samples pictured at <http://www.medela.com/IW/en/breastfeeding/products/breastmilk-collecting/breastmilk-bottles-home-use.html>.
 Playtex Ventaire Advanced Bottle; sample pictured at <http://www.playtexbaby.com/Bottles/VentAire/Advanced-Wide>.

* cited by examiner

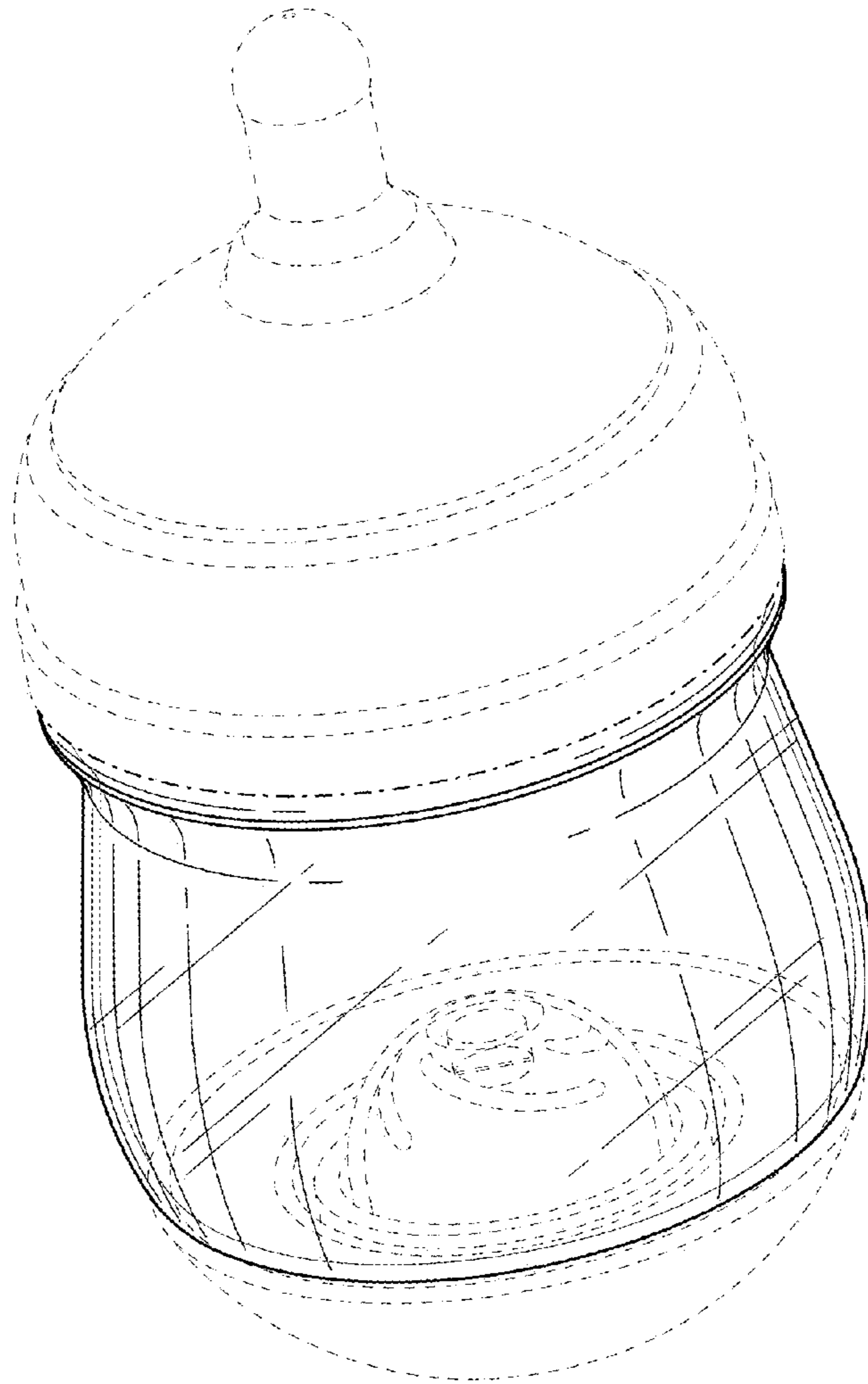


FIG. 1

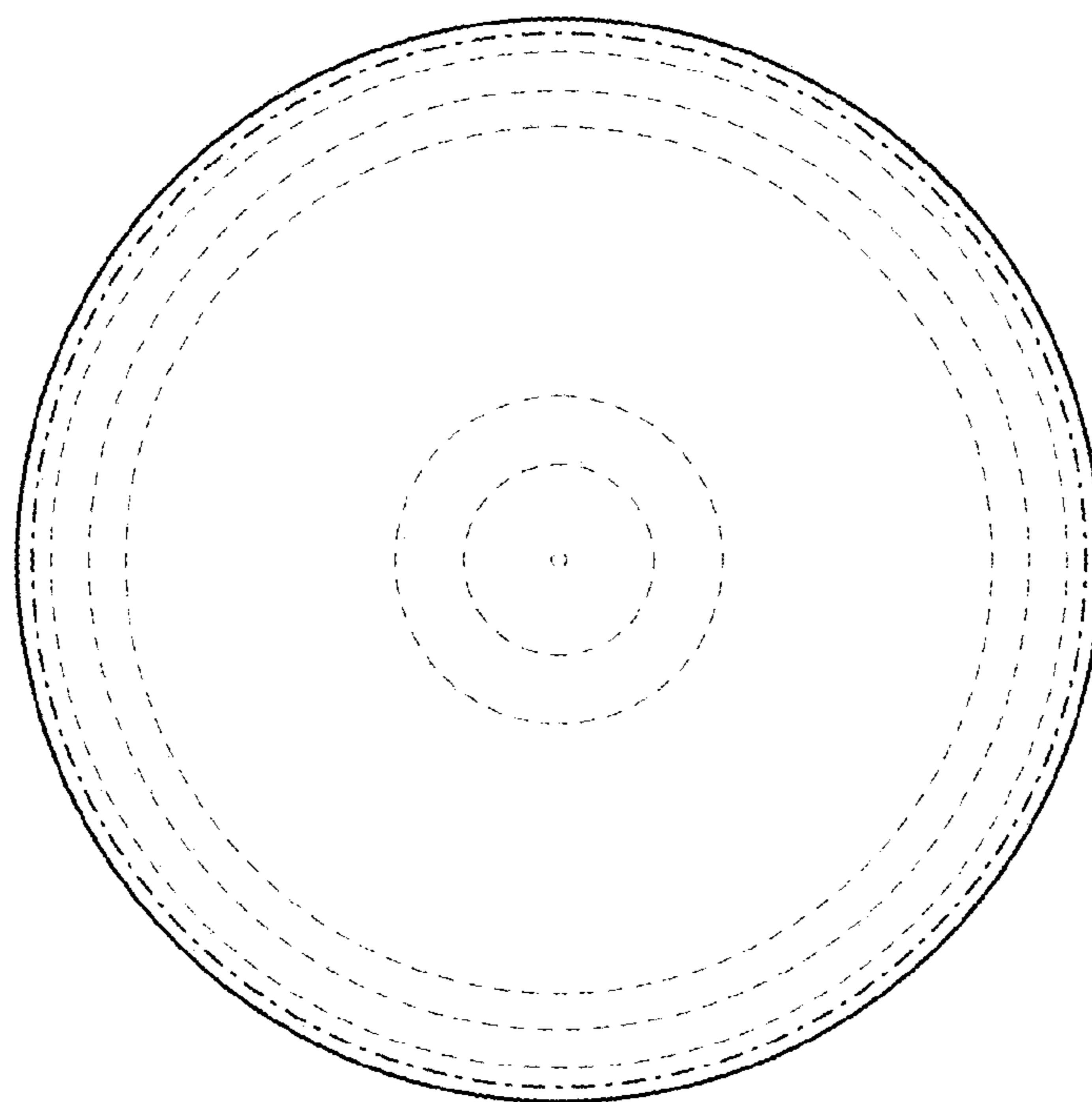


FIG. 2

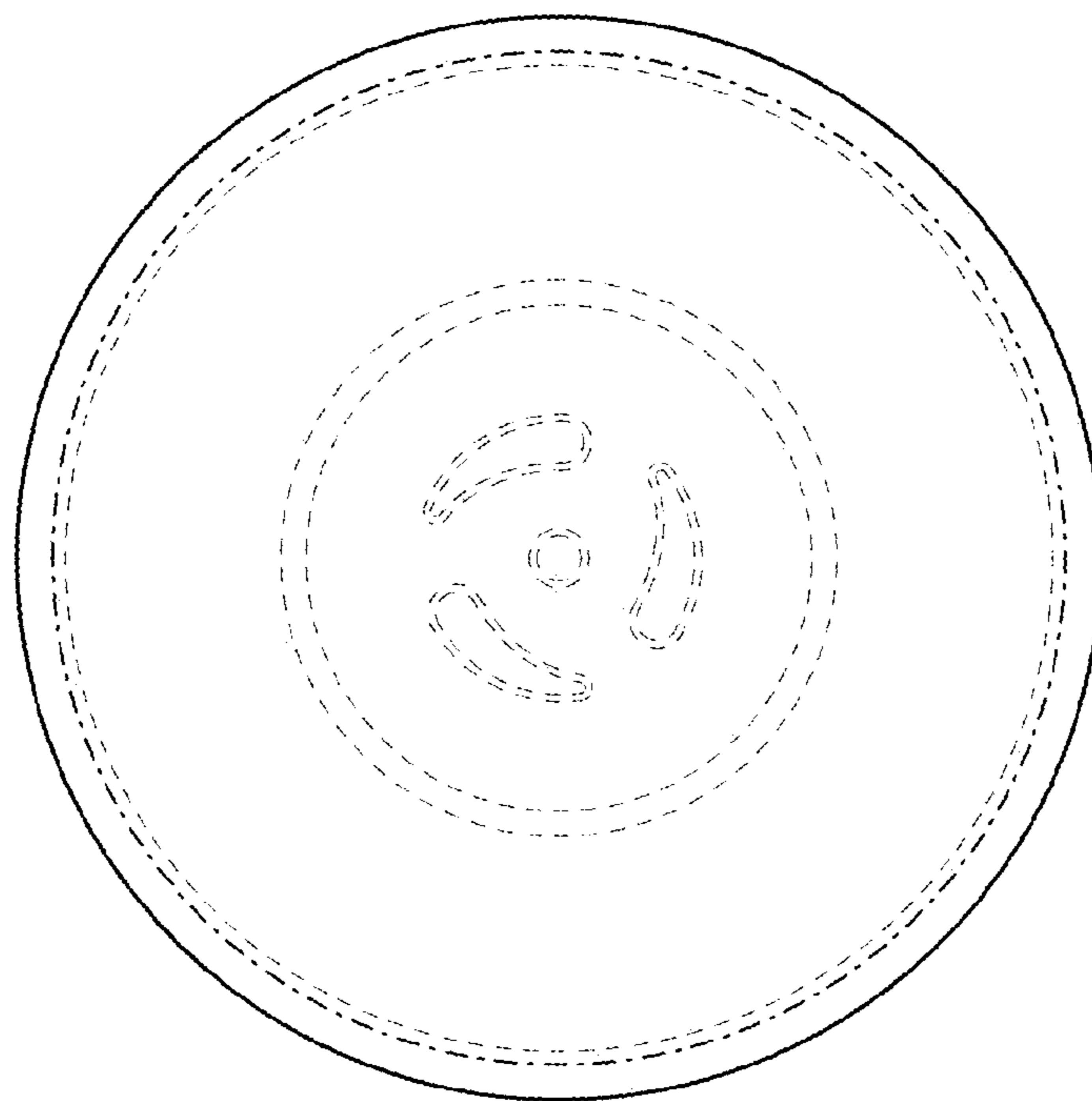


FIG. 3

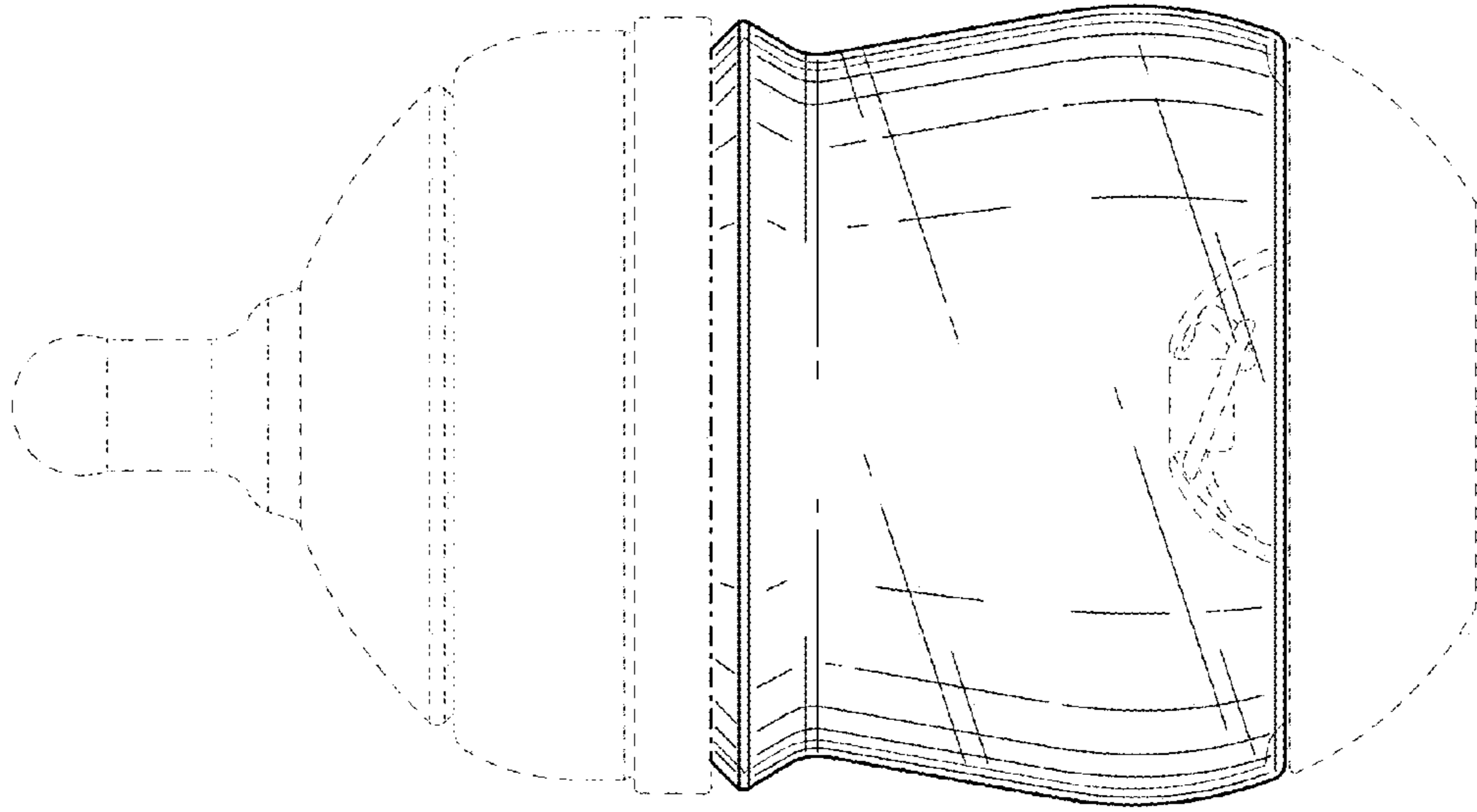


FIG. 5

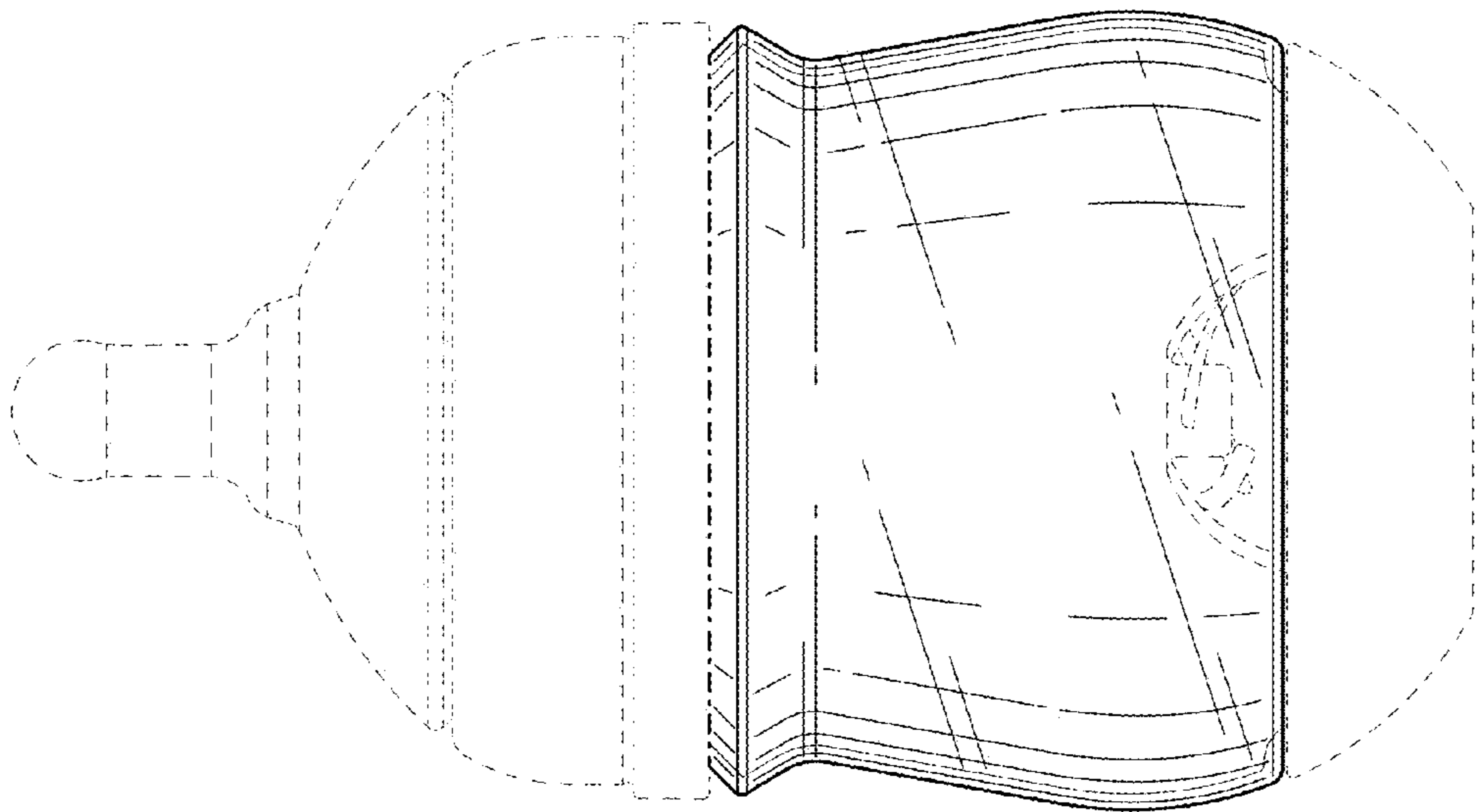


FIG. 4

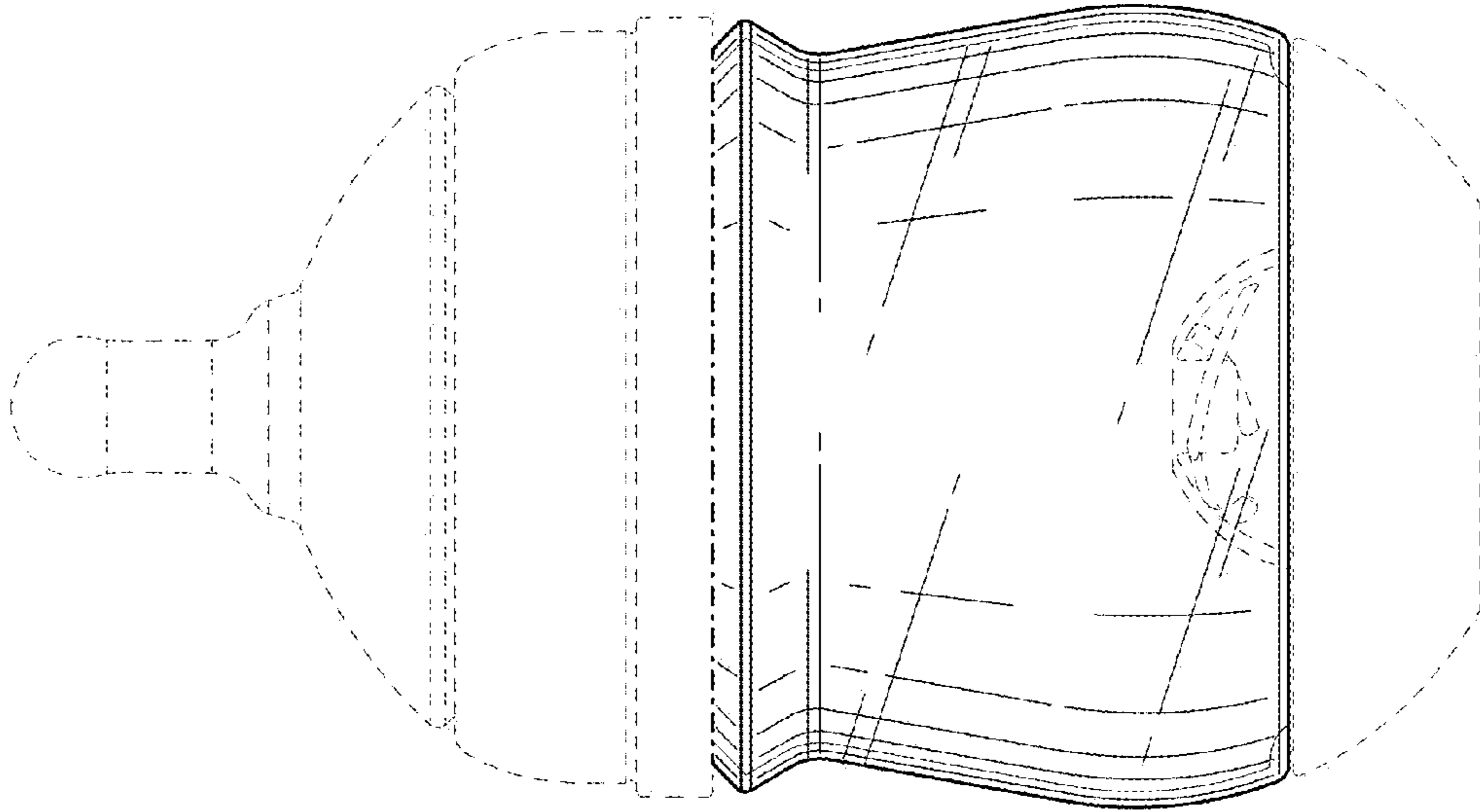


FIG. 7

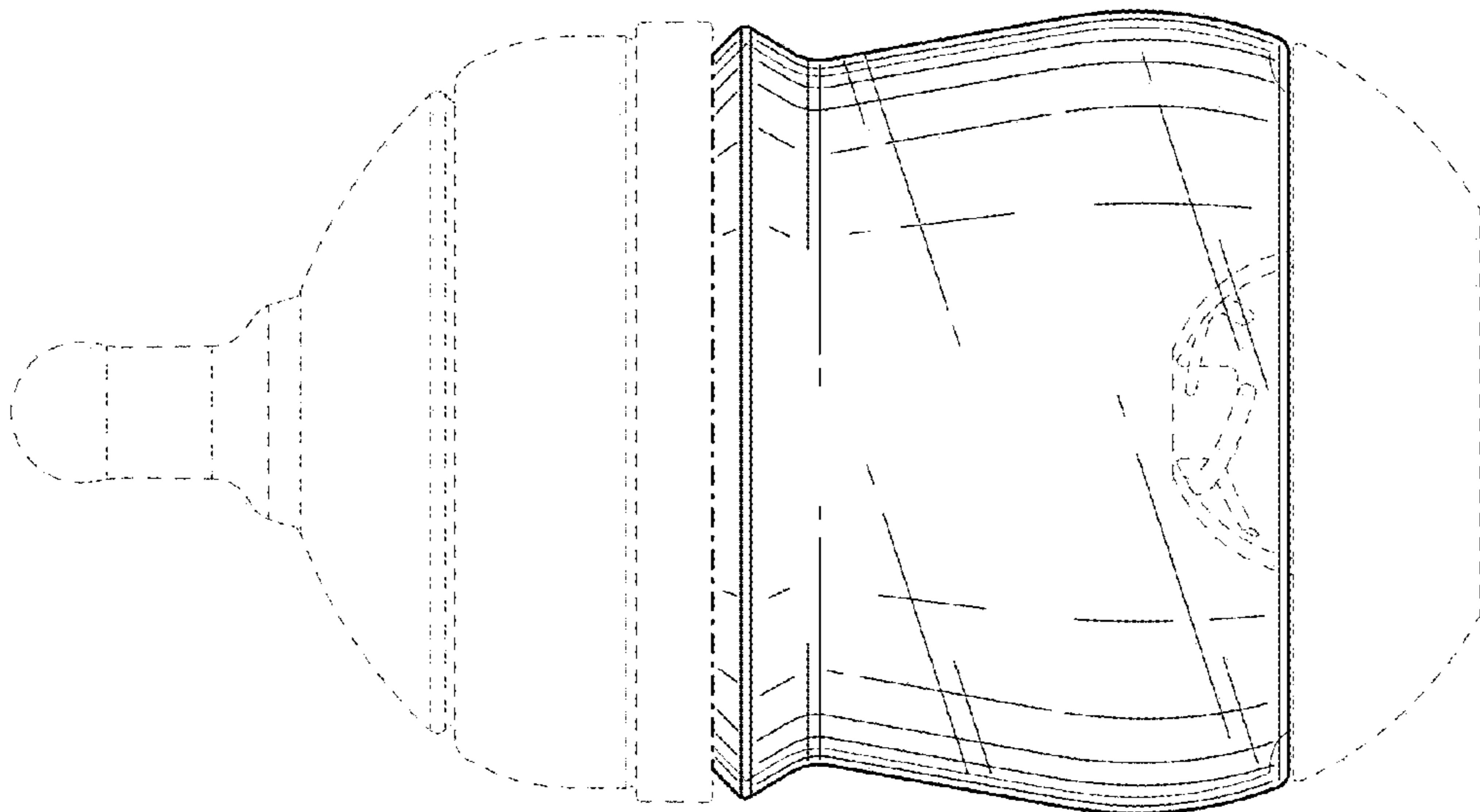


FIG. 6