



US00D720463S

(12) **United States Design Patent**  
**Ferri**

(10) **Patent No.:** **US D720,463 S**

(45) **Date of Patent:** **\*\* Dec. 30, 2014**

(54) **HAND THERAPY AND ALIGNING DEVICE**

FOREIGN PATENT DOCUMENTS

(75) Inventor: **Frederic Ferri**, Dexter, MI (US)

DE 276558 7/1914  
DE 1079504 4/1960

(73) Assignee: **FenF, LLC**, Dexter, MI (US)

(Continued)

(\*\*) Term: **14 Years**

OTHER PUBLICATIONS

(21) Appl. No.: **29/373,566**

<http://www.conteches.com/products/retaining-walls/concrete/key-stone-landscape-products.aspx> (Found on Apr. 11, 2014).\*

(22) Filed: **Apr. 27, 2011**

(Continued)

(51) **LOC (10) Cl.** ..... **24-04**

*Primary Examiner* — T. Chase Nelson

(52) **U.S. Cl.**

*Assistant Examiner* — Michelle E Wilson

USPC ..... **D24/188**

(74) *Attorney, Agent, or Firm* — Tope-McKay & Associates

(58) **Field of Classification Search**

(57) **CLAIM**

USPC ..... D24/200, 214, 188; 434/260, 407, 62;  
272/116, 67, 126, 127, 132, 131, 143;  
D21/198, 191; D3/30.1

The ornamental design for a hand therapy and aligning device, as shown and described.

See application file for complete search history.

**DESCRIPTION**

(56) **References Cited**

FIG. 1 is a front, isometric view of a hand therapy and aligning device showing my new design;

U.S. PATENT DOCUMENTS

FIG. 2 is a back, isometric view of a hand therapy and aligning device;

257,630	A *	5/1882	Whitney	434/160
276,558	A	5/1883	Brown, Jr.	
365,572	A	6/1887	Boomer	
445,921	A	2/1891	Burlingame	
525,059	A	8/1894	Ray et al.	
633,422	A	8/1899	Burns et al.	
1,095,213	A	5/1914	Johnson	
1,098,397	A	6/1914	Pacorella	
1,349,085	A	8/1920	Mouse	
1,402,375	A	1/1922	Parisi	
1,867,679	A	7/1932	Riehle et al.	
1,930,413	A	10/1933	Bruell	
2,095,664	A	10/1937	Grenfell	
2,153,493	A	4/1939	Yakimchick	
2,223,204	A	11/1940	Carmichael	
2,266,859	A	12/1941	Grampp	

FIG. 3 is a top view of a hand therapy and aligning device;

FIG. 4 is a bottom view of a hand therapy and aligning device;

FIG. 5 is a front, perspective view of a hand therapy and aligning device;

FIG. 6 is a rear, perspective view of a hand therapy and aligning device;

FIG. 7 is a rear, perspective view of a hand therapy and aligning device; and,

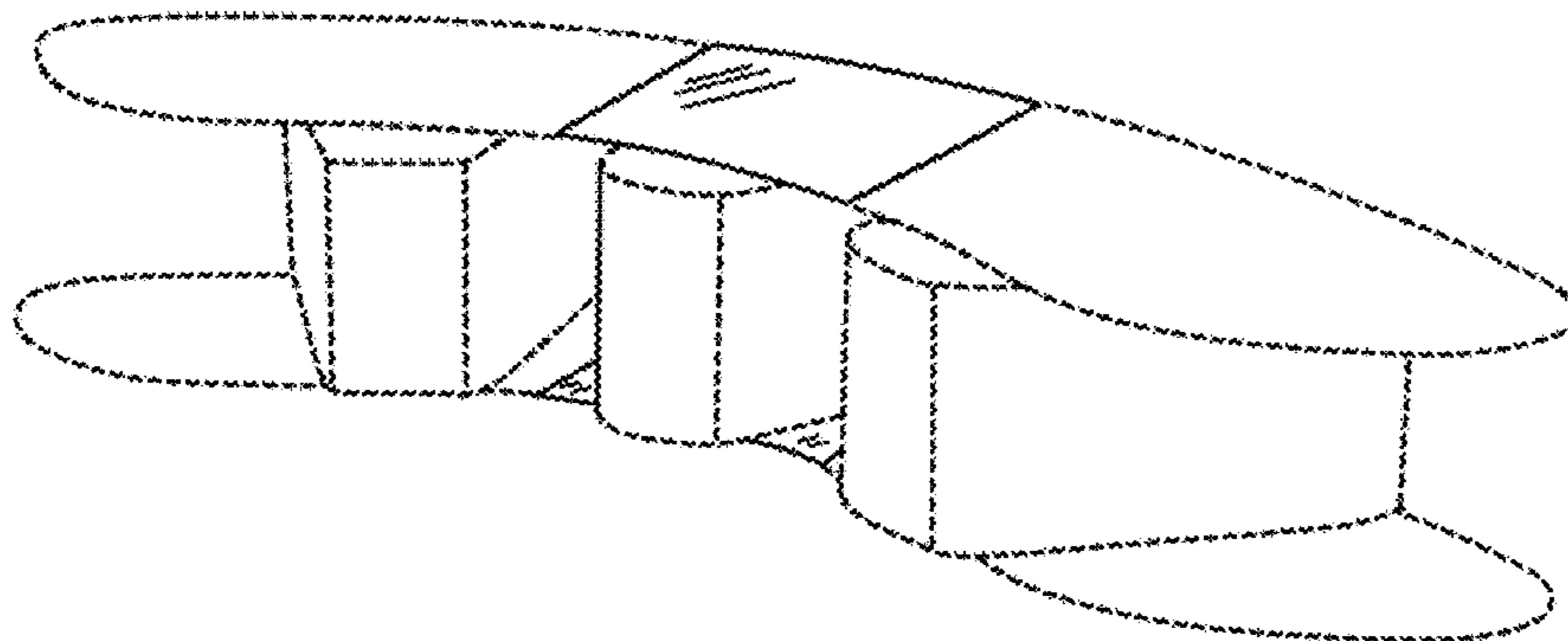
FIG. 8 is an exploded view of the hand therapy and aligning device, shown in FIG. 7.

Only the solid lines and surfaces with shading are claimed.

The broken lines depict portions of the hand therapy and aligning device that form no part of the claimed design.

(Continued)

**1 Claim, 7 Drawing Sheets**



(56)

References Cited

U.S. PATENT DOCUMENTS

2,286,089 A 6/1942 Harris  
 2,335,665 A 11/1943 Goldmerstein  
 2,471,997 A 5/1949 Baltor  
 2,575,867 A 8/1949 Ferri  
 2,506,308 A 5/1950 Maynier  
 2,517,232 A 8/1950 Patulski  
 2,531,851 A 11/1950 Kiwad  
 2,546,118 A 3/1951 Wright  
 2,575,868 A 11/1951 Ferri  
 2,595,640 A 5/1952 Christopoulos  
 2,640,482 A 6/1953 Kiwad  
 2,740,207 A 4/1956 Starensier  
 2,751,693 A 6/1956 Baker  
 2,758,235 A \* 8/1956 Evans, Jr. .... 313/434  
 2,808,662 A 10/1957 Webb  
 2,947,095 A 8/1960 Miyachi  
 2,949,112 A 8/1960 Murray  
 3,011,281 A 12/1961 King  
 3,049,120 A 8/1962 Marcus  
 3,088,458 A 5/1963 Stewart  
 3,099,884 A 8/1963 Kixmiller et al.  
 3,128,763 A 4/1964 Langenfeld et al.  
 3,275,002 A 9/1966 Scholl  
 3,299,893 A 1/1967 Collina  
 3,396,504 A \* 8/1968 De Oliveira ..... 52/575  
 3,416,542 A 12/1968 Shook  
 3,581,740 A 6/1971 Sherbourne  
 3,623,481 A 11/1971 Curran  
 3,724,458 A 4/1973 Piper  
 3,778,945 A \* 12/1973 Medow ..... 52/217  
 3,967,390 A 7/1976 Anfruns  
 4,017,987 A 4/1977 Perez, Jr. et al.  
 4,207,880 A 6/1980 Zinkovich  
 4,211,246 A 7/1980 Hokama  
 4,263,902 A 4/1981 Dieterich  
 D260,047 S 8/1981 Heinz  
 4,300,294 A 11/1981 Riecken  
 D271,156 S 11/1983 Williamson  
 4,419,836 A 12/1983 Wong  
 4,821,431 A 4/1989 Rieffel  
 4,822,027 A \* 4/1989 Kascak ..... 482/46  
 4,856,772 A \* 8/1989 Kaplan ..... 482/44  
 D306,084 S 2/1990 Volz et al.  
 D306,646 S \* 3/1990 Cotton ..... D24/200  
 4,914,837 A 4/1990 Rieffel  
 4,936,300 A 6/1990 Funatogawa  
 D312,311 S \* 11/1990 Cotton ..... D24/189  
 5,003,997 A 4/1991 Stewart et al.  
 5,039,093 A 8/1991 Collier  
 5,054,137 A \* 10/1991 Christensen ..... 5/81.1 RP  
 5,062,625 A 11/1991 Vonk  
 5,069,015 A \* 12/1991 Steinwender ..... 52/575  
 5,076,263 A 12/1991 Funatogawa  
 5,087,036 A 2/1992 Cooper  
 D325,968 S 5/1992 Nofsinger  
 D327,328 S \* 6/1992 Luce et al. .... D24/188  
 5,136,911 A 8/1992 Wyss  
 D335,299 S 5/1993 Guidry  
 5,327,918 A 7/1994 Stewart et al.  
 5,366,436 A 11/1994 Gibney  
 5,374,226 A 12/1994 Graham  
 D358,181 S \* 5/1995 Smith ..... D21/691  
 D361,621 S \* 8/1995 Johnson ..... D24/188  
 5,466,202 A 11/1995 Stern  
 5,523,734 A 6/1996 Beck et al.  
 5,702,354 A 12/1997 DeSpain  
 5,723,785 A 3/1998 Manning  
 5,749,377 A 5/1998 Desario  
 5,813,078 A 9/1998 Hogan, Sr.  
 5,870,837 A 2/1999 Poulos  
 5,893,221 A 4/1999 Weissman et al.  
 5,946,823 A 9/1999 Yates  
 D415,858 S 10/1999 Funatogawa  
 D416,594 S 11/1999 Sardina  
 D420,785 S 2/2000 Perez

D428,673 S 7/2000 Ikeda  
 6,082,545 A \* 7/2000 Ford et al. .... 206/579  
 D434,159 S \* 11/2000 Hampel ..... D25/113  
 6,151,801 A 11/2000 Frederiksen et al.  
 D439,704 S 3/2001 Ikeda  
 6,226,893 B1 5/2001 Schlamp et al.  
 6,228,001 B1 5/2001 Johnson et al.  
 6,238,357 B1 5/2001 Kawaguchi et al.  
 6,241,637 B1 6/2001 Basyuk  
 D445,856 S 7/2001 McCraw  
 6,298,580 B1 10/2001 Tadayon  
 6,318,373 B1 11/2001 Kasahara  
 6,352,096 B1 3/2002 Walsh  
 D459,547 S 6/2002 Wada et al.  
 6,406,406 B1 6/2002 Onorati  
 6,481,443 B1 11/2002 Moore-Johnson et al.  
 D475,757 S \* 6/2003 Silverman et al. .... D21/673  
 D476,147 S 6/2003 Campbell  
 6,625,904 B1 9/2003 Frederiksen et al.  
 6,629,943 B1 10/2003 Schroder  
 D481,828 S 11/2003 Goldberg et al.  
 6,678,971 B2 1/2004 Brooks  
 D488,843 S 4/2004 Brown  
 6,719,714 B2 4/2004 Sossong  
 6,748,604 B2 6/2004 Duboff et al.  
 6,786,849 B1 9/2004 Faulconer  
 6,817,967 B1 11/2004 Ott et al.  
 6,941,954 B1 9/2005 Belcher  
 7,104,934 B1 9/2006 Smith  
 7,121,019 B2 10/2006 Frederiksen et al.  
 7,131,939 B2 11/2006 Ferri  
 D556,381 S 11/2007 Kennedy  
 7,322,915 B2 1/2008 Ferri  
 7,381,156 B2 6/2008 Silagy  
 D600,818 S 9/2009 Yang  
 7,867,145 B2 1/2011 Bearden  
 7,887,462 B1 2/2011 Bearden  
 2003/0029056 A1 2/2003 Frederiksen et al.  
 2003/0190997 A1 10/2003 Siek  
 2004/0055179 A1 3/2004 Wang  
 2005/0198914 A1 \* 9/2005 Lyons et al. .... 52/36.3  
 2006/0243291 A1 11/2006 Daley  
 2007/0027011 A1 2/2007 Ferri  
 2009/0093345 A1 4/2009 Findeisen  
 2010/0222720 A1 9/2010 Khubani

FOREIGN PATENT DOCUMENTS

DE 1881215 10/1963  
 DE 3049528 7/1982  
 DE 3530511 3/1987  
 DE 29606182 9/1996  
 DE 10154185 5/2003  
 FR 1095213 5/1955  
 GB 155180 12/1920  
 GB 246375 1/1926  
 GB 365572 7/1930  
 GB 445921 4/1936  
 GB 525059 8/1940  
 GB 811791 4/1959  
 GB 2378891 2/2003  
 JP 1250257 10/1989  
 WO WO 9504512 2/1995  
 WO WO 0191674 12/2001

OTHER PUBLICATIONS

Notice of Allowance for U.S. Appl. No. 11/541,067.  
 Issue Notification for U.S. Appl. No. 11/541,067.  
 "Yoga Toes," 1 page, <<http://www.yogapro.com>>, 2008.  
 "Ms. Pedicure Toe Separator," 1 page, <<http://store.facevaluesonline.com>>, 2008.  
 "Genki-kun One Step," 7 pages, <<http://www.dr-1.co.jp>>, 2008.  
 "Genki-kun Toe Stretcher," 12 pages, <<http://www.dr-1.co.jp>>, 2008.  
 "Toe Stretchers Strengthening Premium Toe Trainers," 7 pages, <<http://www.healiohealth.com>>, 2008.  
 "Toe Flexers (C7315)," 1 page, <[www.harrietcarter.com](http://www.harrietcarter.com)>, 2008.

(56)

**References Cited**

OTHER PUBLICATIONS

“Genki-kun One-Step,” 5 pages, <<http://www.dr-1.co.jp/e/onestep.html>>.

“Correct Toes,” 3 pages, <<http://nwfootankle.com/home/toes>>, 2009.

Invalidity Contentions by Taylor Gifts regarding Claim 1 of US Patent No. 7,131,939 and Claim 33 of US Patent No. 7,322,915 in *FENF LLC v. Taylor Gifts, Inc.*, dated Oct. 17, 2011.

Interlocutory Order regarding US Patent No. 8,002,675 in *FENF LLC v. Smarthingz, Inc.*, dated Jul. 25, 2013.

\* cited by examiner

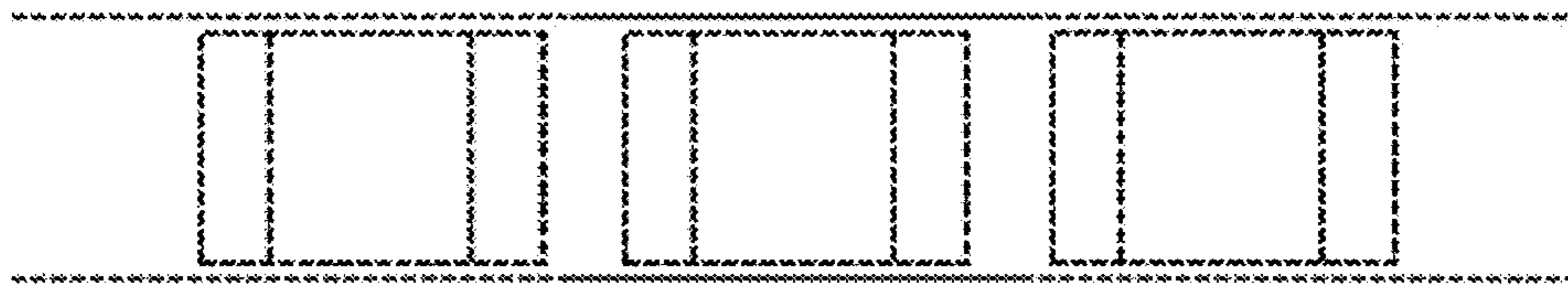


FIG. 1



FIG. 2

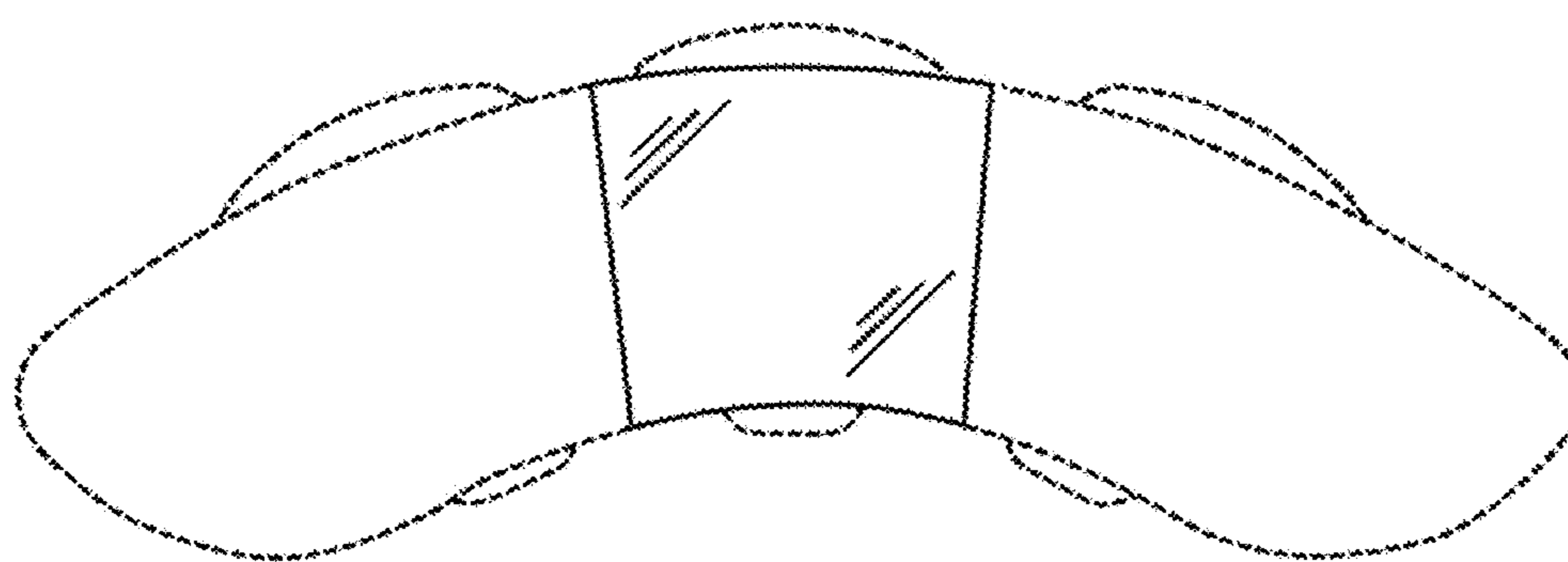


FIG. 3

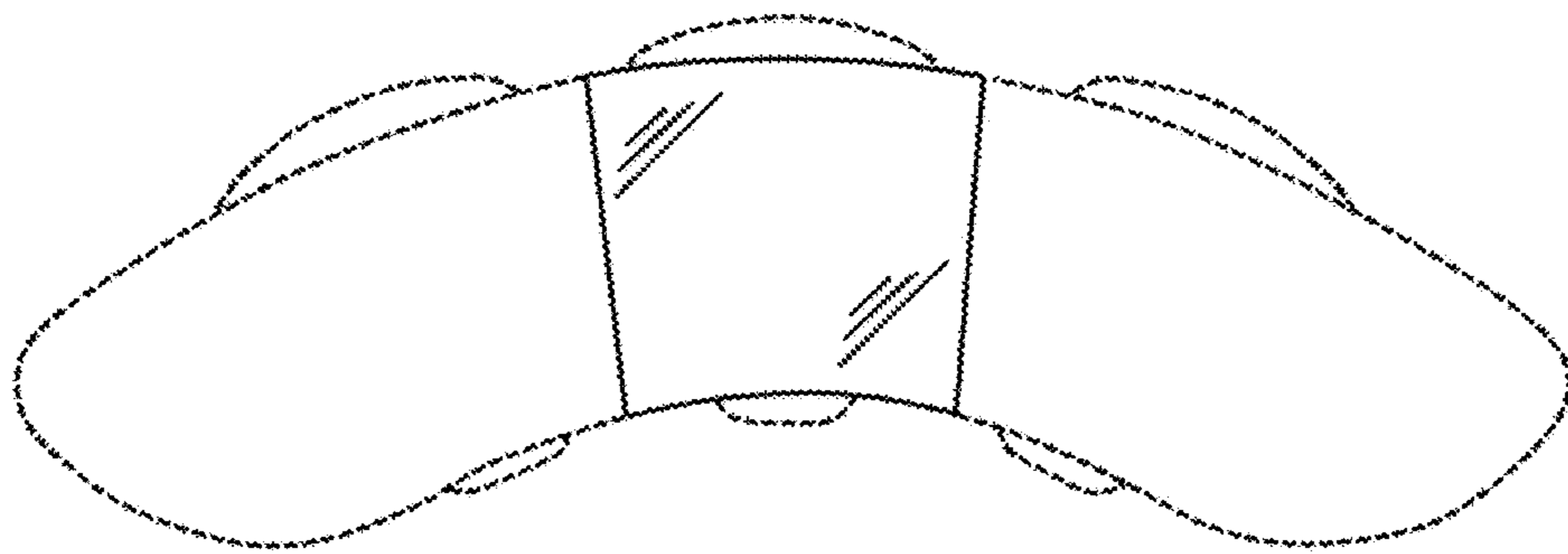


FIG. 4

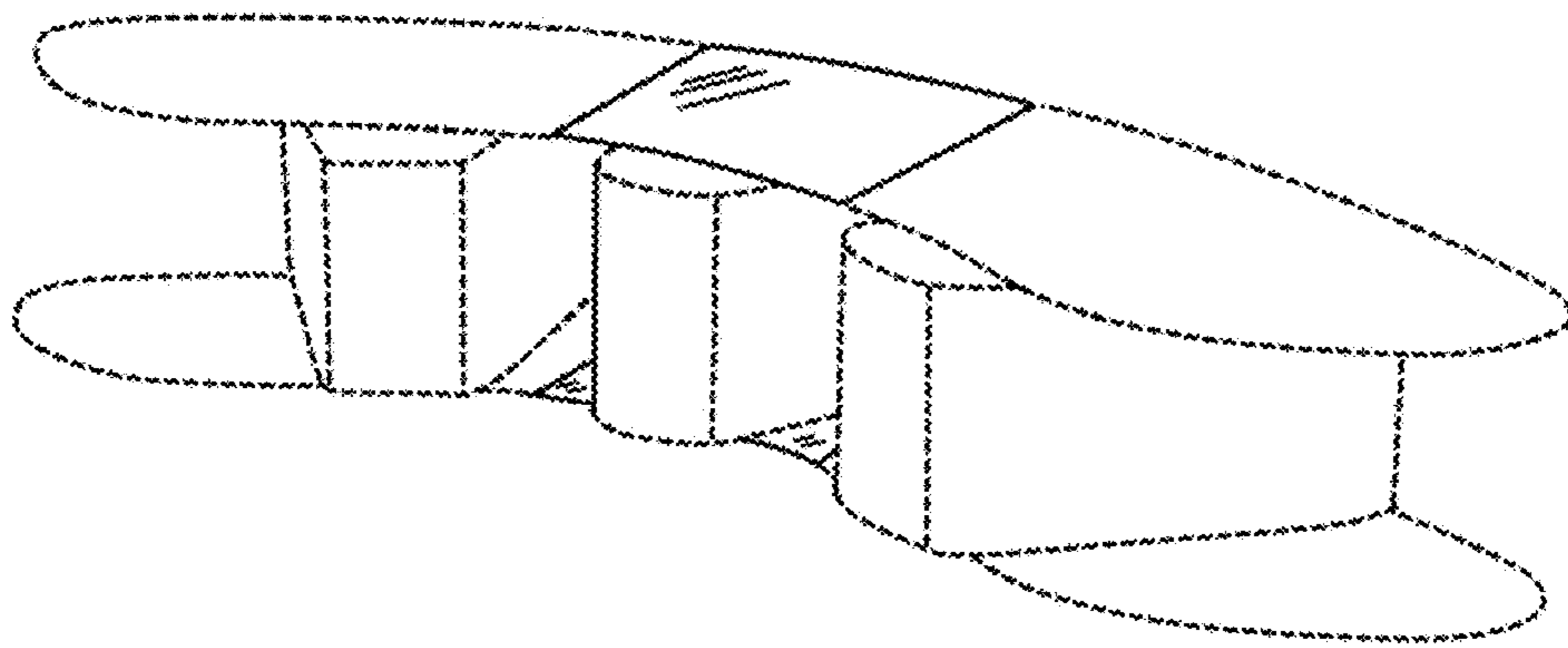


FIG. 5



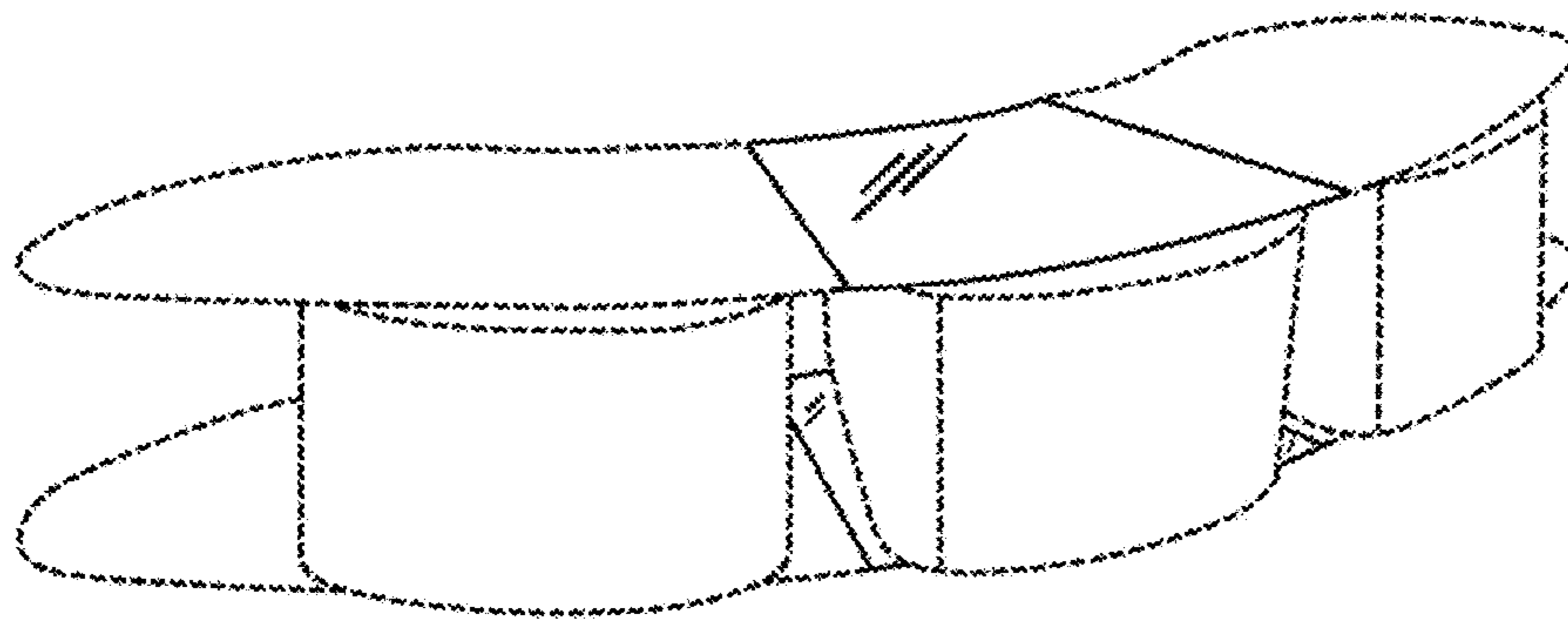


FIG. 6

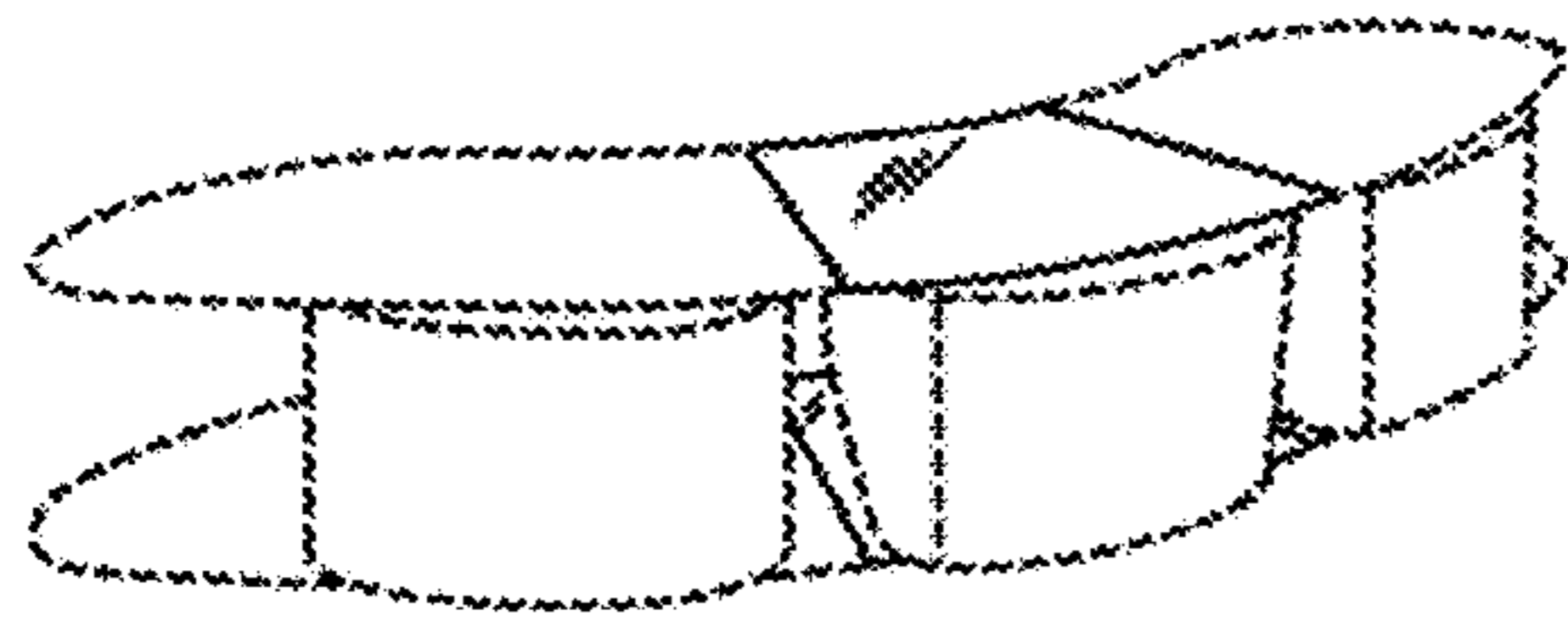


FIG. 7

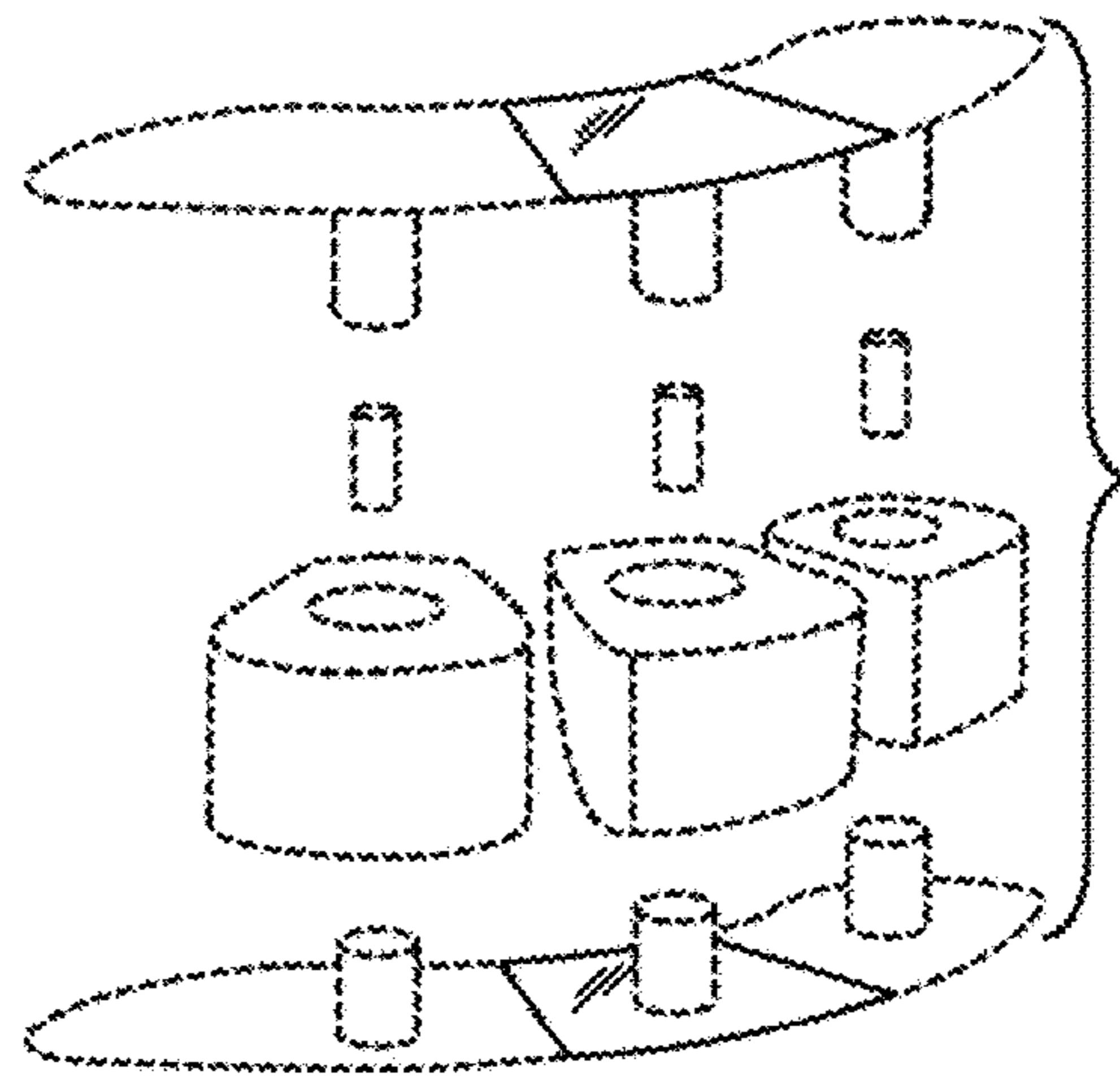


FIG. 8