



US00D720462S

(12) **United States Design Patent**
Lura et al.

(10) **Patent No.:** **US D720,462 S**
(45) **Date of Patent:** **** Dec. 30, 2014**

(54) **SORBENT CARTRIDGE FOR DIALYSIS CABINET**

D3/281, 201, 258, 271.12, 272, 282, 291,
D3/276; 347/85-87; D7/601, 400, 404,
D7/415; D18/43

(71) Applicant: **Medtronic, Inc.**, Minneapolis, MN (US)

See application file for complete search history.

(72) Inventors: **David Lura**, Maple Grove, MN (US);
Martin Gerber, Maple Grove, MN
(US); **Bryant J. Pudil**, Plymouth, MN
(US); **Thomas E. Meyer**, Stillwater, MN
(US); **Brian Mullins**, Minneapolis, MN
(US)

(56) **References Cited**

U.S. PATENT DOCUMENTS

D423,666 S *	4/2000	Griswold	D24/133
D434,323 S *	11/2000	Pattison	D9/772
D471,458 S *	3/2003	Booth et al.	D9/504
D506,253 S *	6/2005	Cinco	D24/121
D598,109 S	8/2009	Collins et al.	
D609,350 S	2/2010	Hickey et al.	
D613,411 S	4/2010	Collins et al.	
D621,949 S *	8/2010	Seki et al.	D24/209

(Continued)

Primary Examiner — Ian Simmons

Assistant Examiner — Rhea Shields

(74) *Attorney, Agent, or Firm* — Hahn & Voight PLLC;
Roger C. Hahn

(73) Assignee: **Medtronic, Inc.**, Minneapolis, MN (US)

(**) Term: **14 Years**

(21) Appl. No.: **29/446,284**

(22) Filed: **Feb. 21, 2013**

Related U.S. Application Data

(63) Continuation-in-part of application No. 13/757,693,
filed on Feb. 1, 2013, and a continuation-in-part of
application No. 13/757,709, filed on Feb. 1, 2013, and
a continuation-in-part of application No. 13/757,728,
filed on Feb. 1, 2013, and a continuation-in-part of
application No. 13/757,722, filed on Feb. 1, 2013, and
a continuation-in-part of application No. 13/757,717,
filed on Feb. 1, 2013.

(57) **CLAIM**

We claim the ornamental design for a sorbent cartridge for a
dialysis cabinet, as shown and described.

DESCRIPTION

FIG. 1 is a perspective view of a sorbent cartridge for a
dialysis cabinet showing our new design;
FIG. 2 is another perspective view of a sorbent cartridge for a
dialysis cabinet;
FIG. 3 is a front/side view of the sorbent cartridge for the
dialysis cabinet referenced in FIG. 2;
FIG. 4 is a top view of the sorbent cartridge for the dialysis
cabinet referenced in FIGS. 2; and,
FIG. 5 is a bottom view of the sorbent cartridge for the
dialysis cabinet referenced in FIG. 2.

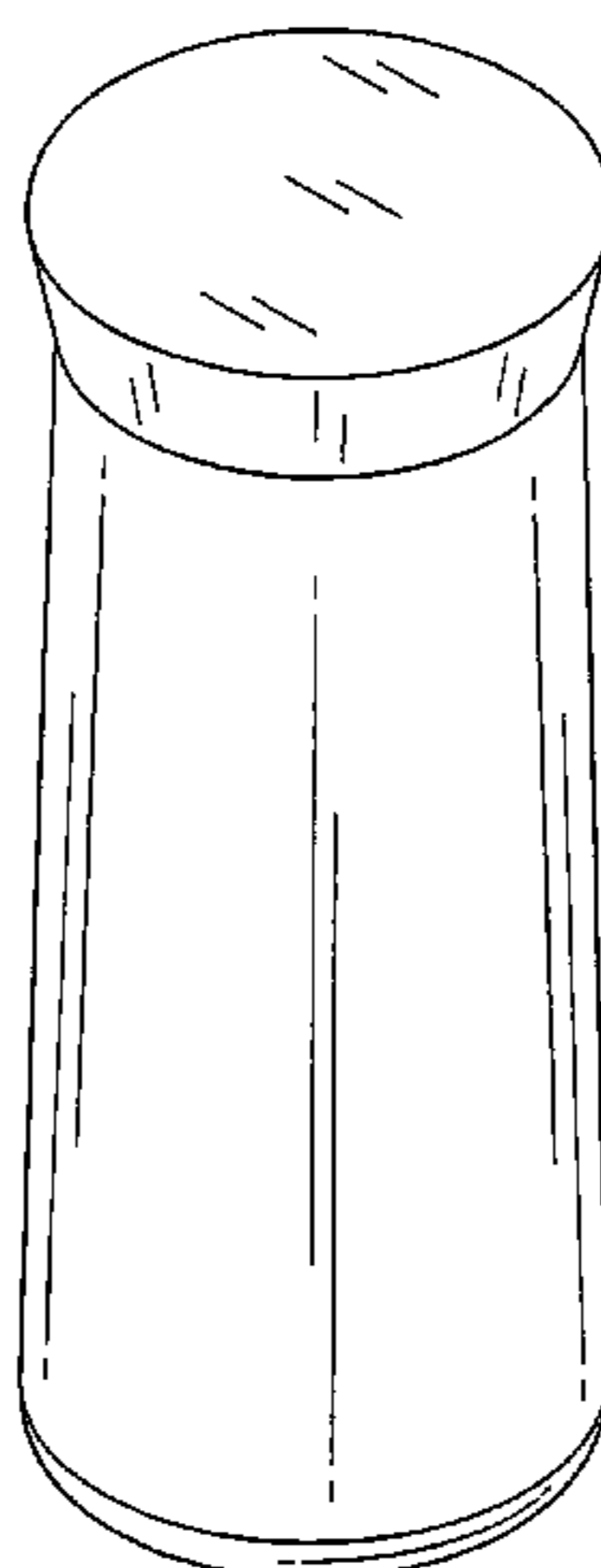
In the drawings, the broken lines depict environmental sub-
ject matter only and form no part of the claimed design.

1 Claim, 4 Drawing Sheets

(51) **LOC (10) Cl.** **24-00**

(52) **U.S. Cl.**
USPC **D24/185**

(58) **Field of Classification Search**
CPC A61B 5/0002; A61B 5/021; A61B 5/441;
A61B 5/205; B01L 2300/0816; B01L
3/50825; A47J 36/12
USPC D24/185, 186, 144, 160, 167-169, 172,
D24/200, 158, 164, 107, 108, 121; D34/12,
D34/14; 312/22, 109, 209, 223.1, 286,
312/249.8, 249.12; 248/282.1; 600/437,
600/443, 459; D3/203.7, 203.8, 246, 279,



(56)

References Cited

U.S. PATENT DOCUMENTS

D629,906 S	12/2010	Hickey et al.	D646,392 S	10/2011	Collins et al.
D631,548 S	1/2011	McGill et al.	D650,063 S	12/2011	Collins et al.
D637,293 S	5/2011	Hickey et al.	D663,844 S	7/2012	McGill et al.
D639,177 S *	6/2011	Pape D9/550	D664,255 S	7/2012	Hickey et al.
D639,930 S	6/2011	Collins et al.	D664,660 S	7/2012	Hickey et al.
			D675,727 S	2/2013	Collins et al.
			D684,275 S *	6/2013	Wilson et al. D24/224
			D698,265 S *	1/2014	Flynn D9/734

* cited by examiner

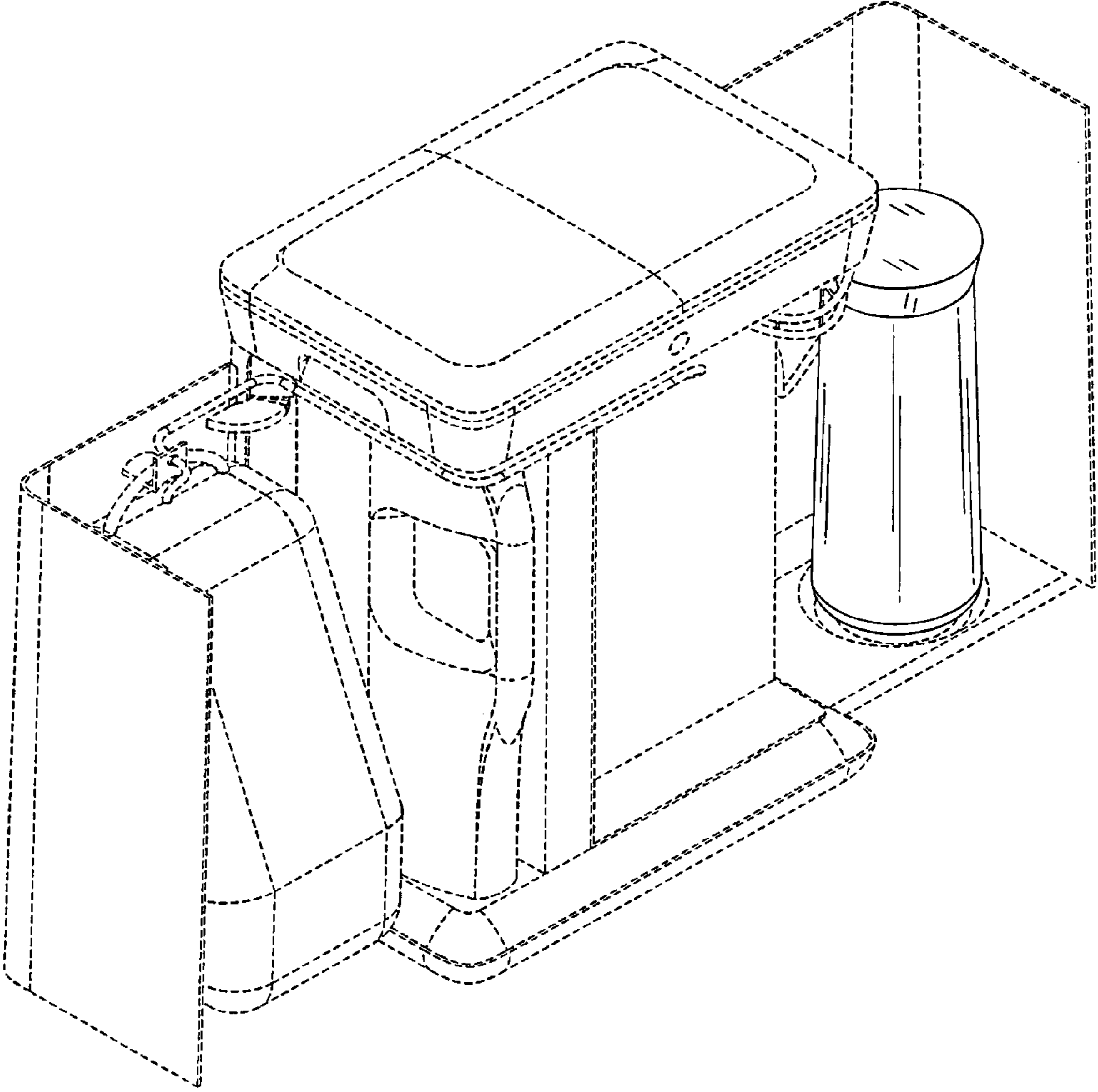


FIG. 1

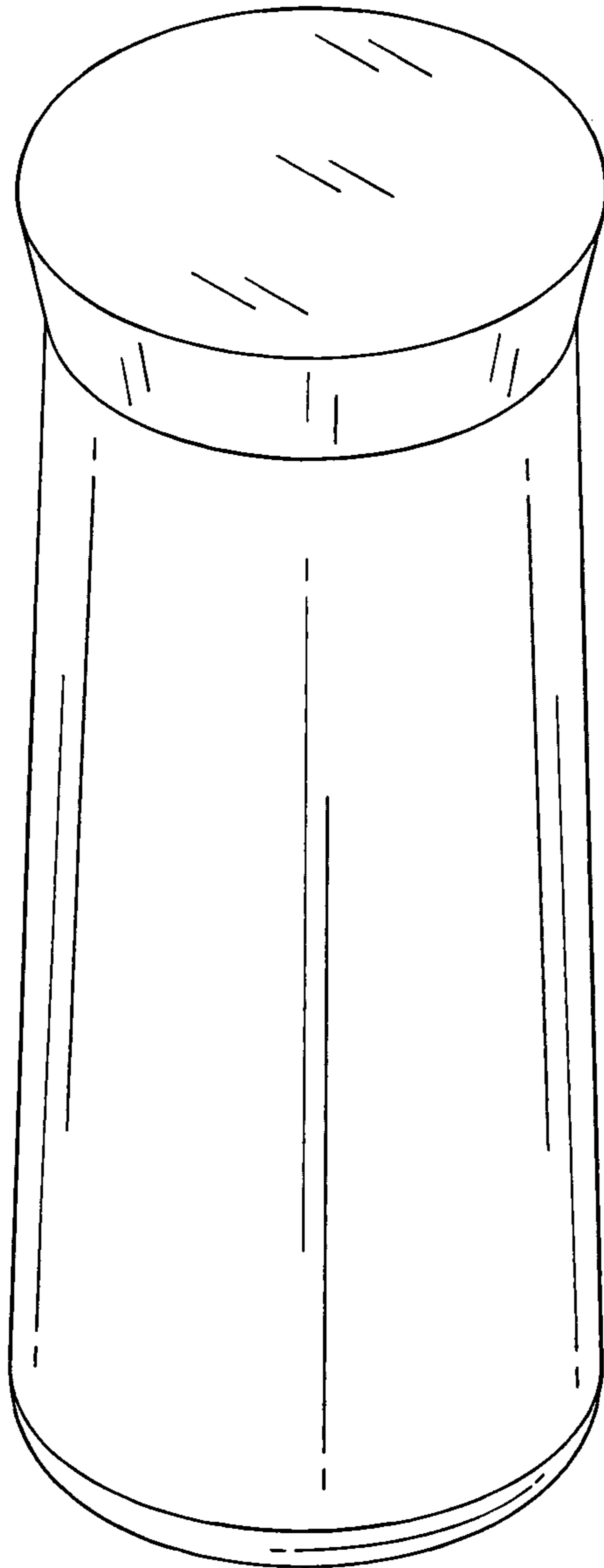


FIG. 2

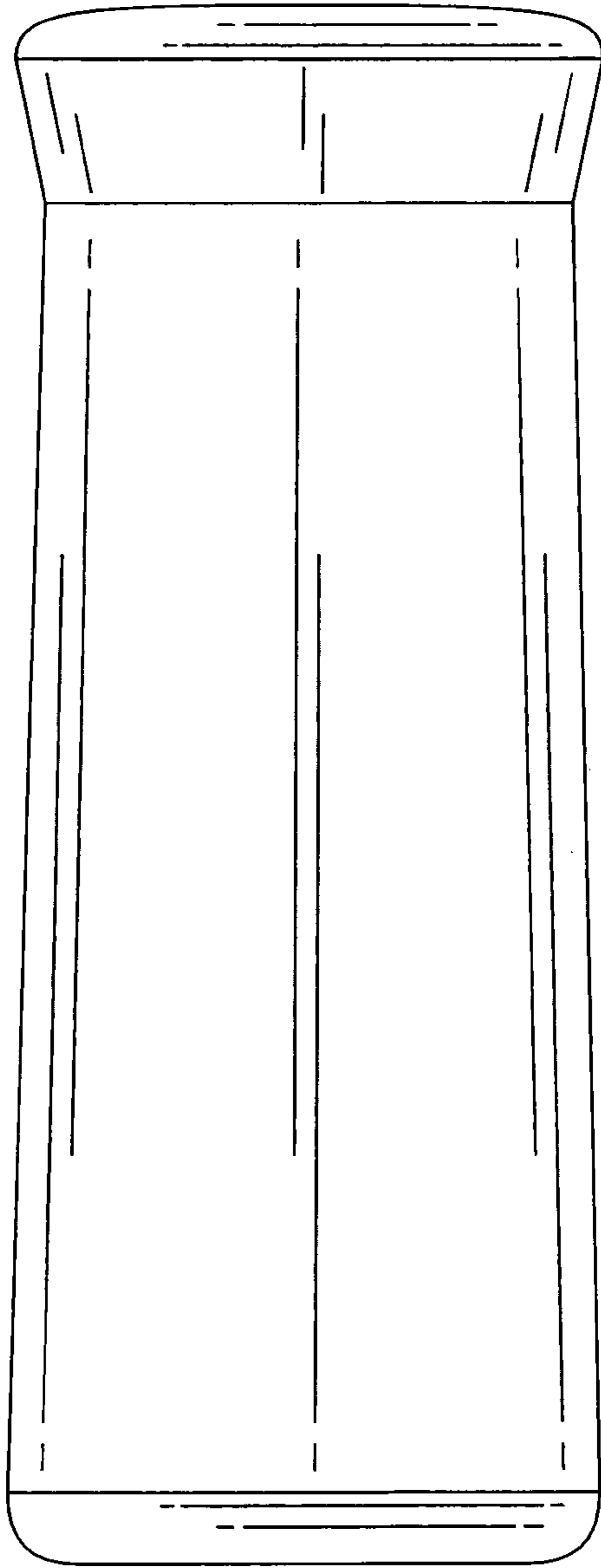


FIG. 3

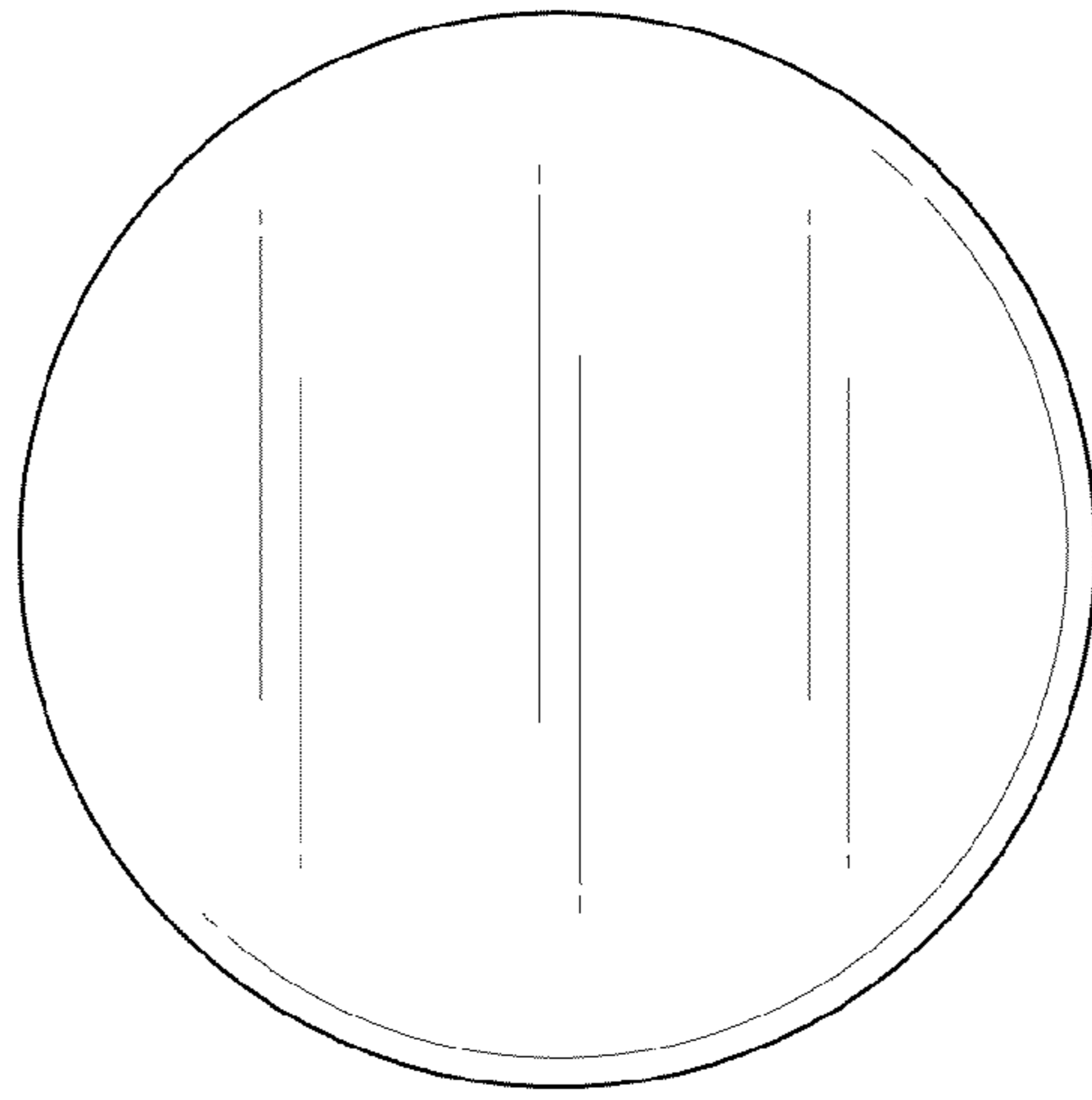


FIG. 4

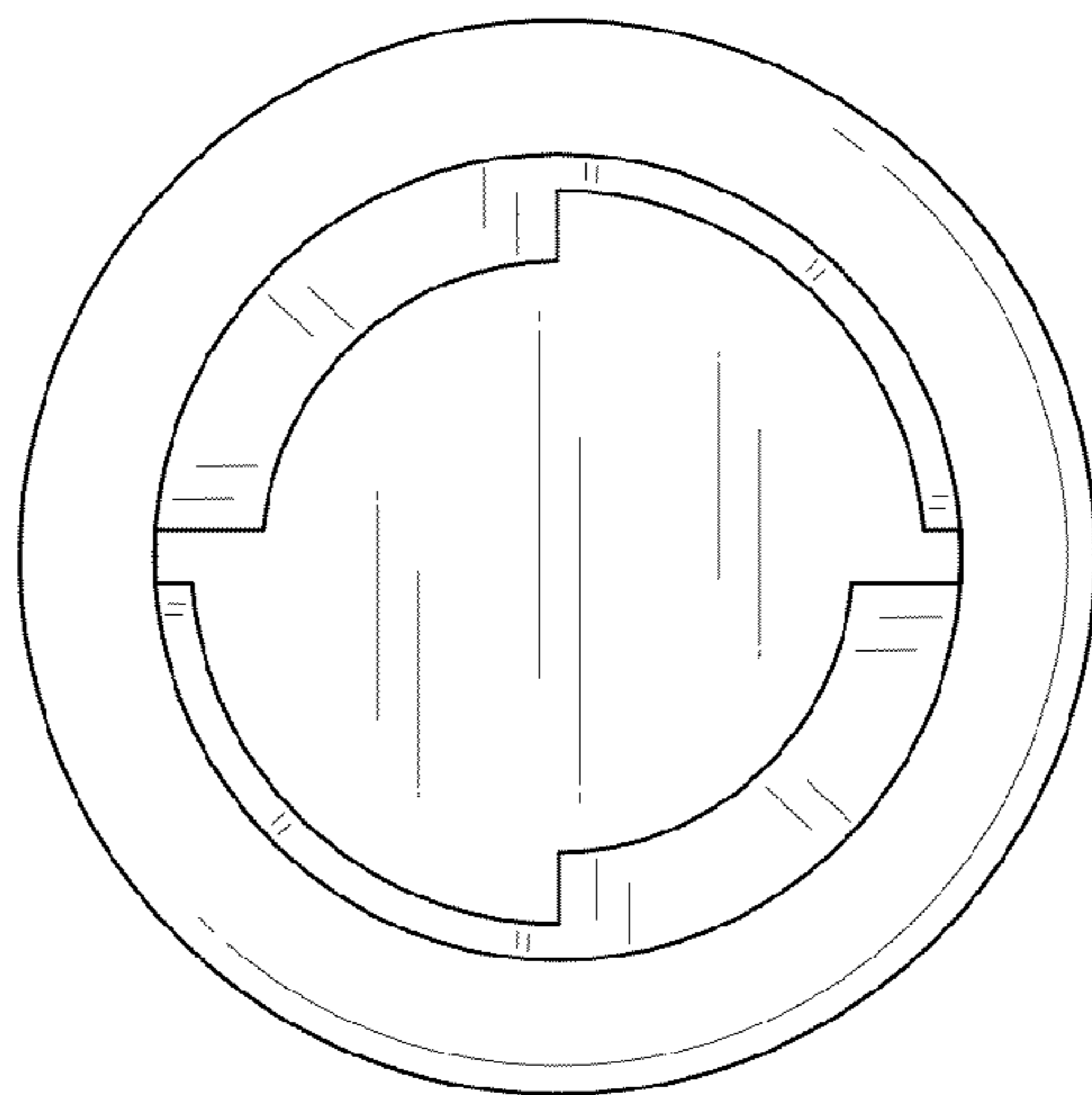


FIG. 5