

US00D720460S

(12) **United States Design Patent**  
**Jensen et al.**

(10) **Patent No.:** **US D720,460 S**

(45) **Date of Patent:** **\*\* Dec. 30, 2014**

(54) **HEARING AID**

- (71) Applicant: **Widex A/S**, Lyngø (DK)
- (72) Inventors: **Claus Erikslev Jensen**, Lyngø (DK);  
**Torben Arnt**, Lyngø (DK)
- (73) Assignee: **Widex A/S**, Lyngø (DK)
- (\*\*) Term: **14 Years**
- (21) Appl. No.: **29/475,667**
- (22) Filed: **Dec. 5, 2013**

**Related U.S. Application Data**

- (62) Division of application No. 29/424,755, filed on Jun. 15, 2012, now Pat. No. Des. 698,025.

**Foreign Application Priority Data**

- Dec. 15, 2011 (EM) ..... 001963182-0001
- (51) **LOC (10) Cl.** ..... **24-99**
- (52) **U.S. Cl.**  
USPC ..... **D24/174**
- (58) **Field of Classification Search**  
USPC ..... D24/173-175, 151; D14/205, 206,  
D14/223-226, 249; 381/23.1, 312,  
381/322-324, 328, 330, 380, 381; 181/135  
See application file for complete search history.

(56) **References Cited**

U.S. PATENT DOCUMENTS

D473,652 S	4/2003	Darley et al.	
D579,567 S	10/2008	Pedersen	
D647,204 S	10/2011	Borregarrd	
D674,094 S	1/2013	Takano et al.	
D676,969 S *	2/2013	Meinertz	D24/174
D685,912 S	7/2013	Havn et al.	
D687,952 S *	8/2013	Dubs	D24/174
D698,025 S *	1/2014	Jensen et al.	D24/174
2010/0111315 A1	5/2010	Kroman	
2012/0257774 A1	10/2012	Larsen et al.	

\* cited by examiner

*Primary Examiner* — Anhdao Doan  
(74) *Attorney, Agent, or Firm* — Sughrue Mion, PLLC

(57) **CLAIM**

The ornamental design for a hearing aid, as shown and described.

**DESCRIPTION**

FIG. 1 is a rear view of a hearing aid showing our new design; FIG. 2 is a left side view thereof; FIG. 3 is a front view thereof; FIG. 4 is a top view thereof; FIG. 5 is a right side view thereof; FIG. 6 is a bottom view thereof; and, FIG. 7 is a perspective view thereof. The broken lines represent unclaimed portions of the hearing aid and form no part of the claimed design.

**1 Claim, 7 Drawing Sheets**

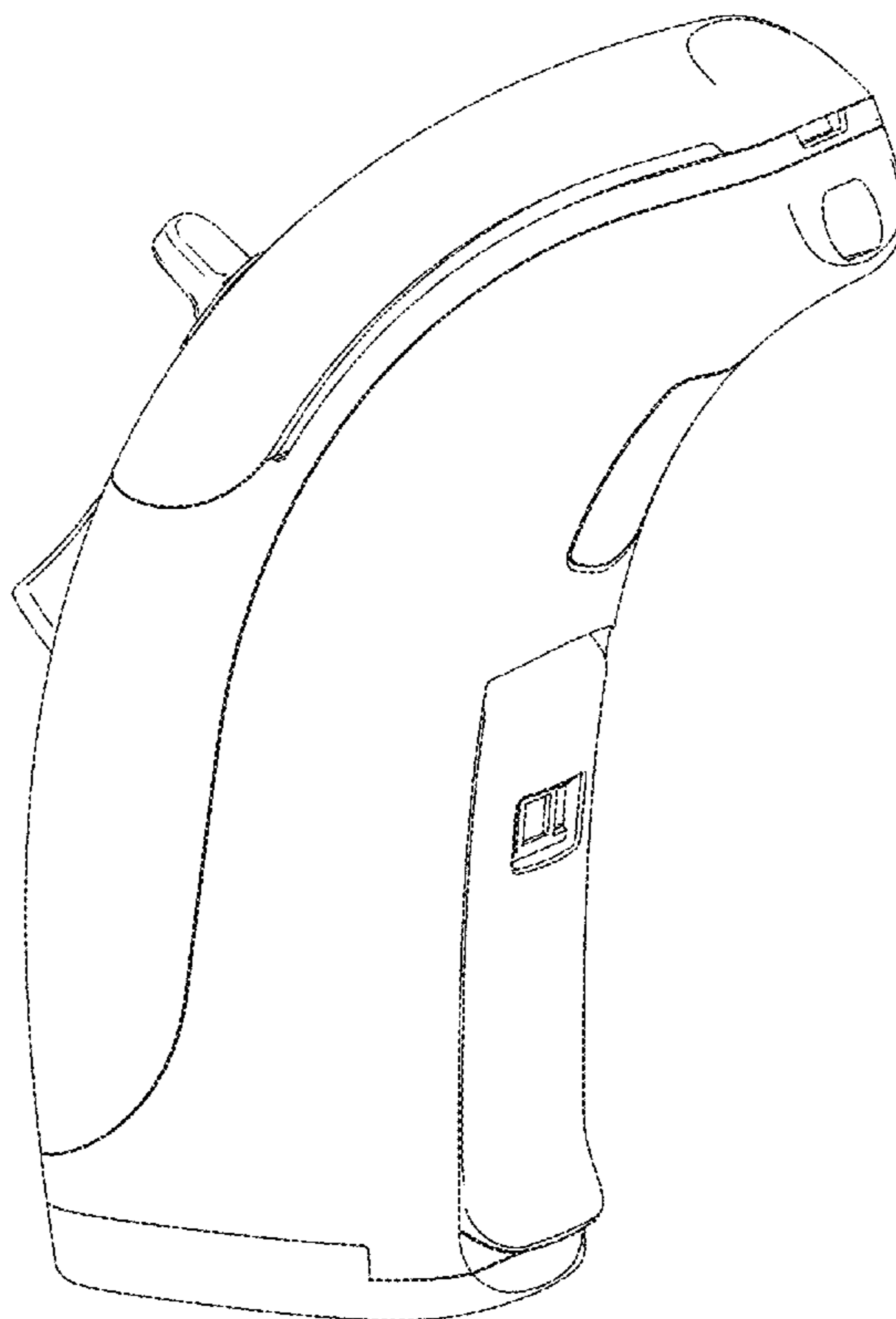


FIGURE 1

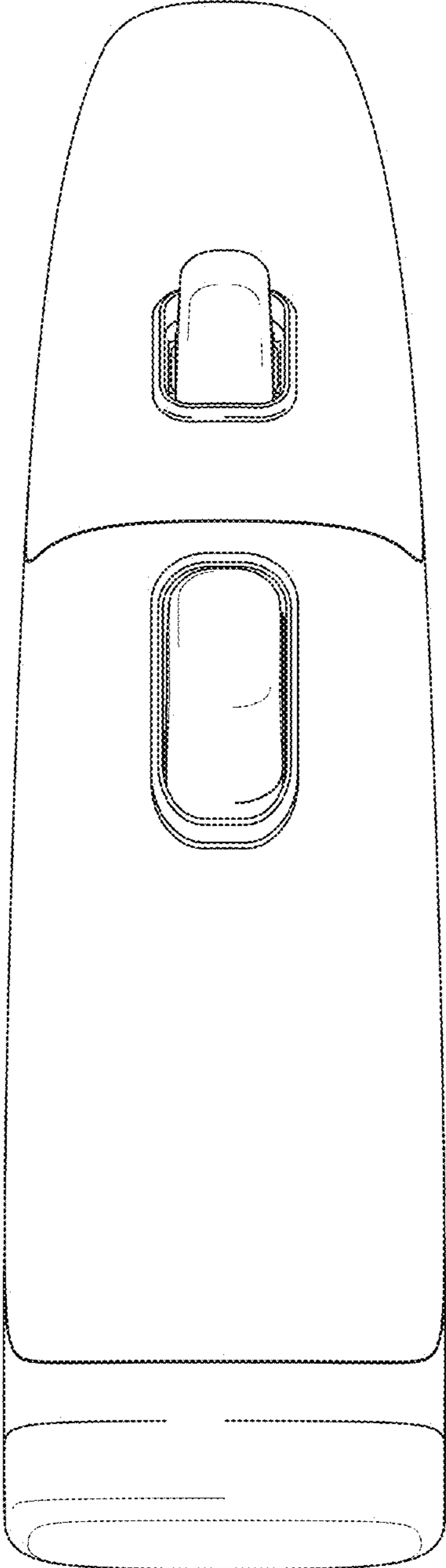


FIGURE 2

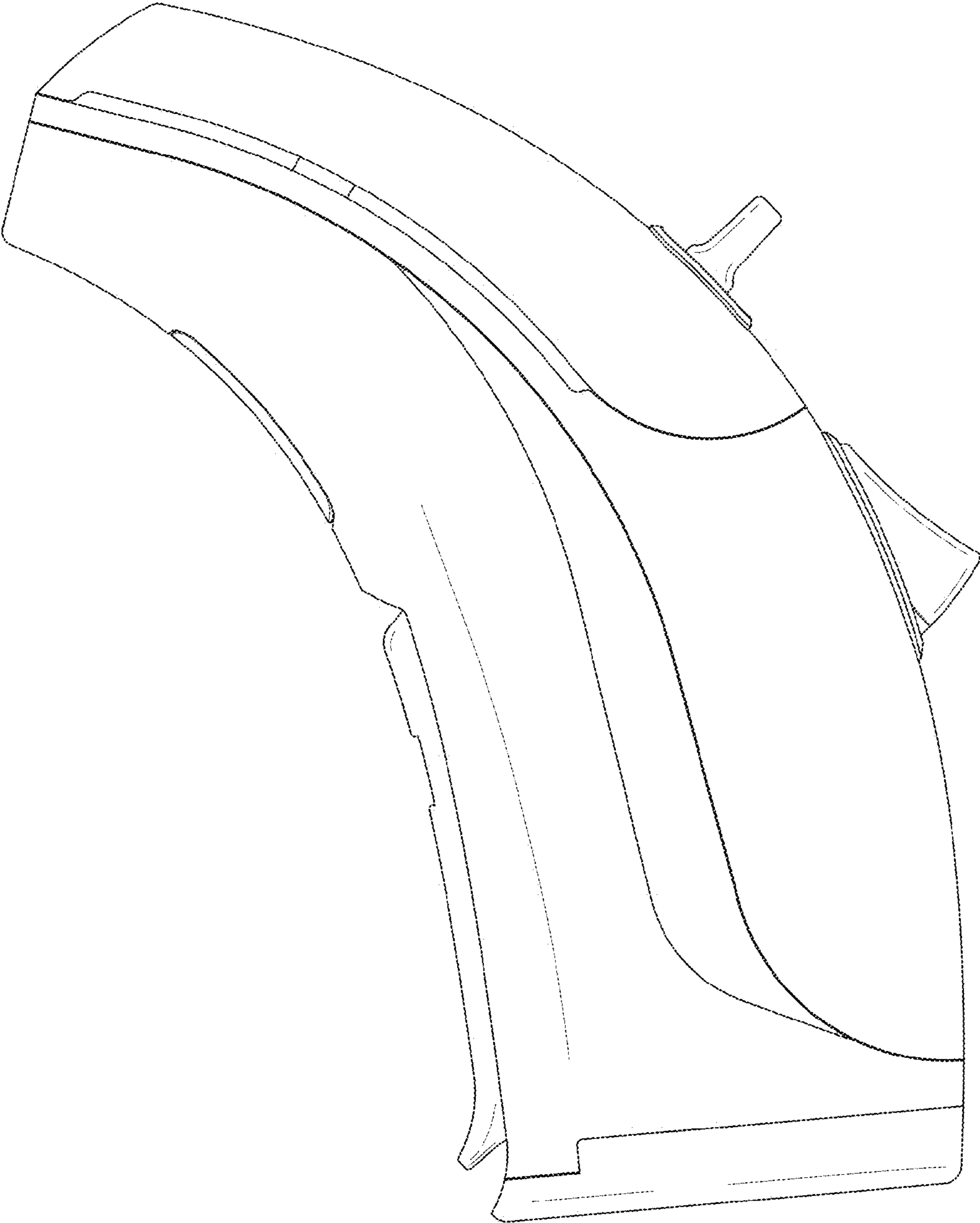


FIGURE 3

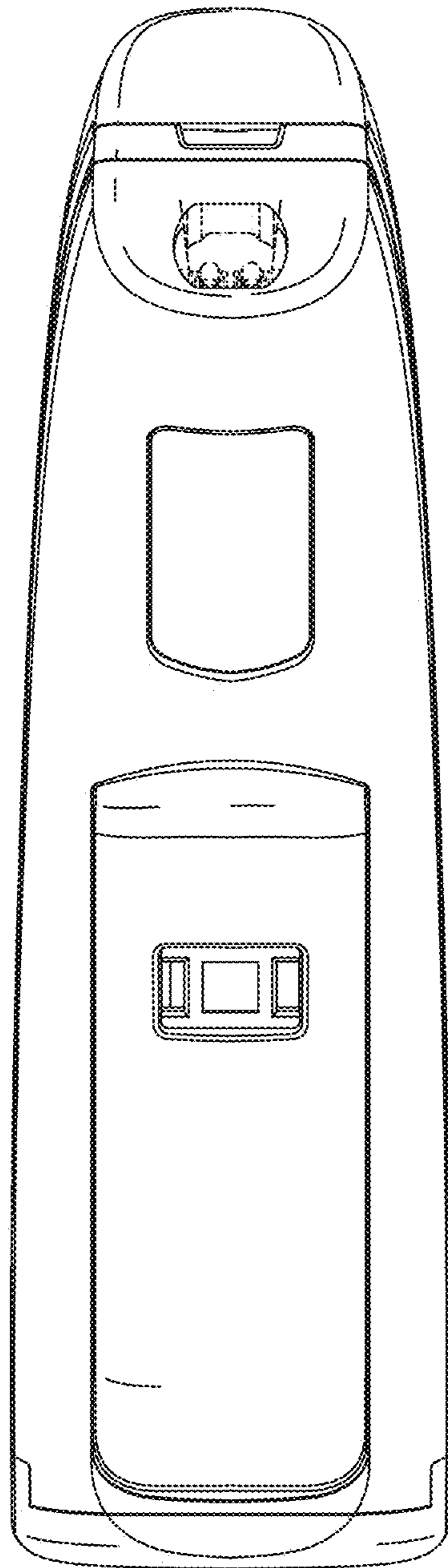


FIGURE 4

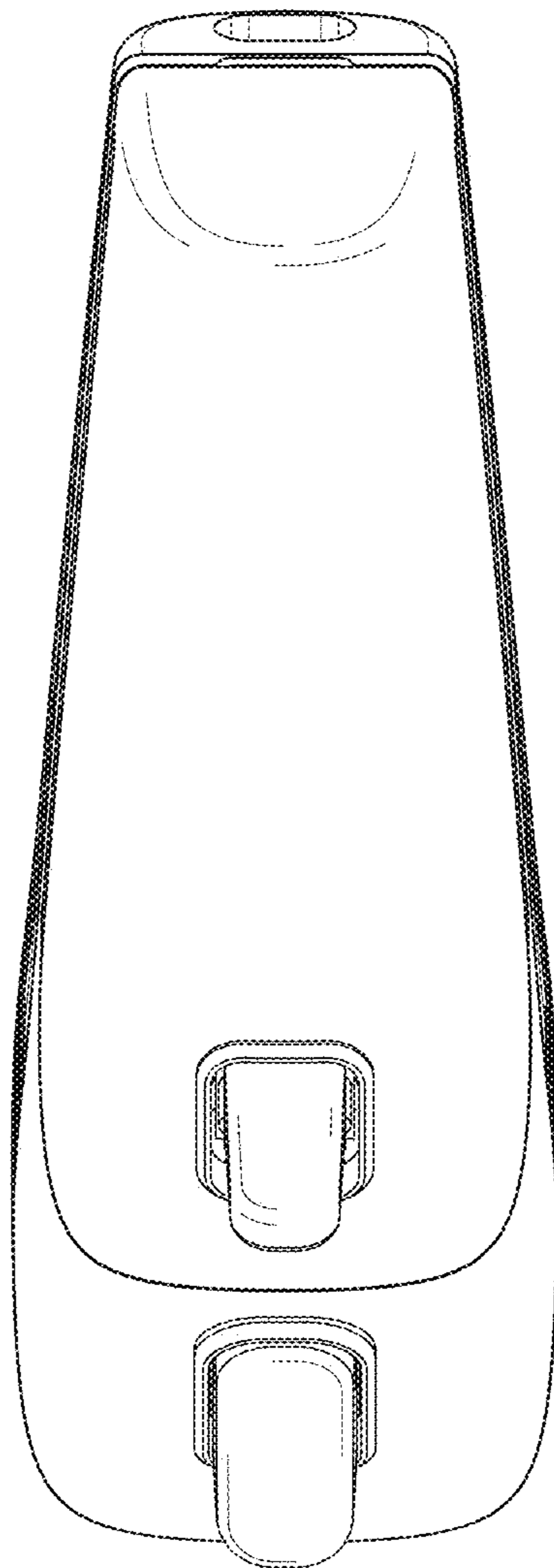


FIGURE 5

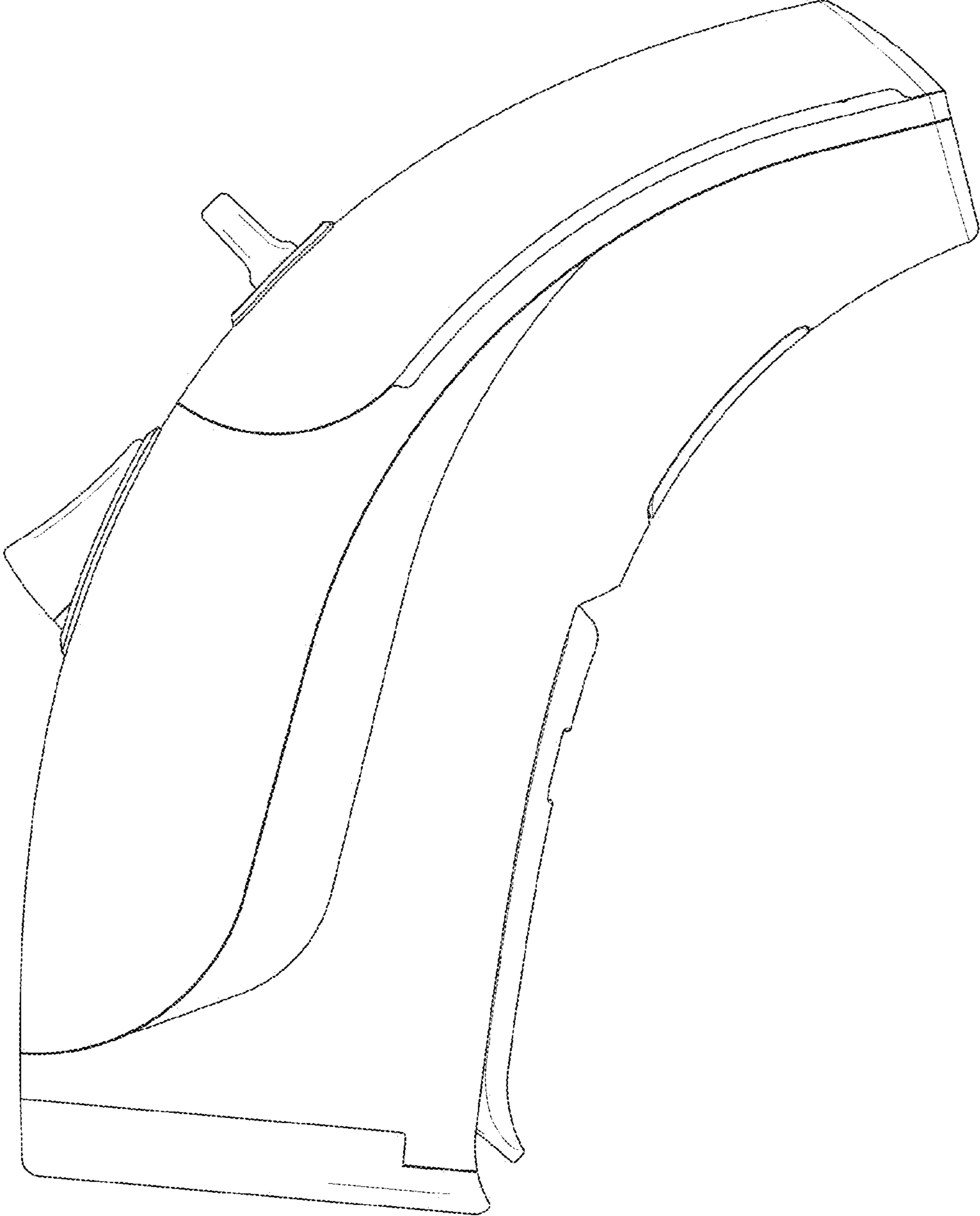


FIGURE 6

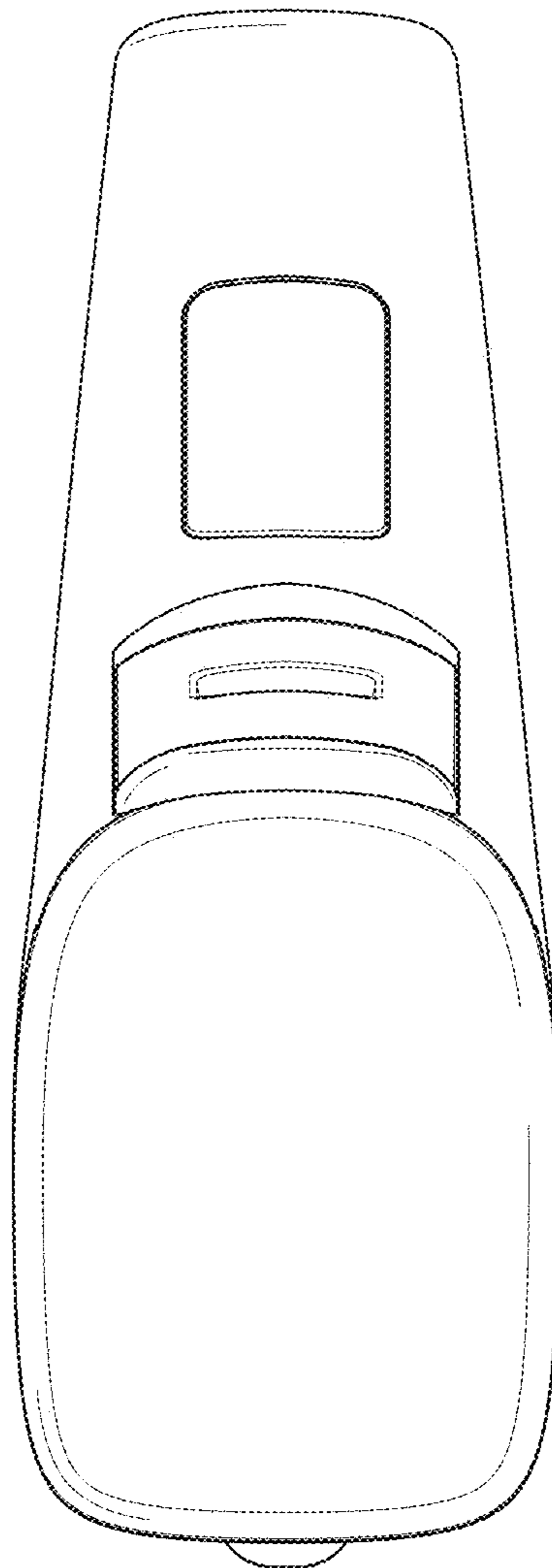


FIGURE 7

