



US00D720459S

(12) **United States Design Patent**  
**Faux et al.**

(10) **Patent No.:** **US D720,459 S**

(45) **Date of Patent:** **\*\* Dec. 30, 2014**

(54) **HAMMER TOE CORRECTING APPARATUS**

(71) Applicant: **FootMind, Inc.**, Alpine, UT (US)

(72) Inventors: **Jonathan Robert Faux**, Provo, UT (US); **Chris Robert Hughes**, Alpine, UT (US)

(73) Assignee: **FootMind, Inc.**, Alpine, UT (US)

(\*\*) Term: **14 Years**

(21) Appl. No.: **29/465,004**

(22) Filed: **Aug. 22, 2013**

(51) **LOC (10) Cl.** ..... **24-00**

(52) **U.S. Cl.**  
USPC ..... **D24/171**

(58) **Field of Classification Search**  
USPC ..... D24/171, 170, 143, 144, 176, 221, 231, 242/213, 212, 226, 192, 146-149, 153, D24/154; D15/139; 128/882; 7/170; 83/873, 83/875, 86, 120; 601/22, 27-29, 32, 39, 601/104; 606/53, 59, 320, 321, 324, 327, 606/328, 329

See application file for complete search history.

(56) **References Cited**

**U.S. PATENT DOCUMENTS**

D400,547 S	*	11/1998	Albrektsson et al.	.....	D15/139
D420,445 S	*	2/2000	Von Weissenfluh et al.	.	D24/176
D507,649 S	*	7/2005	Padain	.....	D24/144
D634,343 S	*	3/2011	Burke, III	.....	D15/139

\* cited by examiner

*Primary Examiner* — Ian Simmons

*Assistant Examiner* — Rhea Shields

(74) *Attorney, Agent, or Firm* — Dhurham Jones & Pinegar Intellectual Property Law Group

(57) **CLAIM**

The ornamental design for hammer toe correcting apparatus, as shown and described.

**DESCRIPTION**

FIG. 1 is frontal perspective view of an embodiment of elements of an hammer toe correcting apparatus, including a first element for forming a male member of a joint and a second element for forming a female member of the joint;

FIG. 2 is a first side view of the hammer toe correcting apparatus of FIG. 1;

FIG. 3 is a bottom view of the hammer toe correcting apparatus of FIG. 1;

FIG. 4 is a second side view of the hammer toe correcting apparatus of FIG. 1;

FIG. 5 is a top view of the hammer toe correcting apparatus of FIG. 1;

FIG. 6 is a cutting end view of the first element of the hammer toe correcting apparatus of FIG. 1;

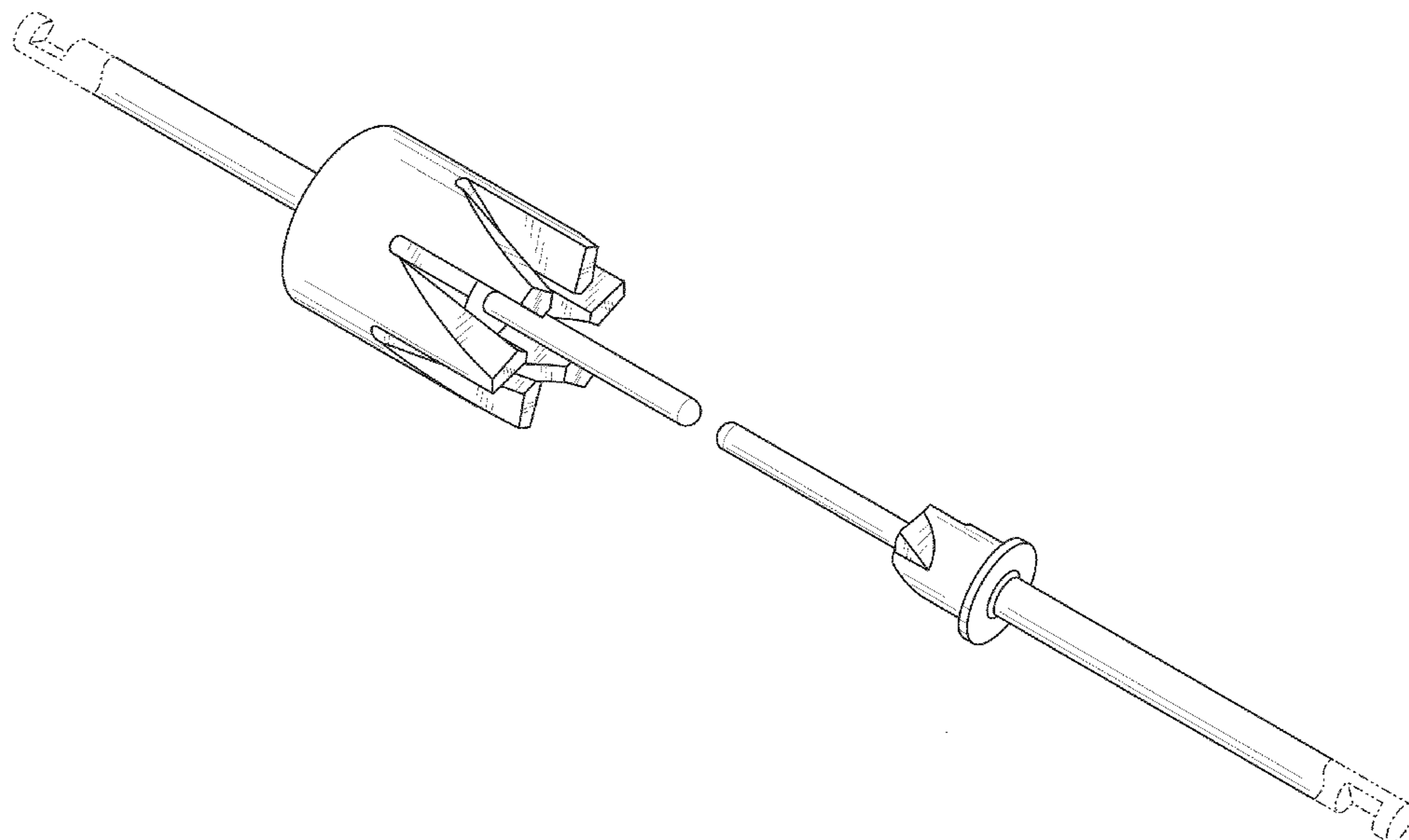
FIG. 7 is a cutting end view of the second element of the hammer toe correcting apparatus of FIG. 1;

FIG. 8 is a coupling end view of the first element of the hammer toe correcting apparatus of FIG. 1; and,

FIG. 9 is a coupling end view of the second element of the hammer toe correcting apparatus of FIG. 1.

In the drawings, the broken lines depict unclaimed environment only and form no part of the claimed design.

**1 Claim, 4 Drawing Sheets**



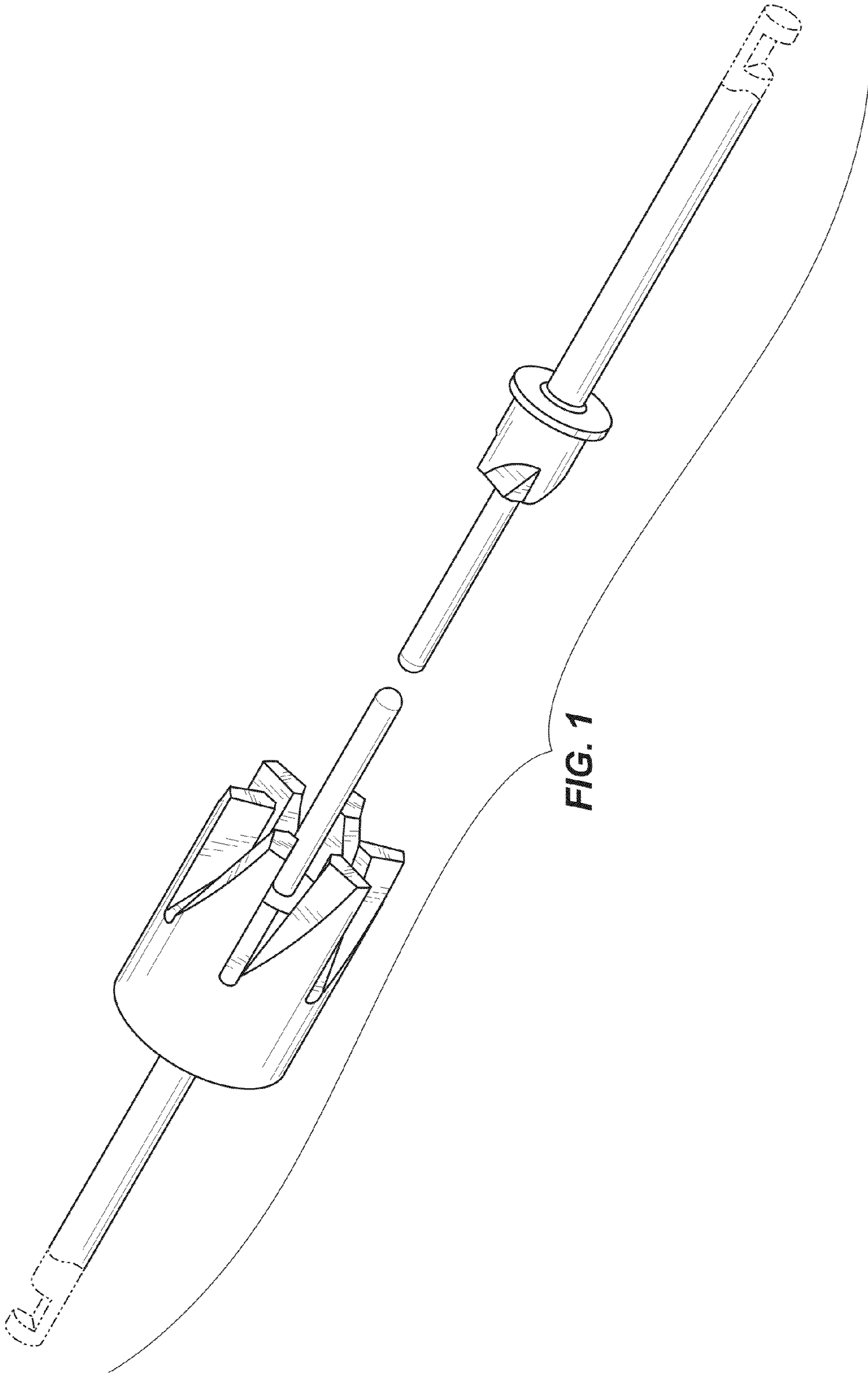
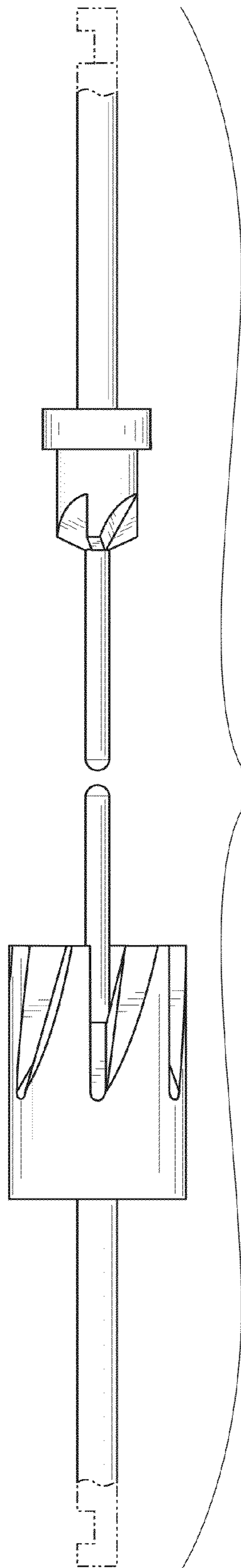
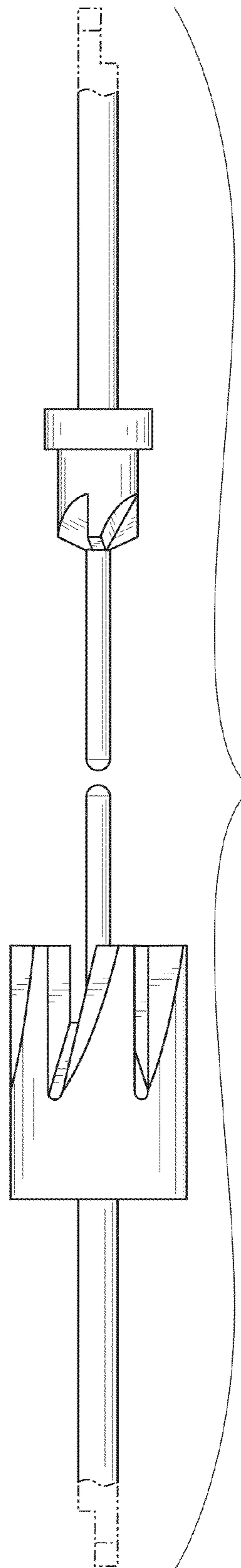


FIG. 1



**FIG. 2**



**FIG. 3**

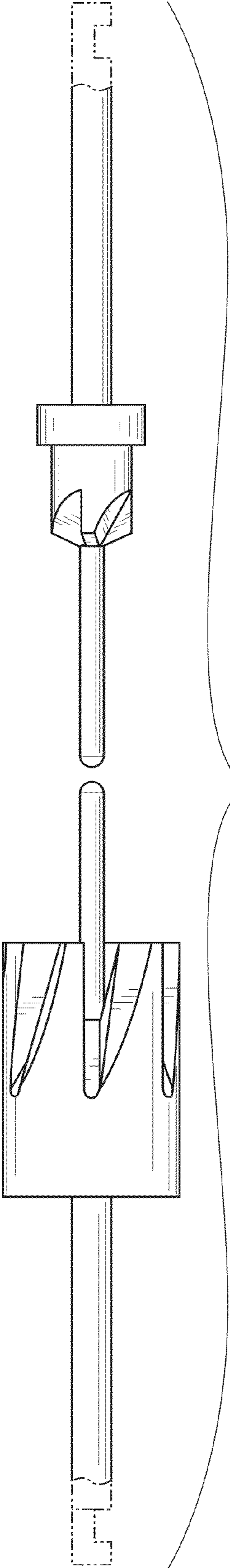


FIG. 4

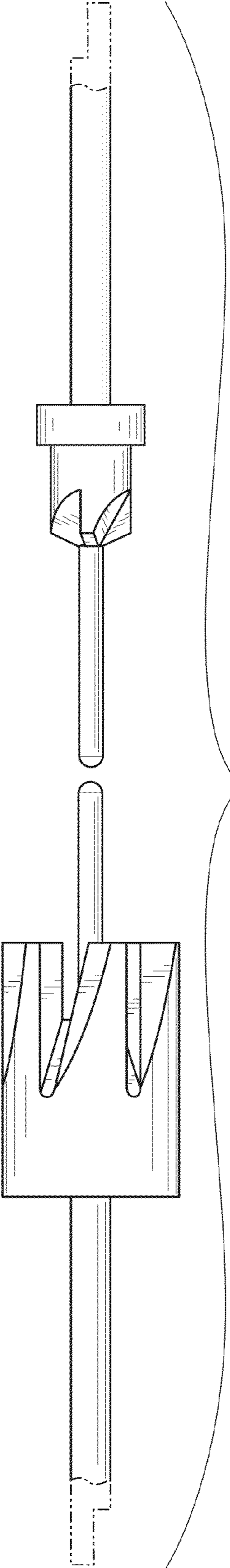
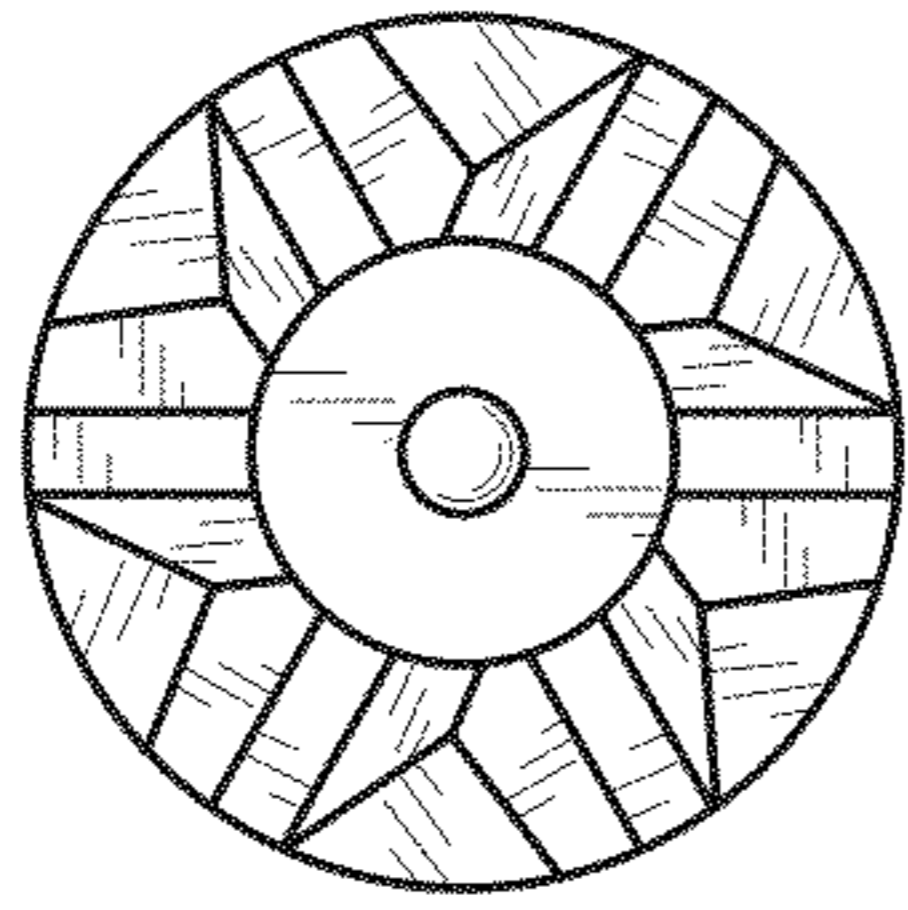
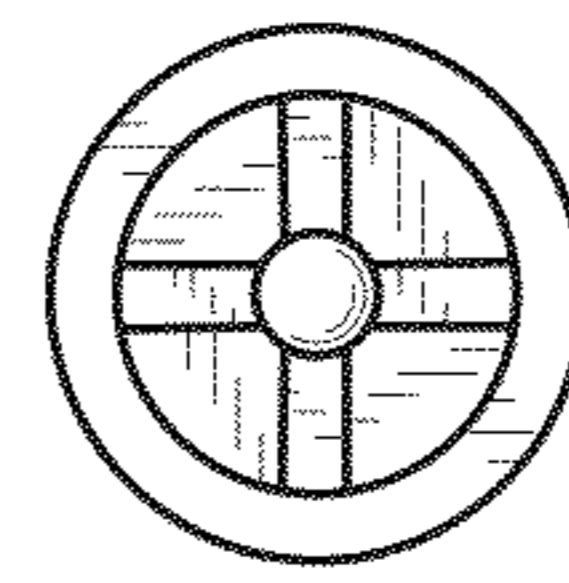


FIG. 5

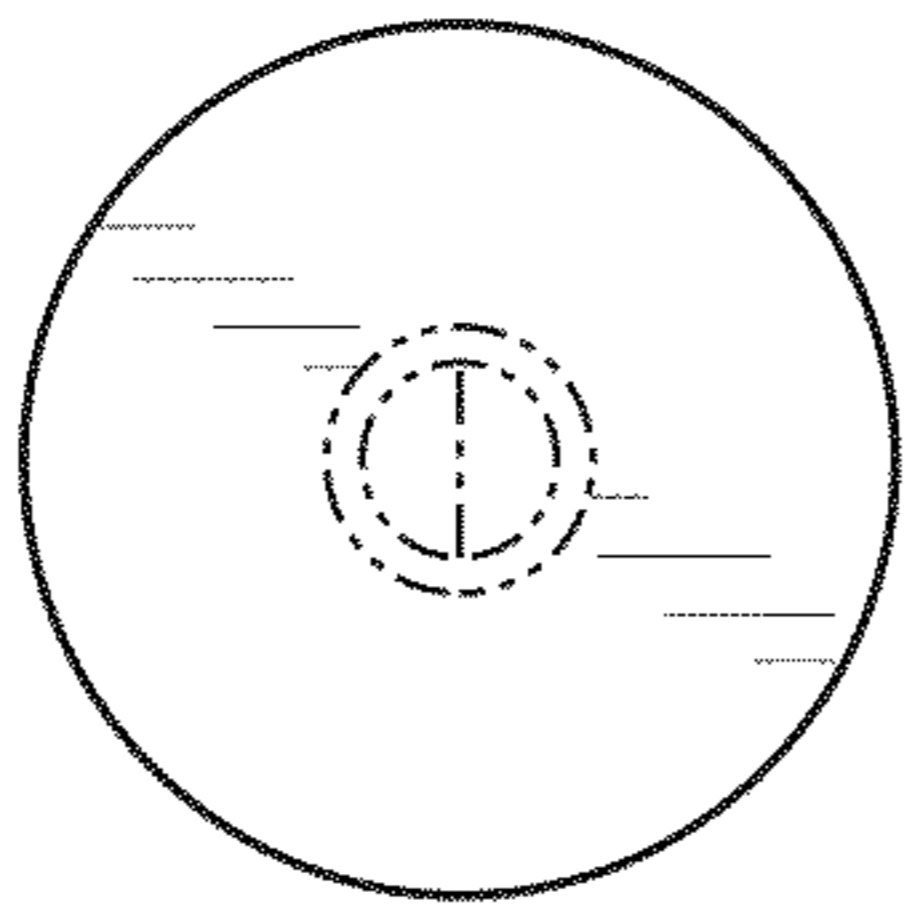




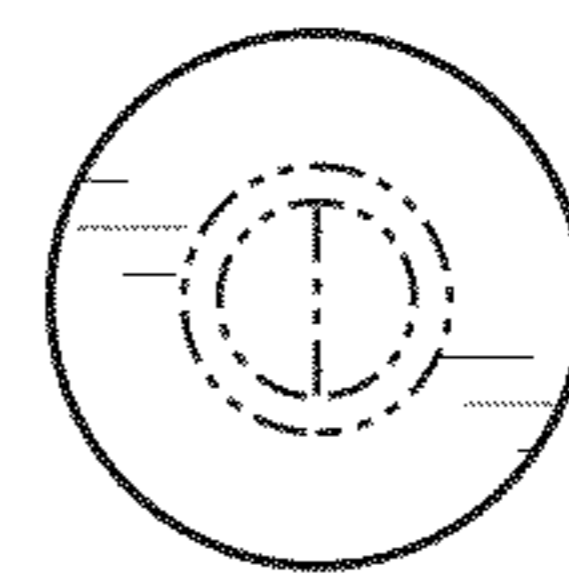
**FIG. 6**



**FIG. 7**



**FIG. 8**



**FIG. 9**