



US00D720458S

(12) **United States Design Patent**
Hagenmeyer

(10) **Patent No.:** **US D720,458 S**

(45) **Date of Patent:** **** Dec. 30, 2014**

(54) **MEDICAL IMPLANT**

(71) Applicant: **HG Medical GmbH**, Raisting (DE)

(72) Inventor: **Johannes Hagenmeyer**, Dießen (DE)

(73) Assignee: **HG Medical GmbH**, Raisting (DE)

(**) Term: **14 Years**

(21) Appl. No.: **29/464,817**

(22) Filed: **Aug. 21, 2013**

(30) **Foreign Application Priority Data**

Feb. 22, 2013 (EM) 002190041

(51) **LOC (10) Cl.** **24-02**

(52) **U.S. Cl.**
USPC **D24/155**

(58) **Field of Classification Search**
USPC D24/155–156, 176; D15/21, 28;
433/172–174; 623/17.16, 17.17, 11.11,
623/23.26, 23.27; 606/254, 257, 264, 273,
606/290, 301, 71
See application file for complete search history.

(56) **References Cited**

U.S. PATENT DOCUMENTS

D364,462 S * 11/1995 Michelson D24/145
D378,409 S * 3/1997 Michelson D24/145

D411,009 S * 6/1999 Asfora D24/155
6,595,993 B2 * 7/2003 Donno et al. 606/71
7,322,983 B2 * 1/2008 Harris 606/273
D574,082 S * 7/2008 Orthner D24/155
8,475,498 B2 * 7/2013 Jackson 606/254
8,506,599 B2 * 8/2013 Jackson 606/264
8,613,760 B2 * 12/2013 Jackson 606/254
8,641,734 B2 * 2/2014 Moumene et al. 606/257
8,728,129 B2 * 5/2014 Fritzinger et al. 606/290
2013/0018427 A1 * 1/2013 Pham et al. 606/301

* cited by examiner

Primary Examiner — Ian Simmons

Assistant Examiner — Charles Hanson

(74) *Attorney, Agent, or Firm* — Knobbe, Martens, Olson & Bear LLP

(57) **CLAIM**

The ornamental design for the medical implant, as shown.

DESCRIPTION

FIG. 1 is a perspective view of a medical implant according to my new design.

FIG. 2 is a front elevational view thereof.

FIG. 3 is a rear elevational view thereof.

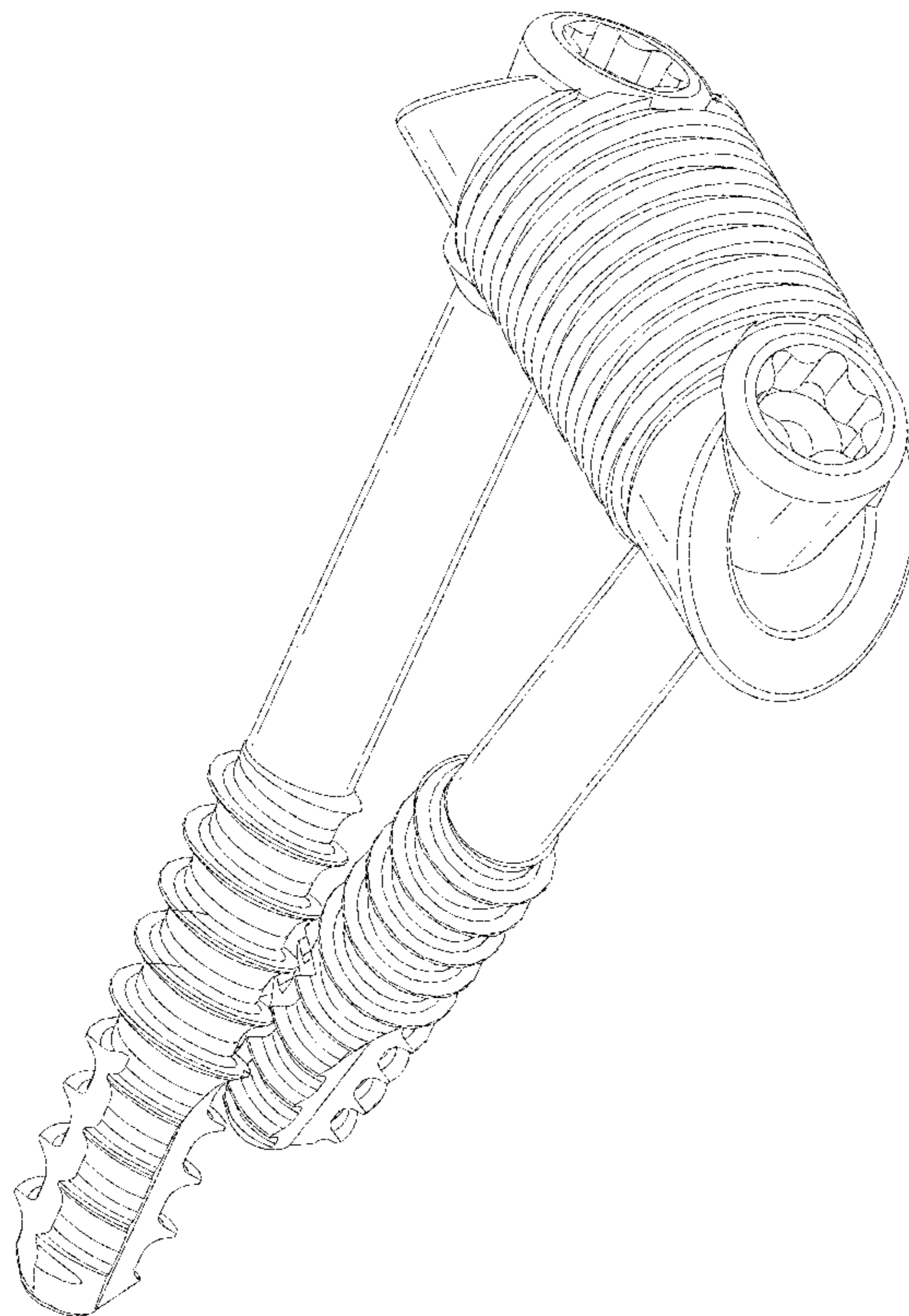
FIG. 4 is a right side elevational view thereof.

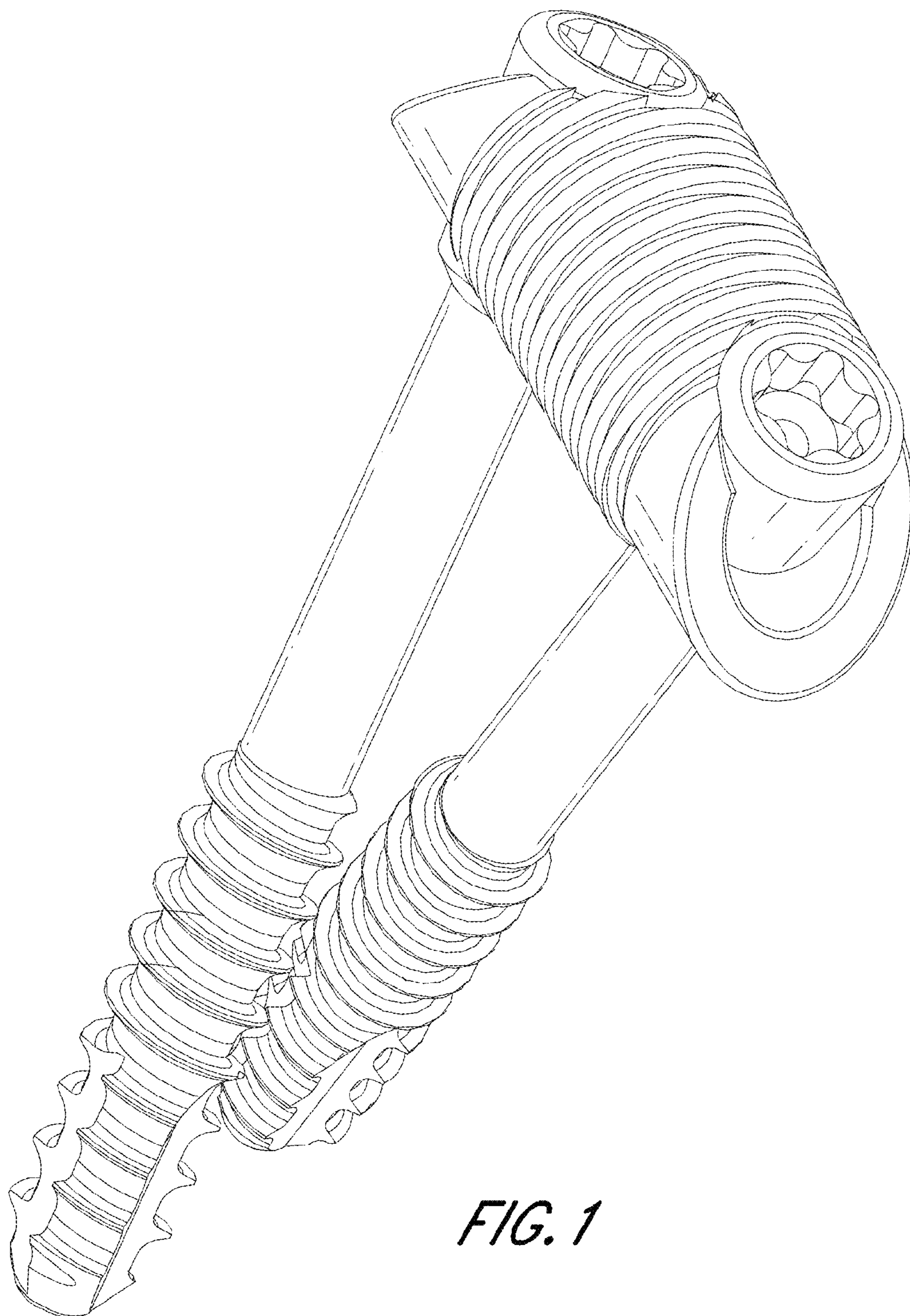
FIG. 5 is a left side elevational view thereof.

FIG. 6 is a top plan view thereof; and,

FIG. 7 is a bottom plan view thereof.

1 Claim, 7 Drawing Sheets





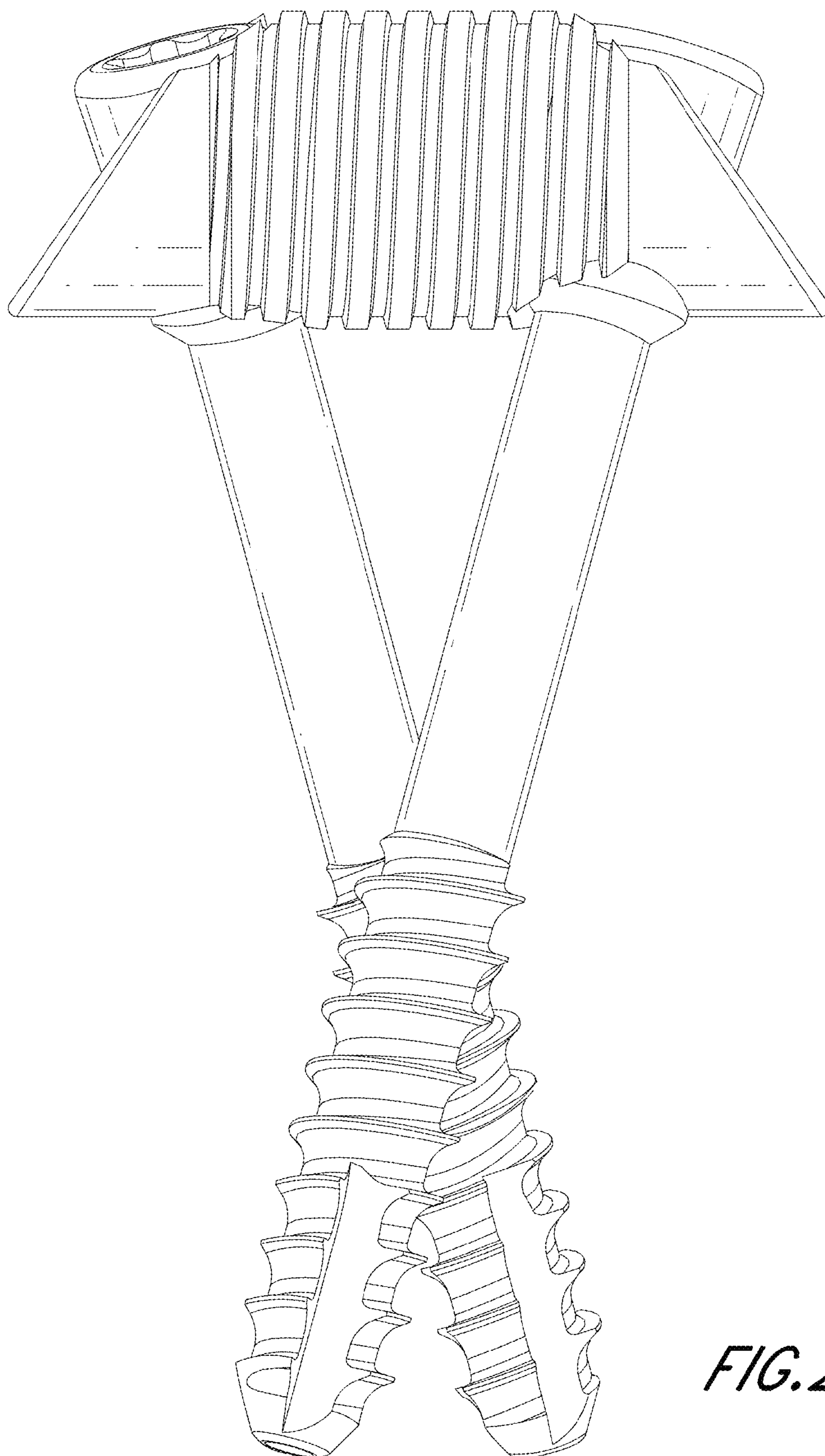


FIG. 2

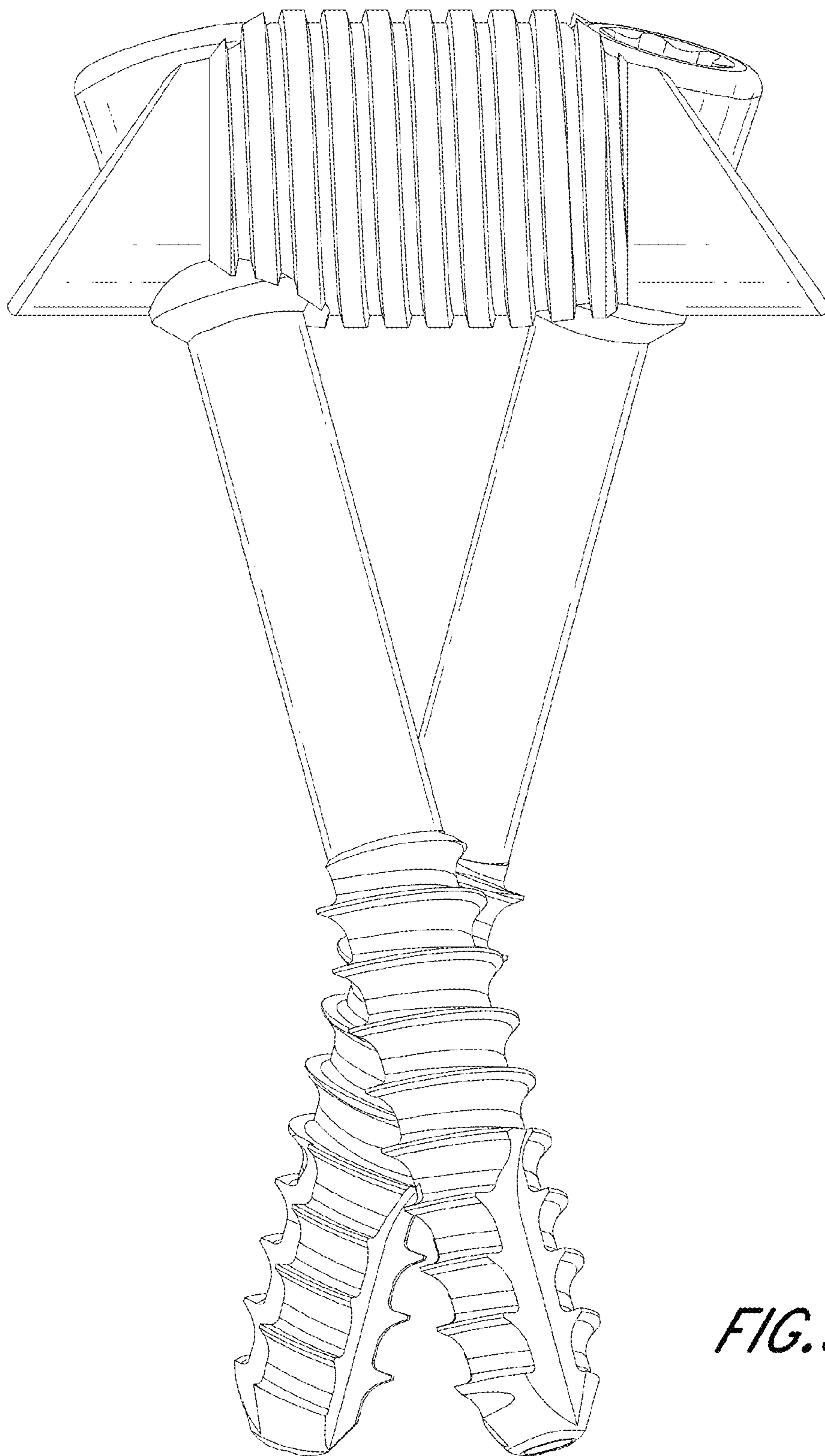


FIG. 3

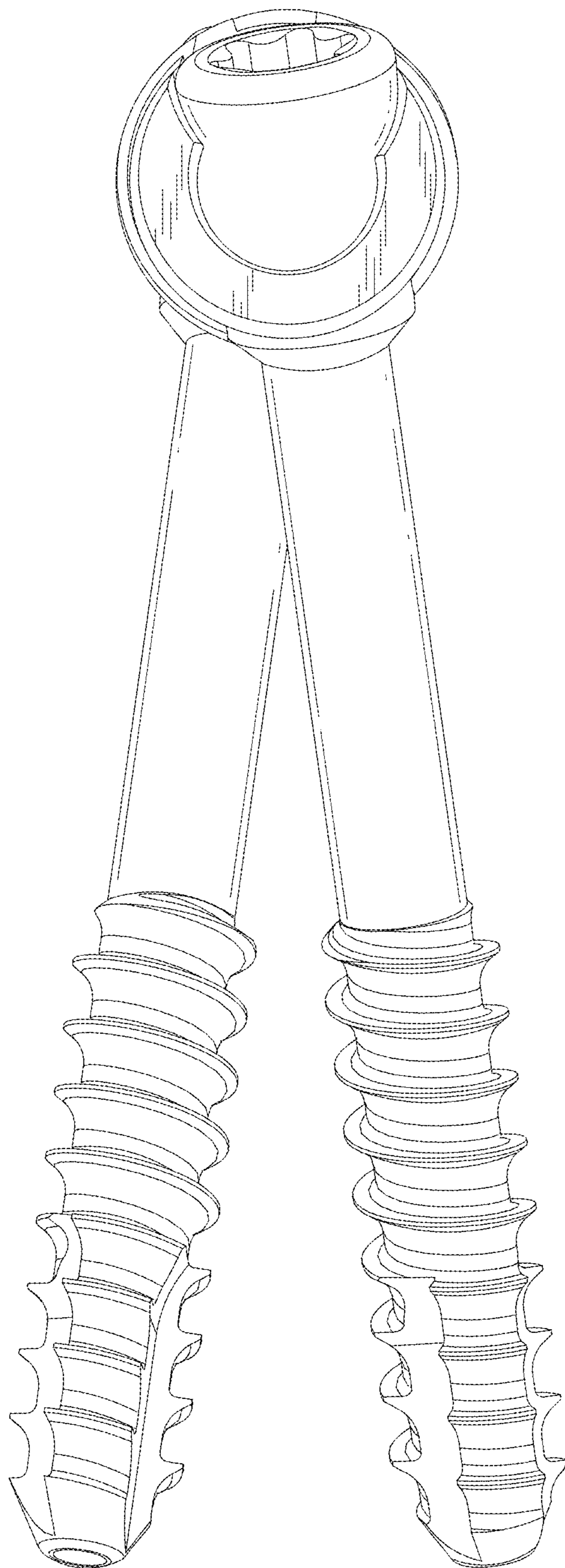


FIG. 4

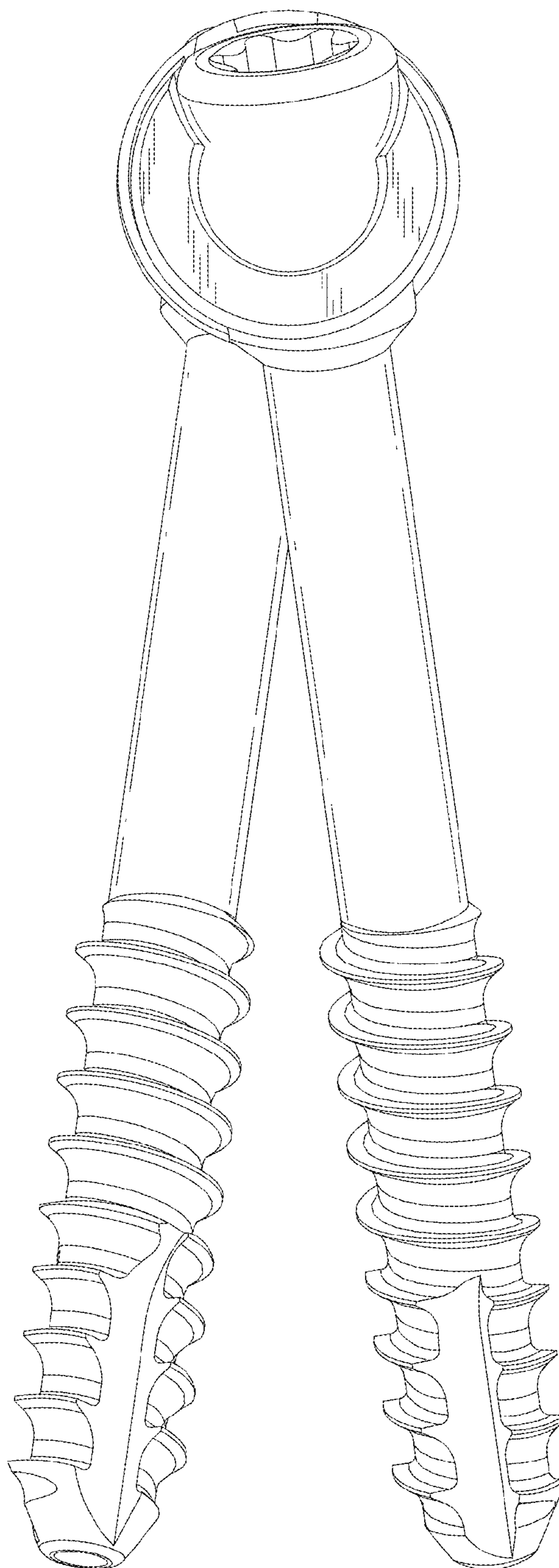


FIG. 5

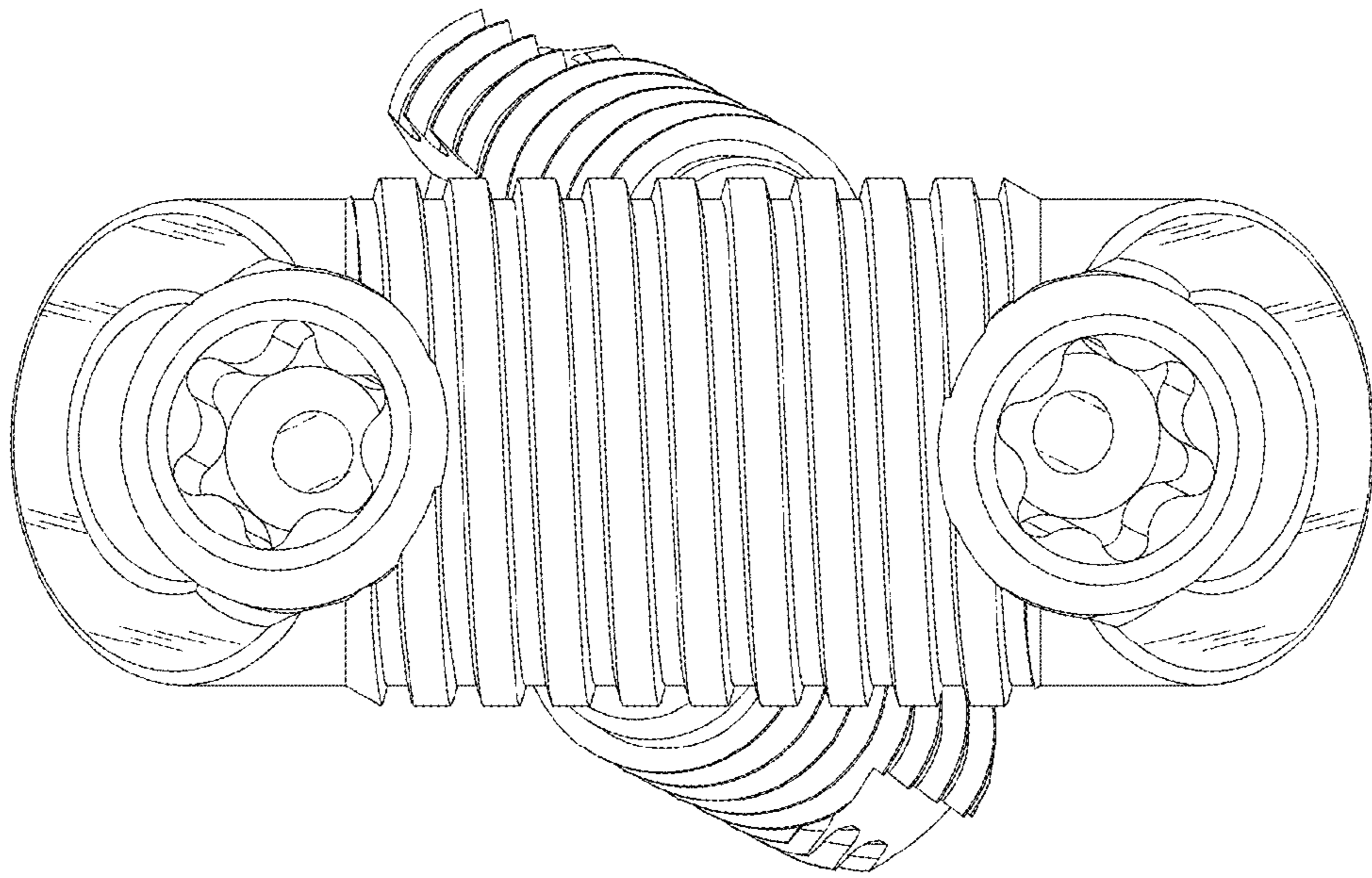


FIG. 6

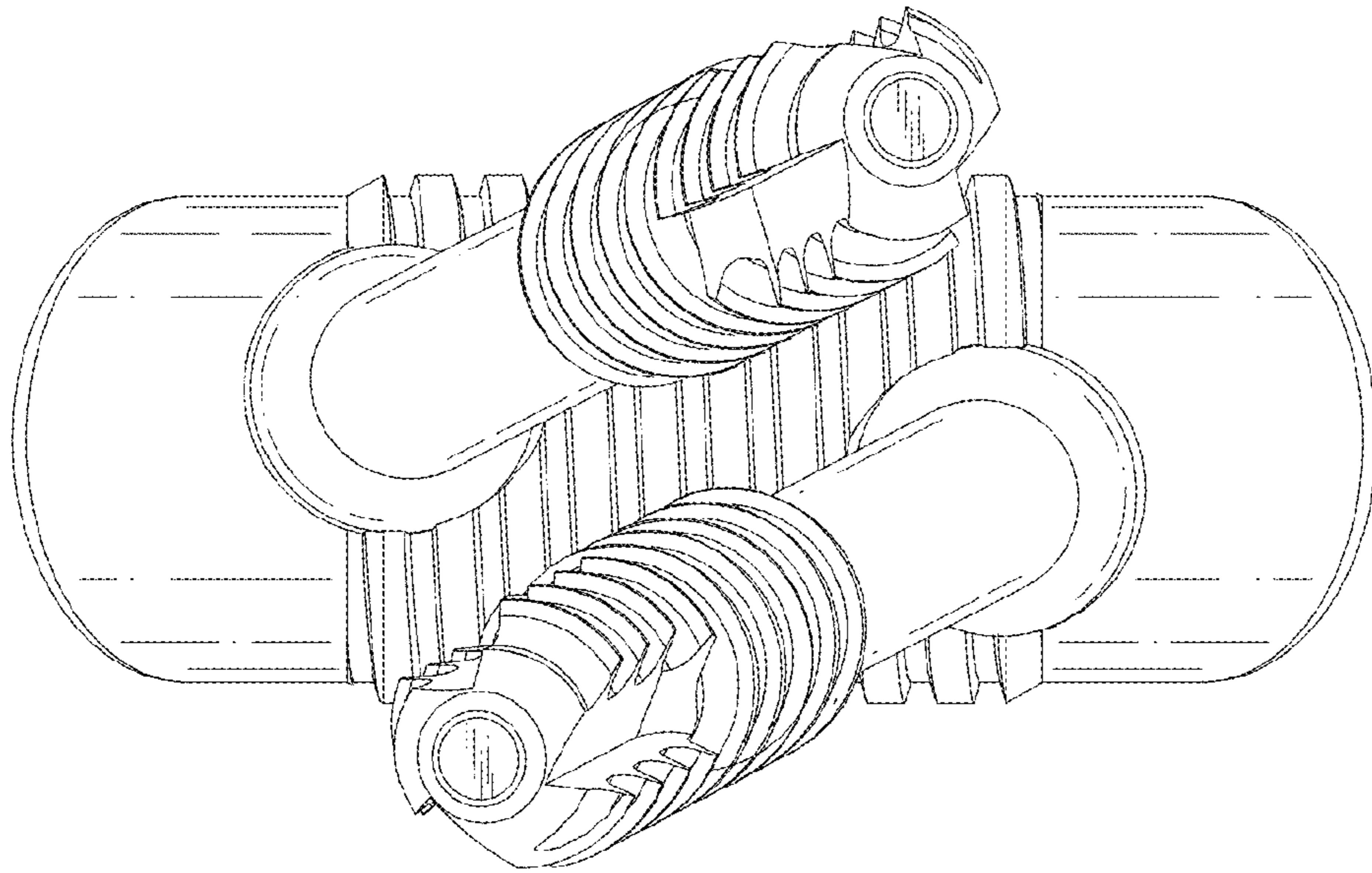


FIG. 7

UNITED STATES PATENT AND TRADEMARK OFFICE
CERTIFICATE OF CORRECTION

PATENT NO. : D720,458 S
APPLICATION NO. : 29/464817
DATED : December 30, 2014
INVENTOR(S) : Schroth

Page 1 of 1

It is certified that error appears in the above-identified patent and that said Letters Patent is hereby corrected as shown below:

Title Page, Item (12) delete "Hagenmeyer" and insert --Schroth--.

Title Page, Item (72) Inventors should read

--(72) Inventor: Axel Schroth, Iffeldorf (DE)--.

Signed and Sealed this
Third Day of November, 2015



Michelle K. Lee
Director of the United States Patent and Trademark Office