



US00D720452S

(12) **United States Design Patent**
Jordan

(10) **Patent No.:** **US D720,452 S**

(45) **Date of Patent:** **** Dec. 30, 2014**

(54) **SYRINGE CONNECTION HUB**

(76) Inventor: **Mark Jordan**, Sunrise, FL (US)

(**) Term: **14 Years**

(21) Appl. No.: **29/408,697**

(22) Filed: **Dec. 15, 2011**

(51) **LOC (10) Cl.** **24-02**

(52) **U.S. Cl.**
USPC **D24/130**

(58) **Field of Classification Search**

USPC D24/127-131, 112-114, 133, 186, 146,
D24/147; 606/181, 185; 604/264, 272, 115,
604/232, 187, 158, 164.08, 192, 263, 163,
604/181, 184, 198, 227; 600/101, 139, 143,
600/566; 128/200.24, 207.14, 207.15
See application file for complete search history.

(56) **References Cited**

U.S. PATENT DOCUMENTS

3,987,930	A	*	10/1976	Fuson	220/287
D357,734	S	*	4/1995	Mongeon	D24/129
D363,541	S	*	10/1995	Cottone et al.	D24/129
D460,820	S	*	7/2002	Niedospial, Jr.	D24/130
D471,272	S	*	3/2003	Douglas et al.	D24/108
D474,839	S	*	5/2003	Francavilla et al.	D24/129
6,997,916	B2	*	2/2006	Simas et al.	604/411
D543,278	S	*	5/2007	Numata et al.	D24/130
D551,550	S	*	9/2007	Noonan	D9/454

D602,128	S	*	10/2009	Williams et al.	D24/127
D625,004	S	*	10/2010	McGrady et al.	D24/129
D636,489	S	*	4/2011	D'Agostino et al.	D24/130
D677,794	S	*	3/2013	Prpa	D24/186

* cited by examiner

Primary Examiner — David Muller

(74) *Attorney, Agent, or Firm* — McHale & Slavin, P.A.

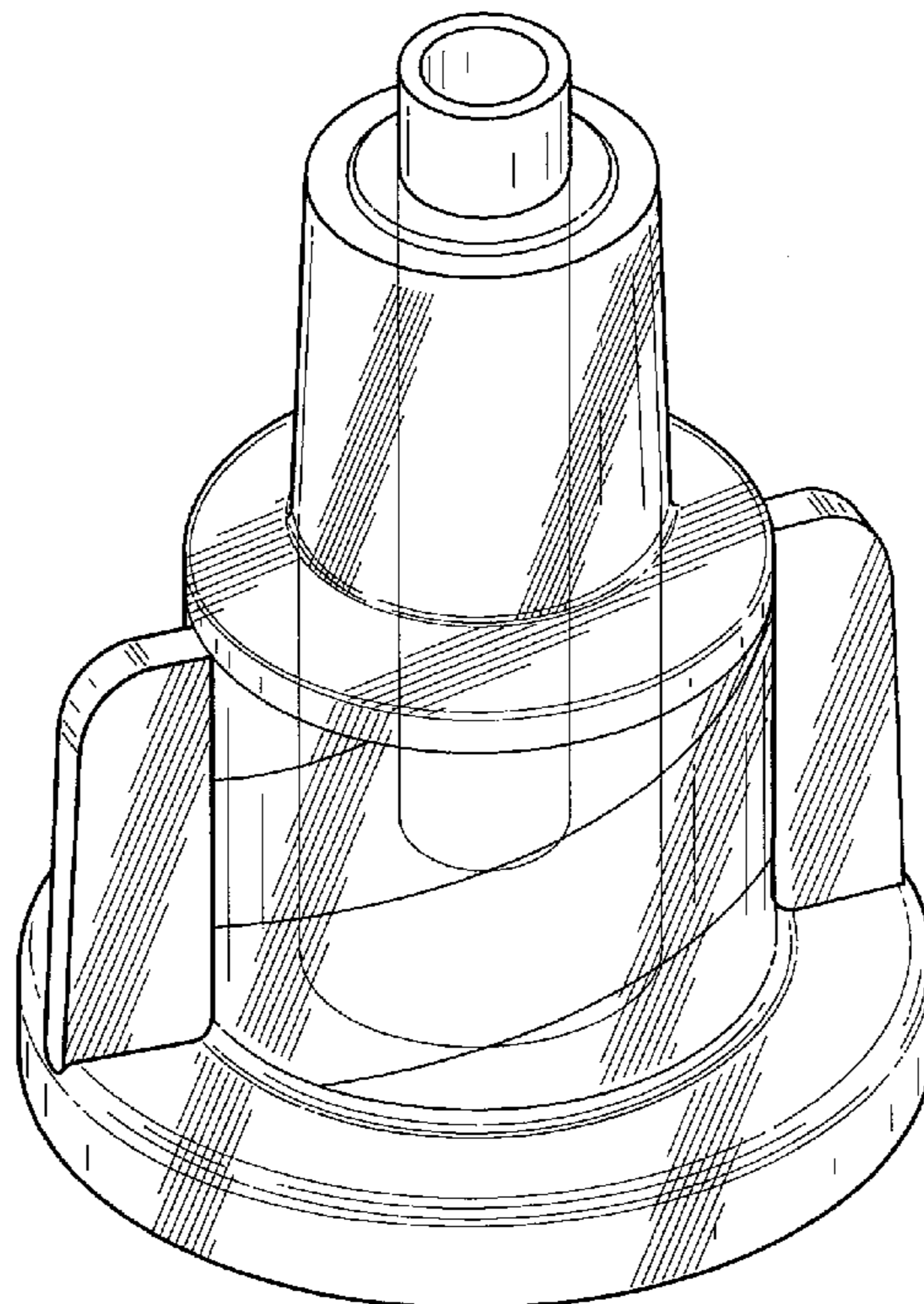
(57) **CLAIM**

The ornamental design for a syringe connection hub, as shown and described.

DESCRIPTION

FIG. 1 is a perspective view of the syringe connection hub of the instant invention;
FIG. 2 is a front view thereof, the back view (not shown) forming a mirror image thereof;
FIG. 3 is a left side view thereof, the right side view (not shown) forming a mirror image thereof;
FIG. 4 is a top view thereof;
FIG. 5 is a bottom view thereof;
FIG. 6 is a cross sectional view taken along line 6-6 of FIG. 5; and,
FIG. 7 is a perspective view of the syringe connection hub of the instant invention attached to a syringe and needle.
The portions of the figures shown in broken lines illustrate unclaimed portions of the syringe connection hub and form no part of the claimed design.

1 Claim, 7 Drawing Sheets



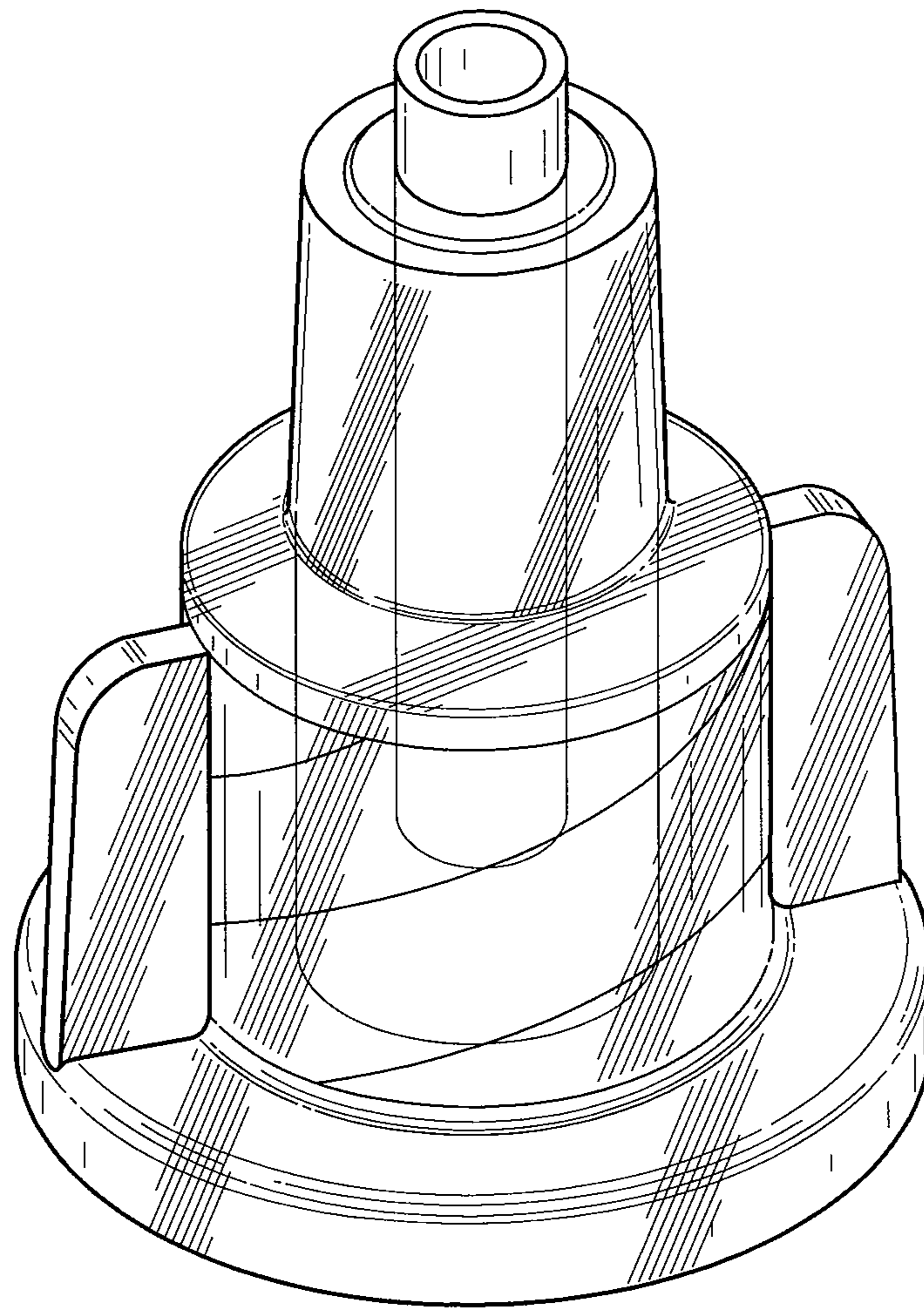


FIG. 1

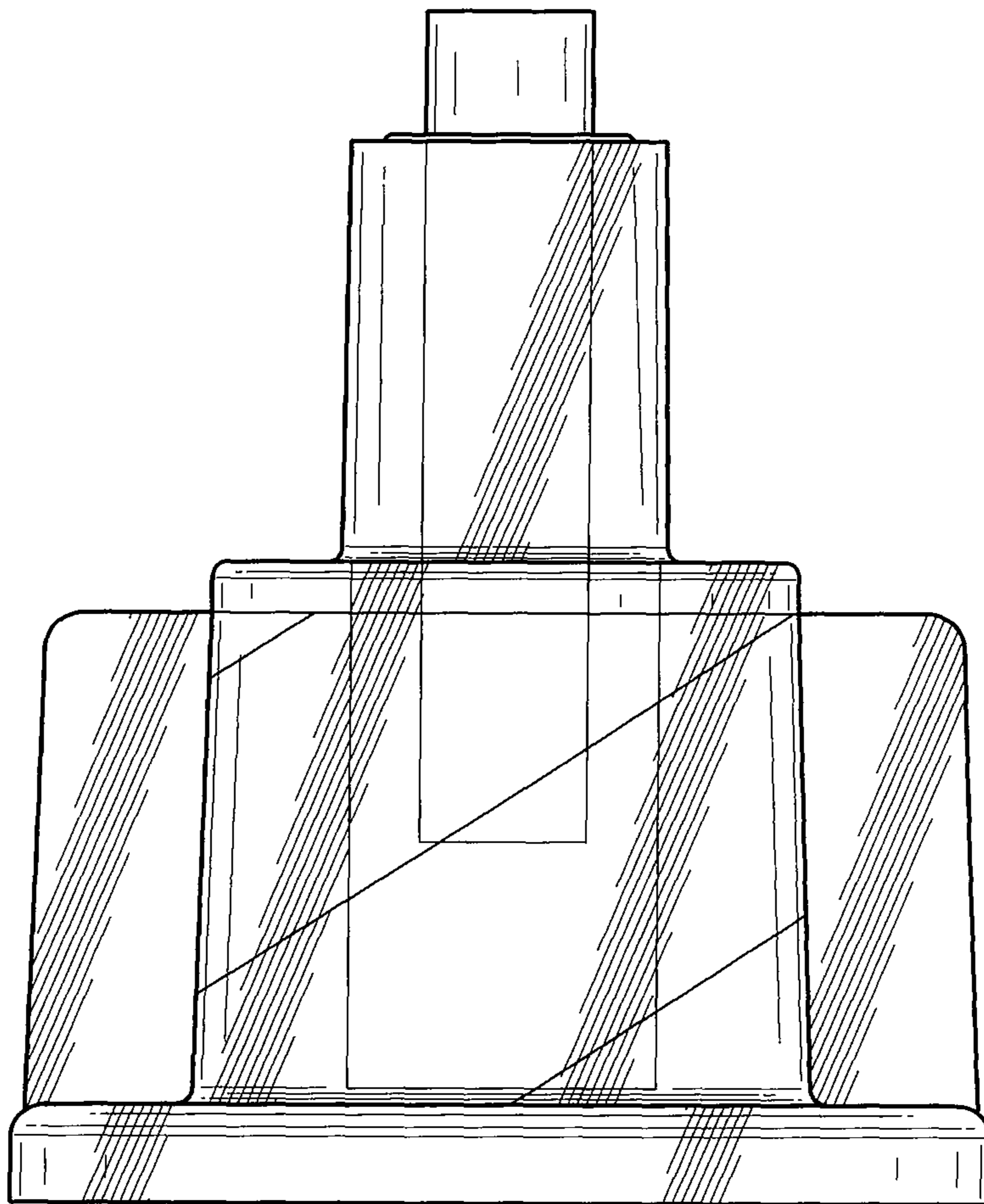


FIG. 2

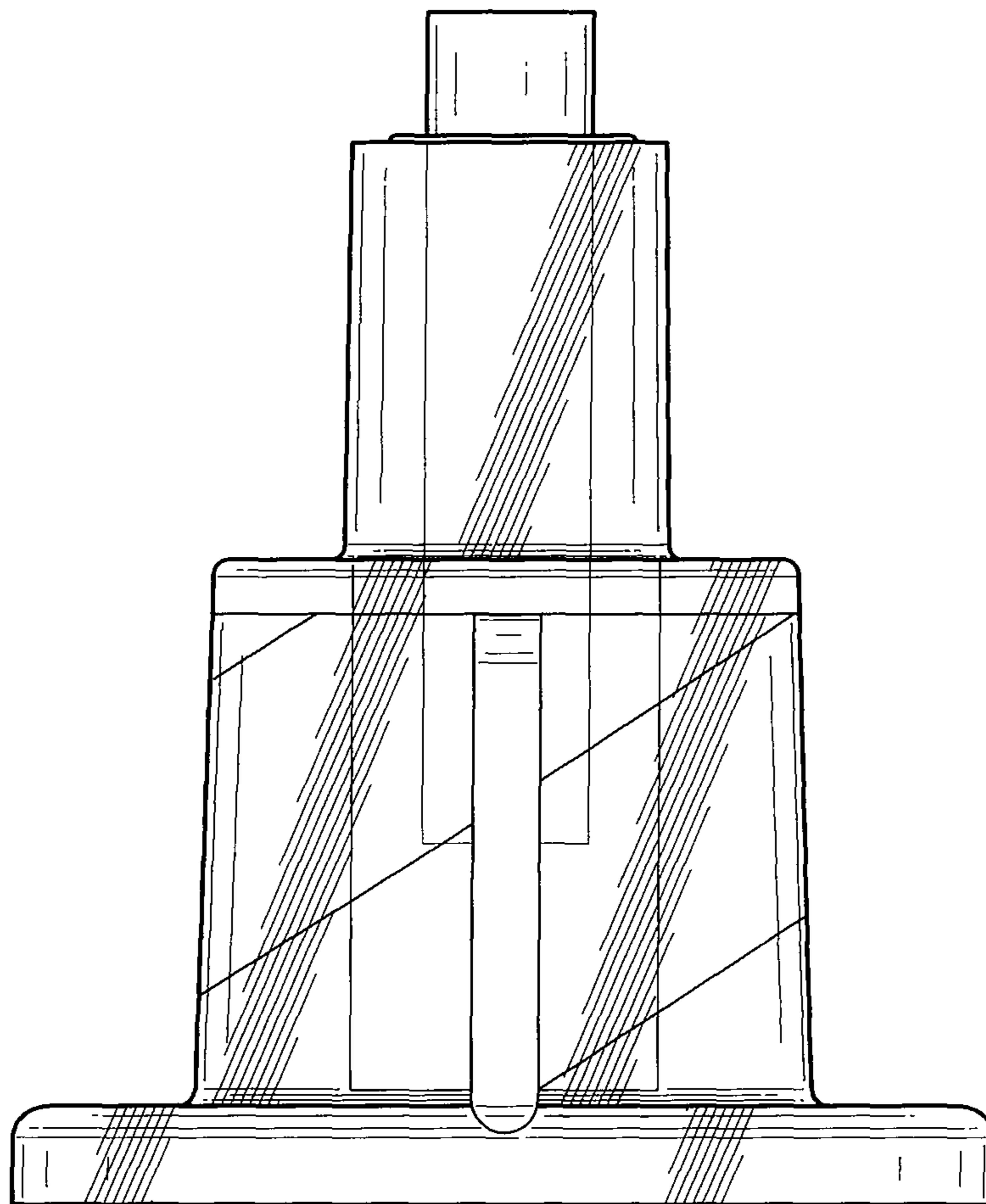


FIG. 3

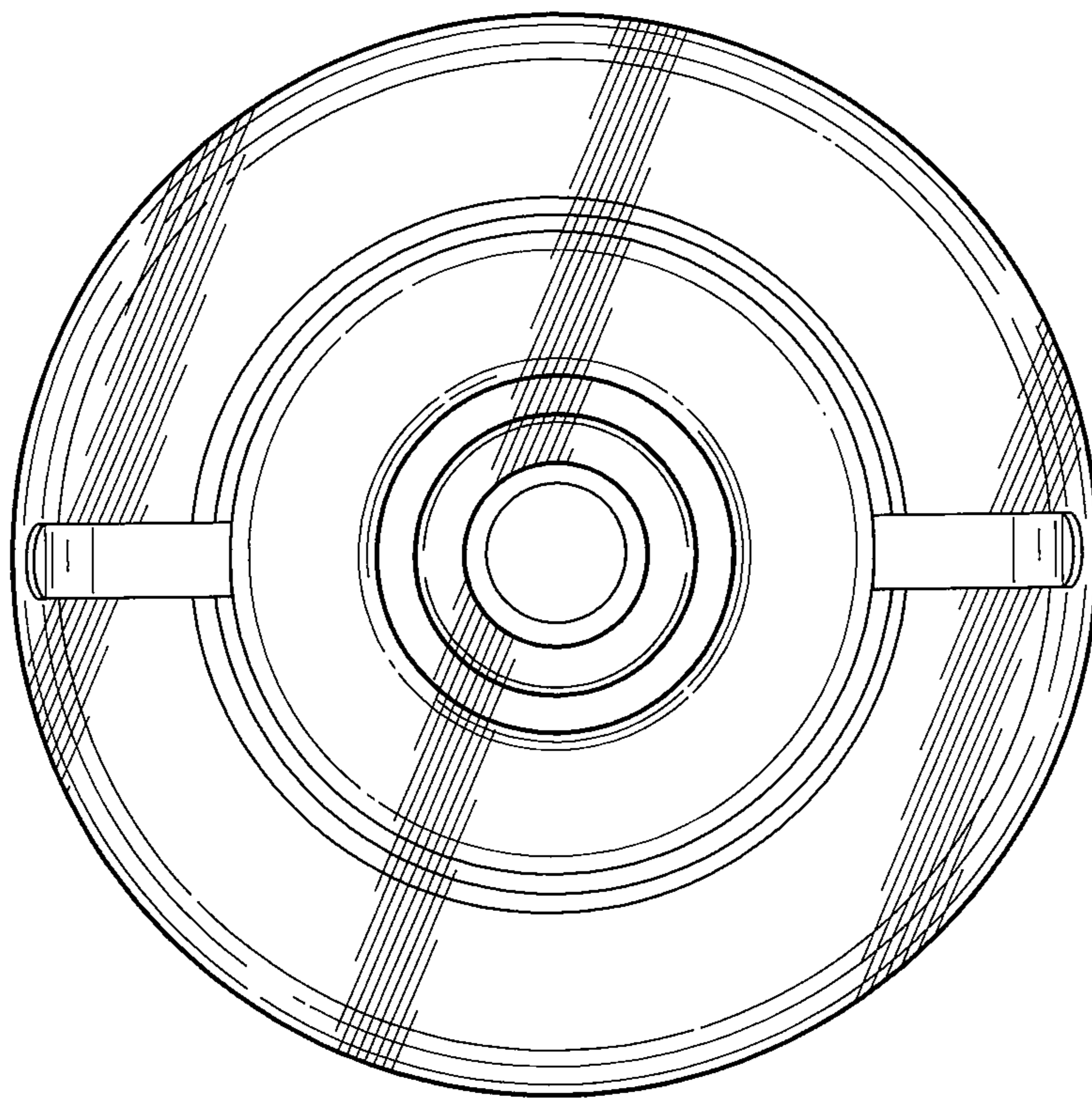


FIG. 4

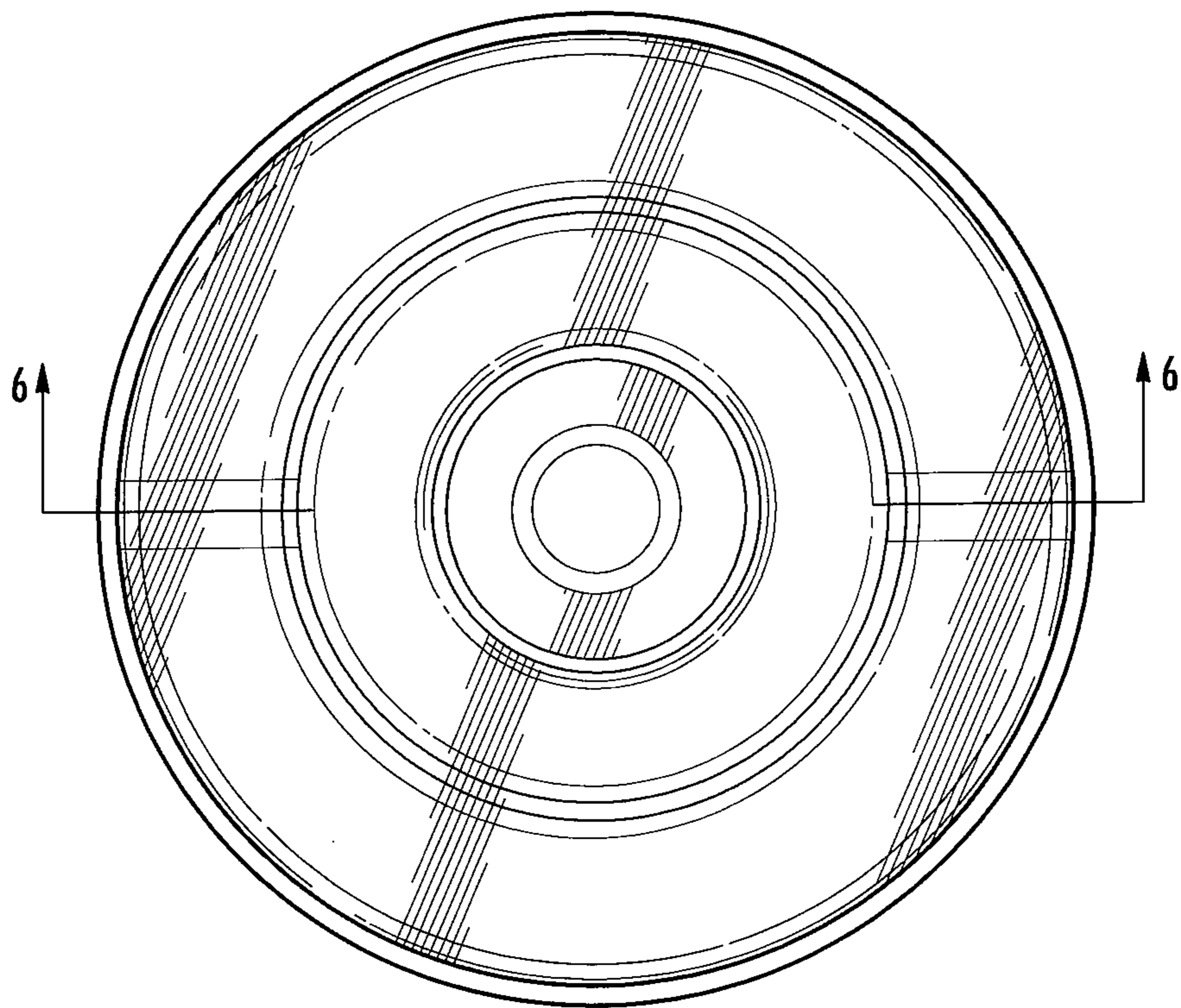


FIG. 5

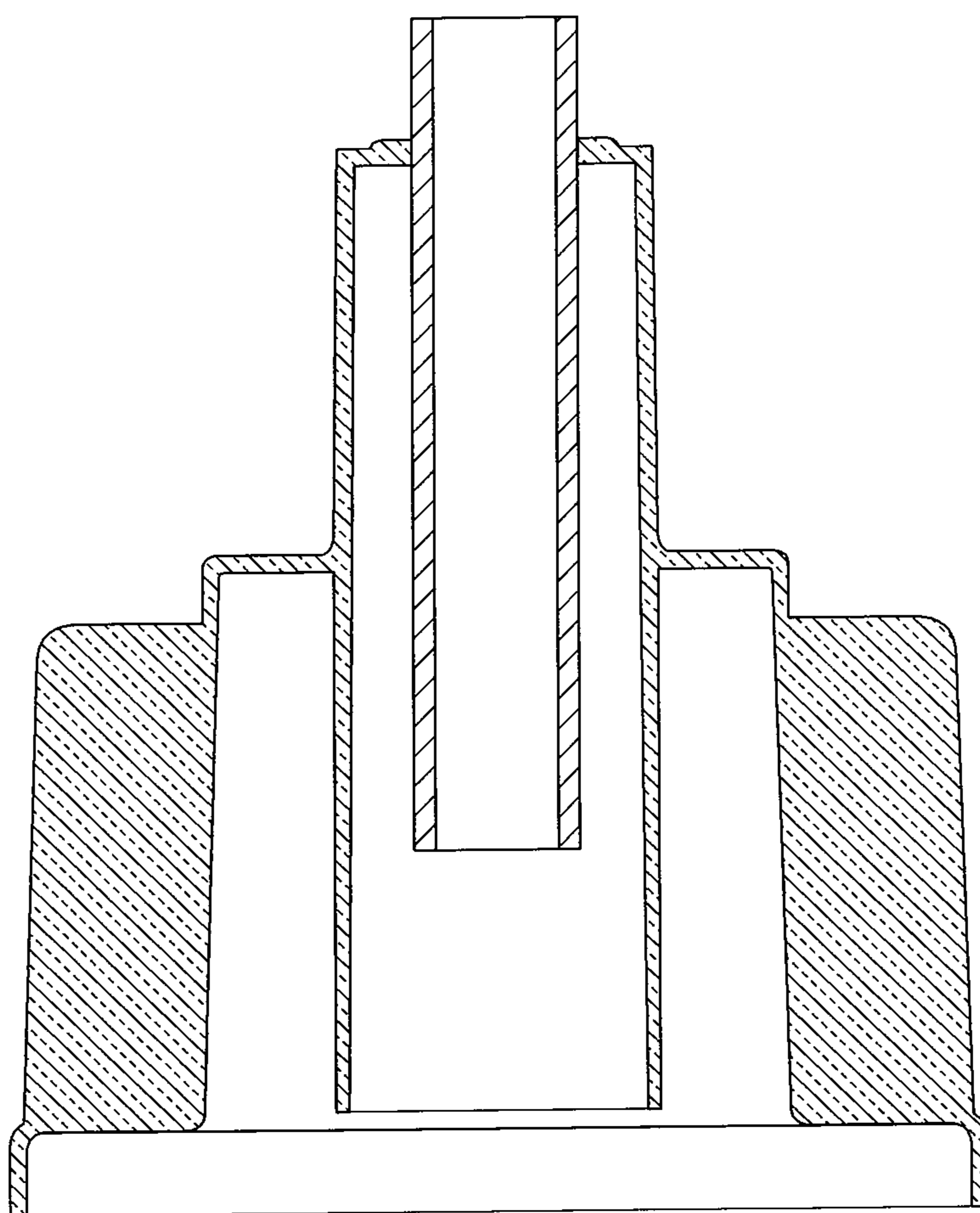


FIG. 6

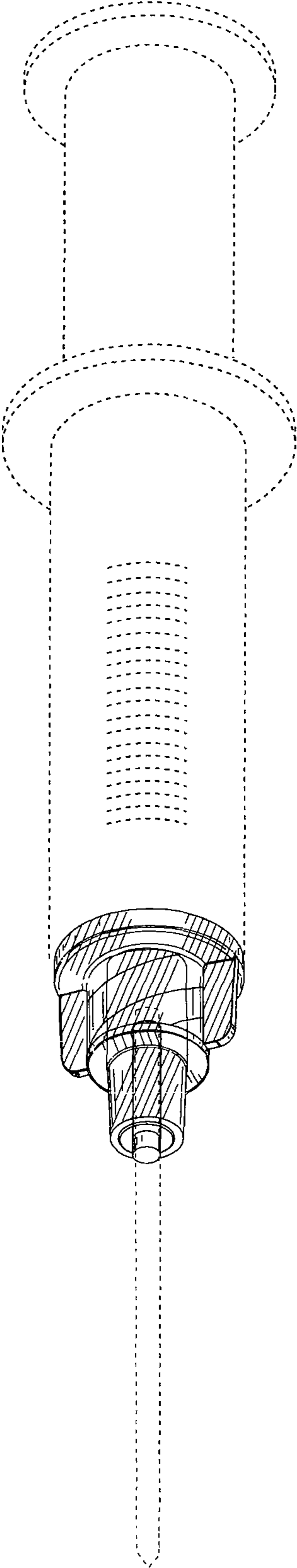


FIG. 7