

US00D720451S

(12) **United States Design Patent**
Denenburg et al.

(10) **Patent No.:** **US D720,451 S**

(45) **Date of Patent:** **** Dec. 30, 2014**

(54) **LIQUID DRUG TRANSFER ASSEMBLY**

3,826,261 A	7/1974	Killinger
3,872,992 A	3/1975	Larson
3,885,607 A	5/1975	Peltier
3,938,520 A	2/1976	Scislowicz et al.
3,957,052 A	5/1976	Topham
3,977,555 A	8/1976	Larson

(75) Inventors: **Igor Denenburg**, Gedera (IL);
Mordechai Bukhman, Netanya (IL)

(73) Assignee: **MEDIMOP Medical Projects Ltd.**,
Ra'anana (IL)

(Continued)

(**) Term: **14 Years**

FOREIGN PATENT DOCUMENTS

(21) Appl. No.: **29/413,215**

CN	1950049 A	4/2007
DE	1913926 A1	9/1970

(Continued)

(22) Filed: **Feb. 13, 2012**

OTHER PUBLICATIONS

(51) **LOC (10) Cl.** **24-02**

(52) **U.S. Cl.**
USPC **D24/129**

International Search Report Issued Jan. 23, 2007 in Int'l Application
No. PCT/IL/2006/001228.

(58) **Field of Classification Search**

CPC A61J 1/2089; A61J 2001/2013; A61J
2001/2086; A61J 2001/2055; B65D 81/3211;
A61M 2207/00

USPC D24/112, 129, 130, 224; 604/405, 414,
604/519, 520, 410, 87, 412; 141/329, 330,
141/383, 386

(Continued)

See application file for complete search history.

Primary Examiner — Deanna L Pratt
Assistant Examiner — Ieisha Price
(74) *Attorney, Agent, or Firm* — Panitch Schwarze Belisario
& Nadel LLP

(56) **References Cited**

(57) **CLAIM**
The ornamental design for a liquid drug transfer assembly, as
shown and described.

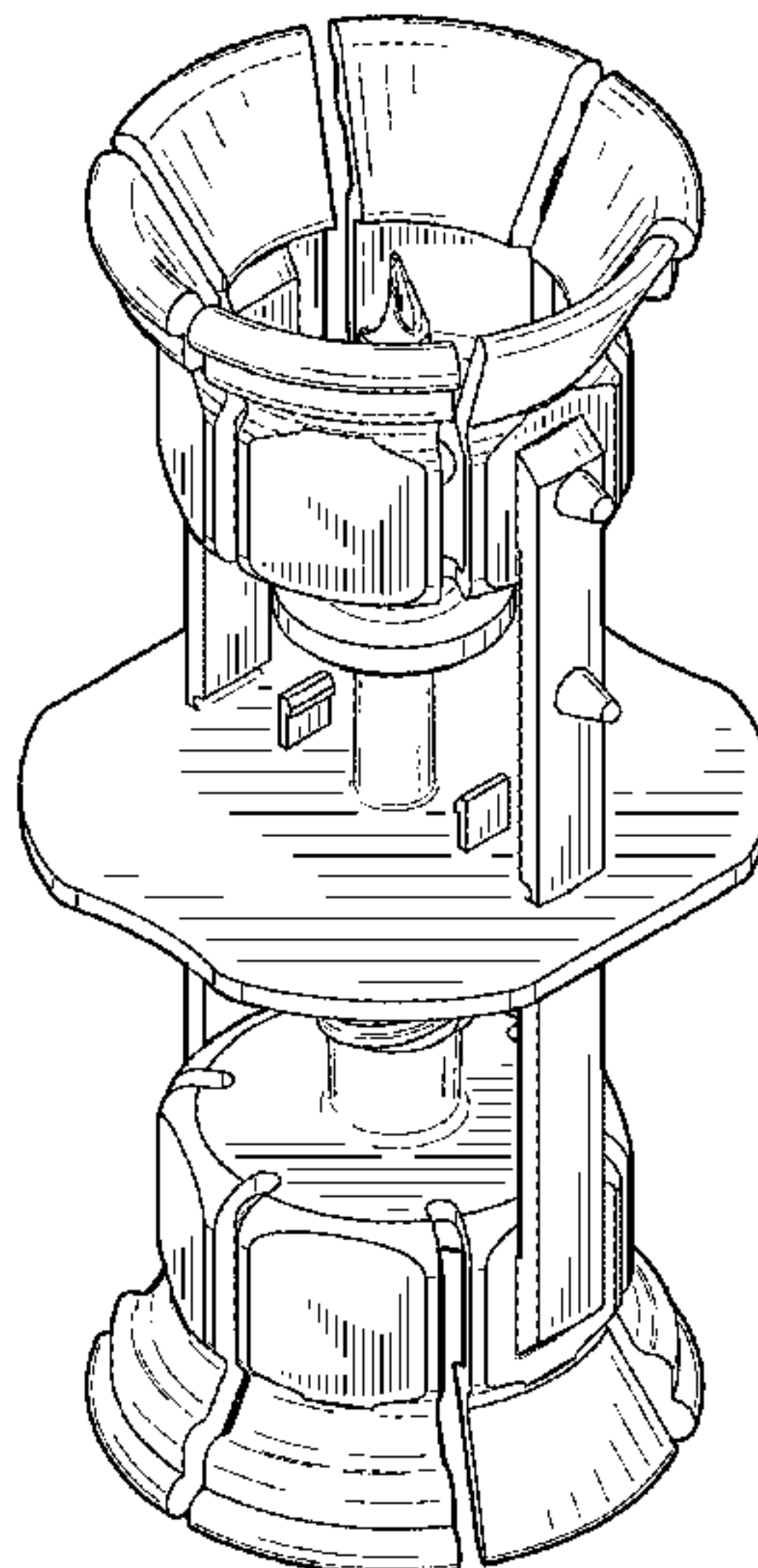
U.S. PATENT DOCUMENTS

62,333 A	2/1867	Holl
1,021,681 A	3/1912	Jennings
1,704,817 A	3/1929	Ayers
1,930,944 A	10/1933	Schmitz, Jr.
2,326,490 A	8/1943	Perelson
2,931,668 A	4/1960	Baley
2,968,497 A	1/1961	Treleman
3,059,643 A	10/1962	Barton
D198,499 S	6/1964	Harautunelan
3,484,849 A	12/1969	Huebner et al.
3,618,637 A	11/1971	Santomieri
3,757,981 A	9/1973	Harris, Sr. et al.
3,788,524 A	1/1974	Davis et al.
3,822,700 A	7/1974	Pennington

DESCRIPTION

FIG. 1 is a perspective view of a liquid drug transfer assembly
in accordance with a preferred embodiment of our new
design;
FIG. 2 is a left side elevation view thereof;
FIG. 3 is a front elevation view thereof;
FIG. 4 is a right side elevation view thereof;
FIG. 5 is a rear elevation view thereof;
FIG. 6 is a top plan view thereof; and,
FIG. 7 is a bottom plan view thereof.

1 Claim, 4 Drawing Sheets



(56)

References Cited

U.S. PATENT DOCUMENTS

3,993,063 A	11/1976	Larrabee	5,041,105 A	8/1991	D'Alo et al.
4,020,839 A	5/1977	Klapp	5,045,066 A	9/1991	Scheuble et al.
4,051,852 A	10/1977	Villari	5,049,129 A	9/1991	Zdeb et al.
4,109,670 A	8/1978	Slagel	5,053,015 A	10/1991	Gross
4,121,585 A	10/1978	Becker, Jr.	5,061,248 A	10/1991	Sacco
4,161,178 A	7/1979	Genese	5,088,996 A	2/1992	Kopfer et al.
4,187,848 A	2/1980	Taylor	5,096,575 A	3/1992	Cosack
4,203,067 A	5/1980	Fitzky et al.	5,104,387 A	4/1992	Pokorney et al.
4,203,443 A	5/1980	Genese	5,113,904 A	5/1992	Aslanian
4,210,173 A	7/1980	Choksi et al.	5,122,124 A	6/1992	Novacek et al.
D257,286 S	10/1980	Folkman	5,125,908 A	6/1992	Cohen
4,253,501 A	3/1981	Ogle	5,125,915 A	6/1992	Berry et al.
4,296,786 A	10/1981	Brignola	D328,788 S	8/1992	Sagae et al.
4,303,067 A	12/1981	Connolly et al.	5,171,230 A	12/1992	Eland et al.
4,312,349 A	1/1982	Cohen	5,201,705 A	4/1993	Berglund et al.
4,314,586 A	2/1982	Folkman	5,201,717 A	4/1993	Wyatt et al.
4,328,802 A	5/1982	Curley et al.	5,203,771 A	4/1993	Melker et al.
4,335,717 A	6/1982	Bujan et al.	5,203,775 A	4/1993	Frank et al.
D267,199 S	12/1982	Koenig	5,211,638 A	5/1993	Dudar et al.
4,376,634 A	3/1983	Prior et al.	5,232,029 A	8/1993	Knox et al.
D268,871 S	5/1983	Benham et al.	5,232,109 A	8/1993	Tirrell et al.
4,392,850 A	7/1983	Elias et al.	5,242,432 A	9/1993	DeFrank
4,410,321 A	10/1983	Pearson et al.	5,247,972 A	9/1993	Tetreault
4,411,662 A	10/1983	Pearson	D341,420 S	11/1993	Conn
D271,421 S	11/1983	Fetterman	5,269,768 A	12/1993	Cheung
4,434,823 A	3/1984	Hudspith	5,270,219 A	12/1993	DeCastro et al.
4,465,471 A	8/1984	Harris et al.	5,279,576 A	1/1994	Loo et al.
4,475,915 A	10/1984	Sloane	5,288,290 A	2/1994	Brody
4,493,348 A	1/1985	Lemmons	5,300,034 A	4/1994	Behnke et al.
4,505,709 A	3/1985	Froning et al.	5,301,685 A	4/1994	Guirguis
4,507,113 A	3/1985	Dunlap	5,304,163 A	4/1994	Bonnici et al.
D280,018 S	8/1985	Scott	5,308,483 A	5/1994	Sklar et al.
4,532,969 A	8/1985	Kwaan	5,312,377 A	5/1994	Dalton
4,564,054 A	1/1986	Gustavsson	5,328,474 A	7/1994	Raines
4,573,993 A	3/1986	Hoag et al.	D349,648 S	8/1994	Tirrell et al.
4,576,211 A	3/1986	Valentini et al.	5,334,163 A	8/1994	Sinnett
4,581,014 A	4/1986	Millerd et al.	5,334,179 A	8/1994	Poli et al.
4,588,396 A	5/1986	Stroebel et al.	5,342,346 A	8/1994	Honda et al.
4,588,403 A	5/1986	Weiss et al.	5,344,417 A	9/1994	Wadsworth, Jr.
D284,603 S	7/1986	Loignon	5,350,372 A	9/1994	Ikeda et al.
4,604,093 A	8/1986	Brown et al.	5,364,386 A	11/1994	Fukuoka et al.
4,607,671 A	8/1986	Aalto et al.	5,364,387 A	11/1994	Sweeney
4,614,437 A	9/1986	Buehler	5,374,264 A	12/1994	Wadsworth, Jr.
4,638,975 A	1/1987	Iuchi et al.	5,385,547 A	1/1995	Wong et al.
4,639,019 A	1/1987	Mittleman	5,397,303 A	3/1995	Sancoff et al.
4,667,927 A	5/1987	Oscarsson	5,429,614 A	7/1995	Fowles et al.
4,676,530 A	6/1987	Nordgren et al.	5,433,330 A	7/1995	Yatsko et al.
4,683,975 A	8/1987	Booth et al.	5,445,630 A	8/1995	Richmond
4,697,622 A	10/1987	Swift et al.	5,445,631 A	8/1995	Uchida
4,721,133 A	1/1988	Sundblom	5,451,374 A	9/1995	Molina
4,729,401 A	3/1988	Raines	5,454,805 A	10/1995	Brony
4,735,608 A	4/1988	Sardam	5,464,111 A	11/1995	Vacek et al.
4,743,229 A	5/1988	Chu	5,464,123 A	11/1995	Scarrow
4,743,243 A	5/1988	Vaillancourt	5,466,219 A	11/1995	Lynn et al.
4,752,292 A	6/1988	Lopez et al.	5,466,220 A	11/1995	Brenneman
4,758,235 A	7/1988	Tu	5,470,327 A	11/1995	Helgren et al.
4,759,756 A	7/1988	Forman et al.	5,471,994 A	12/1995	Guirguis
4,778,447 A	10/1988	Velde et al.	5,472,022 A	12/1995	Michel et al.
4,787,898 A	11/1988	Raines	5,478,337 A	12/1995	Okamoto et al.
4,797,898 A	1/1989	Martinez	5,492,147 A	2/1996	Challender et al.
4,804,366 A	2/1989	Zdeb et al.	D369,406 S	4/1996	Niedospial et al.
4,832,690 A	5/1989	Kuu	5,505,714 A	4/1996	Dassa et al.
4,834,152 A	5/1989	Howson et al.	5,509,433 A	4/1996	Paradis
4,857,062 A	8/1989	Russell	5,520,659 A	5/1996	Hedges
4,865,592 A	9/1989	Rycroft	5,526,853 A	6/1996	McPhee et al.
4,898,209 A	2/1990	Zbed	5,527,306 A	6/1996	Haining
4,909,290 A	3/1990	Coccia	5,531,695 A	7/1996	Swisher
4,931,040 A	6/1990	Haber et al.	5,547,471 A	8/1996	Thompson et al.
4,932,944 A	6/1990	Jagger et al.	5,549,577 A	8/1996	Siegel et al.
4,967,797 A	11/1990	Manska	5,554,128 A	9/1996	Hedges
D314,050 S	1/1991	Sone	5,566,729 A	10/1996	Grabenkort et al.
D314,622 S	2/1991	Andersson et al.	5,569,191 A	10/1996	Meyer
4,997,430 A	3/1991	Van der Heiden et al.	5,573,281 A	11/1996	Keller
5,006,114 A	4/1991	Rogers et al.	5,578,015 A	11/1996	Robb
5,035,686 A	7/1991	Crittenden et al.	5,583,052 A	12/1996	Portnoff et al.
			5,584,819 A	12/1996	Kopfer
			5,591,143 A	1/1997	Trombley, III et al.
			5,603,706 A	2/1997	Wyatt et al.
			5,607,439 A	3/1997	Yoon

(56)

References Cited

U.S. PATENT DOCUMENTS

5,611,576 A	3/1997	Guala	6,080,132 A	6/2000	Cole et al.
5,616,203 A	4/1997	Stevens	6,086,762 A	7/2000	Guala
5,636,660 A	6/1997	Pfleiderer et al.	6,089,541 A	7/2000	Weinheimer et al.
5,637,101 A	6/1997	Shillington	6,090,091 A	7/2000	Fowles et al.
5,641,010 A	6/1997	Maier	6,090,093 A	7/2000	Thibault et al.
5,645,538 A	7/1997	Richmond	6,099,511 A	8/2000	Devos et al.
5,647,845 A	7/1997	Haber et al.	6,113,068 A	9/2000	Ryan
5,651,776 A	7/1997	Appling et al.	6,113,583 A	9/2000	Fowles et al.
5,653,686 A	8/1997	Coulter et al.	6,117,114 A	9/2000	Paradis
5,674,195 A	10/1997	Truthan	6,139,534 A	10/2000	Niedospial, Jr. et al.
5,676,346 A	10/1997	Leinsing	6,142,446 A	11/2000	Leinsing
5,685,845 A	11/1997	Grimard	6,146,362 A	11/2000	Turnbull et al.
5,699,821 A	12/1997	Paradis	6,149,623 A	11/2000	Reynolds
5,702,019 A	12/1997	Grimard	6,156,025 A	12/2000	Niedospial, Jr. et al.
5,718,346 A	2/1998	Weiler	6,159,192 A	12/2000	Fowles et al.
D393,722 S	4/1998	Fangrow, Jr. et al.	6,168,037 B1	1/2001	Grimard
5,738,144 A	4/1998	Rogers	6,171,287 B1	1/2001	Lynn et al.
5,743,312 A	4/1998	Pfeifer et al.	6,171,293 B1	1/2001	Rowley et al.
5,746,733 A	5/1998	Capaccio et al.	6,173,852 B1	1/2001	Browne
5,755,696 A	5/1998	Caizza	6,174,304 B1	1/2001	Weston
5,766,211 A	6/1998	Wood et al.	6,179,822 B1	1/2001	Niedospial, Jr.
5,772,630 A	6/1998	Ljungquist	6,179,823 B1	1/2001	Niedospial, Jr.
5,772,652 A	6/1998	Zielinski	6,206,861 B1	3/2001	Mayer
RE35,841 E	7/1998	Frank et al.	6,221,041 B1	4/2001	Russo
5,776,116 A	7/1998	Lopez et al.	6,221,054 B1	4/2001	Martin et al.
5,782,872 A	7/1998	Muller	6,221,065 B1	4/2001	Davis
5,806,831 A	9/1998	Paradis	6,238,372 B1	5/2001	Zinger et al.
5,810,792 A	9/1998	Fangrow, Jr. et al.	6,245,044 B1	6/2001	Daw et al.
D399,559 S	10/1998	Molina	D445,501 S	7/2001	Niedospial, Jr.
5,817,082 A	10/1998	Niedospial, Jr. et al.	D445,895 S	7/2001	Svendsen
5,820,621 A	10/1998	Yale et al.	6,253,804 B1	7/2001	Safabash
5,827,262 A	10/1998	Neftel et al.	6,258,078 B1	7/2001	Thilly
5,832,971 A	11/1998	Yale et al.	6,280,430 B1	8/2001	Neftel et al.
5,833,213 A	11/1998	Ryan	6,290,688 B1	9/2001	Lopez et al.
5,834,744 A	11/1998	Risman	6,296,621 B1	10/2001	Masuda et al.
5,839,715 A	11/1998	Leinsing	6,299,131 B1	10/2001	Ryan
5,853,406 A	12/1998	Masuda et al.	6,343,629 B1	2/2002	Wessman et al.
5,871,110 A	2/1999	Grimard et al.	6,348,044 B1	2/2002	Coletti et al.
5,873,872 A	2/1999	Thibault et al.	6,358,236 B1	3/2002	DeFoggi et al.
5,879,337 A	3/1999	Kuracina et al.	6,364,866 B1	4/2002	Furr et al.
5,879,345 A	3/1999	Aneas	6,378,576 B2	4/2002	Thibault et al.
5,887,633 A	3/1999	Yale et al.	6,378,714 B1	4/2002	Jansen et al.
5,890,610 A	4/1999	Jansen et al.	6,379,340 B1	4/2002	Zinger et al.
5,891,129 A	4/1999	Daubert et al.	6,382,442 B1	5/2002	Thibault et al.
5,893,397 A	4/1999	Peterson et al.	6,408,897 B1	6/2002	Laurent et al.
5,897,526 A	4/1999	Vaillancourt	6,409,708 B1	6/2002	Wessman
5,899,468 A	5/1999	Apps et al.	6,440,107 B1	8/2002	Trombley, III et al.
5,902,280 A	5/1999	Powles et al.	6,453,949 B1	9/2002	Chau
5,902,298 A	5/1999	Niedospial, Jr. et al.	6,453,956 B2	9/2002	Safabash
D410,740 S	6/1999	Molina	6,474,375 B2	11/2002	Spero et al.
5,911,710 A	6/1999	Barry et al.	6,478,788 B1	11/2002	Aneas
5,919,182 A	7/1999	Avallone	D468,015 S	12/2002	Horppu
5,921,419 A	7/1999	Niedospial, Jr. et al.	6,499,617 B1	12/2002	Niedospial, Jr. et al.
5,924,584 A	7/1999	Hellstrom et al.	6,503,240 B1	1/2003	Niedospial, Jr. et al.
5,925,029 A	7/1999	Jansen et al.	6,503,244 B2	1/2003	Hayman
5,935,112 A	8/1999	Stevens et al.	6,520,932 B2	2/2003	Taylor
5,941,848 A	8/1999	Nishimoto et al.	6,524,278 B1	2/2003	Campbell et al.
5,944,700 A	8/1999	Nguyen et al.	6,524,295 B2	2/2003	Daubert et al.
5,954,104 A	9/1999	Daubert et al.	D472,316 S	3/2003	Douglas et al.
5,971,181 A	10/1999	Niedospial, Jr. et al.	6,530,903 B2	3/2003	Wang et al.
5,971,965 A	10/1999	Mayer	6,537,263 B1	3/2003	Aneas
5,989,237 A	11/1999	Fowles et al.	D472,630 S	4/2003	Douglas et al.
6,003,566 A	12/1999	Thibault et al.	6,544,246 B1	4/2003	Niedospial, Jr.
6,004,278 A	12/1999	Botich et al.	6,551,299 B2	4/2003	Miyoshi et al.
6,019,750 A	2/2000	Fowles et al.	6,558,365 B2	5/2003	Zinger et al.
6,022,339 A	2/2000	Fowles et al.	6,571,837 B2	6/2003	Jansen et al.
6,036,171 A	3/2000	Weinheimer et al.	6,572,591 B2	6/2003	Mayer
6,039,093 A	3/2000	Mrotzek et al.	6,575,955 B2	6/2003	Azzolini
6,039,302 A	3/2000	Cote, Sr. et al.	6,581,593 B1	6/2003	Rubin et al.
D422,357 S	4/2000	Niedospial, Jr. et al.	6,582,415 B1	6/2003	Fowles et al.
6,063,068 A	5/2000	Fowles et al.	6,591,876 B2	7/2003	Safabash
D427,308 S	6/2000	Zinger	6,599,273 B1	7/2003	Lopez
D427,309 S	6/2000	Molina	6,601,721 B2	8/2003	Jansen et al.
6,070,623 A	6/2000	Aneas	6,626,309 B1	9/2003	Jansen et al.
6,071,270 A	6/2000	Fowles et al.	6,638,244 B1	10/2003	Reynolds
			D482,121 S	11/2003	Harding et al.
			D482,447 S	11/2003	Harding et al.
			6,651,956 B2	11/2003	Miller
			6,652,509 B1	11/2003	Helgren et al.

(56)

References Cited

U.S. PATENT DOCUMENTS

D483,487 S	12/2003	Harding et al.	7,611,487 B2	11/2009	Woehr et al.
D483,869 S	12/2003	Tran et al.	7,611,502 B2	11/2009	Daly
6,656,433 B2	12/2003	Sasso	7,615,041 B2	11/2009	Sullivan et al.
6,666,852 B2	12/2003	Niedospial, Jr.	7,628,779 B2	12/2009	Aneas
6,681,810 B2	1/2004	Weston	7,632,261 B2	12/2009	Zinger et al.
6,681,946 B1	1/2004	Jansen et al.	D608,900 S	1/2010	Giraud et al.
6,682,509 B2	1/2004	Lopez	7,654,995 B2	2/2010	Warren et al.
6,692,478 B1	2/2004	Paradis	7,670,326 B2	3/2010	Shemesh
6,692,829 B2	2/2004	Stubler et al.	7,695,445 B2	4/2010	Yuki
6,695,829 B2	2/2004	Hellstrom et al.	D616,090 S	5/2010	Kawamura
6,699,229 B2	3/2004	Zinger et al.	7,713,247 B2	5/2010	Lopez
6,706,022 B1	3/2004	Leinsing et al.	7,717,886 B2	5/2010	Lopez
6,706,031 B2	3/2004	Manera	7,722,090 B2	5/2010	Burton et al.
6,715,520 B2	4/2004	Andreasson	D616,984 S	6/2010	Gilboa
6,729,370 B2	5/2004	Norton et al.	7,731,678 B2	6/2010	Tennican et al.
6,736,798 B2	5/2004	Ohkubo et al.	7,743,799 B2	6/2010	Mosler et al.
6,745,998 B2	6/2004	Doyle	7,744,581 B2	6/2010	Wallen et al.
6,746,438 B1	6/2004	Arnisolle	7,758,082 B2	7/2010	Weigel et al.
6,752,180 B2	6/2004	Delay	7,762,524 B2	7/2010	Cawthon et al.
D495,416 S	8/2004	Dimeo et al.	7,766,304 B2	8/2010	Phillips
D496,457 S	9/2004	Prais et al.	7,771,383 B2	8/2010	Truitt et al.
6,802,490 B2	10/2004	Leinsing et al.	7,799,009 B2	9/2010	Niedospial, Jr. et al.
6,832,994 B2	12/2004	Niedospial, Jr. et al.	7,803,140 B2	9/2010	Fangrow, Jr.
6,852,103 B2	2/2005	Fowles et al.	D627,216 S	11/2010	Fulginiti
6,875,203 B1	4/2005	Fowles et al.	D630,732 S	1/2011	Lev et al.
6,875,205 B2	4/2005	Leinsing	7,867,215 B2	1/2011	Akerlund et al.
6,878,131 B2	4/2005	Novacek et al.	7,879,018 B2	2/2011	Zinger et al.
6,890,328 B2	5/2005	Fowles et al.	D634,007 S	3/2011	Zinger et al.
D506,256 S	6/2005	Miyoshi et al.	7,900,659 B2	3/2011	Whitley et al.
6,901,975 B2	6/2005	Aramata et al.	D637,713 S	5/2011	Nord et al.
6,945,417 B2	9/2005	Jansen et al.	7,985,216 B2	7/2011	Daily et al.
6,948,522 B2	9/2005	Newbrough et al.	D644,104 S	8/2011	Maeda et al.
6,949,086 B2	9/2005	Ferguson et al.	7,993,328 B2	8/2011	Whitley
6,957,745 B2	10/2005	Thibault et al.	8,012,132 B2	9/2011	Lum et al.
RE38,996 E	2/2006	Crawford et al.	8,016,809 B2	9/2011	Zinger et al.
6,994,315 B2	2/2006	Ryan et al.	8,021,325 B2	9/2011	Zinger et al.
6,997,916 B2	2/2006	Simas, Jr. et al.	8,025,653 B2	9/2011	Capitaine et al.
6,997,917 B2	2/2006	Niedospial, Jr. et al.	8,029,472 B2	10/2011	Leinsing et al.
7,024,968 B2	4/2006	Raudabough et al.	8,038,123 B2	10/2011	Ruschke et al.
7,070,589 B2	7/2006	Lolachi et al.	8,070,739 B2	12/2011	Zinger et al.
7,074,216 B2	7/2006	Fowles et al.	8,075,550 B2	12/2011	Nord et al.
7,083,600 B2	8/2006	Meloul	8,096,525 B2	1/2012	Ryan
7,086,431 B2	8/2006	D'Antonio et al.	8,105,314 B2	1/2012	Fangrow, Jr.
7,100,890 B2	9/2006	Cote, Sr. et al.	D655,017 S	2/2012	Mosler et al.
7,140,401 B2	11/2006	Wilcox et al.	8,122,923 B2	2/2012	Kraus et al.
7,150,735 B2	12/2006	Hickle	8,123,736 B2	2/2012	Kraushaar et al.
7,192,423 B2	3/2007	Wong	D655,071 S	3/2012	Davila
7,195,623 B2	3/2007	Burroughs et al.	8,157,784 B2	4/2012	Rogers
7,241,285 B1	7/2007	Dikeman	8,167,863 B2	5/2012	Yow
7,294,122 B2	11/2007	Kubo et al.	8,172,824 B2	5/2012	Pfeifer et al.
7,306,199 B2	12/2007	Leinsing et al.	8,177,768 B2	5/2012	Leinsing
D561,348 S	2/2008	Zinger et al.	8,182,452 B2	5/2012	Mansour et al.
7,326,188 B1	2/2008	Russell et al.	8,187,248 B2	5/2012	Zihlmann
7,326,194 B2	2/2008	Zinger et al.	8,196,614 B2	6/2012	Kriheli
7,350,764 B2	4/2008	Raybuck	8,197,459 B2	6/2012	Jansen et al.
7,354,422 B2	4/2008	Riesenberger et al.	8,211,069 B2	7/2012	Fangrow, Jr.
7,354,427 B2	4/2008	Fangrow	8,225,959 B2	7/2012	Lambrecht
7,425,209 B2	9/2008	Fowles et al.	8,241,268 B2	8/2012	Whitley
7,435,246 B2	10/2008	Zihlmann	8,262,628 B2	9/2012	Fangrow, Jr.
7,452,348 B2	11/2008	Hasegawa	8,262,641 B2	9/2012	Vedrine et al.
7,470,257 B2	12/2008	Norton et al.	8,267,127 B2	9/2012	Kriheli
7,470,265 B2	12/2008	Brugger et al.	D669,980 S	10/2012	Lev et al.
7,472,932 B2	1/2009	Weber et al.	8,287,513 B2	10/2012	Ellstrom et al.
7,488,297 B2	2/2009	Flaherty	D673,673 S	1/2013	Wang
7,491,197 B2	2/2009	Jansen et al.	D674,088 S	1/2013	Lev et al.
7,497,848 B2	3/2009	Leinsing et al.	D681,230 S	4/2013	Mosler et al.
7,523,967 B2	4/2009	Steppe	8,454,573 B2	6/2013	Wyatt et al.
7,530,546 B2	5/2009	Ryan et al.	8,469,939 B2	6/2013	Fangrow, Jr.
D595,420 S	6/2009	Suzuki et al.	8,475,404 B2	7/2013	Foshee et al.
D595,421 S	6/2009	Suzuki et al.	8,480,645 B1	7/2013	Choudhury et al.
7,540,863 B2	6/2009	Haindl	8,480,646 B2	7/2013	Nord et al.
7,540,865 B2	6/2009	Griffin et al.	8,506,548 B2	8/2013	Okiyama
7,544,191 B2	6/2009	Peluso et al.	8,511,352 B2	8/2013	Kraus et al.
D595,862 S	7/2009	Suzuki et al.	D690,418 S	9/2013	Rosenquist
D595,863 S	7/2009	Suzuki et al.	8,523,837 B2	9/2013	Wiggins et al.
			8,545,476 B2	10/2013	Ariagno et al.
			8,551,067 B2	10/2013	Zinger et al.
			8,556,879 B2	10/2013	Okiyama
			8,562,582 B2	10/2013	Tuckwell et al.

(56)

References Cited

U.S. PATENT DOCUMENTS

8,608,723	B2 *	12/2013	Lev et al.	604/414	2007/0191764	A1	8/2007	Zihlmann
8,628,508	B2	1/2014	Weitzel et al.		2007/0191767	A1	8/2007	Hennessy et al.
8,684,992	B2	4/2014	Sullivan et al.		2007/0203451	A1	8/2007	Murakami et al.
2001/0000347	A1	4/2001	Hellstrom et al.		2007/0219483	A1	9/2007	Kitani et al.
2001/0025671	A1	10/2001	Safabash		2007/0244447	A1	10/2007	Capitaine et al.
2001/0029360	A1	10/2001	Miyoshi et al.		2007/0244461	A1	10/2007	Fangrow
2001/0051793	A1	12/2001	Weston		2007/0244462	A1	10/2007	Fangrow
2002/0017328	A1	2/2002	Loo		2007/0244463	A1	10/2007	Warren et al.
2002/0066715	A1	6/2002	Niedospial		2007/0249995	A1	10/2007	Van Manen
2002/0087118	A1	7/2002	Reynolds et al.		2007/0255202	A1	11/2007	Kitani et al.
2002/0087141	A1	7/2002	Zinger et al.		2007/0265574	A1	11/2007	Tennican et al.
2002/0087144	A1	7/2002	Zinger et al.		2007/0265581	A1	11/2007	Funamura et al.
2002/0121496	A1	9/2002	Thiebault et al.		2007/0270778	A9	11/2007	Zinger et al.
2002/0123736	A1	9/2002	Fowles et al.		2007/0287953	A1	12/2007	Ziv et al.
2002/0127150	A1	9/2002	Sasso		2007/0299404	A1	12/2007	Katoh et al.
2002/0128628	A1	9/2002	Fathallah		2008/0009789	A1	1/2008	Zinger et al.
2002/0138045	A1	9/2002	Moen		2008/0009822	A1	1/2008	Enerson
2002/0173752	A1	11/2002	Polzin		2008/0172024	A1	7/2008	Yow
2002/0193777	A1	12/2002	Aneas		2008/0249479	A1	10/2008	Zinger et al.
2003/0028156	A1	2/2003	Juliar		2008/0249498	A1	10/2008	Fangrow
2003/0036725	A1	2/2003	Lavi et al.		2008/0262465	A1	10/2008	Zinger et al.
2003/0068354	A1	4/2003	Reif et al.		2008/0287905	A1	11/2008	Hiejima et al.
2003/0073971	A1	4/2003	Saker		2008/0294100	A1	11/2008	de Costa et al.
2003/0100866	A1	5/2003	Reynolds		2008/0306439	A1	12/2008	Nelson et al.
2003/0109846	A1 *	6/2003	Zinger et al.	604/410	2008/0312634	A1	12/2008	Helmerson et al.
2003/0120209	A1	6/2003	Jensen et al.		2009/0012492	A1	1/2009	Zihlmann
2003/0153895	A1	8/2003	Leinsing		2009/0054834	A1	2/2009	Zinger et al.
2003/0187420	A1	10/2003	Akerlund et al.		2009/0082750	A1	3/2009	Denenburg et al.
2003/0191445	A1	10/2003	Wallen et al.		2009/0143758	A1	6/2009	Okiyama
2003/0195479	A1	10/2003	Kuracina et al.		2009/0177177	A1	7/2009	Zinger et al.
2003/0199846	A1	10/2003	Fowles et al.		2009/0177178	A1	7/2009	Pedersen
2003/0199847	A1	10/2003	Akerlund et al.		2009/0187140	A1	7/2009	Racz
2004/0024354	A1	2/2004	Reynolds		2009/0216212	A1	8/2009	Fangrow, Jr.
2004/0039365	A1	2/2004	Aramata et al.		2009/0267011	A1	10/2009	Hatton et al.
2004/0044327	A1	3/2004	Hasegawa		2009/0299325	A1	12/2009	Vedrine et al.
2004/0073189	A1	4/2004	Wyatt et al.		2009/0326506	A1	12/2009	Hasegawa et al.
2004/0153047	A1	8/2004	Blank et al.		2010/0010443	A1	1/2010	Morgan et al.
2004/0181192	A1	9/2004	Cuppy		2010/0022985	A1	1/2010	Sullivan et al.
2004/0204699	A1	10/2004	Hanly et al.		2010/0030181	A1	2/2010	Helle et al.
2004/0217315	A1	11/2004	Doyle		2010/0036319	A1	2/2010	Drake et al.
2004/0225274	A1	11/2004	Jansen et al.		2010/0076397	A1	3/2010	Reed et al.
2004/0236305	A1	11/2004	Jansen et al.		2010/0087786	A1	4/2010	Zinger et al.
2004/0255952	A1	12/2004	Carlsen et al.		2010/0137827	A1	6/2010	Warren et al.
2005/0015070	A1	1/2005	Delnevo et al.		2010/0160889	A1	6/2010	Smith et al.
2005/0016626	A1	1/2005	Wilcox et al.		2010/0168712	A1	7/2010	Tuckwell et al.
2005/0055008	A1	3/2005	Paradis et al.		2010/0179506	A1	7/2010	Shemesh et al.
2005/0082828	A1	4/2005	Wicks et al.		2010/0204670	A1	8/2010	Kraushaar et al.
2005/0124964	A1	6/2005	Niedospial et al.		2010/0228220	A1	9/2010	Zinger et al.
2005/0137566	A1	6/2005	Fowles et al.		2010/0241088	A1	9/2010	Ranalletta et al.
2005/0148994	A1	7/2005	Leinsing		2010/0274184	A1	10/2010	Chun
2005/0159724	A1	7/2005	Enerson		2010/0286661	A1	11/2010	Raday et al.
2005/0182383	A1	8/2005	Wallen		2010/0312220	A1	12/2010	Kalitzki
2005/0209554	A1	9/2005	Landau		2011/0054440	A1	3/2011	Lewis
2005/0261637	A1	11/2005	Miller		2011/0087164	A1 *	4/2011	Mosler et al. 604/87
2005/0277896	A1	12/2005	Messerli et al.		2011/0160701	A1 *	6/2011	Wyatt et al. 604/519
2006/0030832	A1	2/2006	Niedospial et al.		2011/0175347	A1	7/2011	Okiyama
2006/0079834	A1	4/2006	Tennican et al.		2011/0218511	A1	9/2011	Yokoyama
2006/0089594	A1	4/2006	Landau		2011/0224640	A1	9/2011	Kuhn et al.
2006/0089603	A1	4/2006	Truitt et al.		2011/0230856	A1	9/2011	Kyle et al.
2006/0095015	A1	5/2006	Hobbs et al.		2011/0264037	A1	10/2011	Foshee et al.
2006/0106360	A1	5/2006	Wong		2011/0264069	A1	10/2011	Bochenko
2006/0135948	A1	6/2006	Varma		2011/0276007	A1	11/2011	Denenburg
2006/0253084	A1	11/2006	Nordgren		2011/0319827	A1	12/2011	Leinsing et al.
2007/0024995	A1	2/2007	Hayashi		2012/0022469	A1	1/2012	Alpert
2007/0060904	A1	3/2007	Vedrine et al.		2012/0053555	A1	3/2012	Ariagno et al.
2007/0079894	A1	4/2007	Kraus et al.		2012/0059346	A1	3/2012	Sheppard et al.
2007/0083164	A1	4/2007	Barrelle et al.		2012/0067429	A1 *	3/2012	Mosler et al. 137/1
2007/0088252	A1	4/2007	Pestotnik et al.		2012/0078214	A1	3/2012	Finke et al.
2007/0088293	A1	4/2007	Fangrow		2012/0123382	A1	5/2012	Kubo
2007/0088313	A1	4/2007	Zinger et al.		2012/0215182	A1	8/2012	Mansour et al.
2007/0106244	A1	5/2007	Mosler et al.		2012/0220977	A1	8/2012	Yow
2007/0112324	A1	5/2007	Hamedi-Sangsari		2012/0220978	A1	8/2012	Lev et al.
2007/0156112	A1	7/2007	Walsh		2012/0265163	A1	10/2012	Cheng et al.
2007/0167904	A1	7/2007	Zinger et al.		2012/0271229	A1	10/2012	Lev et al.
2007/0191760	A1	8/2007	Iguchi et al.		2012/0296307	A1	11/2012	Holt et al.
					2012/0310203	A1	12/2012	Khaled et al.
					2012/0323187	A1	12/2012	Iwase et al.
					2012/0323210	A1 *	12/2012	Lev et al. 604/405
					2013/0053814	A1	2/2013	Mueller-Beckhaus et al.

(56)

References Cited

U.S. PATENT DOCUMENTS

2013/0096493 A1 4/2013 Kubo et al.
 2013/0199669 A1 8/2013 Moy et al.
 2013/0231630 A1 9/2013 Kraus et al.
 2013/0237904 A1* 9/2013 Deneburg et al. 604/86
 2013/0289530 A1 10/2013 Wyatt et al.
 2014/0150911 A1 6/2014 Hanner et al.

FOREIGN PATENT DOCUMENTS

DE 4122476 A1 1/1993
 DE 19504413 A1 8/1996
 DE 202004012714 U1 11/2004
 DE 202009011019 U1 12/2010
 EP 0192661 A1 9/1986
 EP 0195018 A1 9/1986
 EP 0258913 A2 3/1988
 EP 0416454 A2 3/1991
 EP 0518397 A1 12/1992
 EP 0521460 A1 1/1993
 EP 0637443 A1 2/1995
 EP 0737467 A1 10/1996
 EP 761562 A1 3/1997
 EP 765652 A1 4/1997
 EP 765853 A1 4/1997
 EP 0806597 A1 11/1997
 EP 0814866 A1 1/1998
 EP 829248 A2 3/1998
 EP 0856331 A2 8/1998
 EP 882441 A2 12/1998
 EP 0887085 A2 12/1998
 EP 0887885 A2 12/1998
 EP 897708 A2 2/1999
 EP 0898951 A2 3/1999
 EP 960616 A2 12/1999
 EP 1008337 A1 6/2000
 EP 1029526 A1 8/2000
 EP 1034809 A1 9/2000
 EP 1051988 A2 11/2000
 EP 1323403 A1 7/2003
 EP 1329210 A1 7/2003
 EP 1396250 A1 3/2004
 EP 1454609 A1 9/2004
 EP 1454650 A1 9/2004
 EP 1498097 A2 1/2005
 EP 1872824 A1 1/2008
 EP 1919432 A1 5/2008
 EP 1930038 A2 6/2008
 EP 2090278 A1 8/2009
 EP 2351548 A1 8/2011
 EP 2351549 A1 8/2011
 EP 2462913 A1 6/2012
 FR 2029242 A5 10/1970
 FR 2856660 A1 12/2004
 FR 2869795 A1 11/2005
 FR 2931363 A1 11/2009
 GB 1444210 A 7/1976
 IL 171662 10/2005
 JP 03-062426 B 9/1991
 JP 4329954 A 11/1992
 JP 06-050656 U 7/1994
 JP H08-000710 A 1/1996
 JP 09-104460 A 4/1997
 JP 09-104461 A 4/1997
 JP 10-118158 A 5/1998
 JP H10-504736 A 5/1998
 JP 11503627 T 3/1999
 JP 11-319031 A 11/1999
 JP 2000-508934 A 7/2000
 JP 2000-237278 A 9/2000
 JP 2001-505083 A 4/2001
 JP 2002-035140 A 2/2002
 JP 2002-516160 A 6/2002
 JP 2002-355318 A 12/2002
 JP 2003-033441 A 2/2003

JP 2003-102807 A 4/2003
 JP 2004-097253 A 4/2004
 JP 2004-522541 A 7/2004
 JP 2010-179128 A 8/2010
 WO 9003536 A1 4/1990
 WO 9403373 A1 2/1994
 WO 9507066 A1 3/1995
 WO 9600053 A1 1/1996
 WO 9629113 A1 9/1996
 WO 9736636 A1 10/1997
 WO 9832411 A1 7/1998
 WO 9837854 A1 9/1998
 WO 9961093 A1 12/1999
 WO 0128490 A1 4/2001
 WO 0130425 A1 5/2001
 WO 0132524 A1 5/2001
 WO 0160311 A1 8/2001
 WO 0191693 A2 12/2001
 WO 200209797 A1 2/2002
 WO 0232372 A1 4/2002
 WO 0236191 A2 5/2002
 WO 02066100 A2 8/2002
 WO 02089900 A1 11/2002
 WO 03051423 A2 6/2003
 WO 03070147 A2 8/2003
 WO 03079956 A1 10/2003
 WO 2004041148 A1 5/2004
 WO 2005002492 A1 1/2005
 WO 2005041846 A2 5/2005
 WO 2005105014 A2 11/2005
 WO 2006099441 A2 9/2006
 WO 2007015233 A1 2/2007
 WO 2007017868 A1 2/2007
 WO 2007052252 A1 5/2007
 WO 2007101772 A1 9/2007
 WO 2007105221 A1 9/2007
 WO 2008126090 A1 10/2008
 WO 2009026443 A2 2/2009
 WO 2009029010 A1 3/2009
 WO 2009038860 A1 3/2009
 WO 2009038860 A2 3/2009
 WO 2009040804 A2 4/2009
 WO 2009087572 A1 7/2009
 WO 2009093249 A1 7/2009
 WO 2009112489 A1 9/2009
 WO 2009146088 A1 12/2009
 WO 2010061743 A1 6/2010
 WO 2010117580 A1 10/2010
 WO 2011039747 A1 4/2011
 WO 2011058545 A1 5/2011
 WO 2011058548 A1 5/2011
 WO 2011077434 A1 6/2011
 WO 2011104711 A1 9/2011
 WO WO 2011104711 A1* 9/2011
 WO 2012063230 A1 5/2012
 WO 2012143921 A1 10/2012
 WO 2013127813 A1 9/2013
 WO 2013134246 A1 9/2013
 WO 2013156944 A1 10/2013
 WO 2014033706 A2 3/2014
 WO 2014033710 A1 3/2014

OTHER PUBLICATIONS

IV disposables sets catalogue, Cardinal Health, Alaris® products, SmartSite® access devices and accessories product No. 10013365, SmartSite add-on bag access device with spike adapter and needle-free valve bag access port, pp. 1-5, Fall edition (2007).
 Drug Administration Systems product information sheets; <http://www.westpharma.com/eu/en/products/Pages/Vial2Bag.aspx>; pp. 1-3.
 Office Action Issued Jun. 8, 2010 in U.S. Appl. No. 12/112,490 by Zinger.
 Office Action issued Sep. 28, 2010 in U.S. Appl. No. 12/112,490 by Zinger.
 Article with picture of West Pharmaceutical Services' Vial2Bag Needleless System, [on-line]; ISIPS Newsletter, Oct. 26, 2007];

(56)

References Cited

OTHER PUBLICATIONS

retrieved from Internet Feb. 16, 2010]; URL:<http://www.isips.org/reports/ISIPS_Newsletter_October_26_2007.html> (7 pages see pp. 5-6).

Office Action issued Jun. 15, 2011 in JP Application No. 2008-538492.

Translation of Office Action issued Jun. 18, 2012 in JP Application No. 2008-538492.

Translation of Office Action issued Apr. 15, 2013 in JP Application No. 2008-538492.

Office Action issued Jul. 13, 2012 in U.S. Appl. No. 12/112,490 by Zinger.

Office Action issued Jan. 23, 2013 in U.S. Appl. No. 12/112,490 by Zinger.

Int'l Preliminary Report on Patentability issued May 6, 2008 in Int'l Application No. PCT/IL2006/001228.

Grifols Vial Adapter Product Literature, 2 pages, Jan. 2002.

Novel Transfer, Mixing and Drug Delivery Systems, MOP Medimop Medical Projects Ltd. Catalog, 4 pages, Rev. 4, 2004.

Smart Site.RTM. Needle-Free Systems, Alaris Medical Systems Webpage, 4 pages, Feb. 2006.

Office Action Issued Oct. 6, 2003 in U.S. Appl. No. 10/062,796.

Office Action Issued Feb. 22, 2005 in U.S. Appl. No. 10/062,796.

Office Action Issued Oct. 5, 2005 in U.S. Appl. No. 10/062,796.

Office Action Issued Feb. 20, 2009 in U.S. Appl. No. 11/694,297.

Int'l Search Report Issued Dec. 6, 2006 in Int'l Application No. PCT/IL2006/000912.

Int'l Preliminary Report on Patentability Issued Dec. 4, 2007 in Int'l Application No. PCT/IL2006/000912.

<http://www.westpharma.com/eu/en/products/Pages/Mixject.aspx>.

<http://www.westpharma.com/eu/SiteCollectionDocuments/Recon/mixject%20product%20sheet.pfg>: MIXJECT product information sheet pp. 1.

Int'l Search Report Issued Jul. 27, 2007 in Int'l Application No. PCT/IL2007/000343.

Int'l Preliminary Report on Patentability Issued Jun. 19, 2008 in Int'l Application No. PCT/IL2007/000343.

Int'l Search Report Issued Mar. 27, 2009 in Int'l Application No. PCT/US2008/070024.

Int'l Preliminary Report on Patentability Issued Jun. 19, 2006 in Int'l Application No. PCT/IL2005/000376.

Written Opinion of the ISR Issued in Int'l Application No. PCT/IL08/00517.

Int'l Preliminary Report on Patentability Issued Oct. 20, 2009 in Int'l Application No. PCT/IL2008/000517.

Office Action Issued Apr. 20, 2010 in U.S. Appl. No. 11/997,569.

Int'l Search Report dated Nov. 20, 2006 in Int'l Application No. PCT/IL2006/000881.

Office Action Issued May 27, 2010 in U.S. Appl. No. 11/559,152.

Decision to Grant mailed Apr. 12, 2010 in EP Application No. 08738307.1.

Office Action issued Jun. 1, 2010 in U.S. Appl. No. 11/568,421.

Office Action issued Nov. 12, 2010 in U.S. Appl. No. 29/334,697.

The MixJect transfer system, as shown in the article, "Advanced Delivery Devices," Drug Delivery Technology Jul./Aug. 2007 vol. 7 No. 7 [on-line]. [Retrieved from Internet May 14, 2010.] URL: <<http://www.drugdeliverytech-online.com/drugdelivery/200707/?pg=28pg28>>. (3 pages).

Publication date of Israeli Patent Application 186290 [on-line]. [Retrieved from Internet May 24, 2010]. URL:<<http://www.ilpatsearch.justice.gov.il/UI/RequestsList.aspx>>. (1 page).

Int'l Search Report issued Nov. 25, 2010 in Int'l Application No. PCT/IL2010/000530.

Office Action issued Feb. 7, 2011 in U.S. Appl. No. 12/783,194.

Office Action issued Dec. 20, 2010 in U.S. Appl. No. 12/063,176.

Office Action issued Dec. 13, 2010 in U.S. Appl. No. 12/293,122.

Office Action issued Nov. 29, 2010 in U.S. Appl. No. 11/568,421.

Office Action issued Dec. 23, 2010 in U.S. Appl. No. 29/334,696.

Int'l Search Report issued Feb. 3, 2011 in Int'l Application No. PCT/IL2010/000777.

Int'l Search Report issued on Mar. 17, 2011 in Int'l Application No. PCT/IL2010/000854.

Int'l Search Report issued on Mar. 17, 2011 in Int'l Application No. PCT/IL2010/00915.

Office Action Issued May 12, 2011 in U.S. Appl. No. 12/063,176.

Office Action issued Jul. 11, 2011 in U.S. Appl. No. 12/293,122.

Int'l Search Report issued Jul. 12, 2011 in Int'l Application No. PCT/IL2011/000187.

Int'l Search Report issued Jul. 12, 2011 in Int'l Application No. PCT/IL2011/000186.

Int'l Search Report issued Oct. 7, 2011 in Int'l Application No. PCT/IL2011/000511.

Int'l Search Report issued Mar. 6, 2012 in Int'l Application No. PCT/IL2011/000834; Written Opinion.

Int'l Search Report issued Mar. 7, 2012 in Int'l Application No. PCT/IL2011/000829; Written Opinion.

Office Action issued Mar. 13, 2012 in CA Application No. 2,563,643.

Office Action issued Mar. 1, 2012 in CN Application No. 2008801108283.4.

Office Action issued Mar. 6, 2012 in U.S. Appl. No. 12/678,928.

Int'l Preliminary Report on Patentability issued Sep. 24, 2013 in Int'l Application No. PCT/IL2012/000354.

Office Action issued Feb. 13, 2014 in U.S. Appl. No. 13/884,981 by Denenburg.

Int'l Search Report issued Aug. 16, 2012 in Int'l Application No. PCT/IL2012/000164.

English translation of an Office Action issued Sep. 10, 2013 in JP Application No. 2012-554468.

Int'l Search Report and Written Opinion issued Jan. 7, 2014 in Int'l Application No. PCT/IL2012/050721.

English translation of an Office Action issued Jan. 9, 2014 in JP Application No. 2010-526421.

English translation of an Office Action issued Dec. 4, 2013 in CN Application No. 201080051210.3.

English translation of an Office Action issued Dec. 25, 2013 in CN Application No. 201180006530.1.

Office Action issued Oct. 8, 2013 in CN Application No. 201080043825.1.

Int'l Search Report issued Mar. 17, 2011 in Int'l Application No. PCT/IL2010/000915; Written Opinion.

Int'l Search Report & Written Opinion issued on Mar. 7, 2012 in Int'l Application No. PCT/IL2011/000829.

Office Action issued May 31, 2013 in U.S. Appl. No. 13/505,790.

Office Action issued Jun. 14, 2012 in U.S. Appl. No. 29/376,980.

Office Action issued Jun. 15, 2012 in U.S. Appl. No. 29/413,170.

Office Action issued Jun. 21, 2012 in U.S. Appl. No. 12/596,167.

English translation of an Office Action issued Feb. 4, 2014 in JP Application No. 2012-554468.

Office Action issued Jan. 17, 2014 in CN Application No. 201180006534.X

Int'l Search Report and Written Opinion issued May 8, 2014 in Int'l Application No. PCT/IL2013/050706.

English translation of an Office Action issued Apr. 28, 2014 in JP Application No. 2013-537257.

Int'l Preliminary Report on Patentability issued Jan. 14, 2014 in Int'l Application No. PCT/IL2012/050516.

Office Action issued May 6, 2014 in U.S. Appl. No. 13/505,881 by Lev.

Int'l Search Report issued Jun. 19, 2013 in Int'l Application No. PCT/IL2013/050167.

Int'l Preliminary Report on Patentability issued Aug. 28, 2012 in Int'l Application No. PCT/IL2011/000186.

English translation of an Office Action issued Jul. 26, 2013 in JP Application No. 2012-538464.

Int'l Search Report issued Jan. 22, 2013 in Int'l Application No. PCT/IL2012/000354.

Int'l Search Report issued Mar. 18, 2013 in Int'l Application No. PCT/IL2012/050516.

Office Action issued Apr. 2, 2013 in U.S. Appl. No. 13/505,790.

Int'l Search Report and Written Opinion issued Mar. 6, 2012 in Int'l Application No. PCT/IL2011/000834.

Office Action issued Nov. 11, 2013 in IL Application No. 218730.

(56)

References Cited

OTHER PUBLICATIONS

Office Action issued Jan. 2, 2014 in U.S. Appl. No. 13/505,881 by Lev.

Int'l Search Report issued Jun. 5, 2013 in Int'l Application No. PCT/IL2012/050407.

Int'l Search Report issued Jun. 19, 2013 in Int'l Application No. PCT/IL201/050167.

Int'l Search Report issued Jul. 1, 2013 in Int'l Application No. PCT/IL2013/050180.

Int'l Search Report issued Jul. 31, 2103 in Int'l Application No. PCT/IL2013/050313.

Int'l Search Report issued Jul. 26, 2013 in Int'l Application No. PCT/IL2013/050316.

English translation of an Office Action issued Jun. 19, 2013 in JP Application No. 2012-531551.

Office Action issued Aug. 20, 2013 in U.S. Appl. No. 13/576,461 by Lev.

U.S. Appl. No. 14/366,306 by Lev, filed Jun. 18, 2014.

Office Action issued Apr. 17, 2014 in CN Application No. 201080051201.4.

Int'l Search Report Issued Oct. 17, 2005 in Int'l Application No. PCT/IL2005/000376.

Written Opinion of ISR Issued in Int'l Application No. PCT/IL2005/000376.

Int'l Search Report Issued Aug. 25, 2008 in Int'l Application No. PCT/IL2008/000517.

Written Opinion of the Int'l Searching Authority Issued Oct. 27, 2008 in Int'l Application No. PCT/US2008/070024.

Int'l Search Report Issued Mar. 12, 2009 in Int'l Application No. PCT/IL2008/001278.

Office Action Issued Jan. 20, 2010 in JP Application No. 2007-510229.

Office Action issued Aug. 3, 2011 in JP Application No. 2008-525719.

Office Action issued Mar. 1, 2012 in JP Application No. 2007-510229.

U.S. Appl. No. 13/498,378 by Lev, filed Mar. 27, 2012.

Int'l Search Report issued Mar. 17, 2011 in Int'l Application No. PCT/IL2010/000854; Written Opinion.

U.S. Appl. No. 13/505,790 by Lev, filed May 3, 2012.

U.S. Appl. No. 13/505,881 by Lev, filed May 3, 2012.

U.S. Appl. No. 13/522,410 by Lev, filed Jul. 16, 2012.

U.S. Appl. No. 13/576,461 by Lev, filed Aug. 1, 2012.

Alaris Medical Systems Product Brochure, 4 pages, Issue 1, Oct. 11, 1999.

Photographs of Alaris Medical Systems SmartSite.RTM. device, 5 pages, 2002.

Non-Vented Vial Access Pin with ULTRASITE.RTM. Valve, B. Braun Medical, Inc. website and product description, 3 pages, Feb. 2006.

U.S. Appl. No. 29/438,134 by Lev, filed Nov. 27, 2012.

U.S. Appl. No. 29/438,141 by Gilboa, filed Nov. 27, 2012.

U.S. Appl. No. 13/883,289 by Lev, filed May 3, 2013.

U.S. Appl. No. 13/884,981 by Denenburg, filed May 13, 2013.

U.S. Appl. No. 14/005,751 by Denenburg, filed Sep. 17, 2013.

Written Opinion issued Aug. 16, 2012 in Int'l Application No. PCT/IL2012/000164.

U.S. Appl. No. 29/478,723 by Lev, filed Jan. 8, 2014.

U.S. Appl. No. 29/478,726 by Lev, filed Jan. 8, 2014.

U.S. Appl. No. 14/345,094 by Lev, filed Mar. 14, 2014.

Office Action issued Nov. 28, 2013 in IN Application No. 4348/DELNP/2008.

Int'l Search Report and Written Opinion issued Jul. 16, 2014 in Int'l Application No. PCT/IL2014/050327.

English translation of an Office Action issued Jun. 30, 2014 in CN Application No. 201180052962.6.

Extended European Search Report issued Jun. 3, 2014 in EP Application No. 08781828.2.

Office Action issued Jul. 31, 2014 in U.S. Appl. No. 29/438,141 by Gilboa.

U.S. Appl. No. 14/385,212 by Lev, filed Sep. 15, 2014.

U.S. Appl. No. 29/502,037 by Lev, filed Sep. 11, 2014.

U.S. Appl. No. 29/502,053 by Lev, filed Sep. 11, 2014.

* cited by examiner

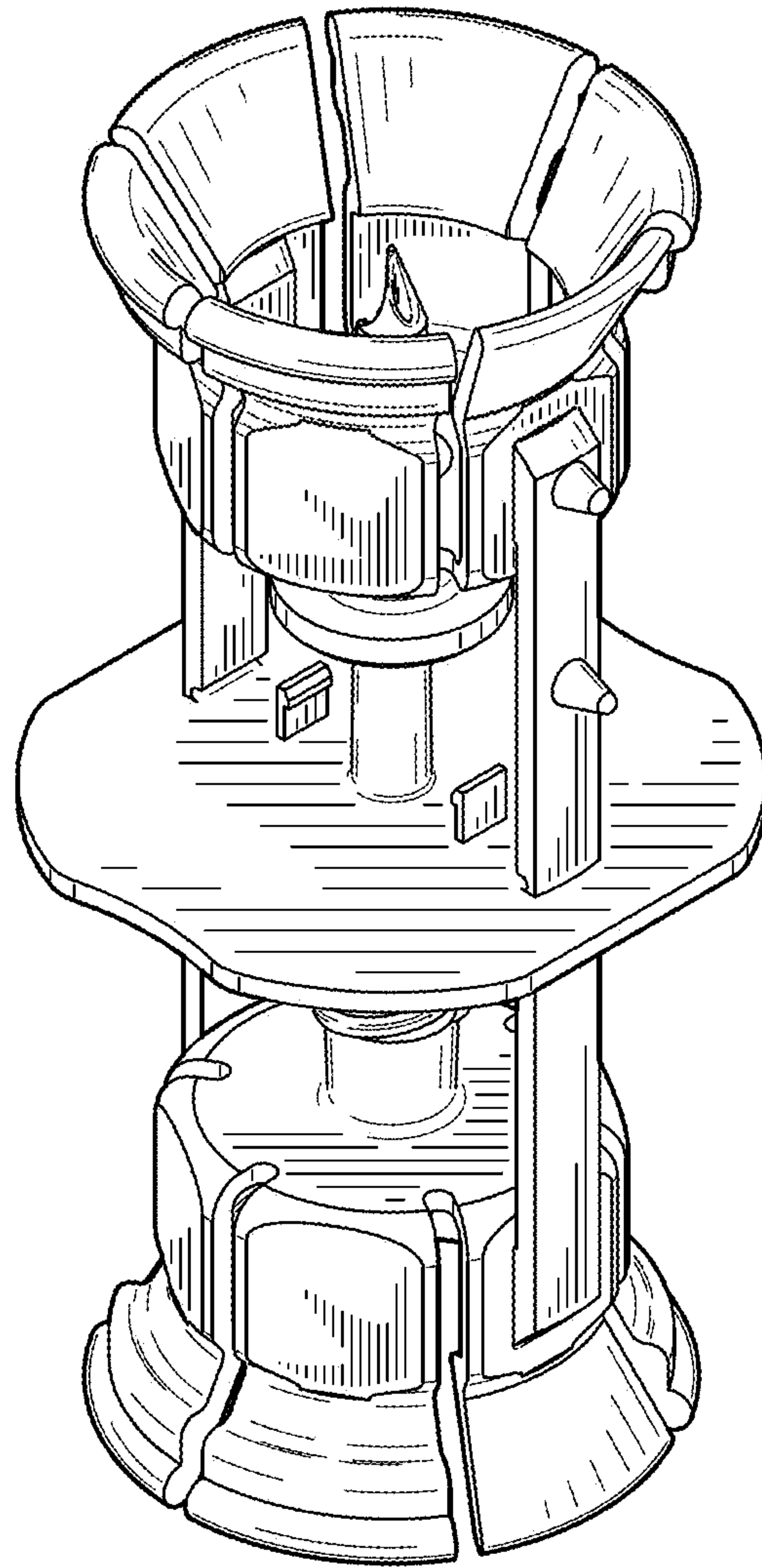


FIG.1

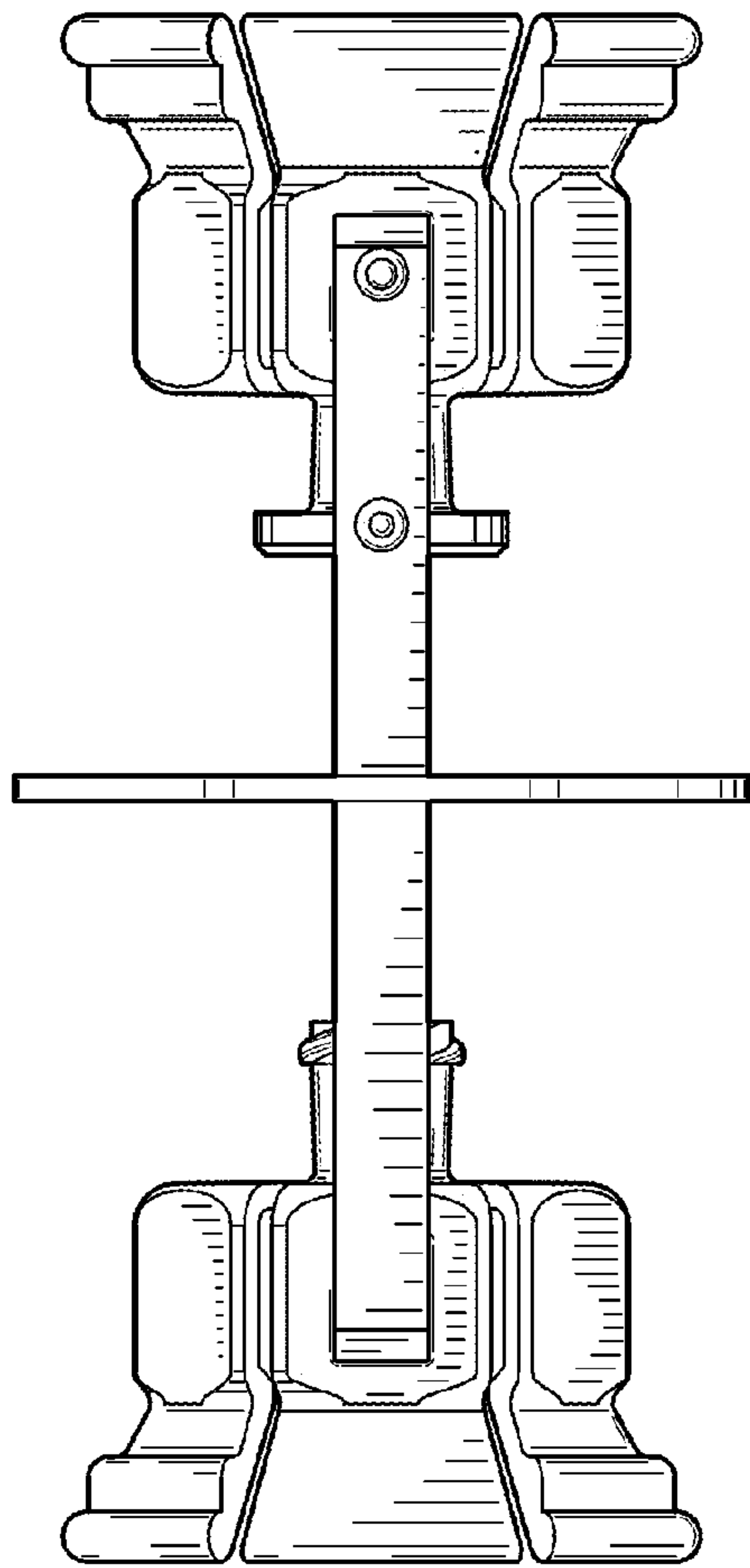


FIG. 2

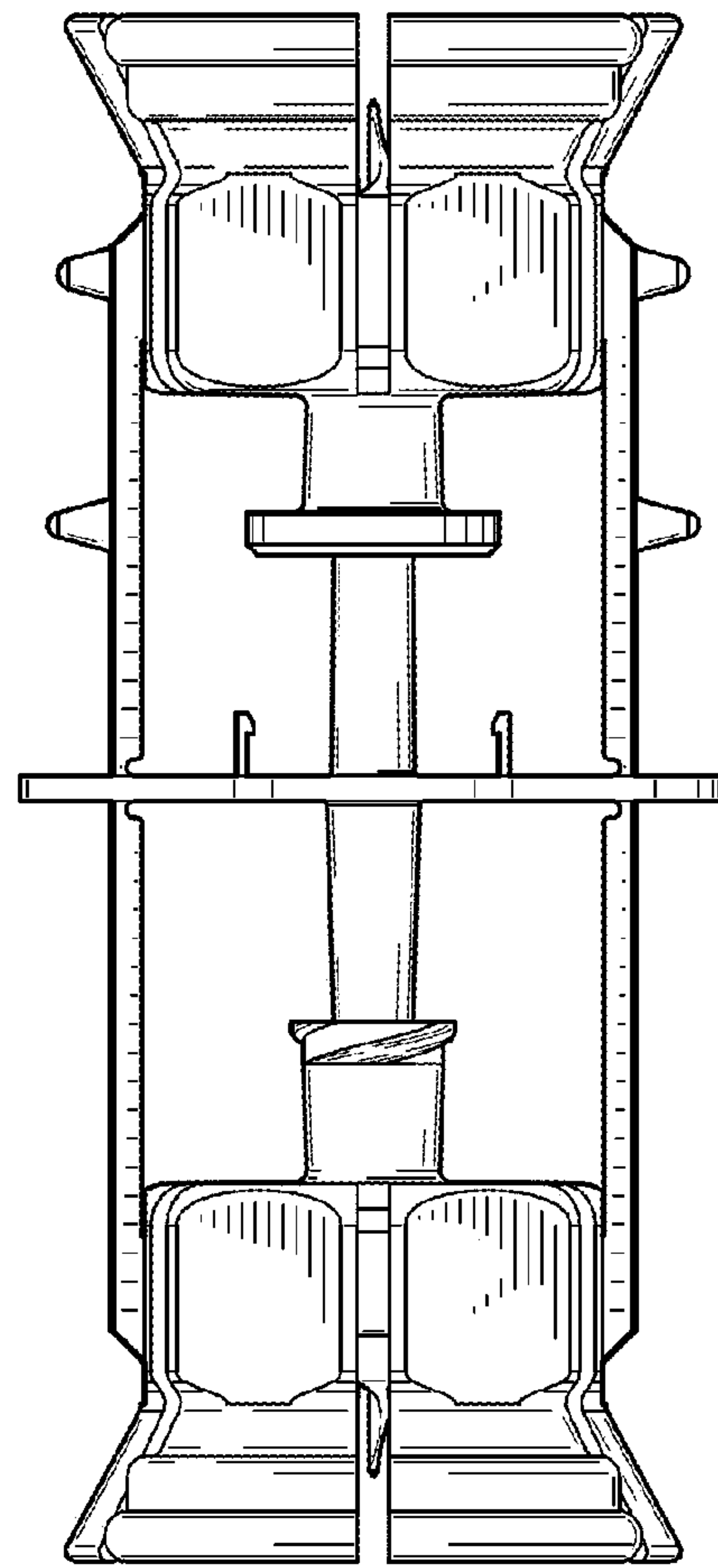


FIG. 3

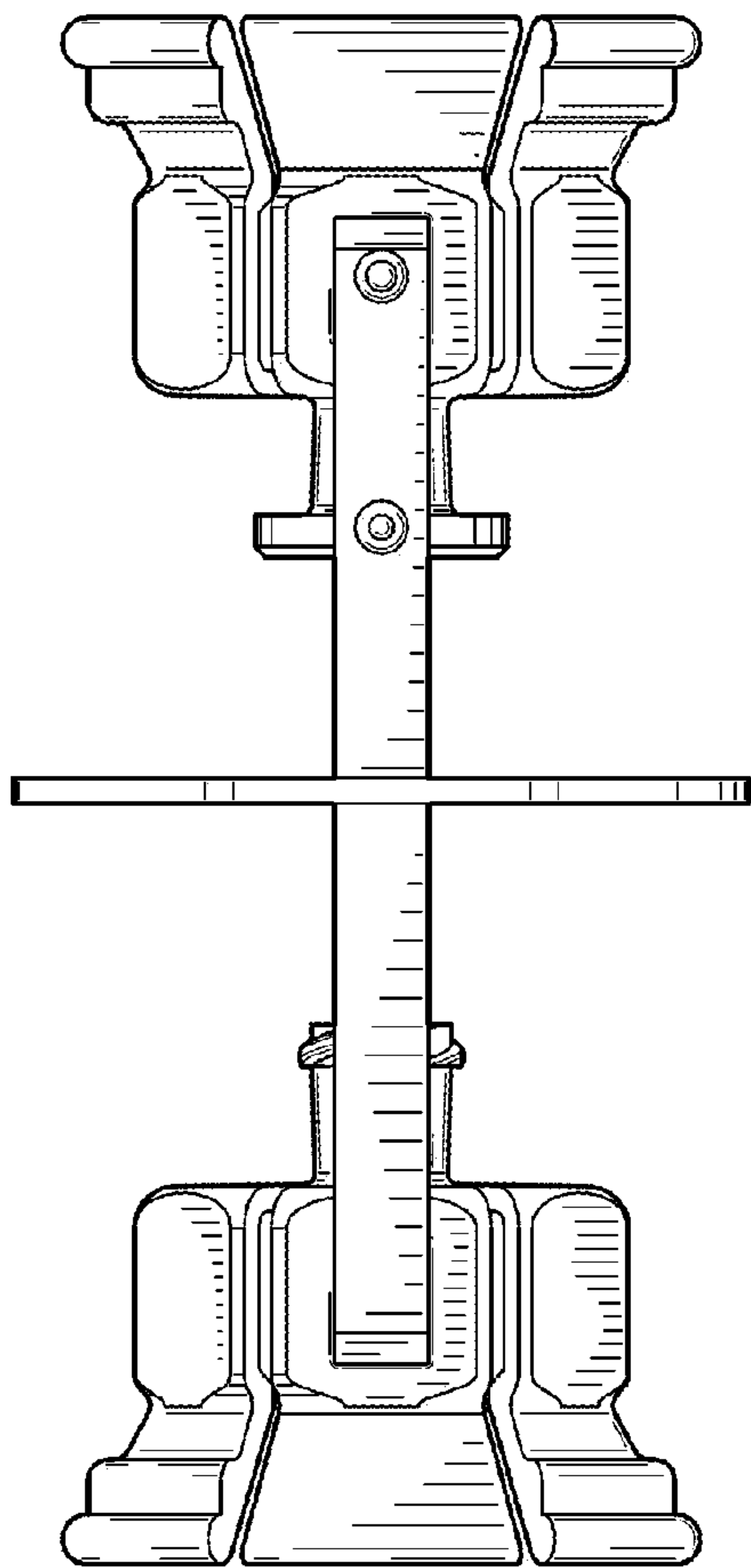


FIG. 4

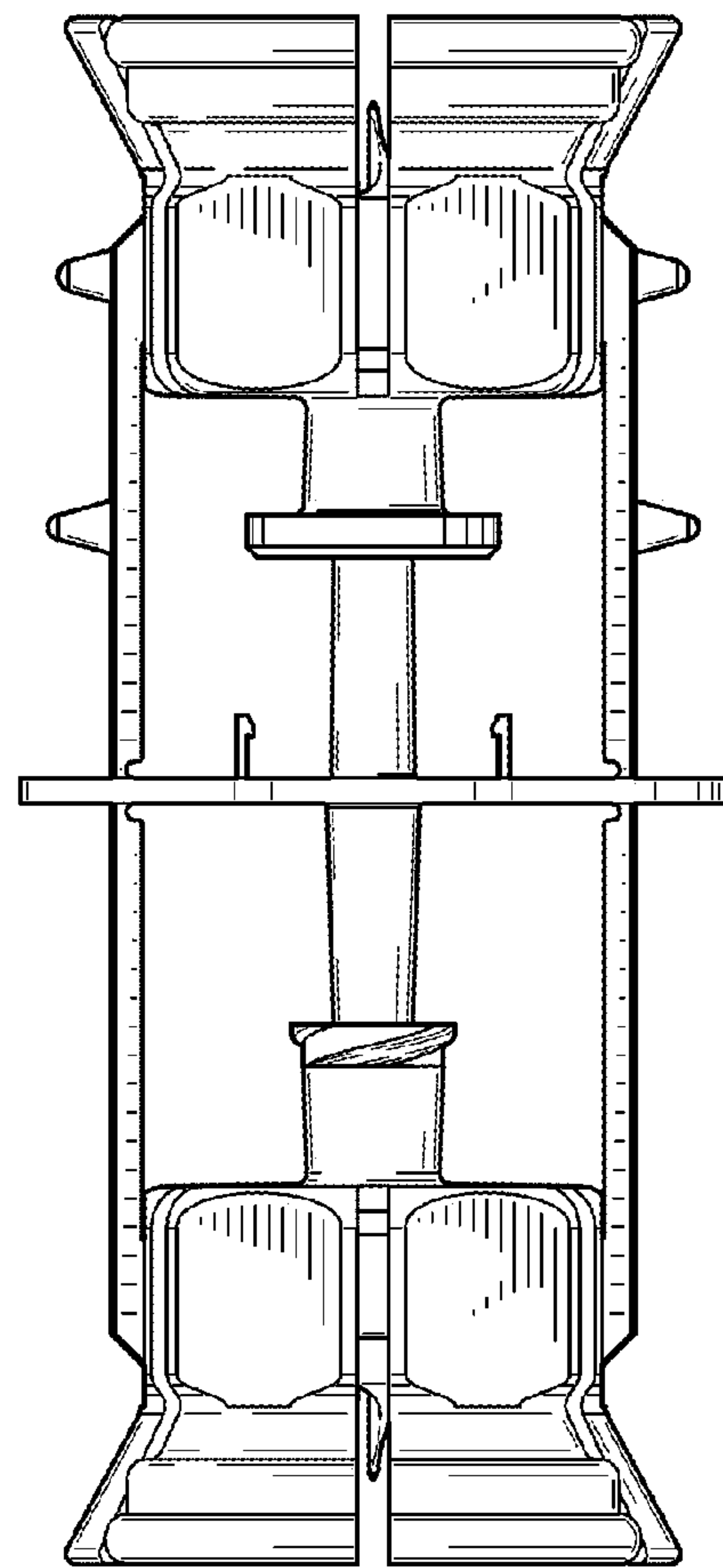


FIG. 5

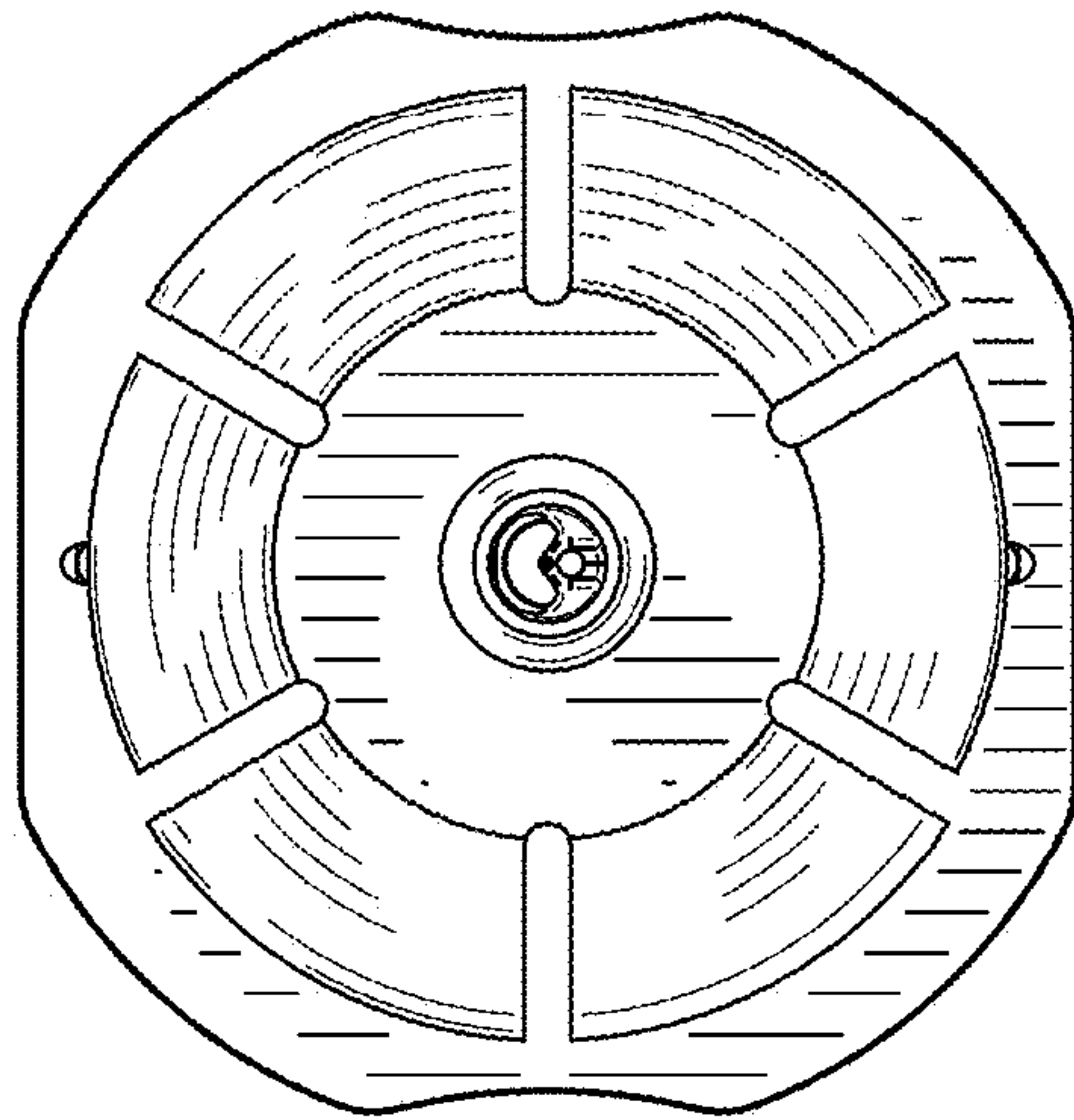


FIG. 6

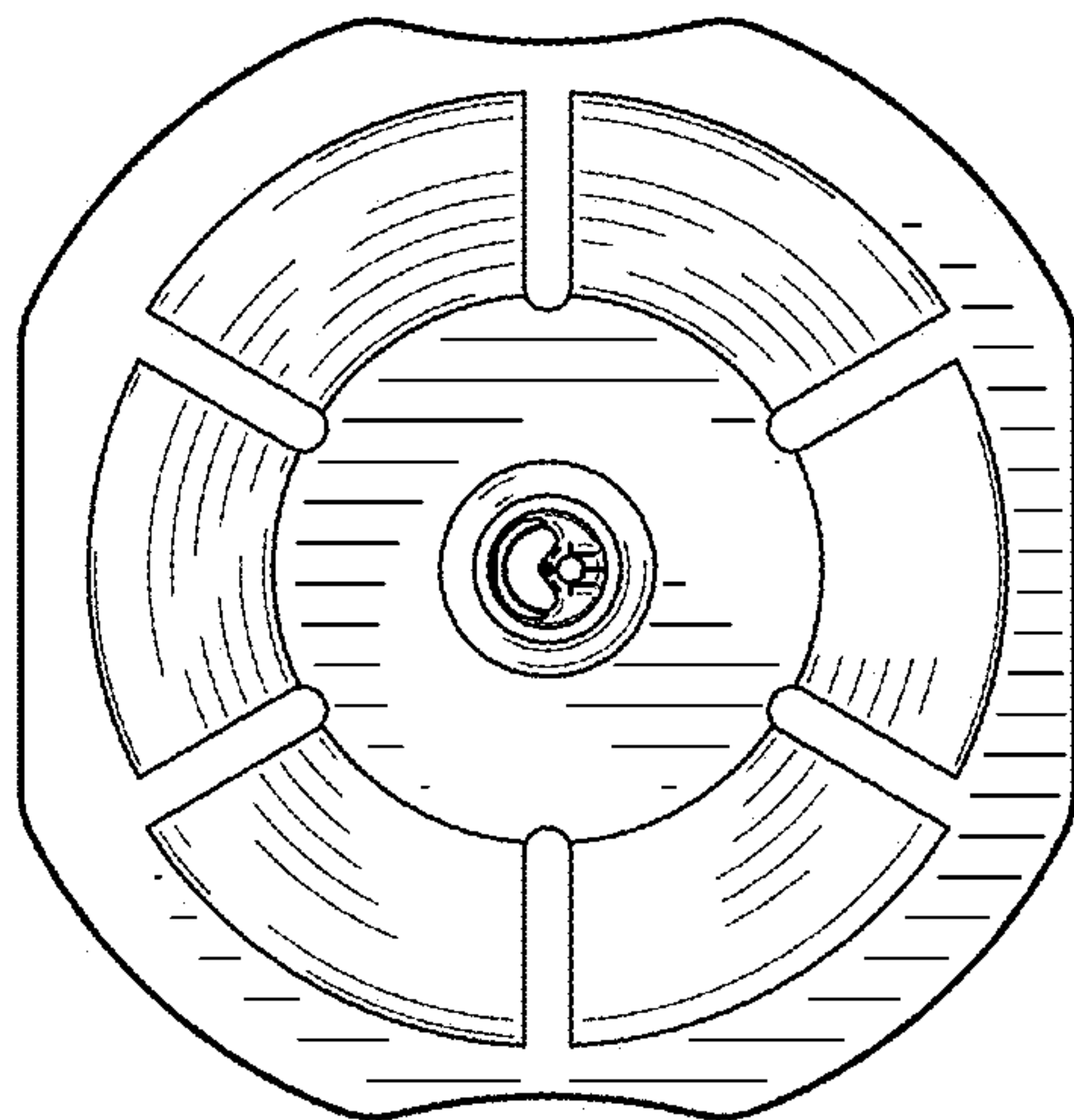


FIG. 7