



US00D720450S

(12) **United States Design Patent**
Glenn

(10) **Patent No.:** **US D720,450 S**

(45) **Date of Patent:** **** Dec. 30, 2014**

(54) **MEDICAL EQUIPMENT STAND FOR
INFECTION CONTROL SUPPLIES**

(71) Applicant: **Mel Glenn**, Birmingham, AL (US)

(72) Inventor: **Mel Glenn**, Birmingham, AL (US)

(**) Term: **14 Years**

(21) Appl. No.: **29/446,366**

(22) Filed: **Feb. 22, 2013**

(51) **LOC (10) Cl.** **24-00**

(52) **U.S. Cl.**
USPC **D24/128; D24/185**

(58) **Field of Classification Search**
USPC D24/185, 128, 122, 159, 177, 183, 186,
D24/216, 228, 234, 158; D6/708.24, 417,
D6/431; 248/229.26, 129, 125.9, 158,
248/125.8, 125.1, 125.7; 280/47.35, 47.34;
482/68; D34/24

See application file for complete search history.

(56) **References Cited**

U.S. PATENT DOCUMENTS

D252,300	S	*	7/1979	Pryor	D6/431
D260,816	S	*	9/1981	Zissimopoulos et al.	D24/128
D281,453	S	*	11/1985	DiGianfilippo et al.	D24/128
D308,725	S	*	6/1990	Kraus	D24/128
D310,570	S	*	9/1990	Wells	D24/128
5,125,607	A	*	6/1992	Pryor	248/125.1
5,135,191	A	*	8/1992	Schmuhl	248/125.1
D419,674	S	*	1/2000	Schattner	D24/128
6,056,249	A	*	5/2000	Fillon, Jr.	248/125.7
D436,167	S	*	1/2001	Ebert	D24/128
D468,014	S	*	12/2002	Girod	D24/128
D523,203	S	*	6/2006	Pertuset	D34/24
7,490,837	B2	*	2/2009	Pond et al.	280/47.35

7,896,298	B2	*	3/2011	Meyers et al.	248/125.8
D635,663	S	*	4/2011	Sung et al.	D24/128
7,935,030	B1	*	5/2011	Nesbitt	482/68
D642,402	S	*	8/2011	Rickard	D6/417
8,292,310	B2	*	10/2012	Turner	280/47.35
8,313,067	B2	*	11/2012	Knieriem et al.	248/129
D699,852	S	*	2/2014	Chung et al.	D24/158
D703,329	S	*	4/2014	Worcester	D24/185

* cited by examiner

Primary Examiner — Ian Simmons

Assistant Examiner — Rhea Shields

(74) *Attorney, Agent, or Firm* — Ballard Spahr LLP

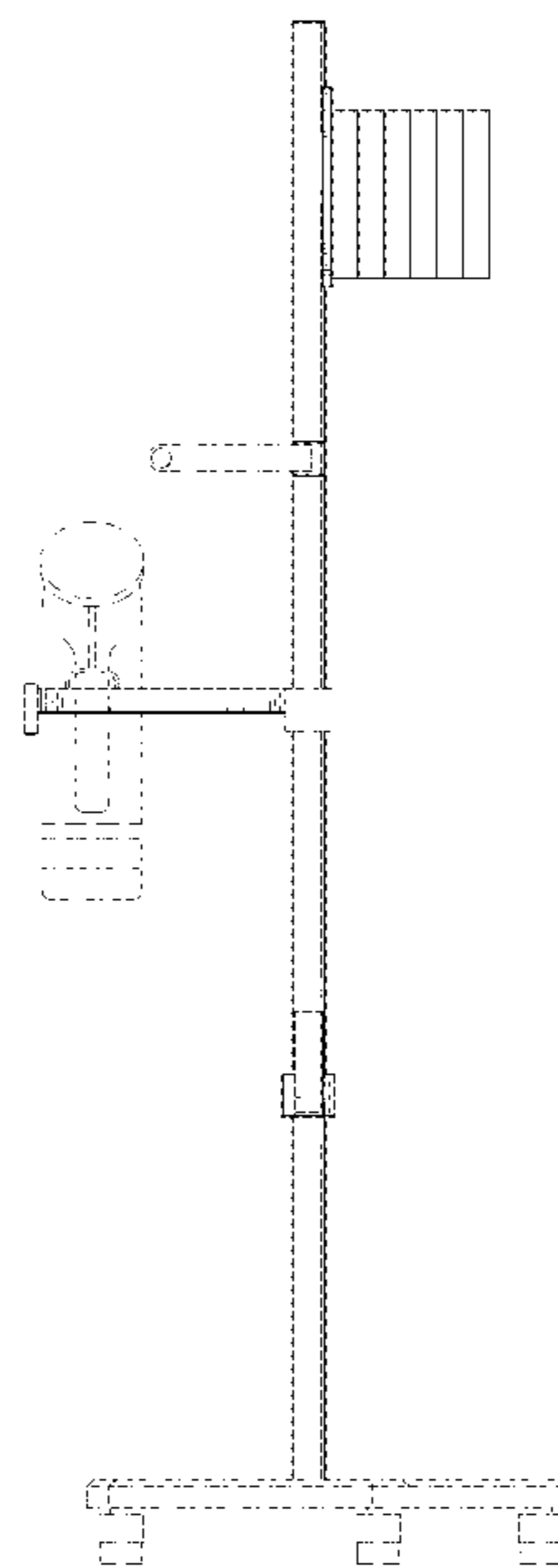
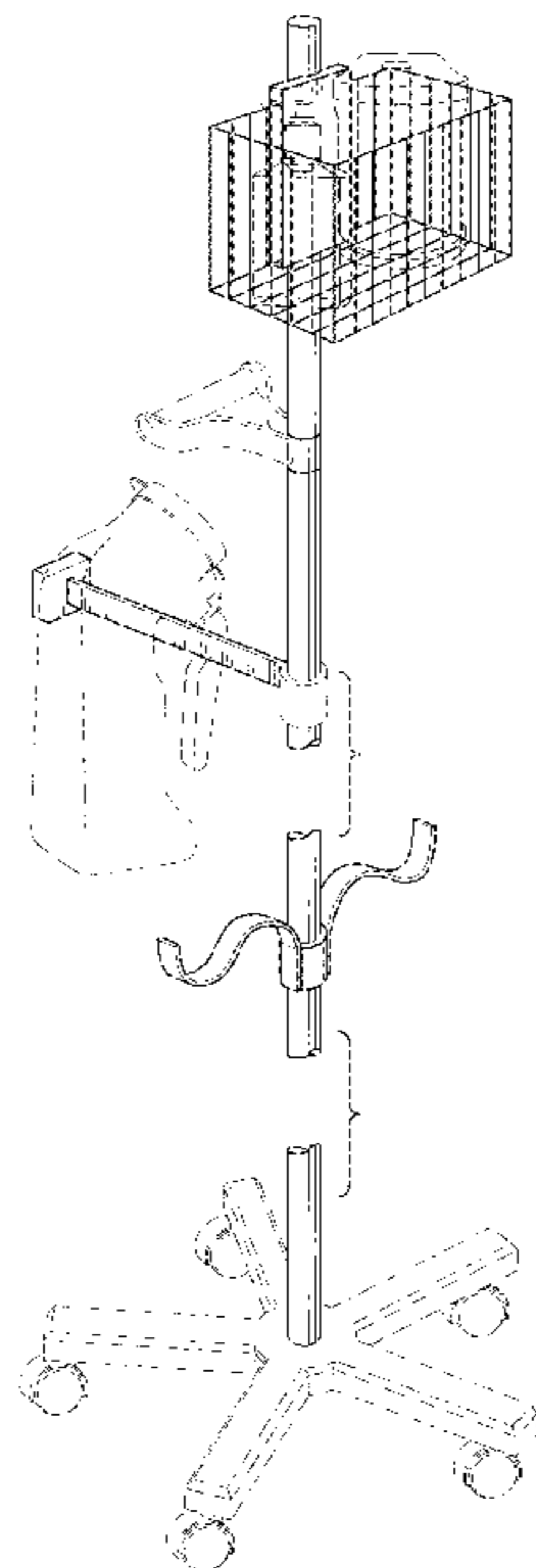
(57) **CLAIM**

The ornamental design for a medical equipment stand for infection control supplies, as shown and described.

DESCRIPTION

FIG. 1 is a perspective view of an embodiment of a medical equipment stand for infection control supplies in a hospital or treatment center of the present invention;
 FIG. 2 is a front view of the device of FIG. 1;
 FIG. 3 is a back view of the device of FIG. 1;
 FIG. 4 is a left side view of the device of FIG. 1;
 FIG. 5 is top view of the device of FIG. 1;
 FIG. 6 is a bottom view of the device of FIG. 1; and,
 FIG. 7 is a right side view of the device of FIG. 1.
 In FIGS. 1, 2 & 3 of the medical equipment stand for infection control supplies a symbolic break is shown in the stand's length. The appearance of any portion of the article between the break lines forms no part of the claimed design. In the drawings, the broken lines depict environmental subject matter only and form no part of the claimed design.

1 Claim, 6 Drawing Sheets



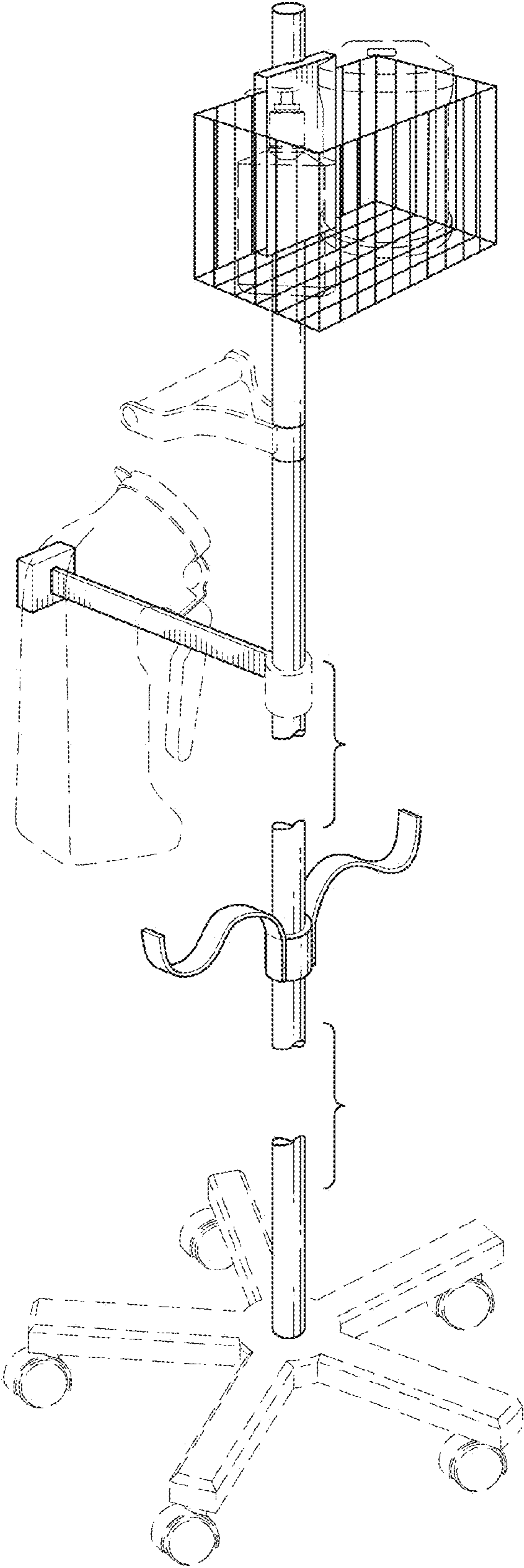


FIG. 1

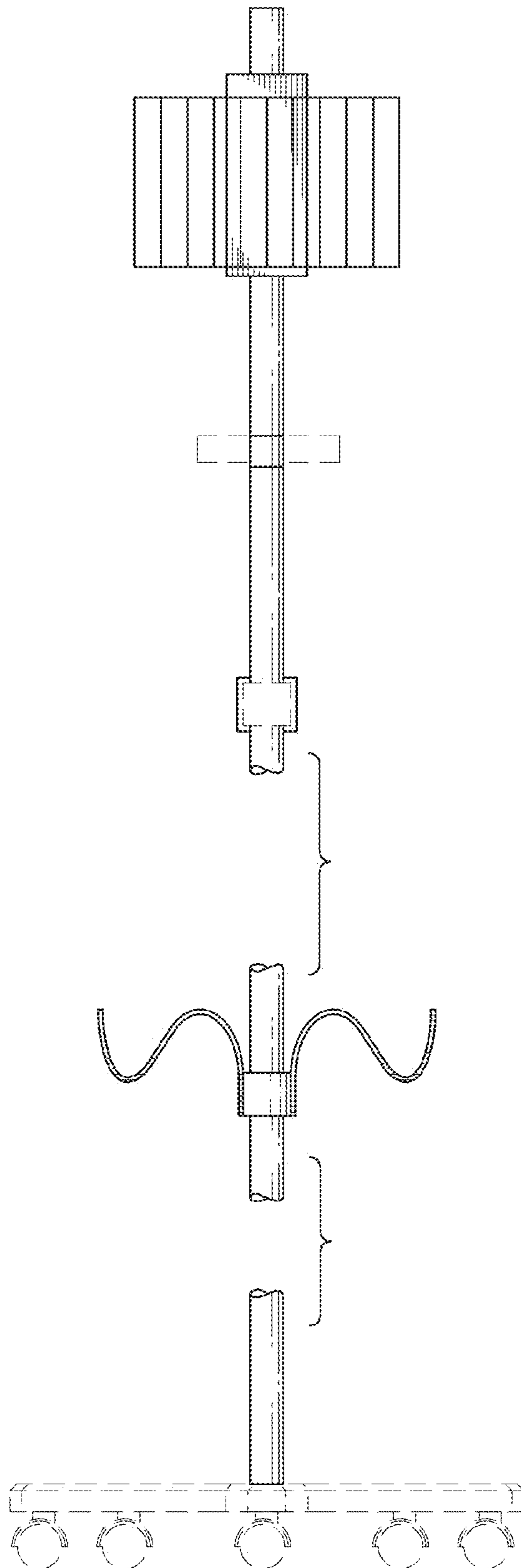


FIG. 2

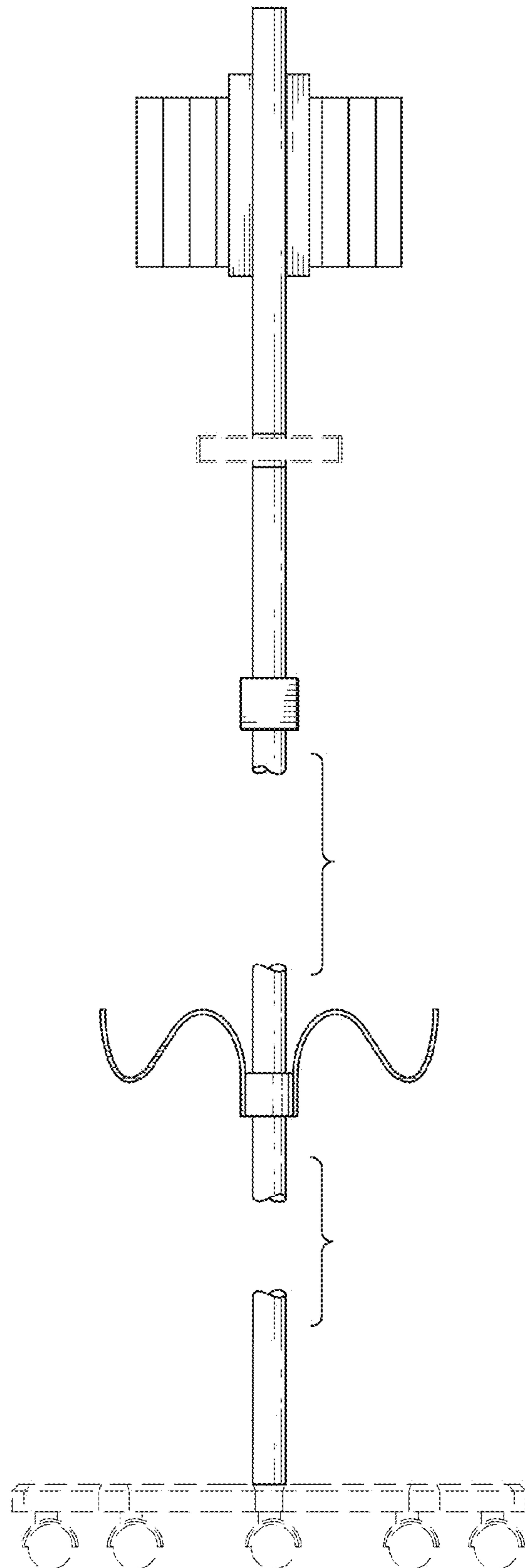


FIG. 3

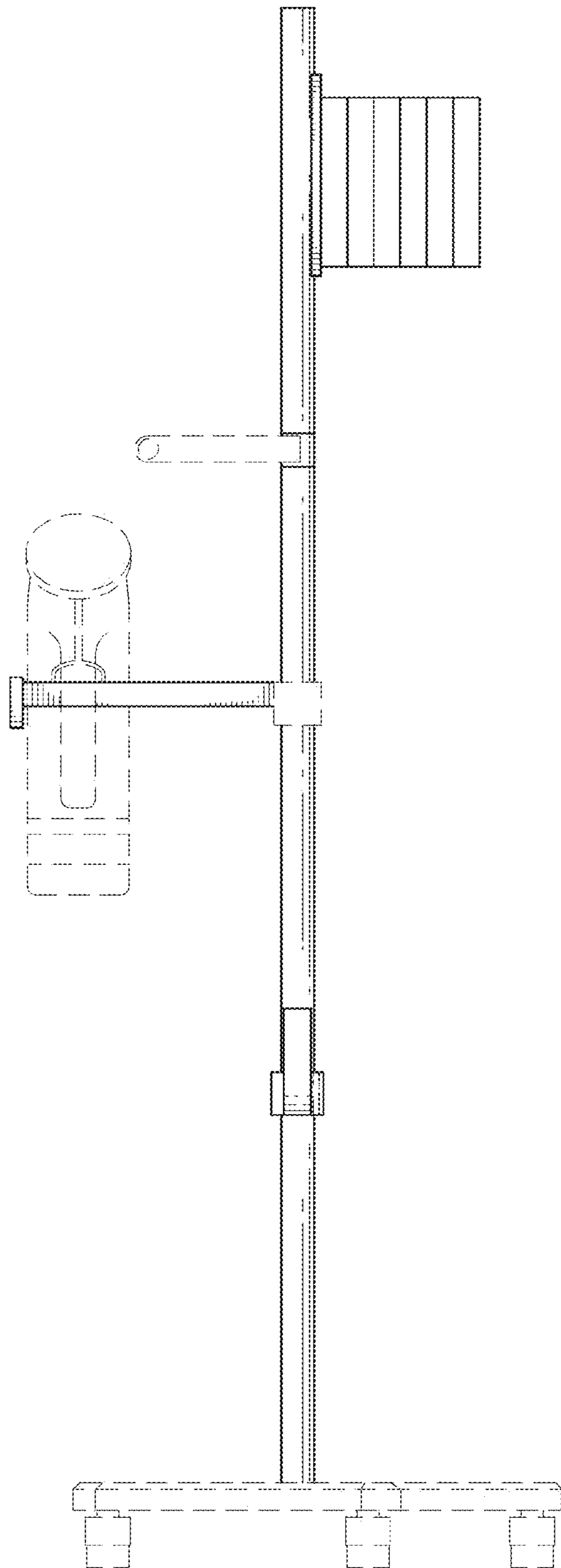


FIG. 4

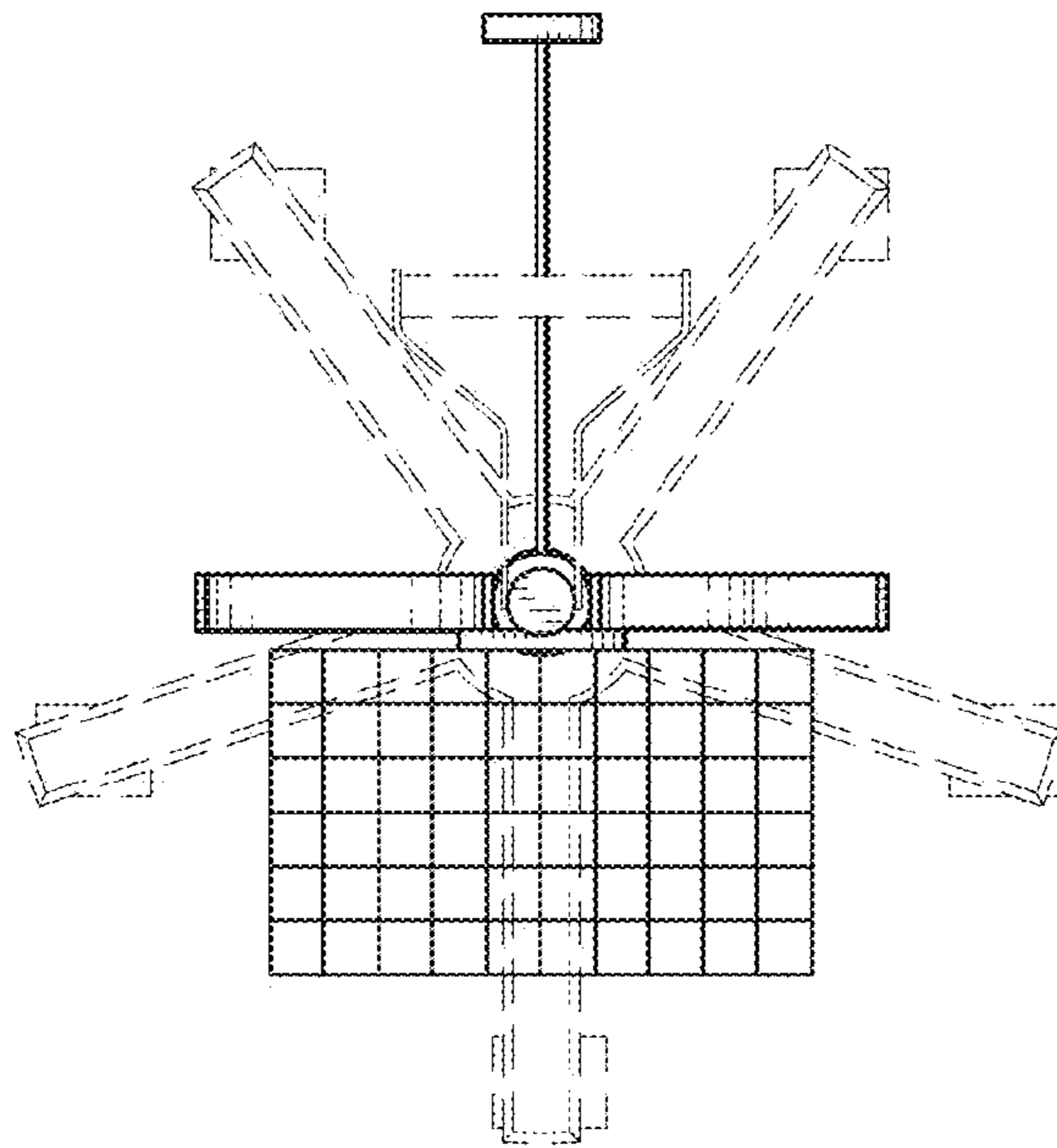


FIG. 5

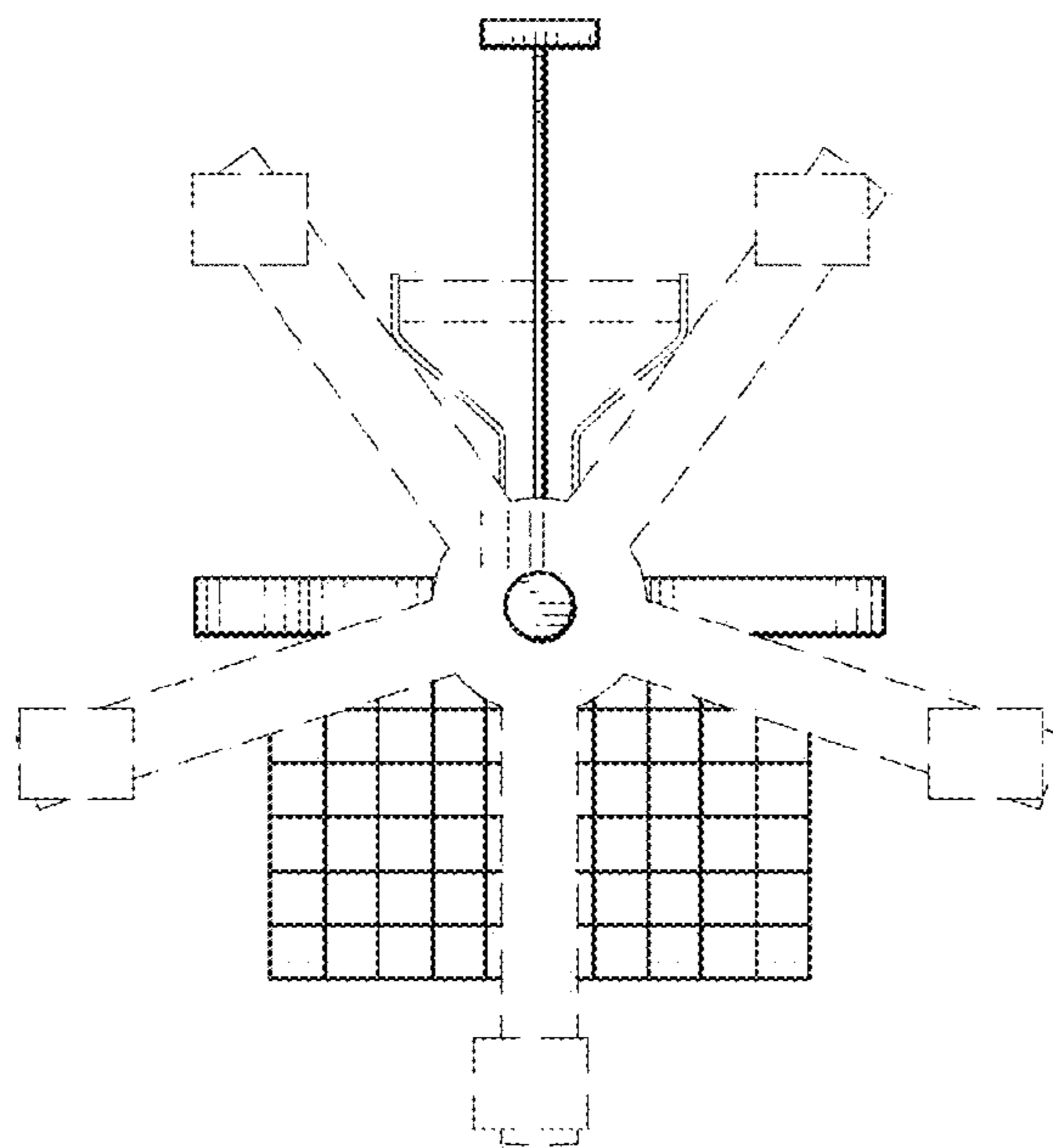


FIG. 6

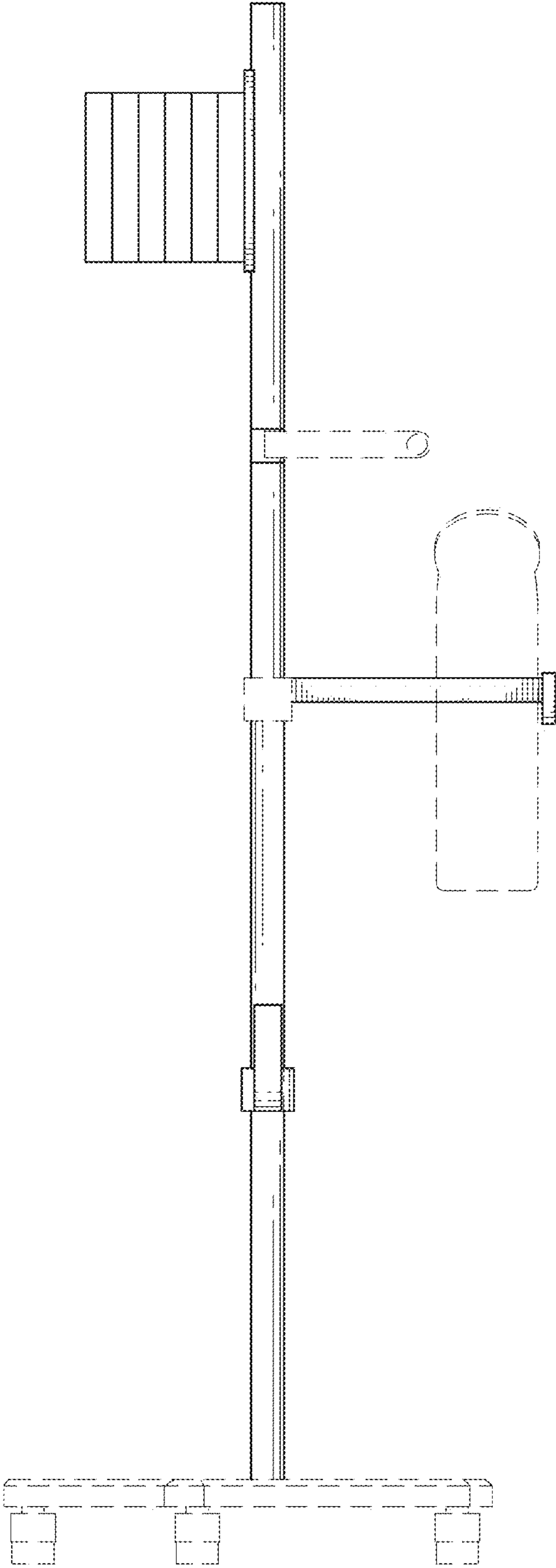


FIG. 7