



US00D720446S

(12) **United States Design Patent**
Ellis

(10) **Patent No.:** **US D720,446 S**

(45) **Date of Patent:** **** Dec. 30, 2014**

(54) **APPARATUS FOR REDUCING THE GROWTH OF MICROBIAL CONTAMINATION IN AN AIR-HANDLING UNIT**

D703,308 S * 4/2014 Peterson et al. D23/411
2011/0268567 A1* 11/2011 Ching 415/213.1

* cited by examiner

(71) Applicant: **RGF Environmental Group, Inc.**,
Riviera Beach, FL (US)

Primary Examiner — David Muller

(74) *Attorney, Agent, or Firm* — Rothwell, Figg, Ernst & Manbeck, P.C.

(72) Inventor: **Walter B. Ellis**, Jupiter, FL (US)

(57) **CLAIM**

The ornamental design for an apparatus for reducing the growth of microbial contamination in an air-handling unit, as shown and described.

(73) Assignee: **RGF Environmental Group, Inc.**,
Riviera Beach, FL (US)

DESCRIPTION

(**) Term: **14 Years**

(21) Appl. No.: **29/443,996**

FIG. 1 is a top right front perspective view of an apparatus for reducing the growth of microbial contamination in an air-handling unit showing an embodiment of my new design.

(22) Filed: **Jan. 24, 2013**

FIG. 2 is a top right front perspective view of the apparatus as shown in FIG. 1.

(51) **LOC (10) Cl.** **23-04**

FIG. 3 is a right side view of the apparatus as shown in FIG. 1.

(52) **U.S. Cl.**

USPC **D23/355**

FIG. 4 is a front view of the apparatus as shown in FIG. 1.

(58) **Field of Classification Search**

USPC D23/355–366, 352, 369, 332, 333, 335, D23/336, 342, 351, 328, 370, 378, 379; 422/120, 122; 55/356, 473, 504; 96/97; 261/DIG. 17, DIG. 65, DIG. 88, DIG. 31

See application file for complete search history.

FIG. 5 is a left side view of the apparatus as shown in FIG. 1.

FIG. 6 is a top view of the apparatus as shown in FIG. 1.

FIG. 7 is a rear view of the apparatus as shown in FIG. 1.

FIG. 8 is a bottom view of the apparatus as shown in FIG. 1.

FIG. 9 is a top right front perspective view of the apparatus as shown in FIG. 1 with unclaimed environmental structure.

FIG. 10 is a bottom rear perspective view of the apparatus as shown in FIG. 1 with unclaimed environmental structure.

FIG. 11 is a right side view of the apparatus as shown in FIG. 1 with unclaimed environmental structure; and,

FIG. 12 is a bottom right rear perspective view of the apparatus as shown in FIG. 1 with unclaimed environmental structure.

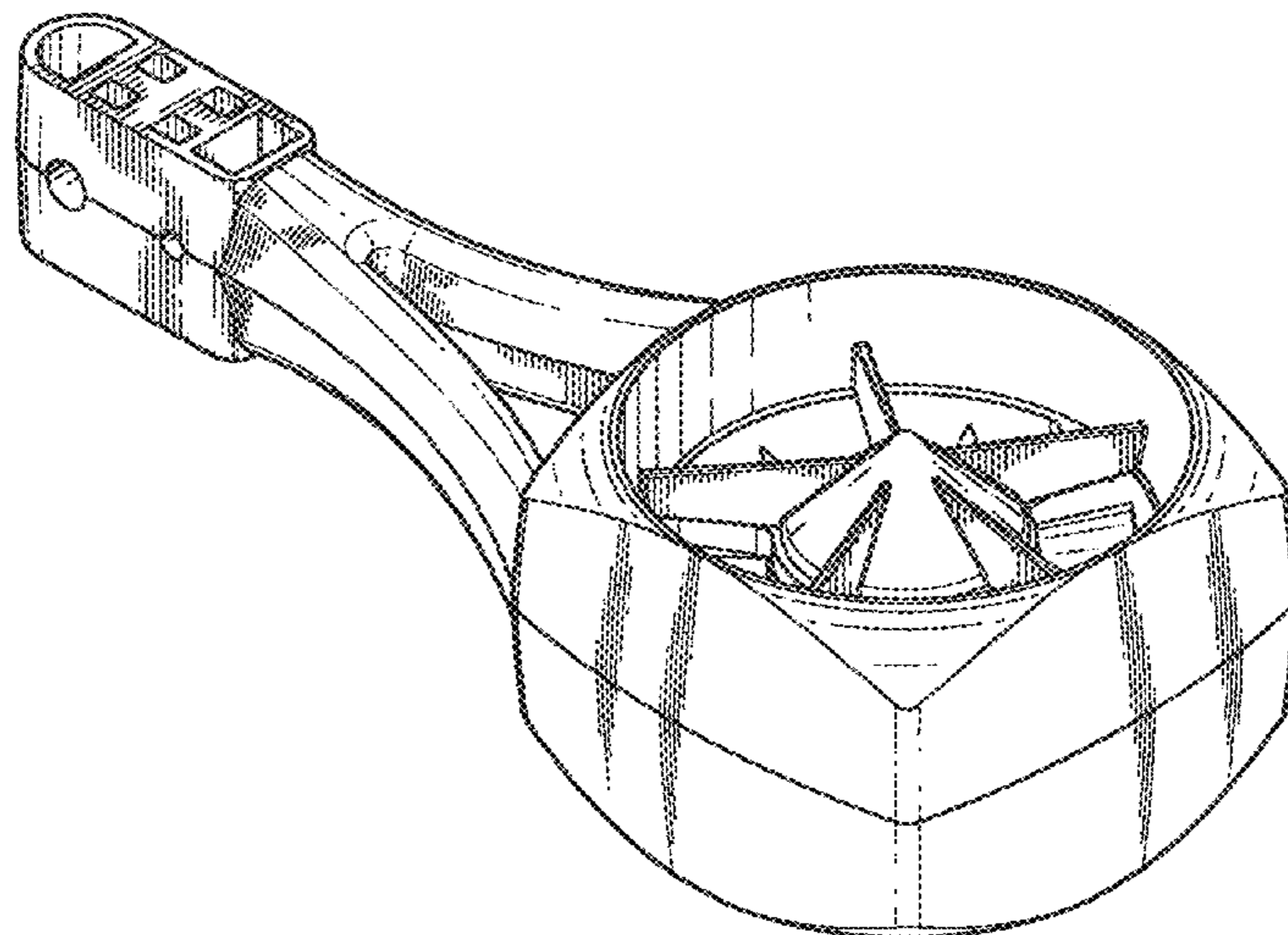
The broken lines shown in the drawings are for illustrating the environment for an apparatus for reducing the growth of microbial contamination in an air-handling unit and form no part of the claimed design. The shading lines shown in the drawings represent the three dimensional contour of the design and are not intended to indicate surface decoration.

(56) **References Cited**

U.S. PATENT DOCUMENTS

D257,491 S *	11/1980	Cousins	D28/13
4,876,436 A *	10/1989	Ide et al.	392/360
D314,617 S *	2/1991	Yuen	D23/370
D352,775 S *	11/1994	Radtke, Jr.	D23/382
D529,166 S *	9/2006	Geringer	D23/379
D544,078 S *	6/2007	Geringer	D23/328
D553,227 S *	10/2007	Chen	D23/328
D676,536 S *	2/2013	Roach et al.	D23/328
D678,993 S *	3/2013	Kung-Hua	D23/370
D687,533 S *	8/2013	Tang et al.	D23/370
D703,304 S *	4/2014	Herbst	D23/379

1 Claim, 8 Drawing Sheets



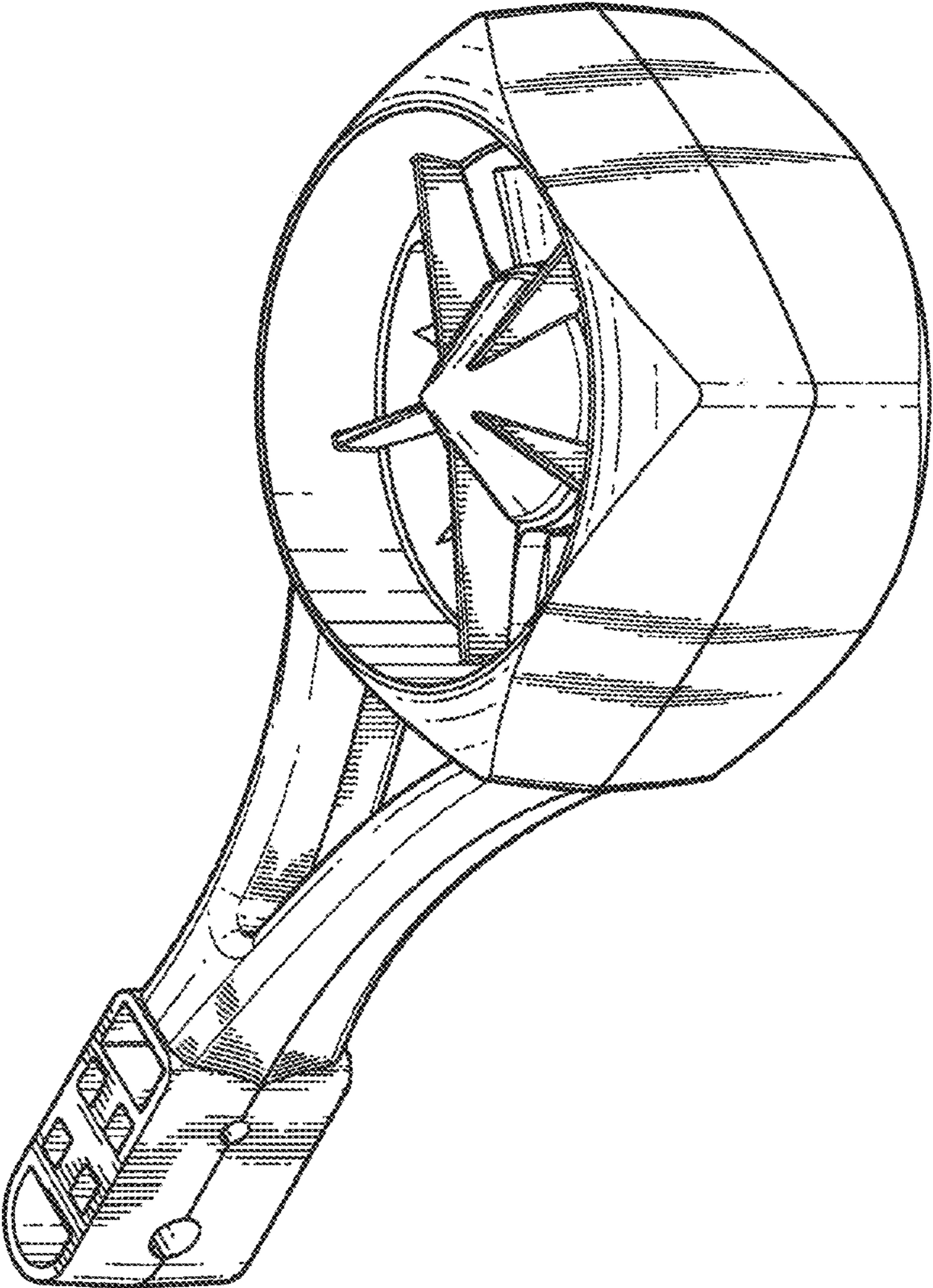


FIG. 1

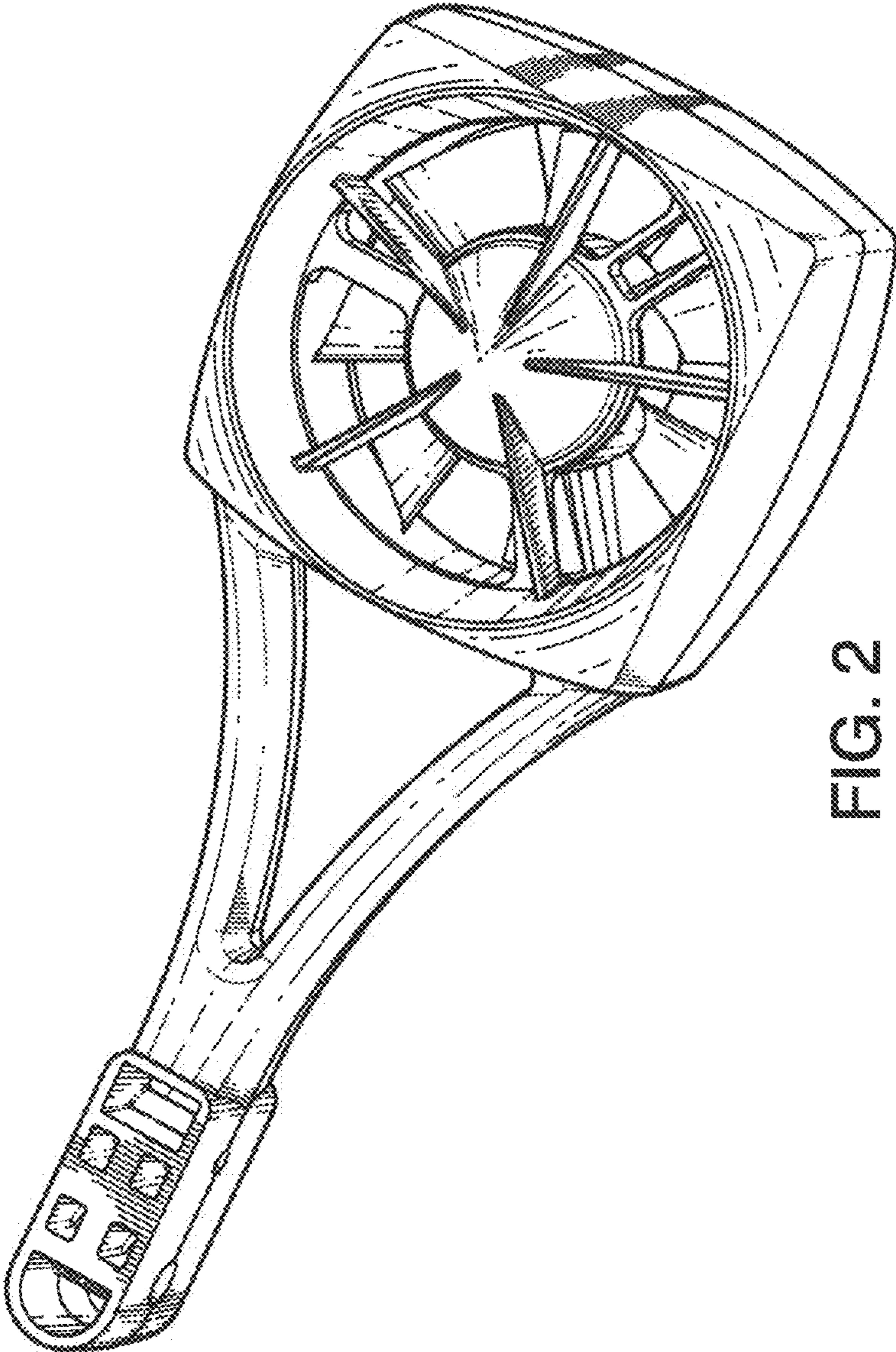


FIG. 2

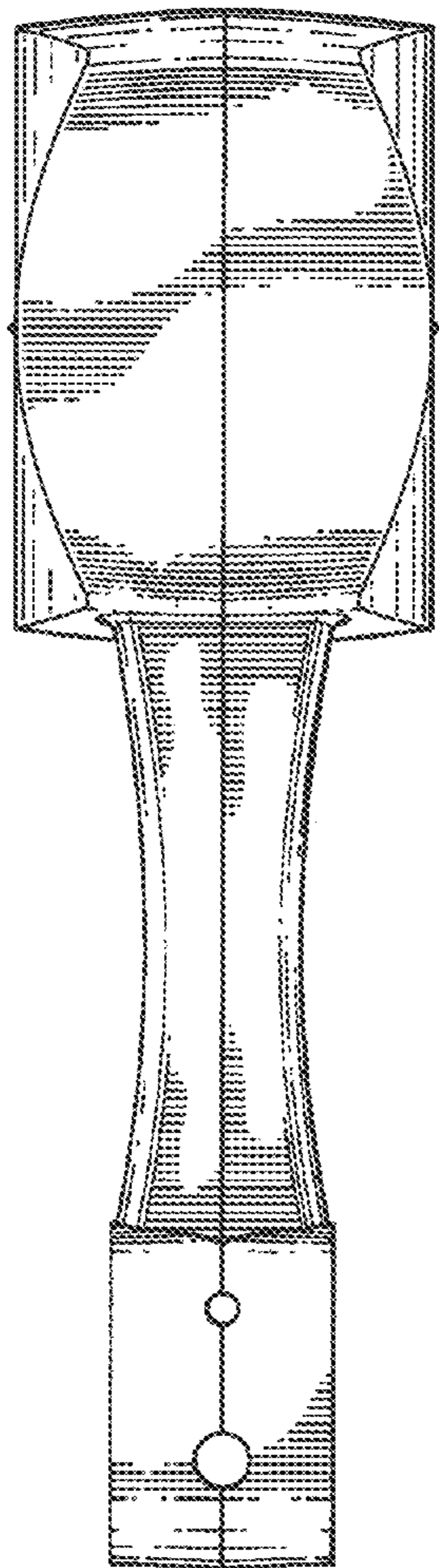


FIG. 3

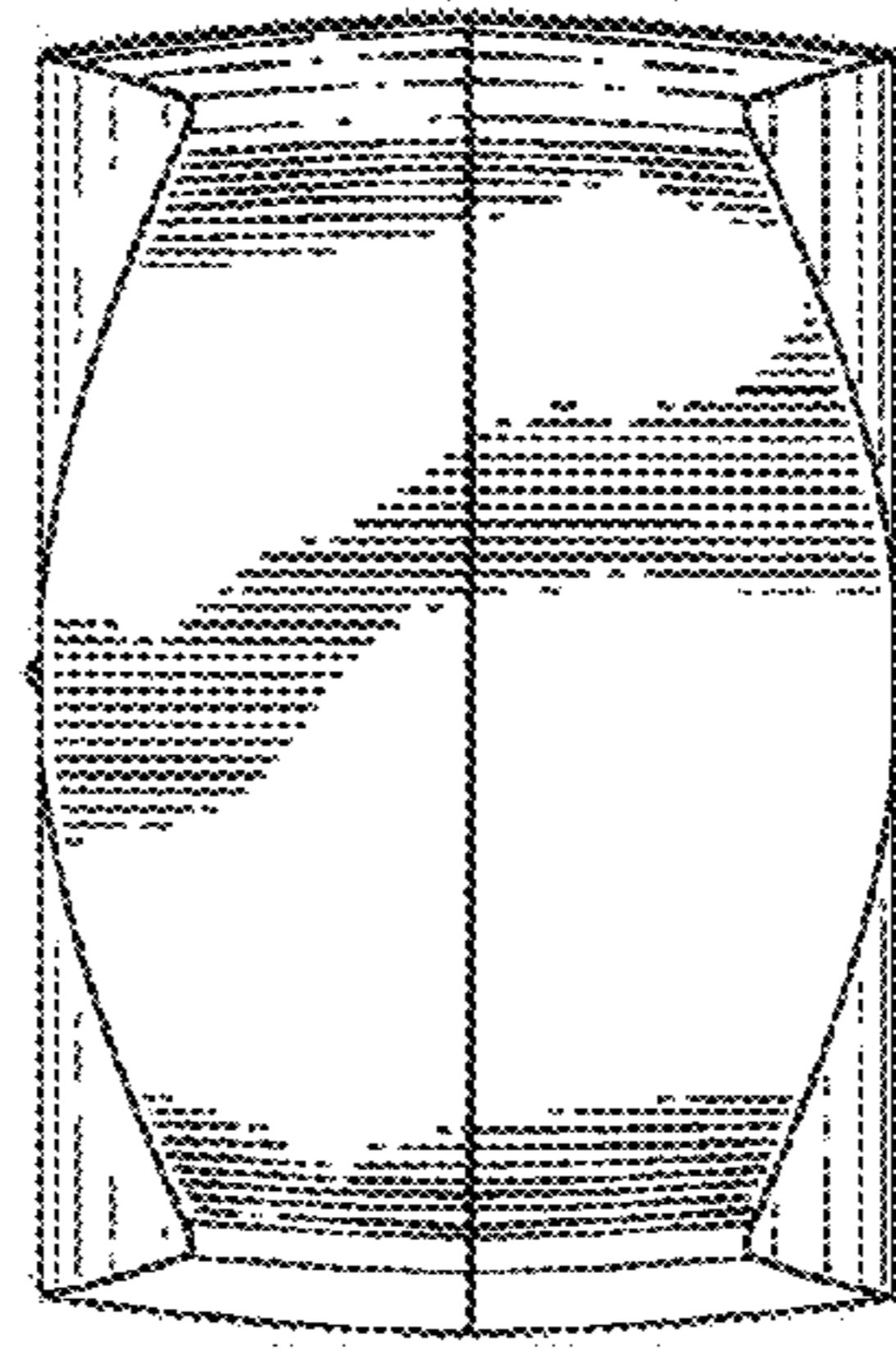


FIG. 4

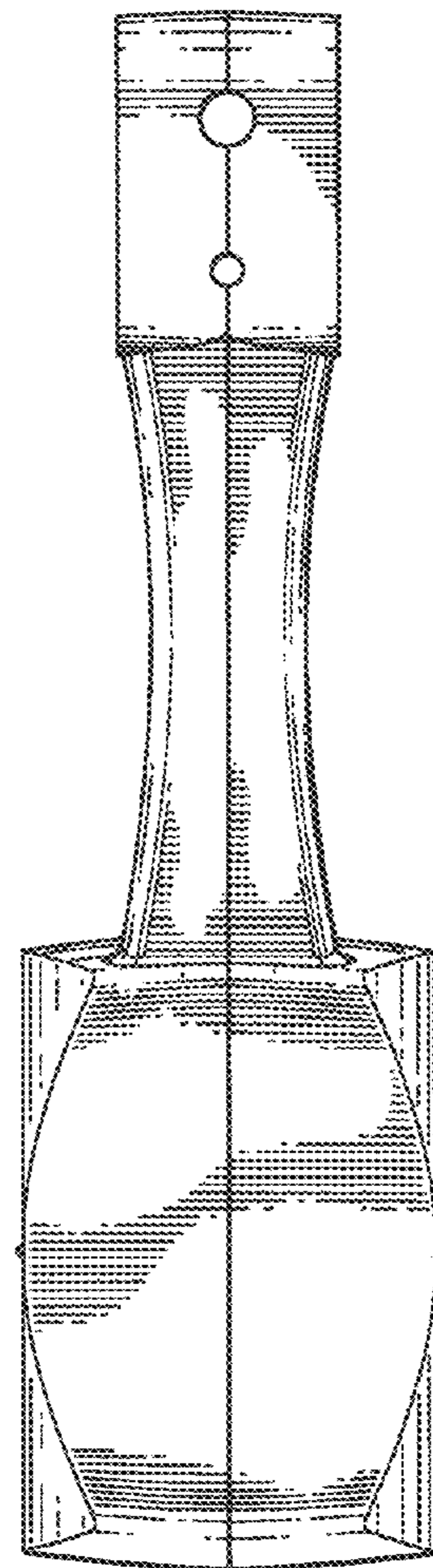


FIG. 5

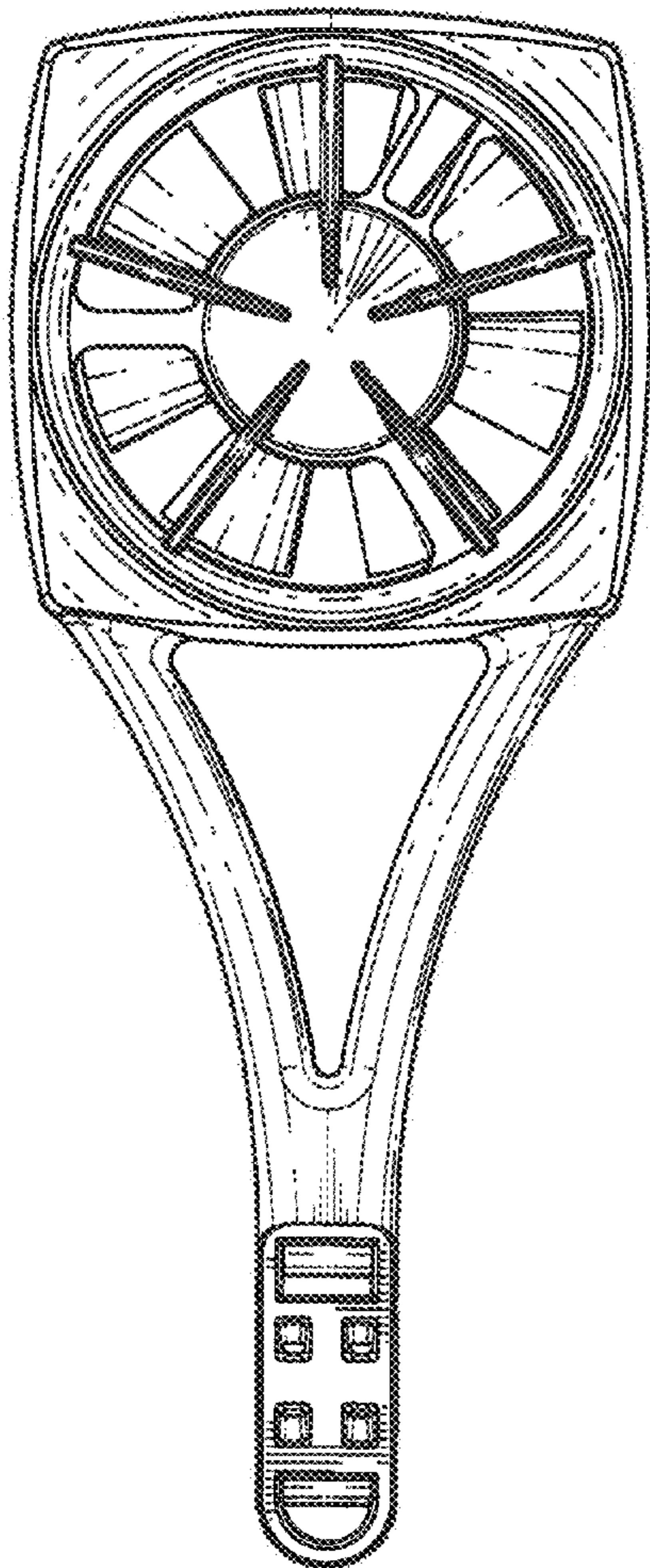


FIG. 6

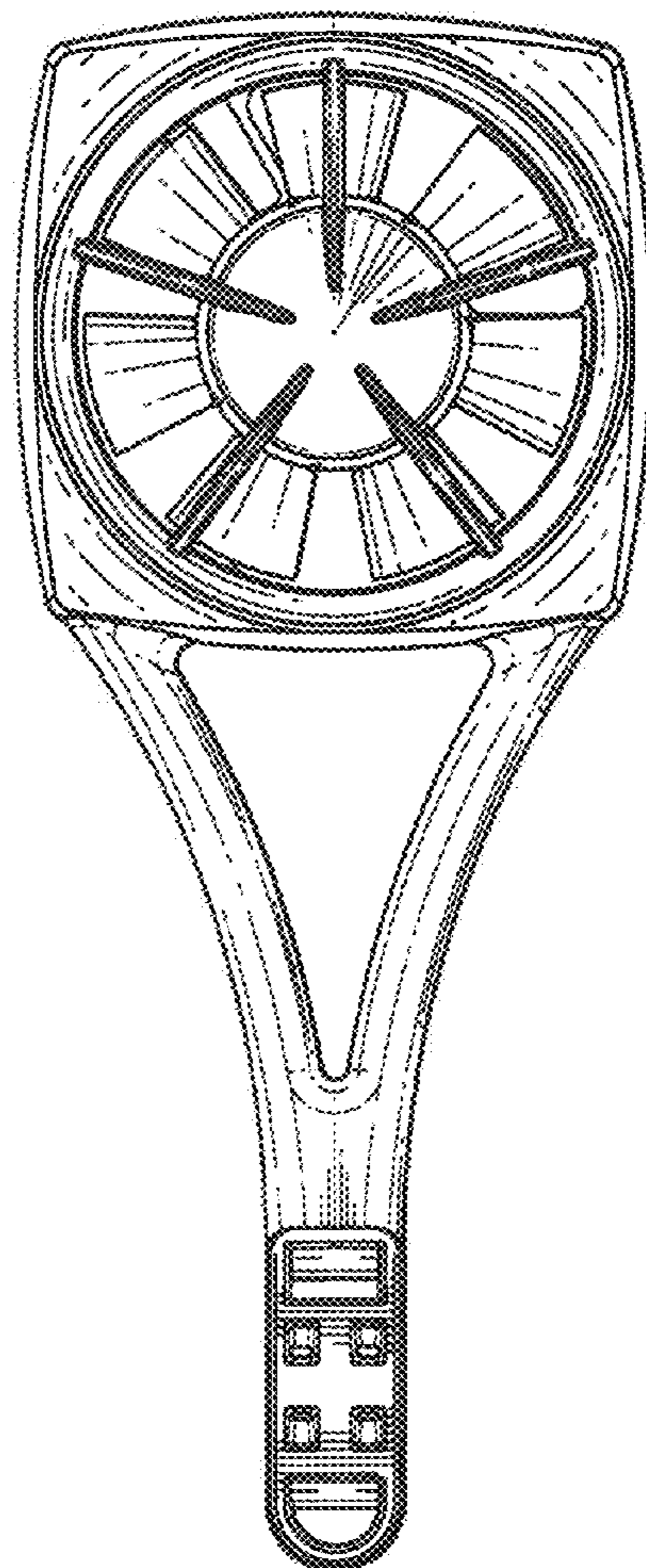


FIG. 8

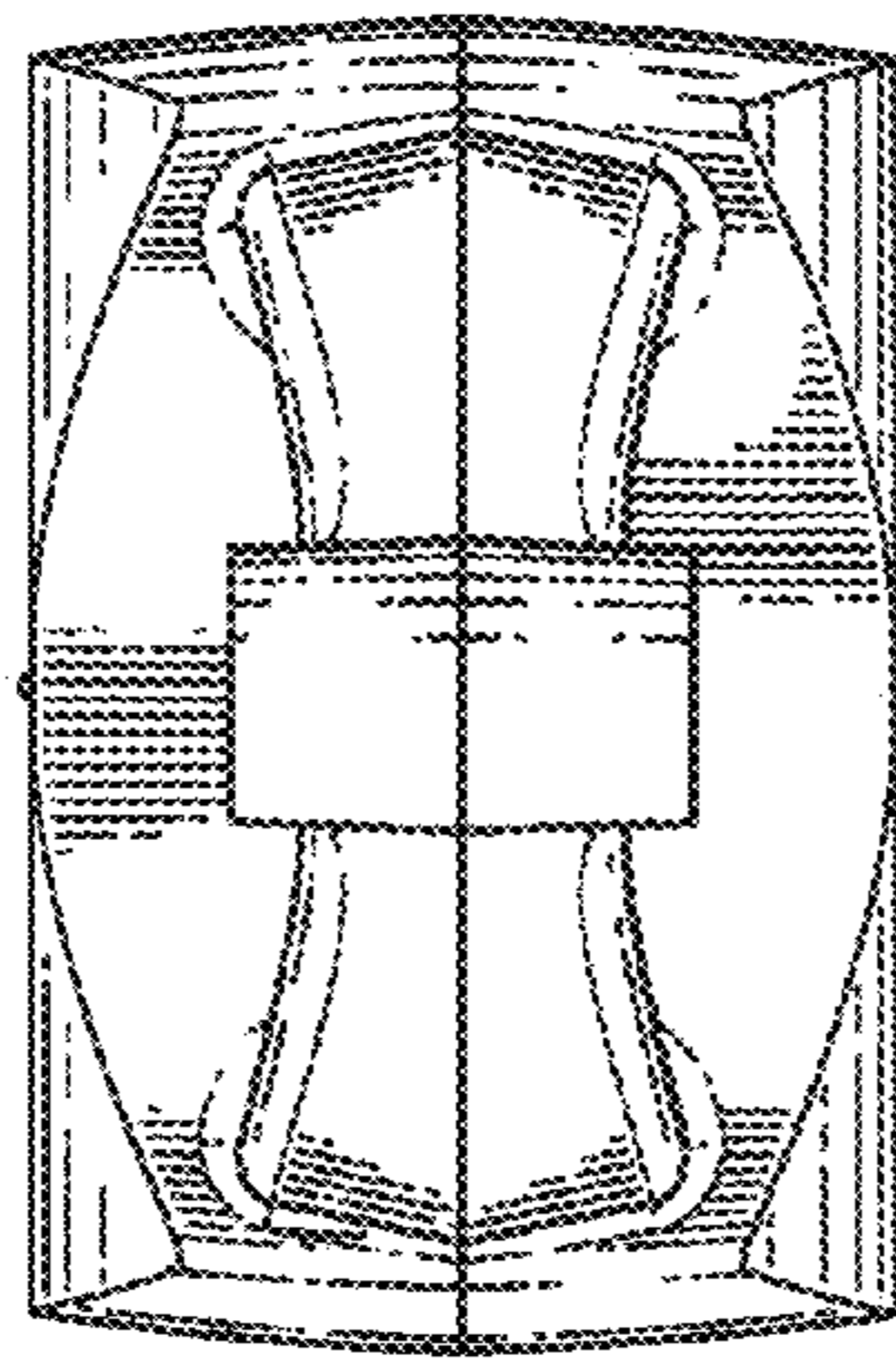


FIG. 7

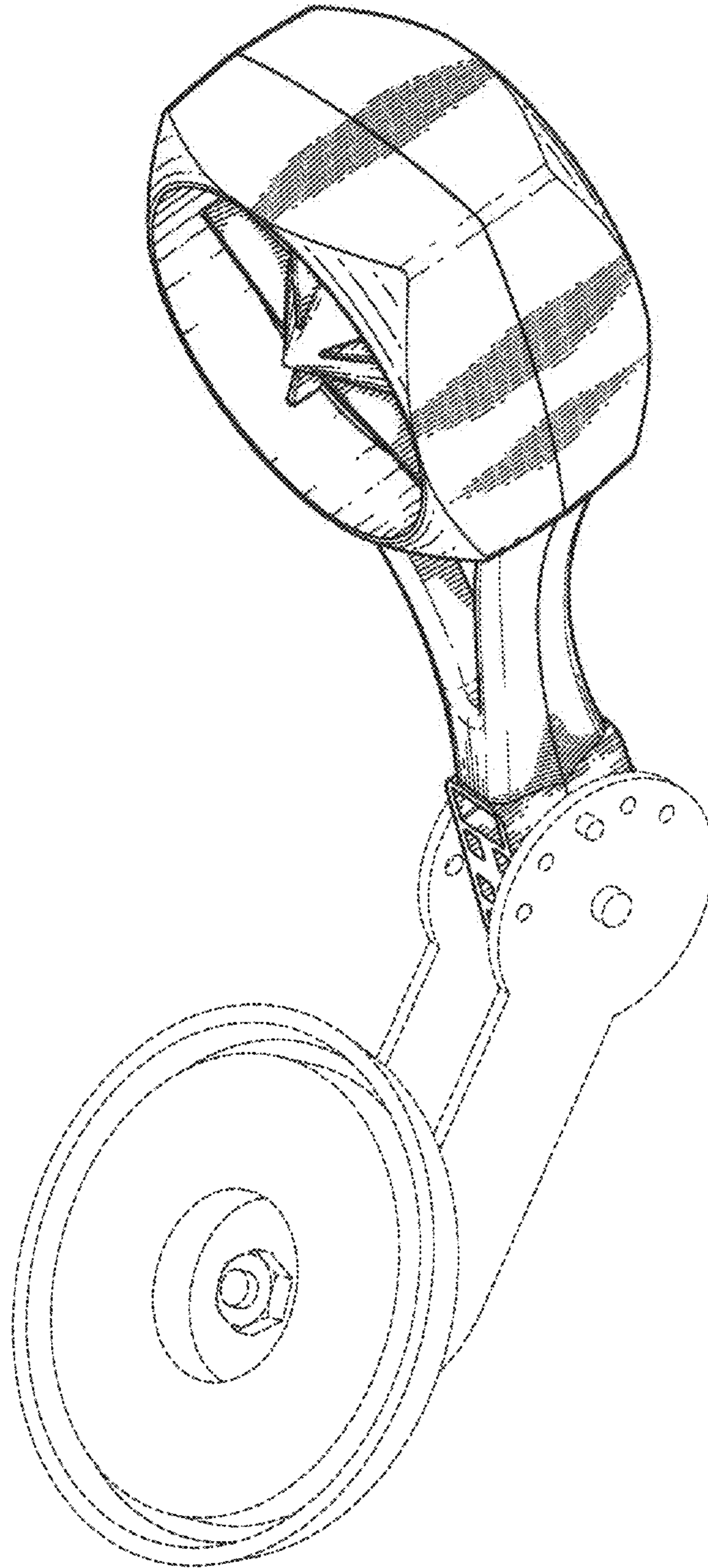


FIG. 9

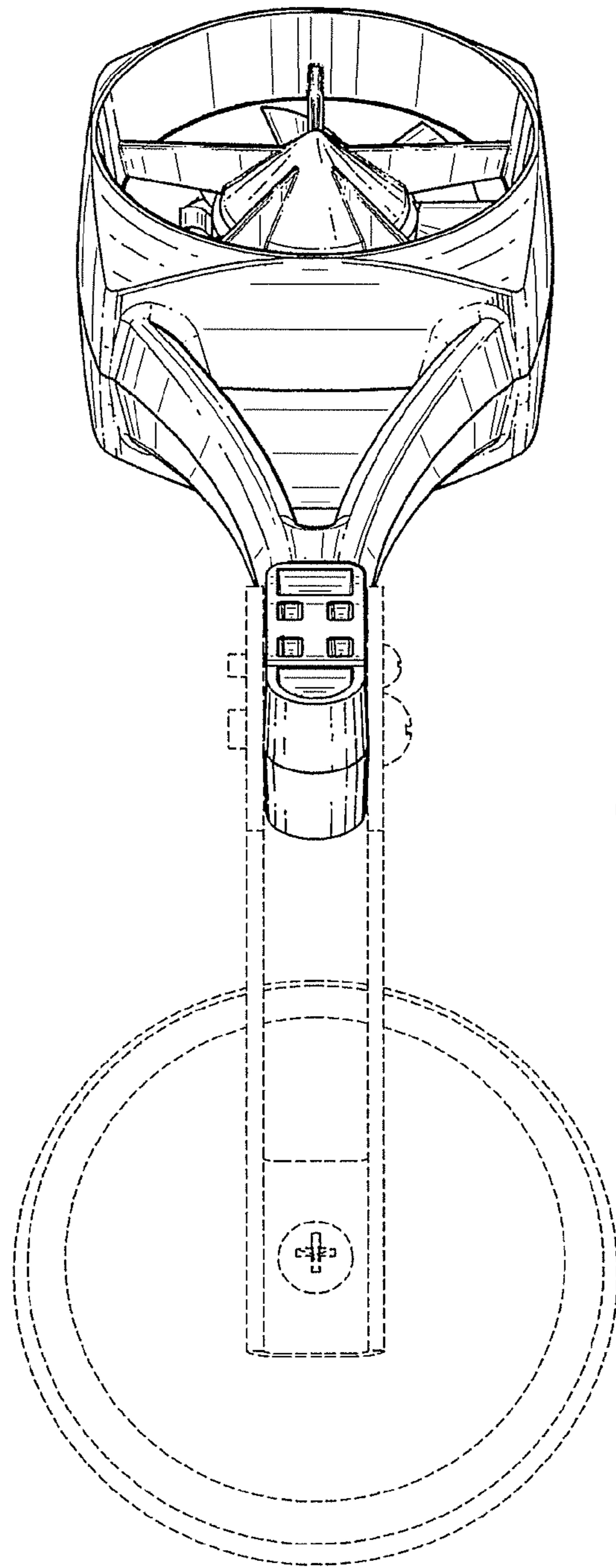
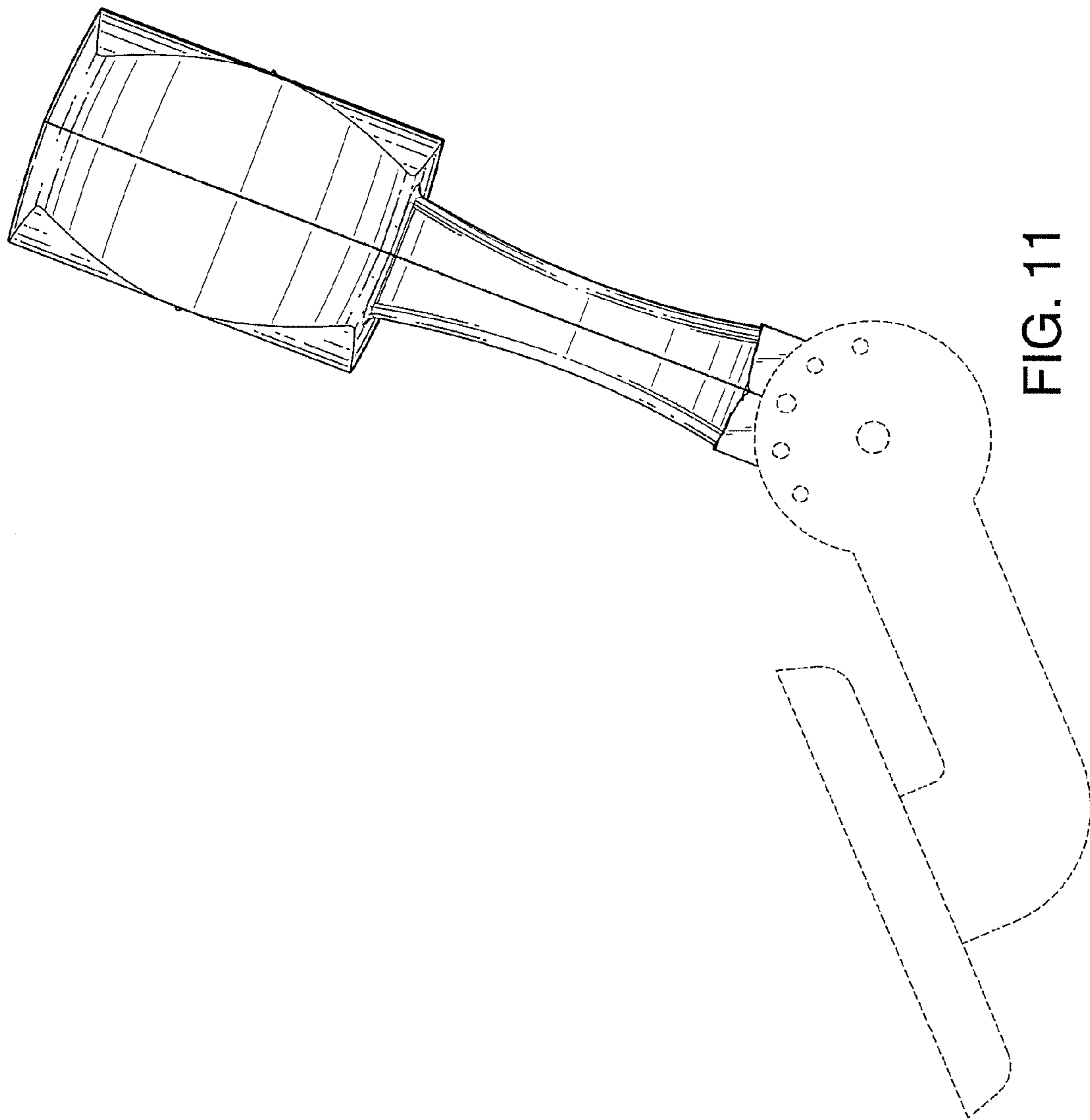


FIG. 10



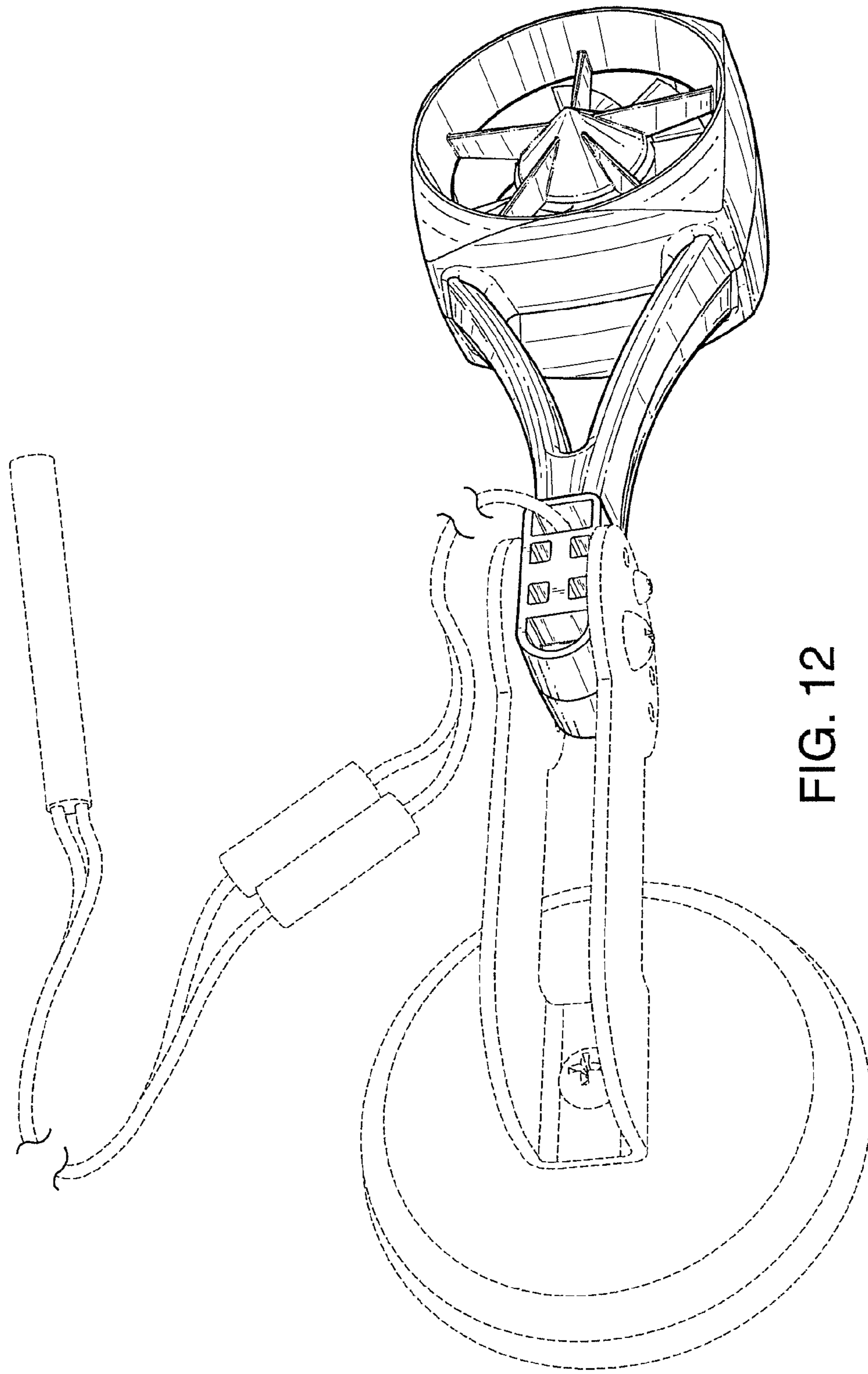


FIG. 12