



US00D720443S

(12) **United States Design Patent**  
**Kosuge**

(10) **Patent No.:** **US D720,443 S**

(45) **Date of Patent:** **\*\* Dec. 30, 2014**

(54) **AIR CONDITIONER**

(71) Applicant: **Hiroyasu Kosuge**, Kusatsu (JP)

(72) Inventor: **Hiroyasu Kosuge**, Kusatsu (JP)

(73) Assignee: **Daikin Industries Ltd.**, Osaka-Shi,  
Osaka-Fu (JP)

(\*\*) Term: **14 Years**

(21) Appl. No.: **29/494,334**

(22) Filed: **Jun. 19, 2014**

(51) **LOC (10) Cl.** ..... **23-04**

(52) **U.S. Cl.**  
USPC ..... **D23/351**

(58) **Field of Classification Search**  
USPC ..... D23/351-354, 385, 388; 312/236;  
62/259.1, 259.4, 262-263, 304;  
454/330-331, 349-350

See application file for complete search history.

(56) **References Cited**

**U.S. PATENT DOCUMENTS**

D539,888 S \* 4/2007 Tsuji ..... D23/351  
D553,727 S \* 10/2007 Kato et al. .... D23/351  
D606,641 S \* 12/2009 Kim et al. .... D23/351

D616,082 S \* 5/2010 Tsuji ..... D23/351  
D621,491 S \* 8/2010 Tsuji ..... D23/351  
D683,837 S \* 6/2013 Kim et al. .... D23/351  
D706,404 S \* 6/2014 Tsuji ..... D23/351  
D709,170 S \* 7/2014 Tsuji ..... D23/351

\* cited by examiner

*Primary Examiner* — Brian N Vinson

(74) *Attorney, Agent, or Firm* — Manabu Kanesaka

(57) **CLAIM**

The ornamental design for an air conditioner, as shown and described.

**DESCRIPTION**

FIG. 1 is a perspective view of an air conditioner showing my new design;

FIG. 2 is a front view thereof;

FIG. 3 is a rear view thereof;

FIG. 4 is a plan view thereof;

FIG. 5 is a bottom view thereof;

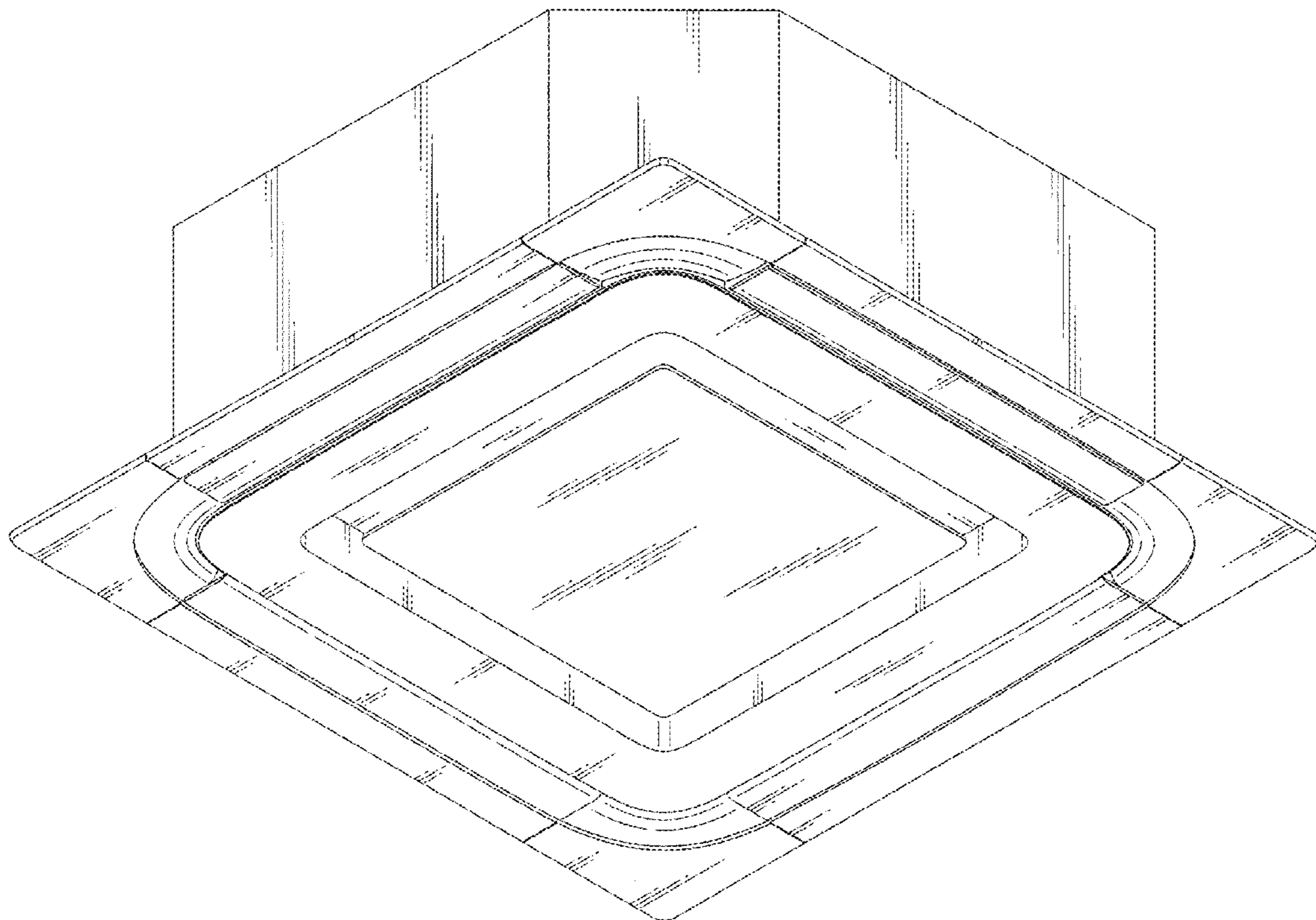
FIG. 6 is a left side view thereof;

FIG. 7 is a right side view thereof; and,

FIG. 8 is a cross-sectional view thereof along the line 8-8 in FIG. 2.

The broken lines depict portions of the air conditioner that form no part of claimed design.

**1 Claim, 6 Drawing Sheets**



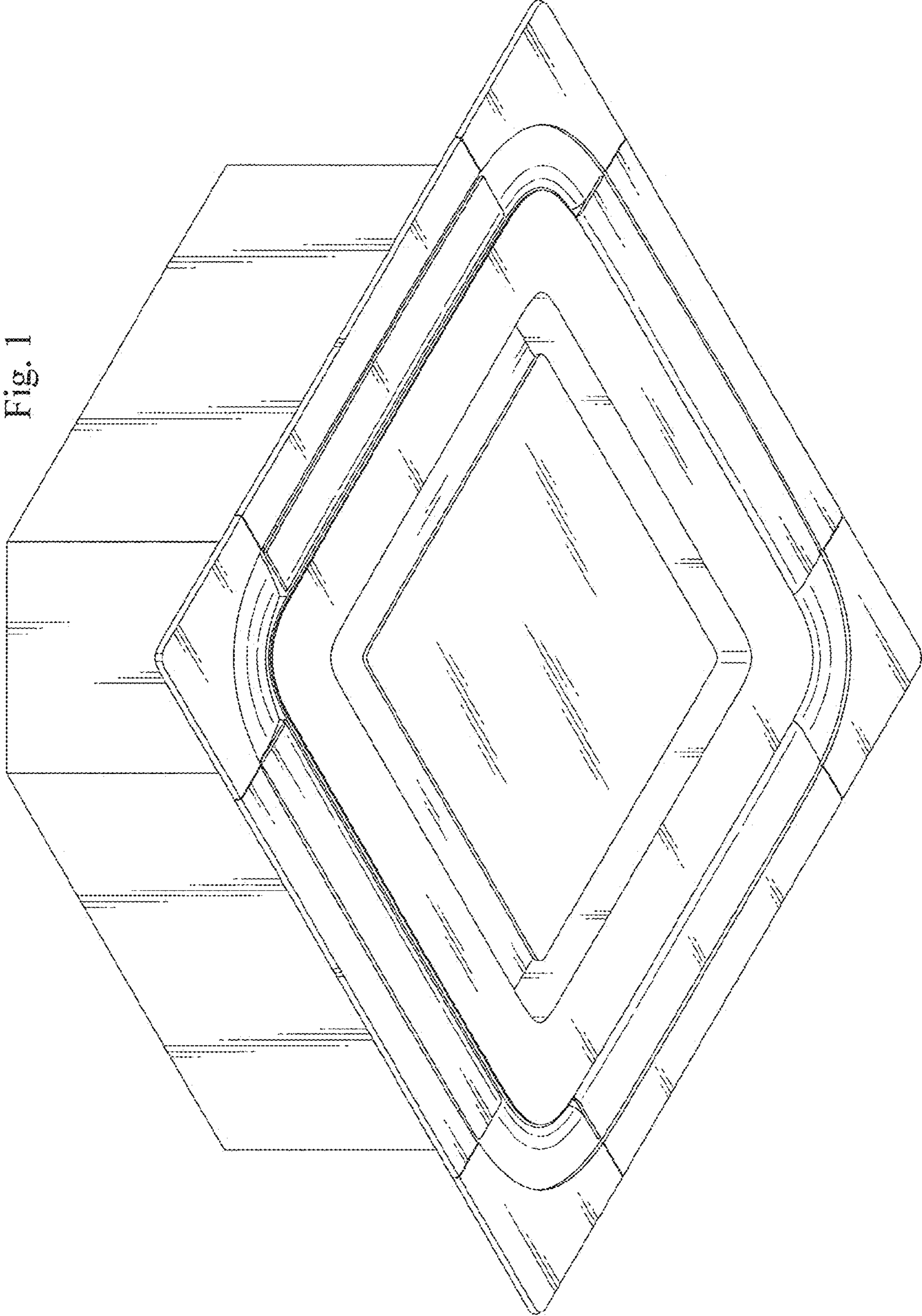


Fig. 1

Fig. 2

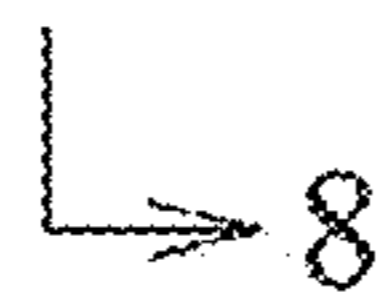
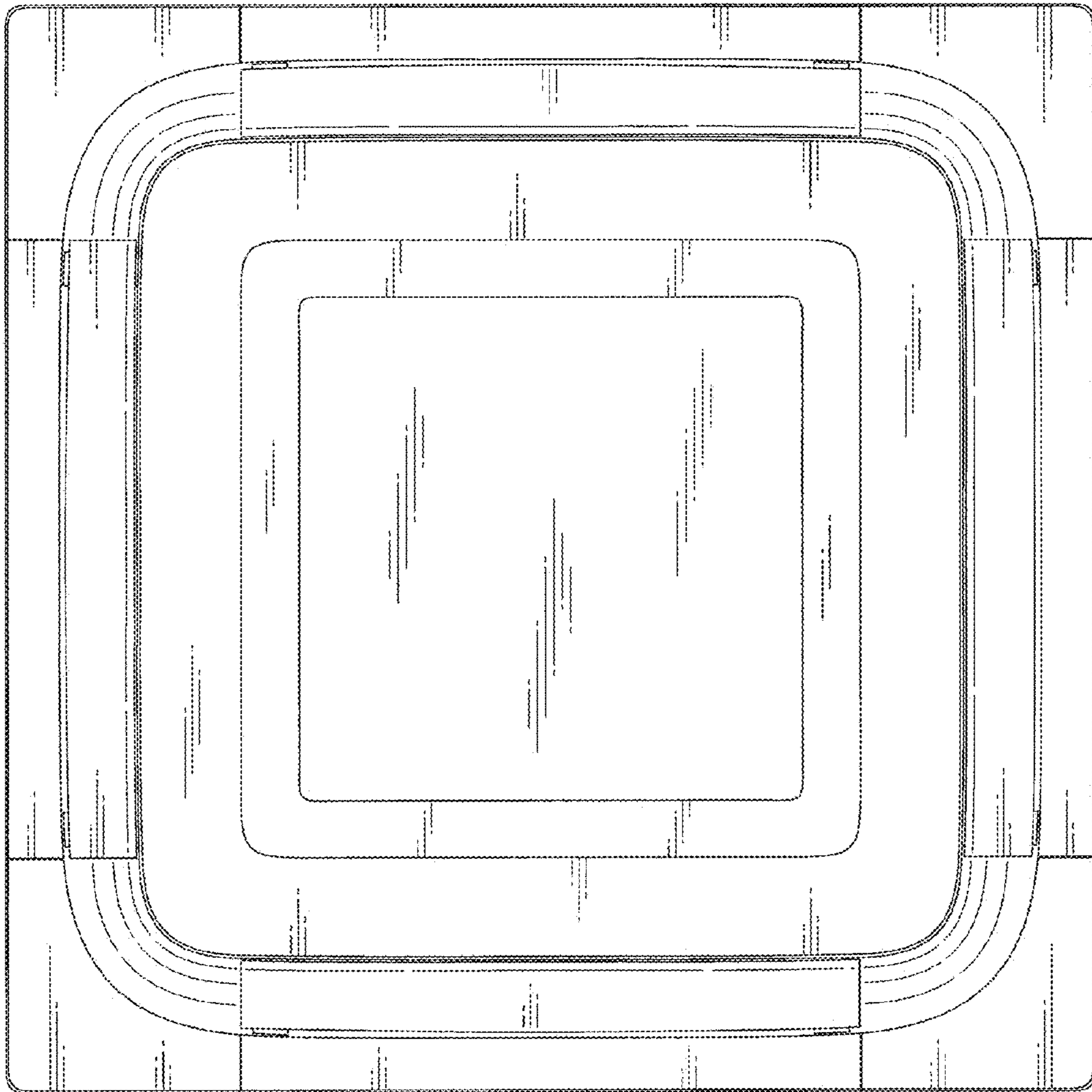
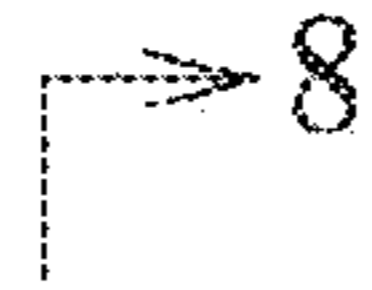


Fig. 3

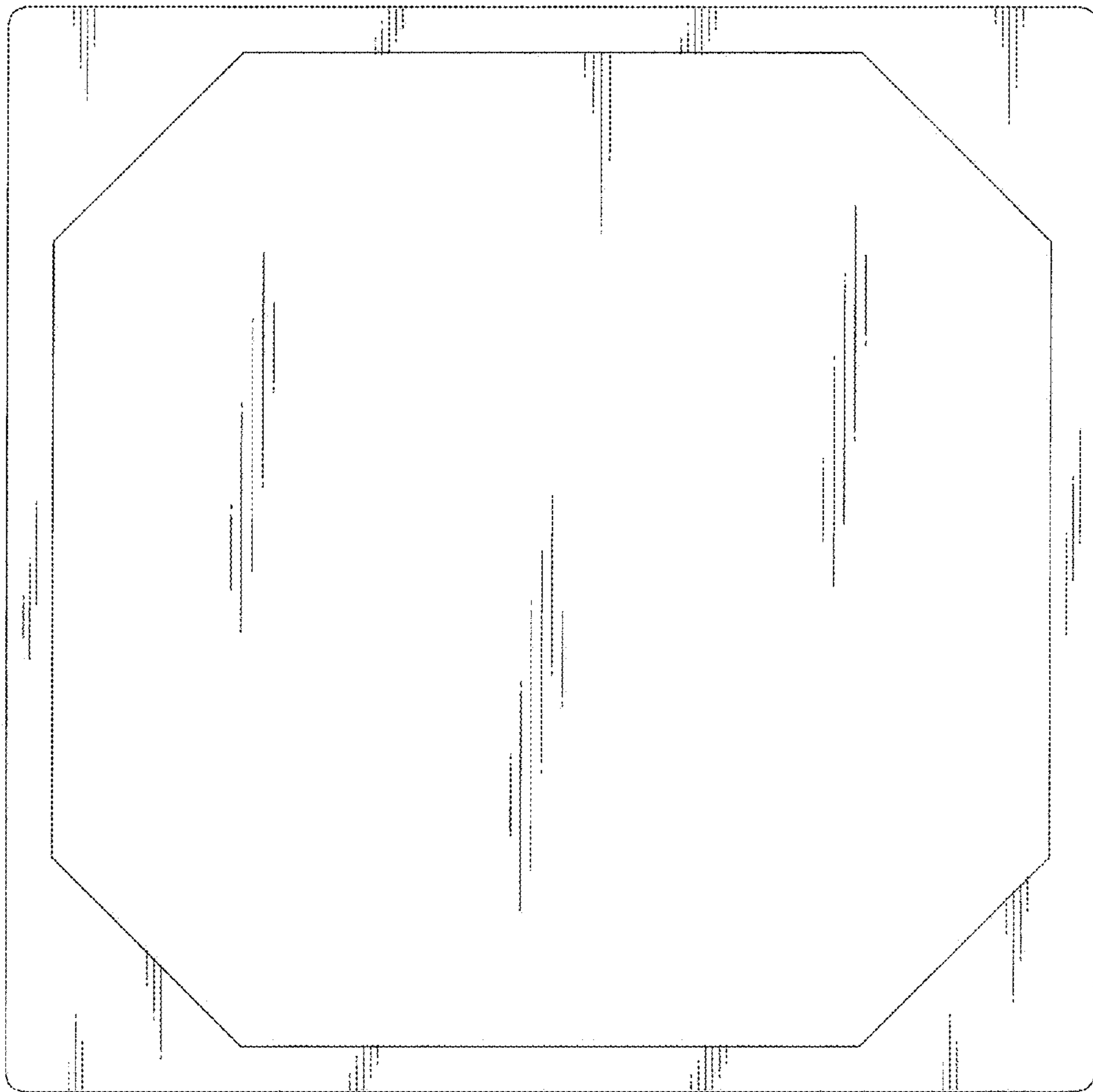


Fig. 4

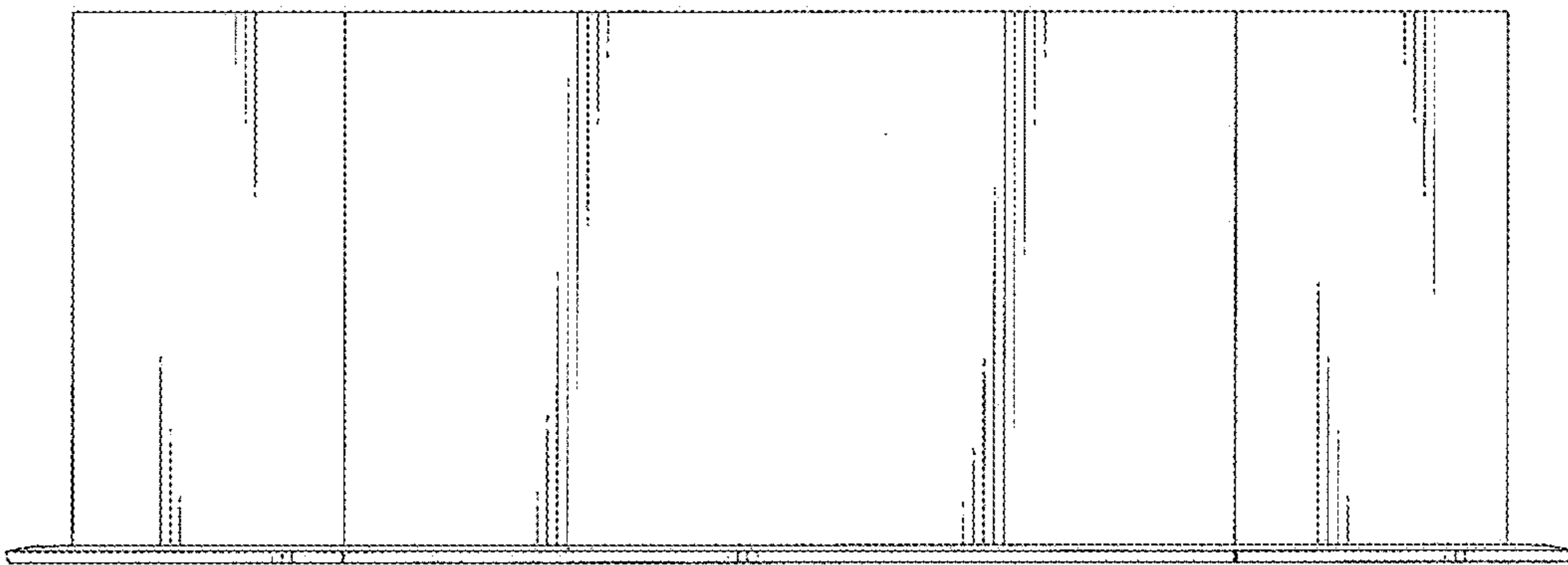


Fig. 5

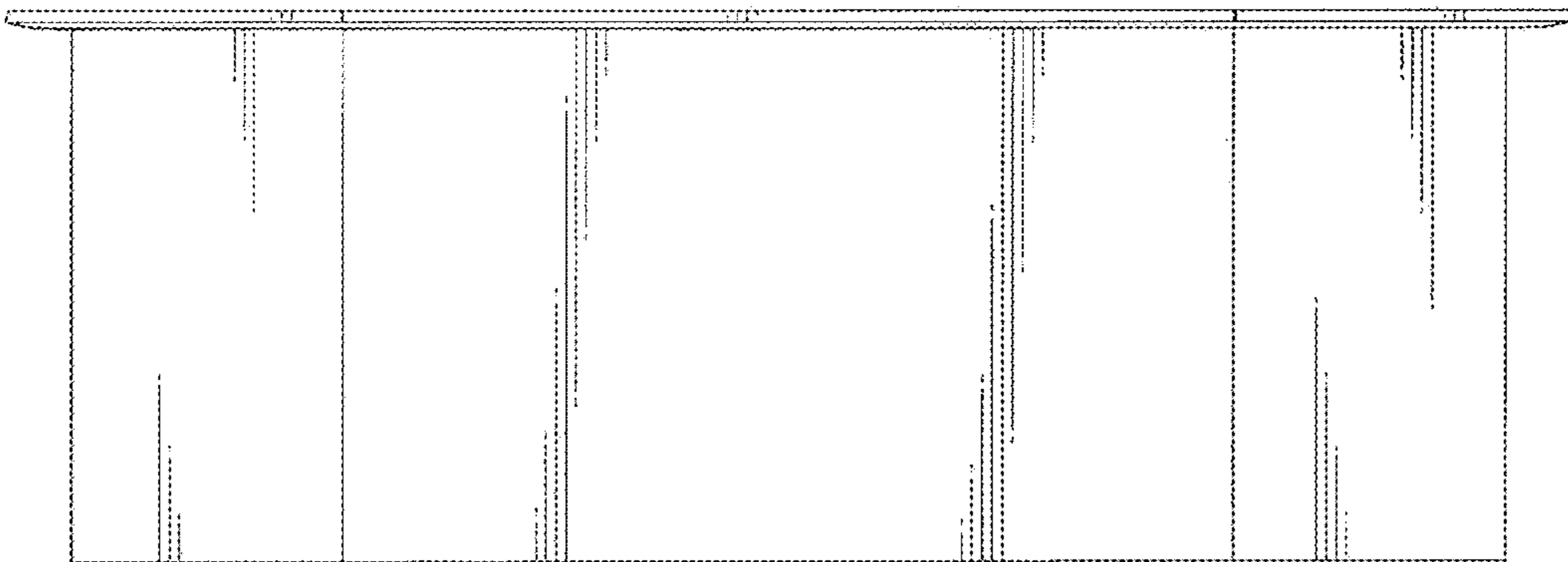


Fig. 6

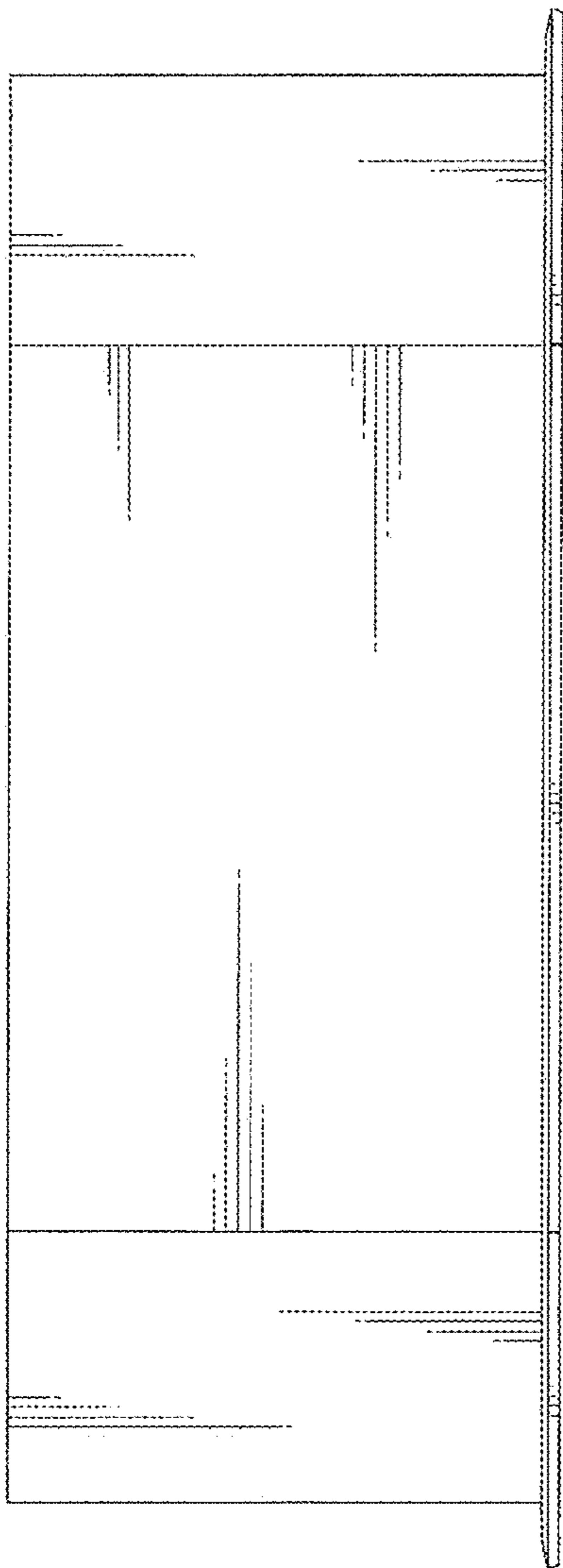


Fig. 7

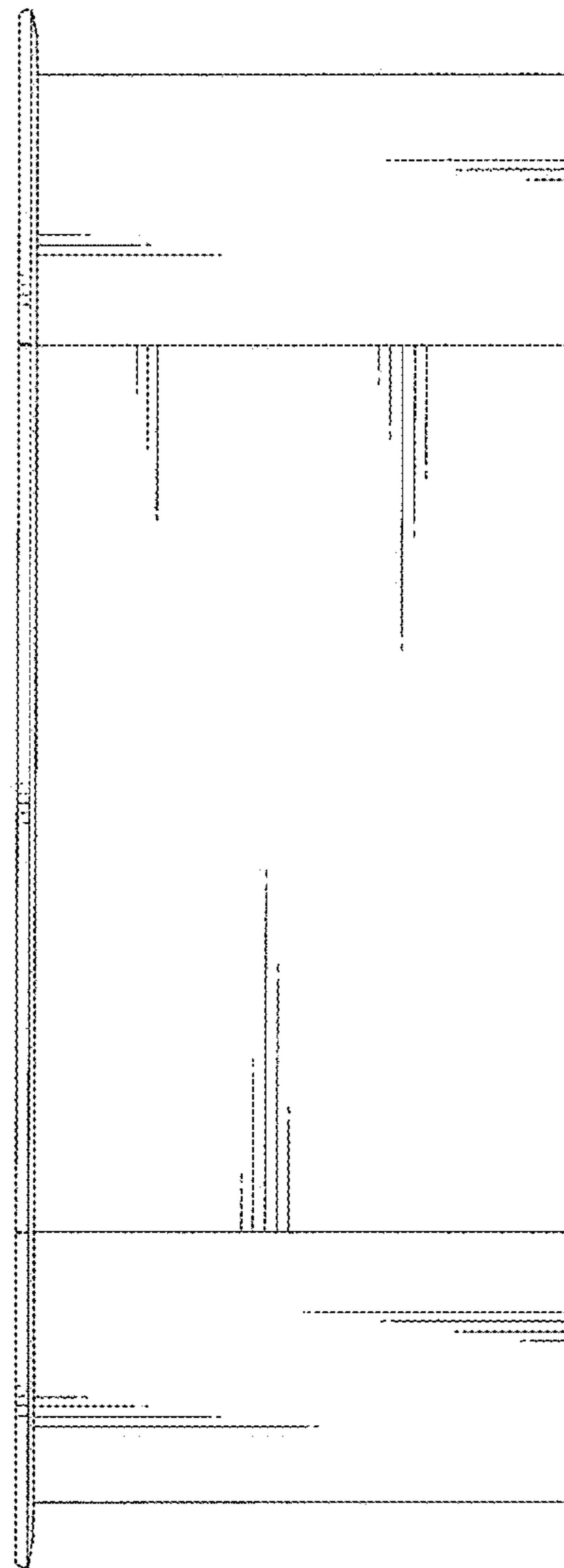


Fig. 8

