



US00D720439S

(12) **United States Design Patent**
Wagner et al.

(10) **Patent No.:** **US D720,439 S**

(45) **Date of Patent:** **** Dec. 30, 2014**

(54) **SHOE FOR RAISED TOILET SEAT ASSEMBLY**

(75) Inventors: **Duane Richard Wagner**, Belle Fourche, SD (US); **Shane Henry Walz**, Sioux Falls, SD (US); **David Donovan Fravel**, Sioux Falls, SD (US)

(73) Assignee: **Apex Medical Corporation**, Sioux Falls, SD (US)

(**) Term: **14 Years**

(21) Appl. No.: **29/431,498**

(22) Filed: **Sep. 7, 2012**

(51) **LOC (10) Cl.** **23-02**

(52) **U.S. Cl.**
USPC **D23/311**

(58) **Field of Classification Search**
USPC D23/303, 309, 311-312, 295;
4/234-241, 252.1, 661; D8/354
See application file for complete search history.

(56) **References Cited**

U.S. PATENT DOCUMENTS

4,213,211 A * 7/1980 Bemis et al. 4/239
4,383,339 A * 5/1983 Miller D23/295
4,477,932 A * 10/1984 Lenosky 4/239

5,027,445 A 7/1991 Locarno
D358,973 S * 6/1995 Spaeth D23/303
D372,964 S * 8/1996 Gryner D23/303
D477,658 S * 7/2003 Love et al. D23/309
6,934,974 B1 * 8/2005 Pantos et al. 4/241
7,127,750 B2 * 10/2006 Lim 4/420.4
7,331,067 B2 * 2/2008 Pantos et al. 4/241

* cited by examiner

Primary Examiner — Robert Delehanty

(74) *Attorney, Agent, or Firm* — Miller Nash LLP; Lance D. Reich; Chandra E. Eidt

(57) **CLAIM**

The ornamental design for a shoe for a raised toilet seat assembly, substantially as shown and described.

DESCRIPTION

FIG. 1 is a depiction of a perspective view of the shoe for a raised toilet seat assembly.

FIG. 2 is a depiction of a top view thereof.

FIG. 3 is a depiction of a front view thereof.

FIG. 4 is a depiction of a side view thereof.

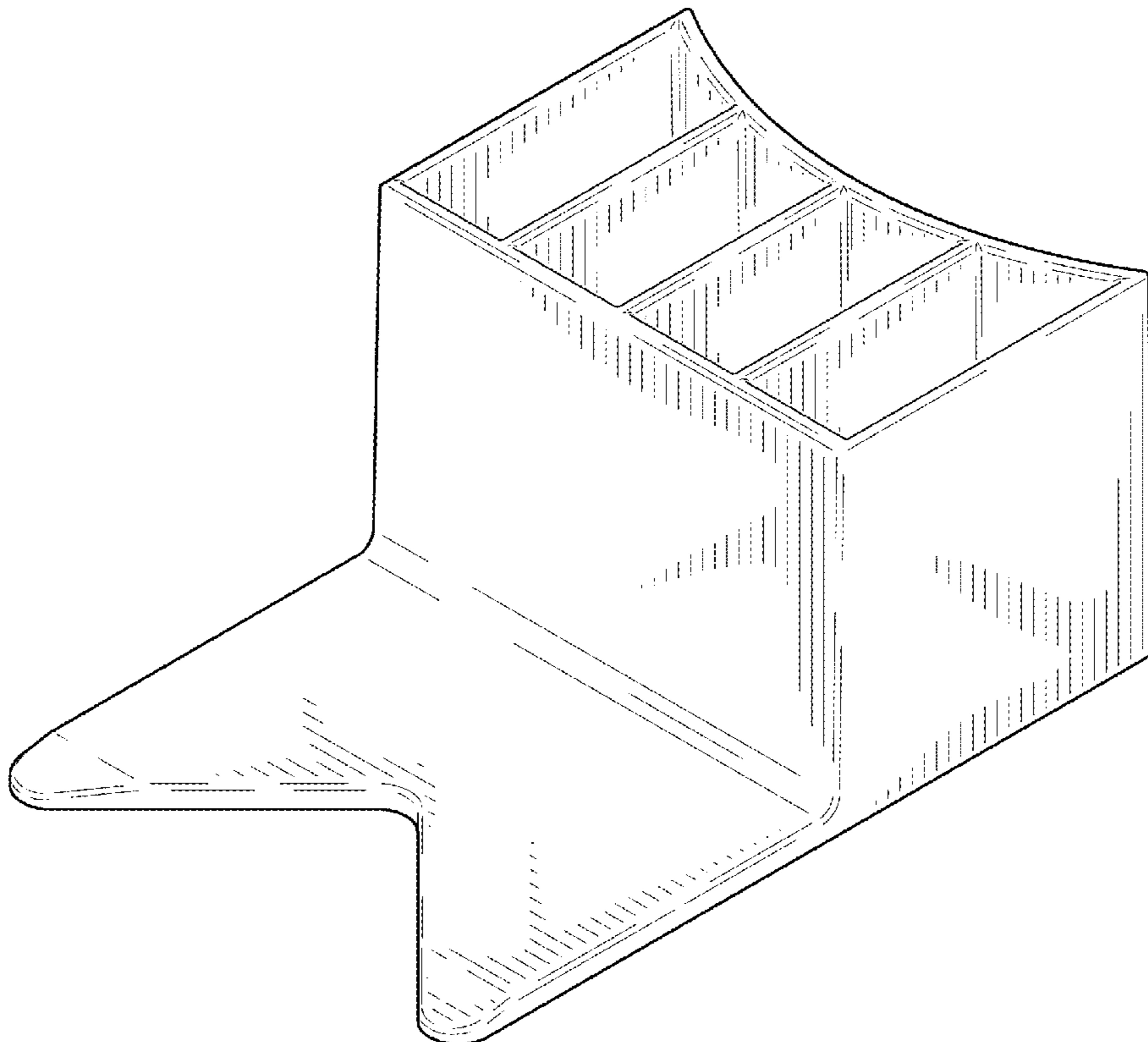
FIG. 5 is a depiction of a side view thereof.

FIG. 6 is a depiction of a back view thereof; and,

FIG. 7 is a depiction of a bottom view thereof.

The broken lines in FIG. 7 illustrate bottom surface portions of the shoe for raised toilet seat assembly and form no part of the claimed design.

1 Claim, 5 Drawing Sheets



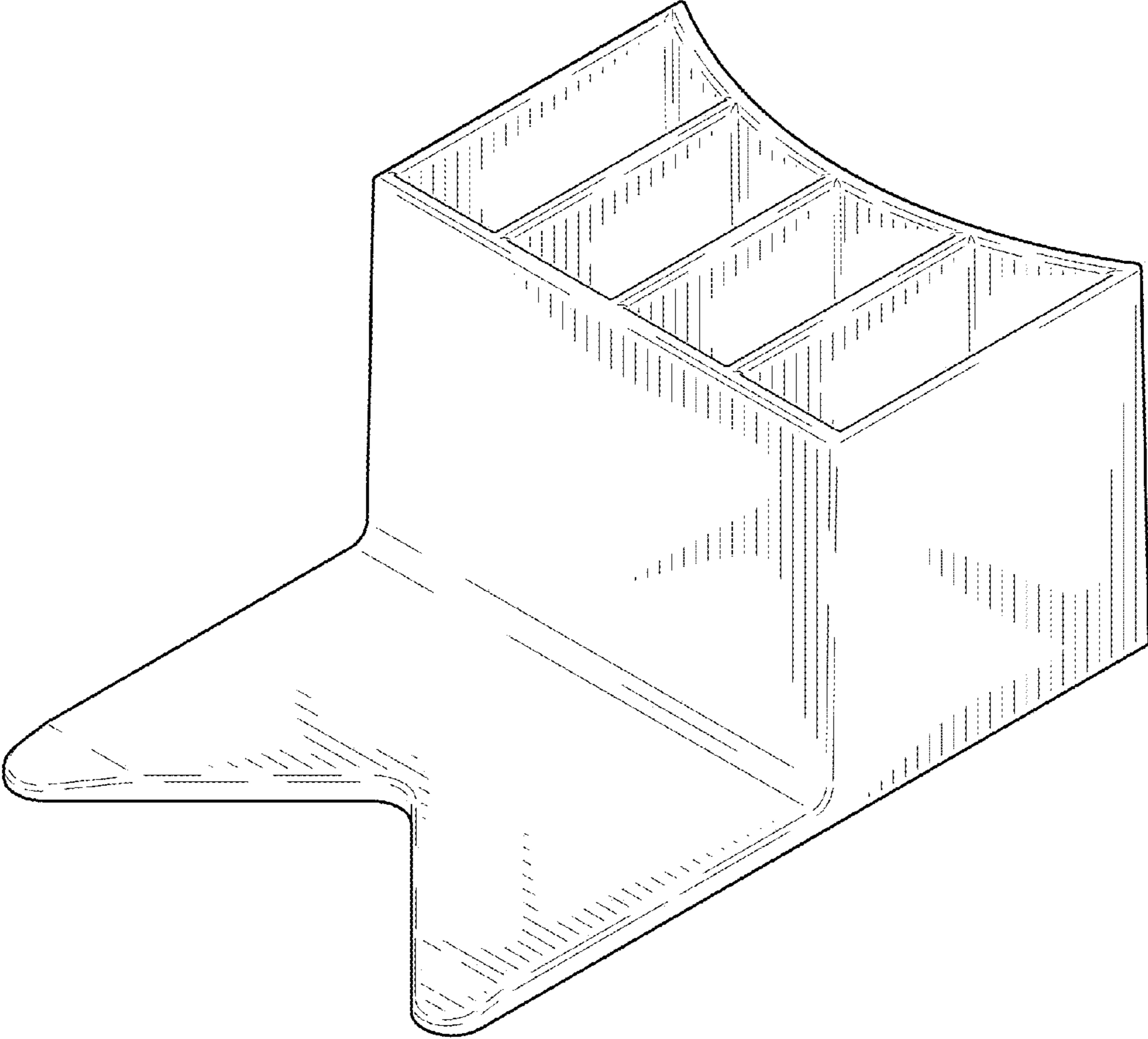


FIG.1

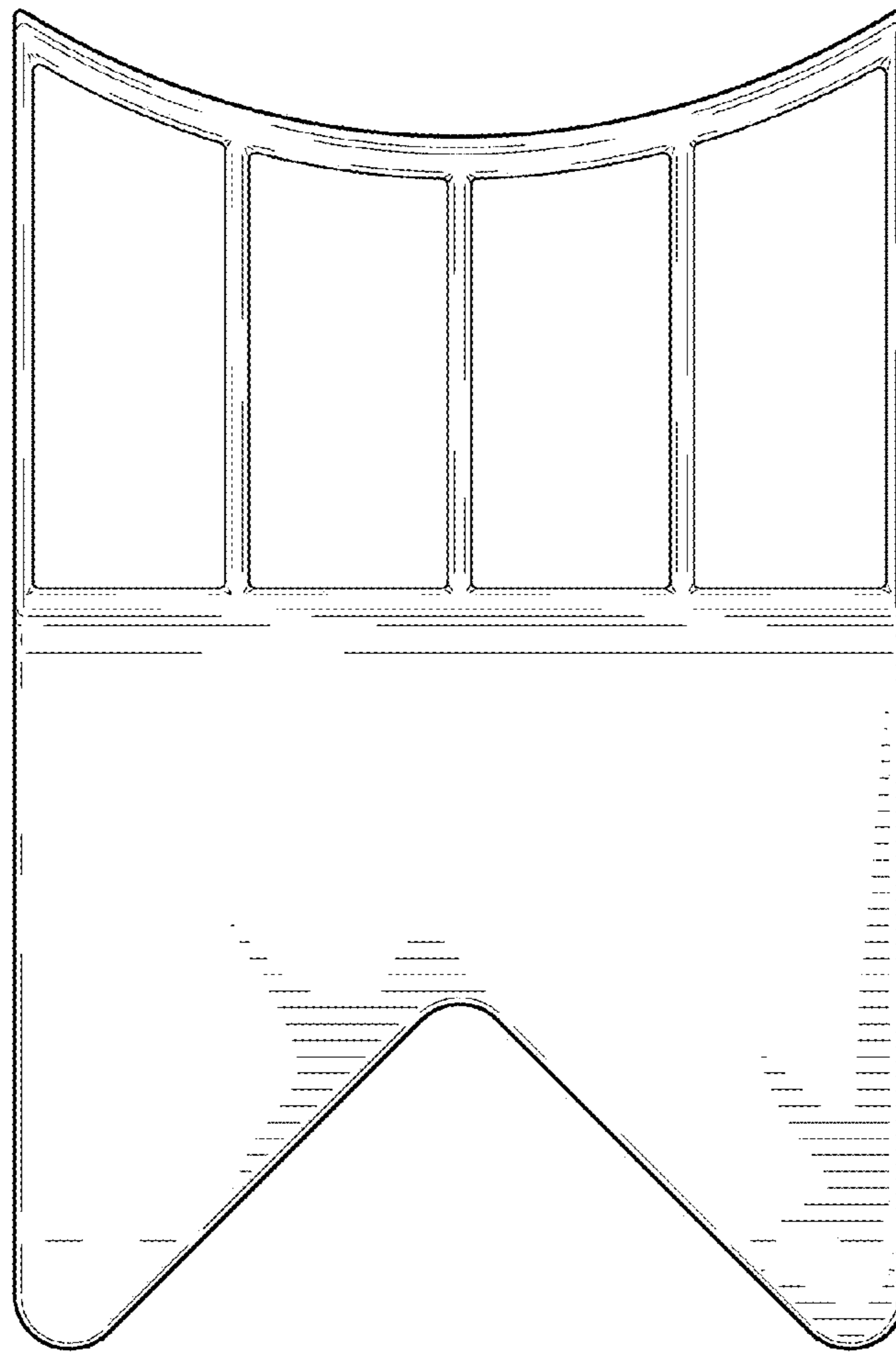


FIG.2

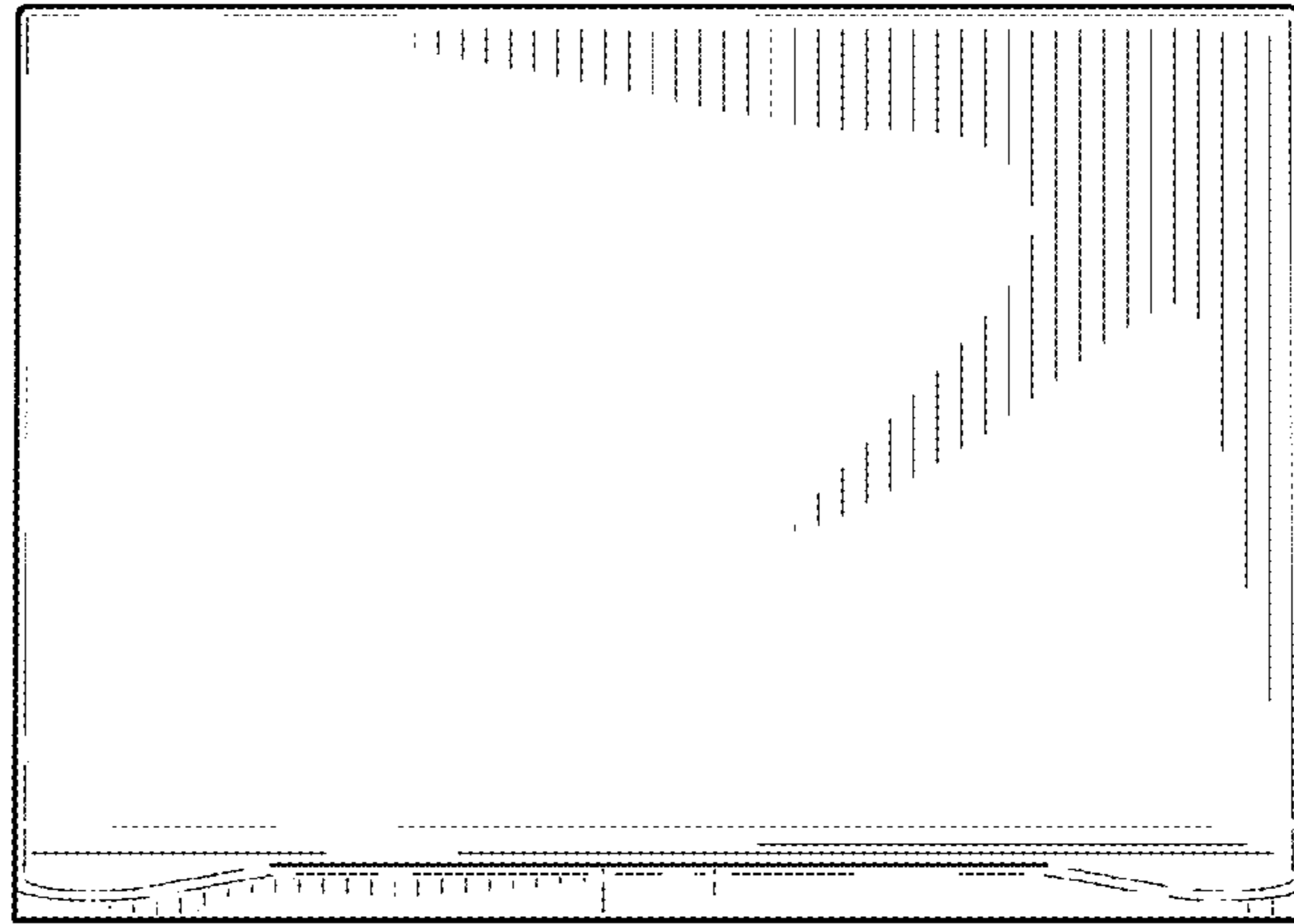


FIG. 3

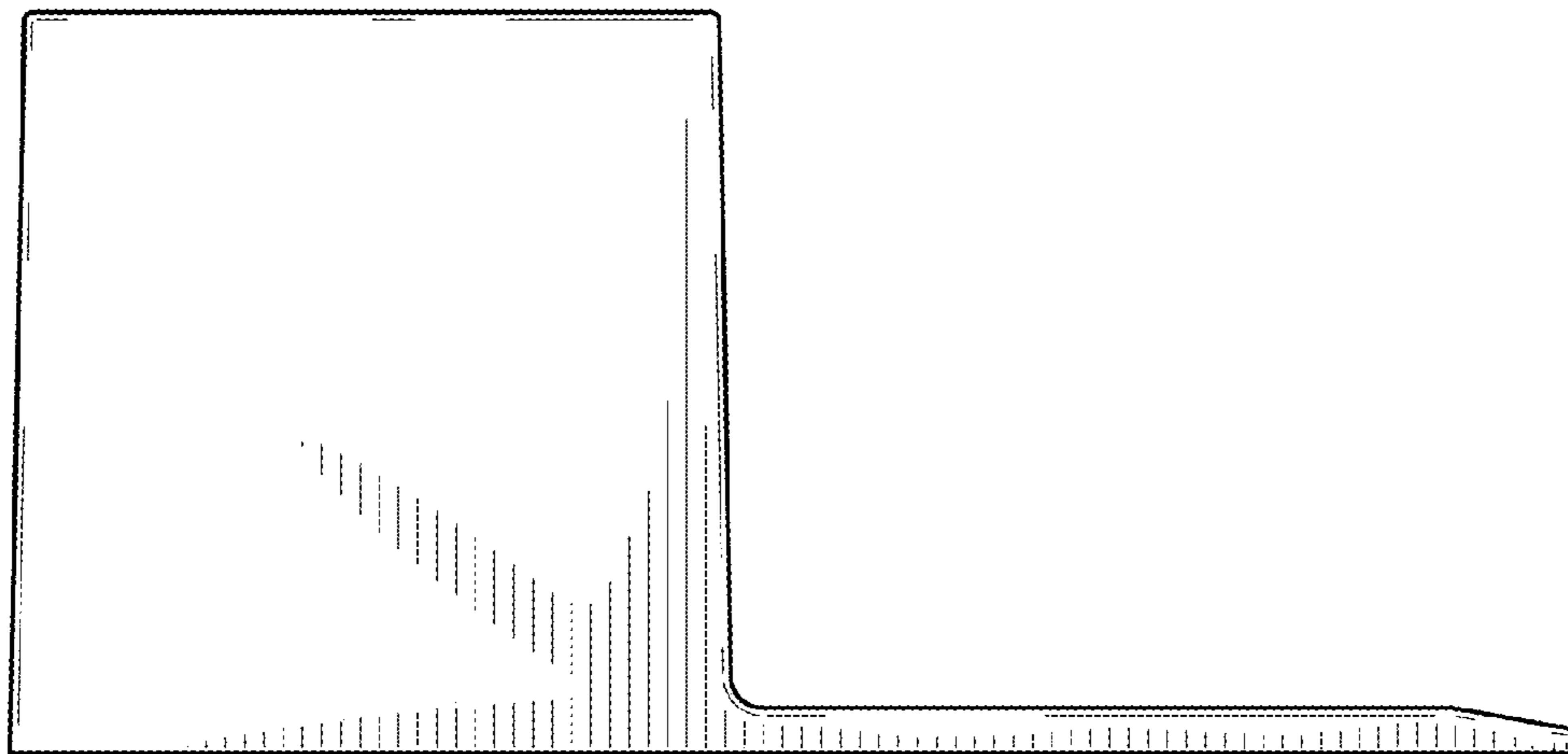


FIG. 4

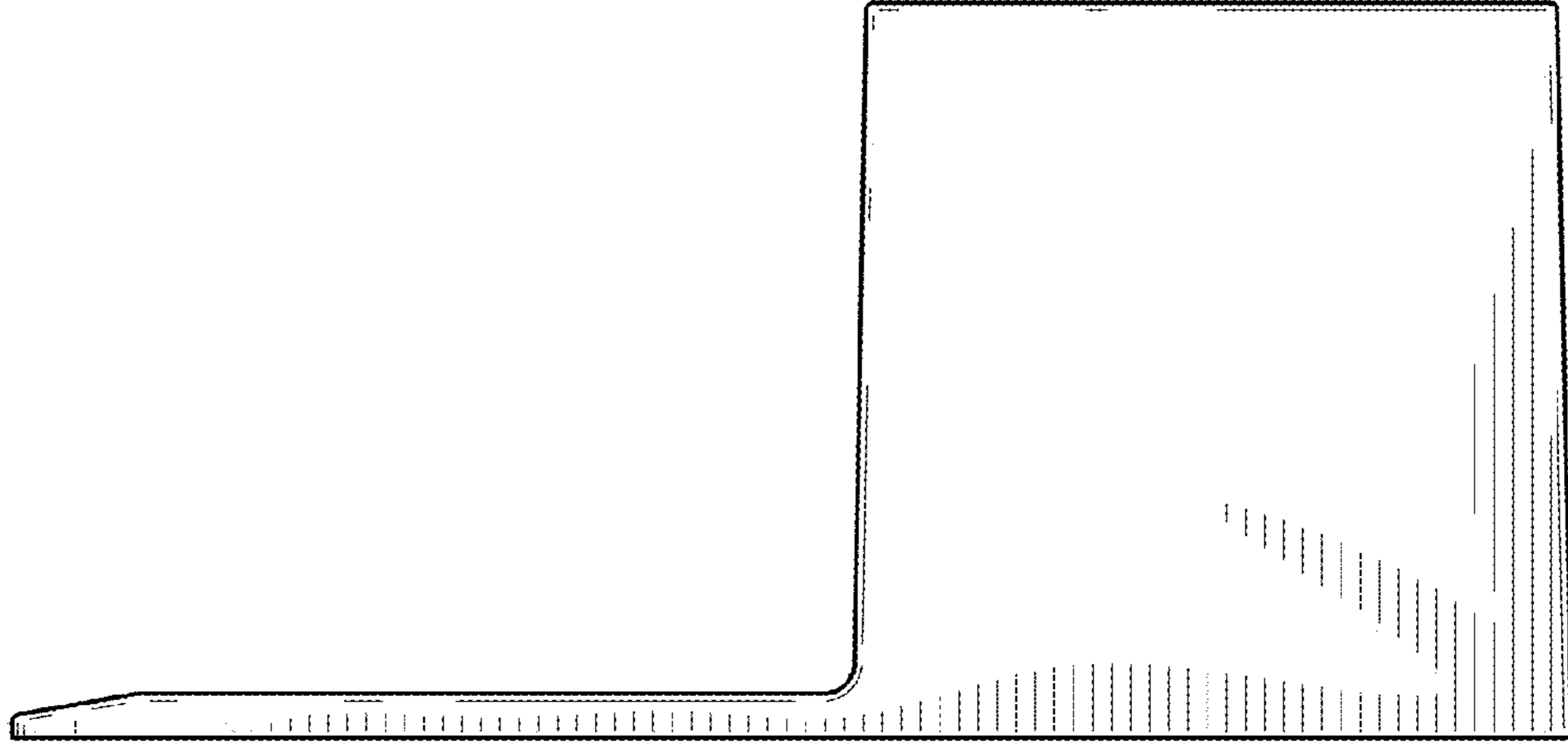


FIG. 5

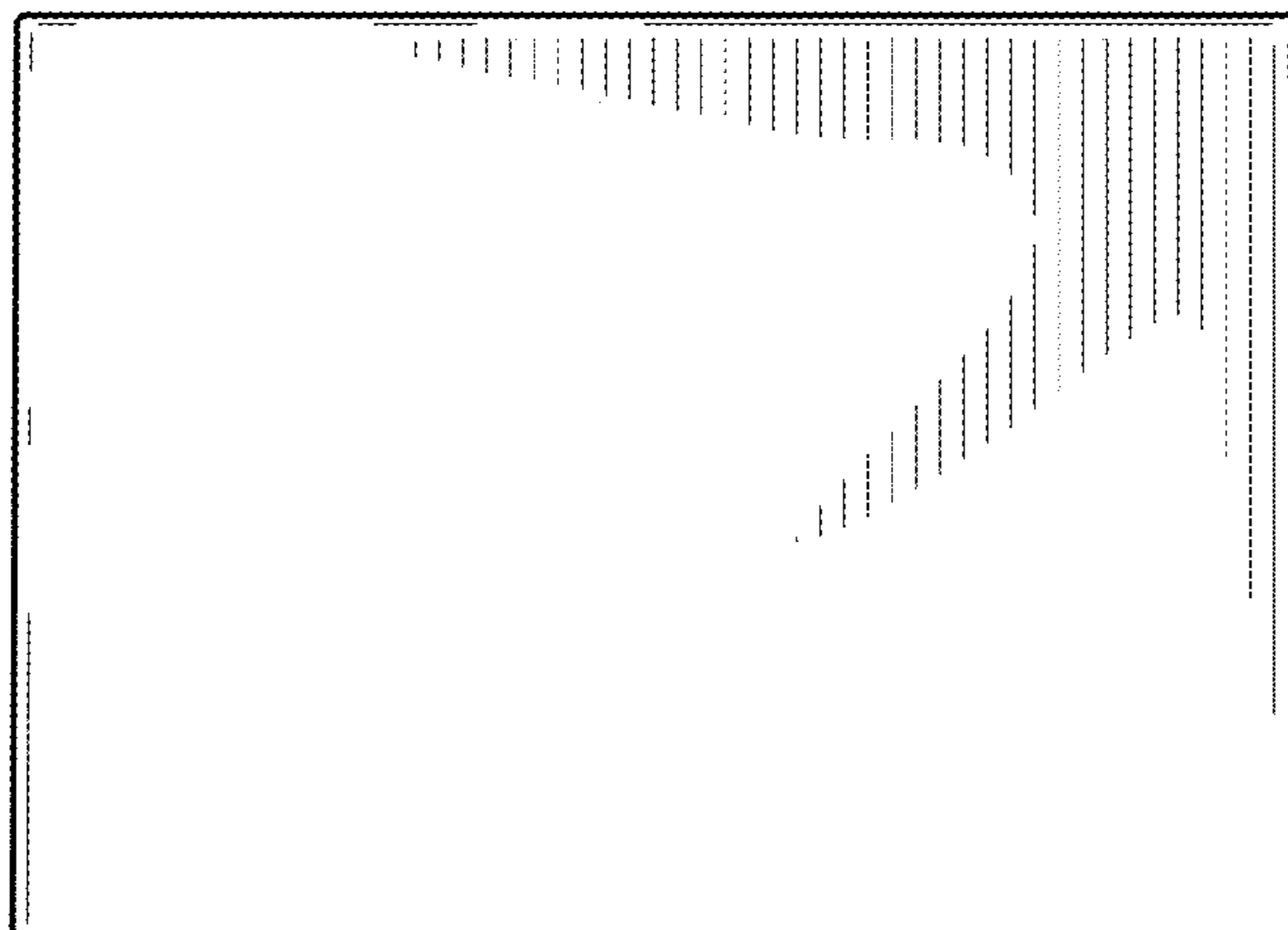


FIG. 6

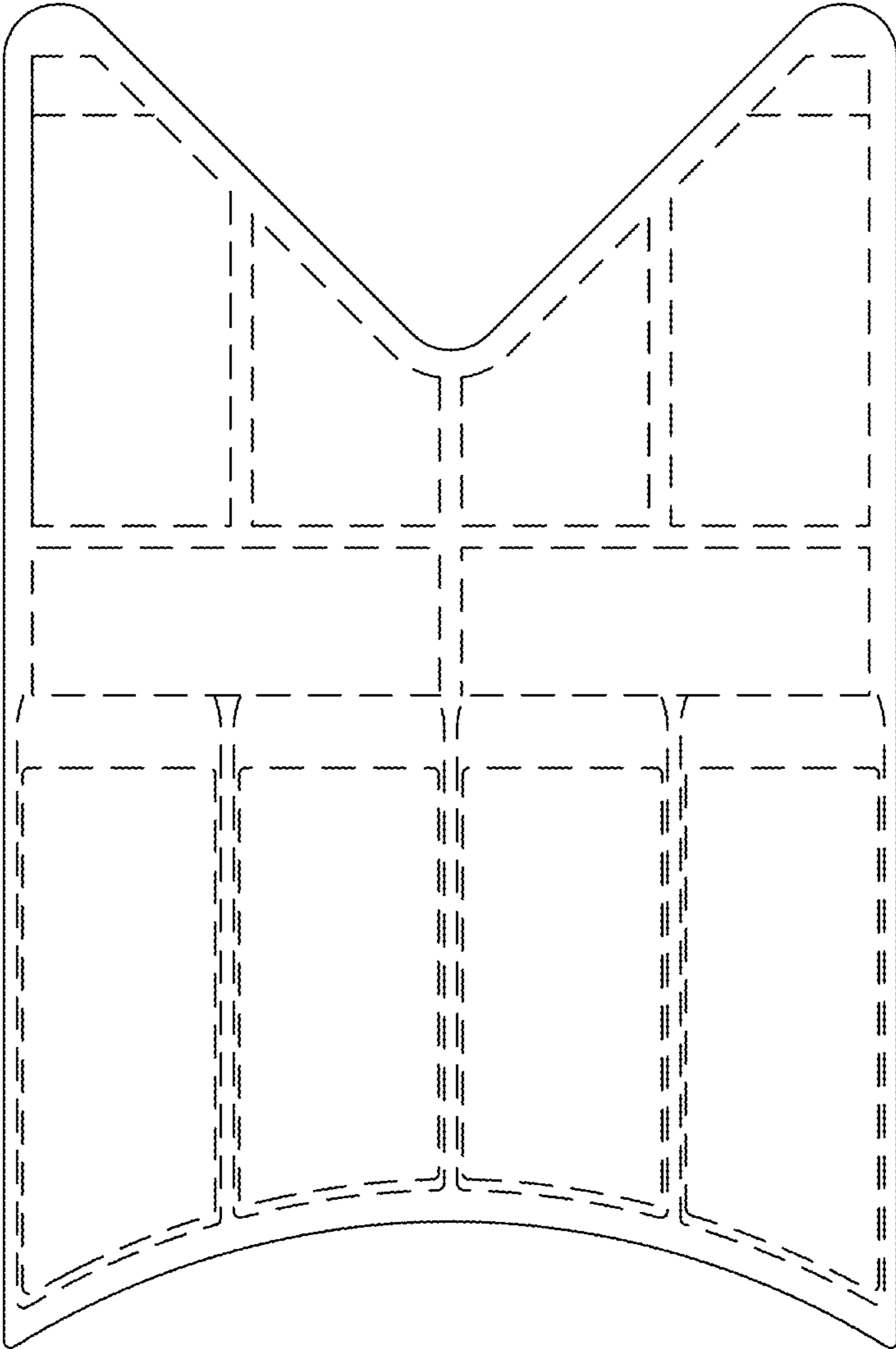


FIG. 7