



US00D720436S

(12) **United States Design Patent**
Hundley et al.

(10) **Patent No.:** **US D720,436 S**

(45) **Date of Patent:** **** Dec. 30, 2014**

(54) **FAUCET**

D636,853 S 4/2011 Yu
D647,178 S 10/2011 Liao
D698,421 S 1/2014 Schoenherr et al.

(71) Applicant: **Kohler Co.**, Kohler, WI (US)

(72) Inventors: **Jill Hundley**, Sheboygan, WI (US);
William C. McKeone, Sheboygan, WI (US);
Coralee Schroeder Sandee, Sheboygan, WI (US)

(73) Assignee: **Kohler Co.**, Kohler, WI (US)

(**) Term: **14 Years**

(21) Appl. No.: **29/502,588**

(22) Filed: **Sep. 17, 2014**

Related U.S. Application Data

(62) Division of application No. 29/470,163, filed on Oct. 17, 2013, now Pat. No. Des. 713,941.

(51) **LOC (10) Cl.** **23-01**

(52) **U.S. Cl.**
USPC **D23/255**

(58) **Field of Classification Search**
USPC D23/238–243, 249, 252, 254–255, 257;
4/675–678; 137/801

See application file for complete search history.

(56) **References Cited**

U.S. PATENT DOCUMENTS

D608,419 S 1/2010 Kohler, Jr. et al.
D608,420 S 1/2010 Kohler, Jr. et al.
D622,821 S 8/2010 Sandee et al.
D625,778 S 10/2010 Sandee et al.
D630,304 S 1/2011 Sandee et al.
D635,223 S 3/2011 Sandee et al.
D636,064 S 4/2011 Schoenherr et al.

OTHER PUBLICATIONS

Kohler Faucet Catalog—2010—p. 49—Margaux Series—SKU# K-16232.

Primary Examiner — Robert Delehanty

(74) *Attorney, Agent, or Firm* — Foley & Lardner LLP

(57) **CLAIM**

We claim the ornamental design for a faucet, as shown and described.

DESCRIPTION

FIG. 1 is a perspective view of an embodiment of the claimed design;

FIG. 2 is a side view of the embodiment of the claimed design shown in FIG. 1;

FIG. 3 is another side view of the embodiment of the claimed design shown in FIG. 1;

FIG. 4 is a front view of the embodiment of the claimed design shown in FIG. 1;

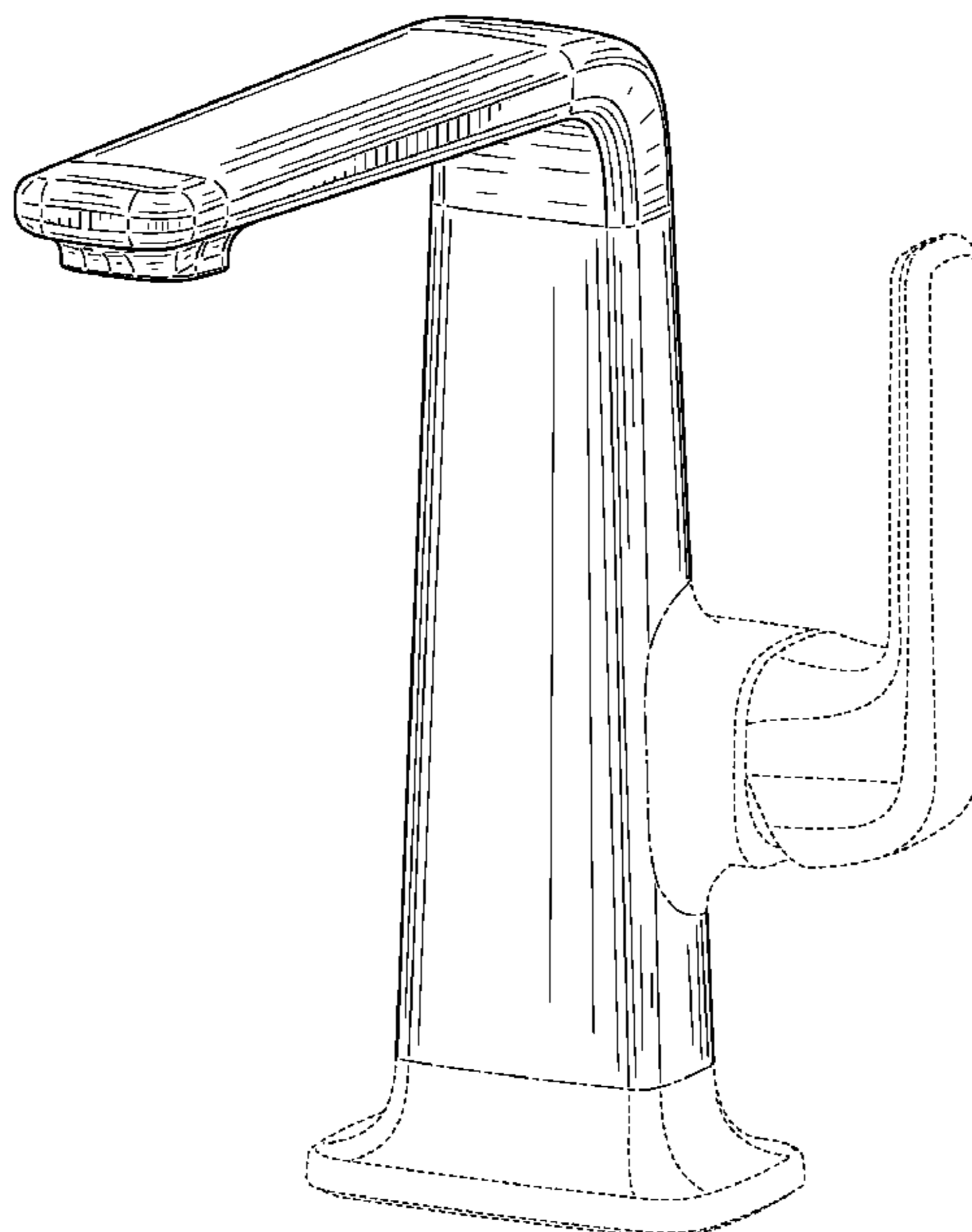
FIG. 5 is a rear view of the embodiment of the claimed design shown in FIG. 1;

FIG. 6 is a top view of the embodiment of the claimed design shown in FIG. 1; and,

FIG. 7 is a bottom view of the embodiment of the claimed design shown in FIG. 1.

The ornamental design which is claimed is shown in solid lines in the drawings. The broken lines in the drawings are for illustrative purposes only and form no part of the claimed design. Broken lines formed by equal length dashes show unclaimed portions of the design. Broken lines formed of unequal length dashes (i.e., dash-dot) show boundaries between claimed and unclaimed portions of the design.

1 Claim, 7 Drawing Sheets



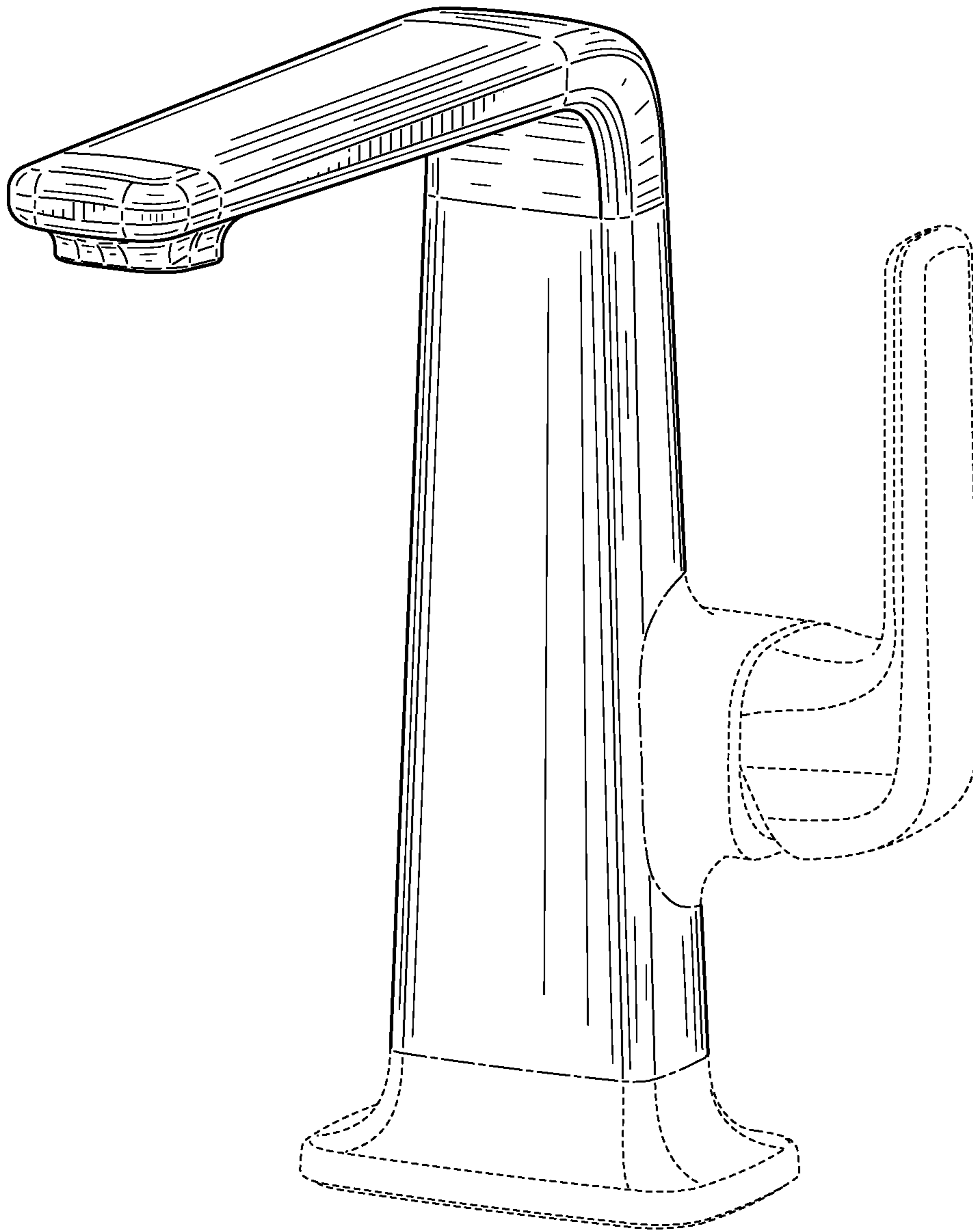


FIG. 1

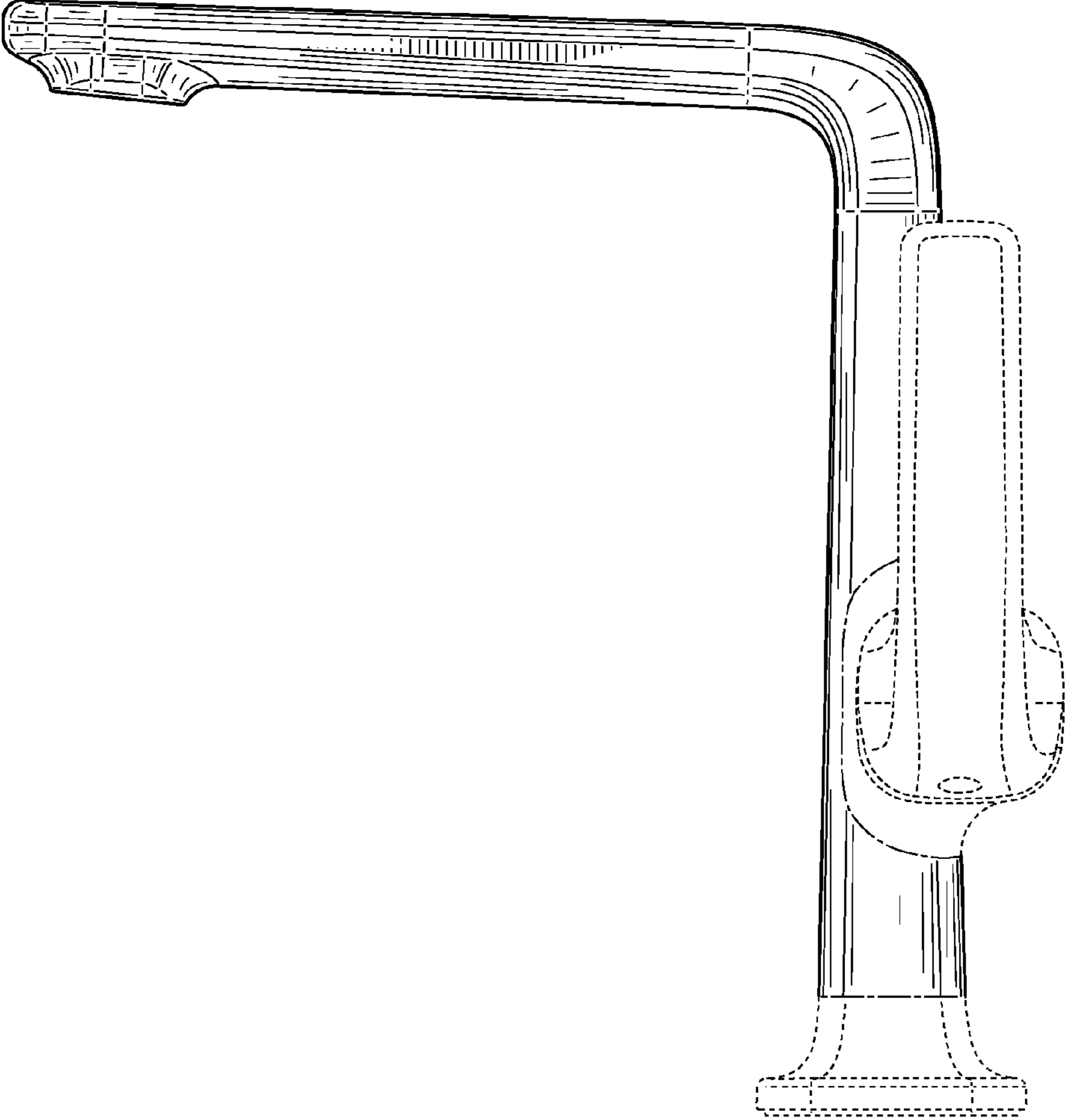


FIG. 2

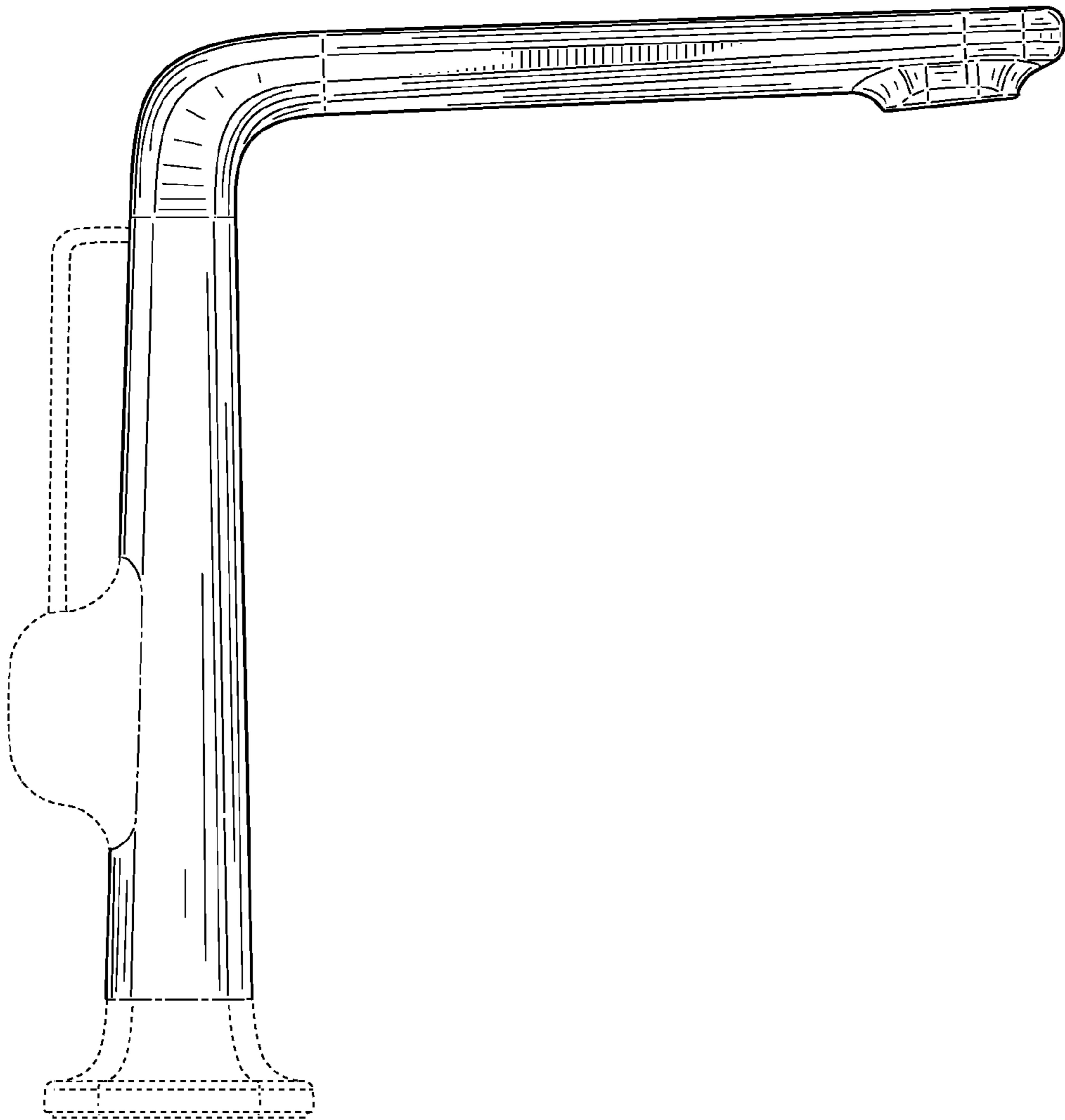


FIG. 3

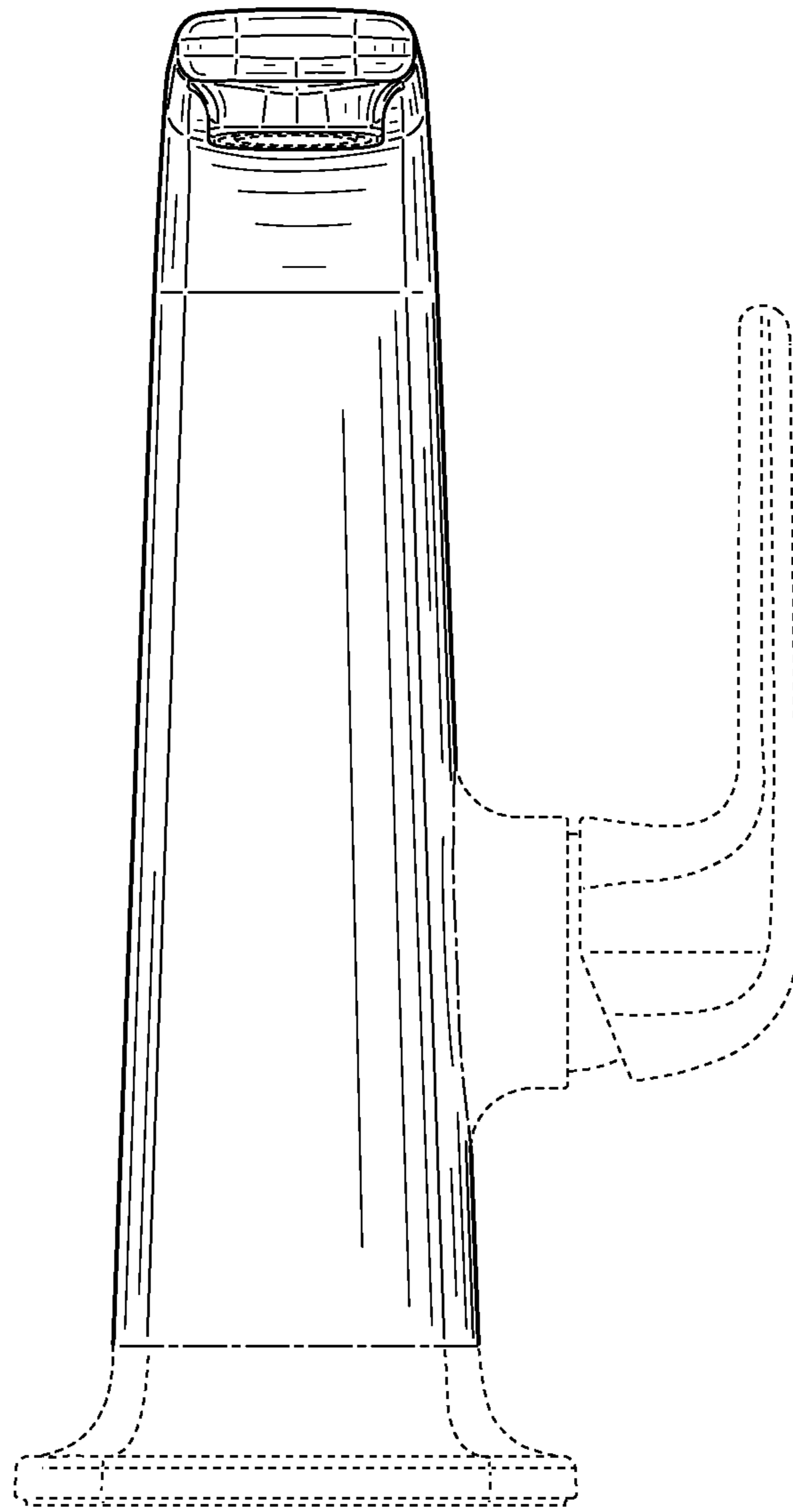


FIG. 4

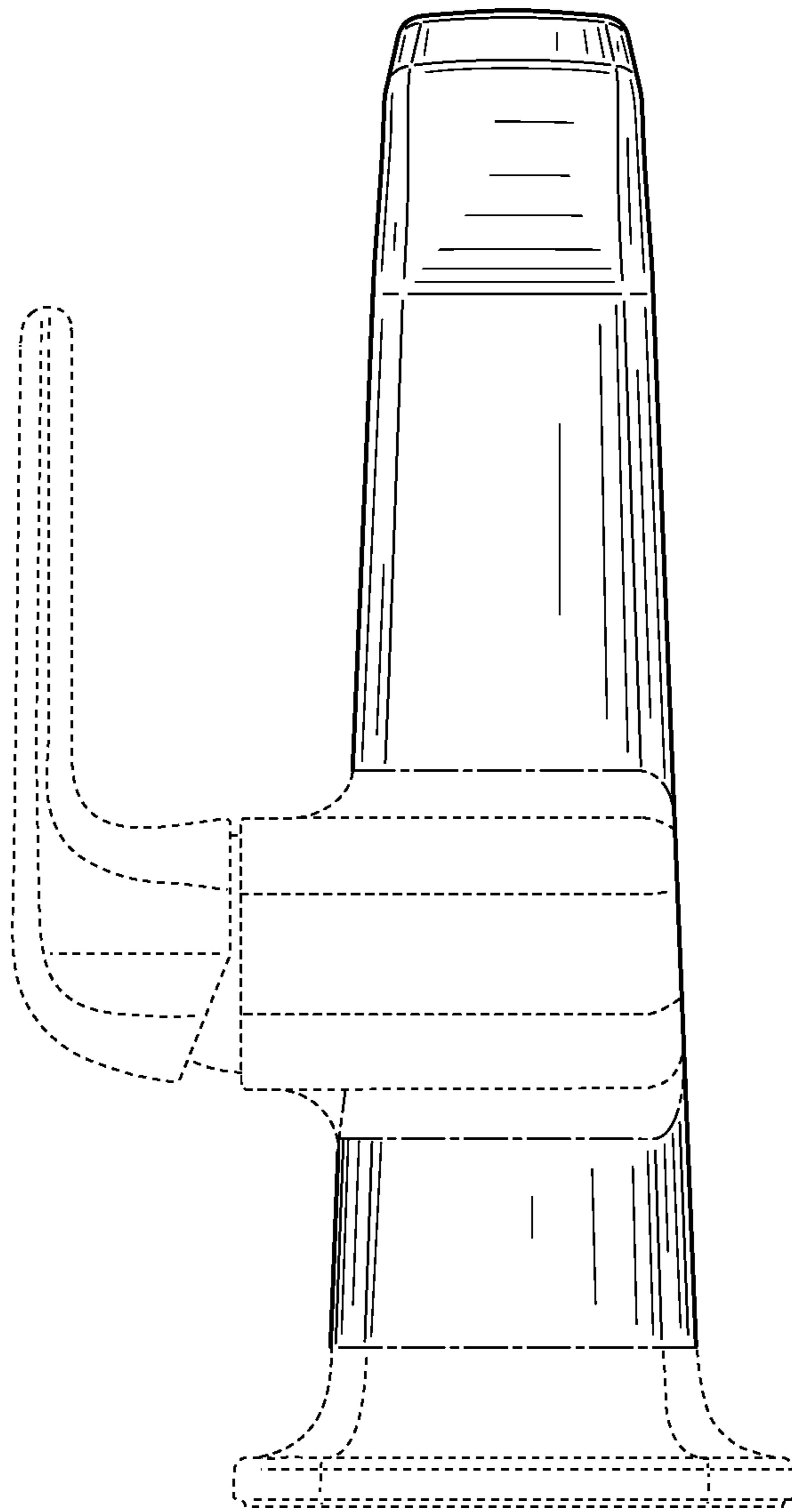


FIG. 5

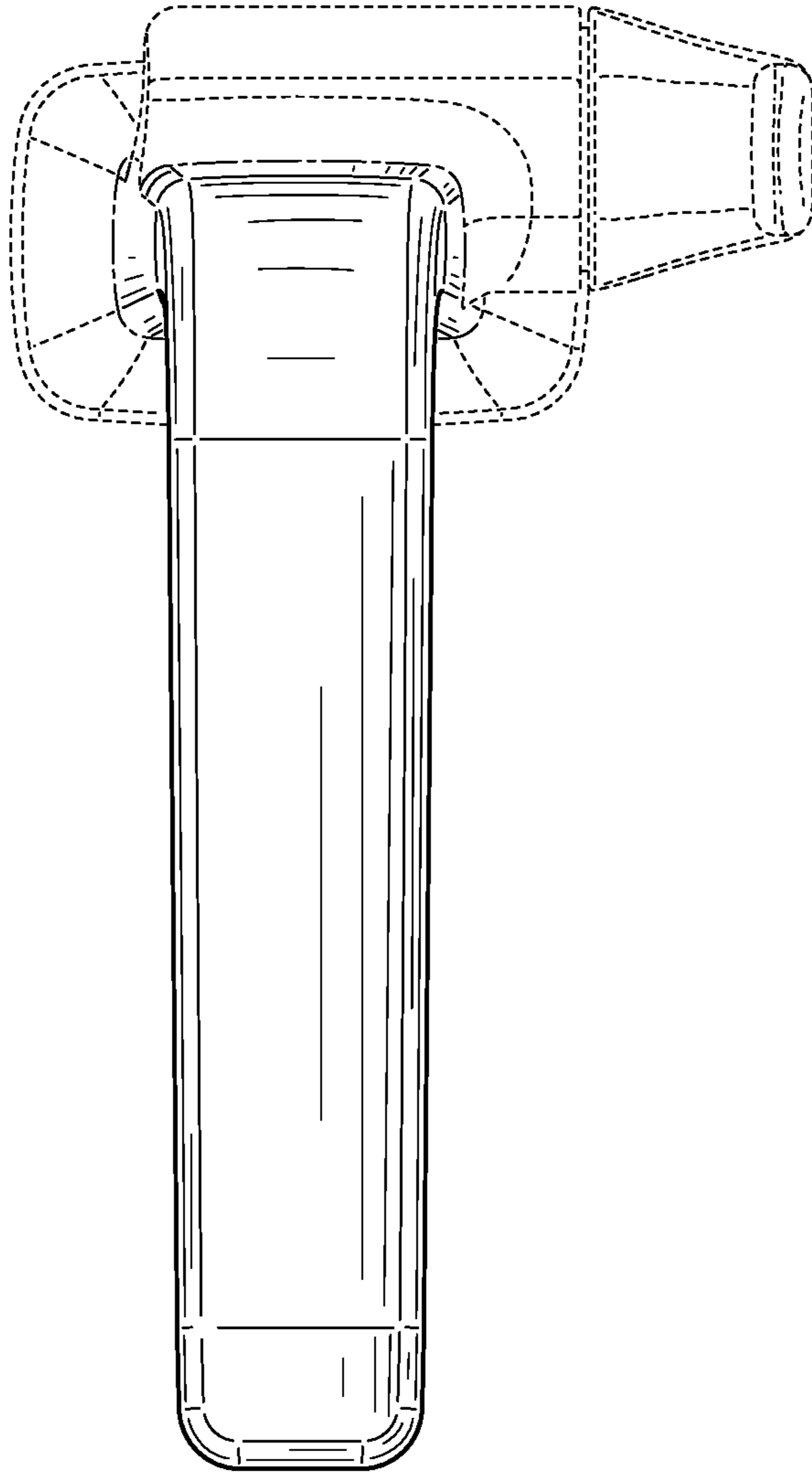


FIG. 6

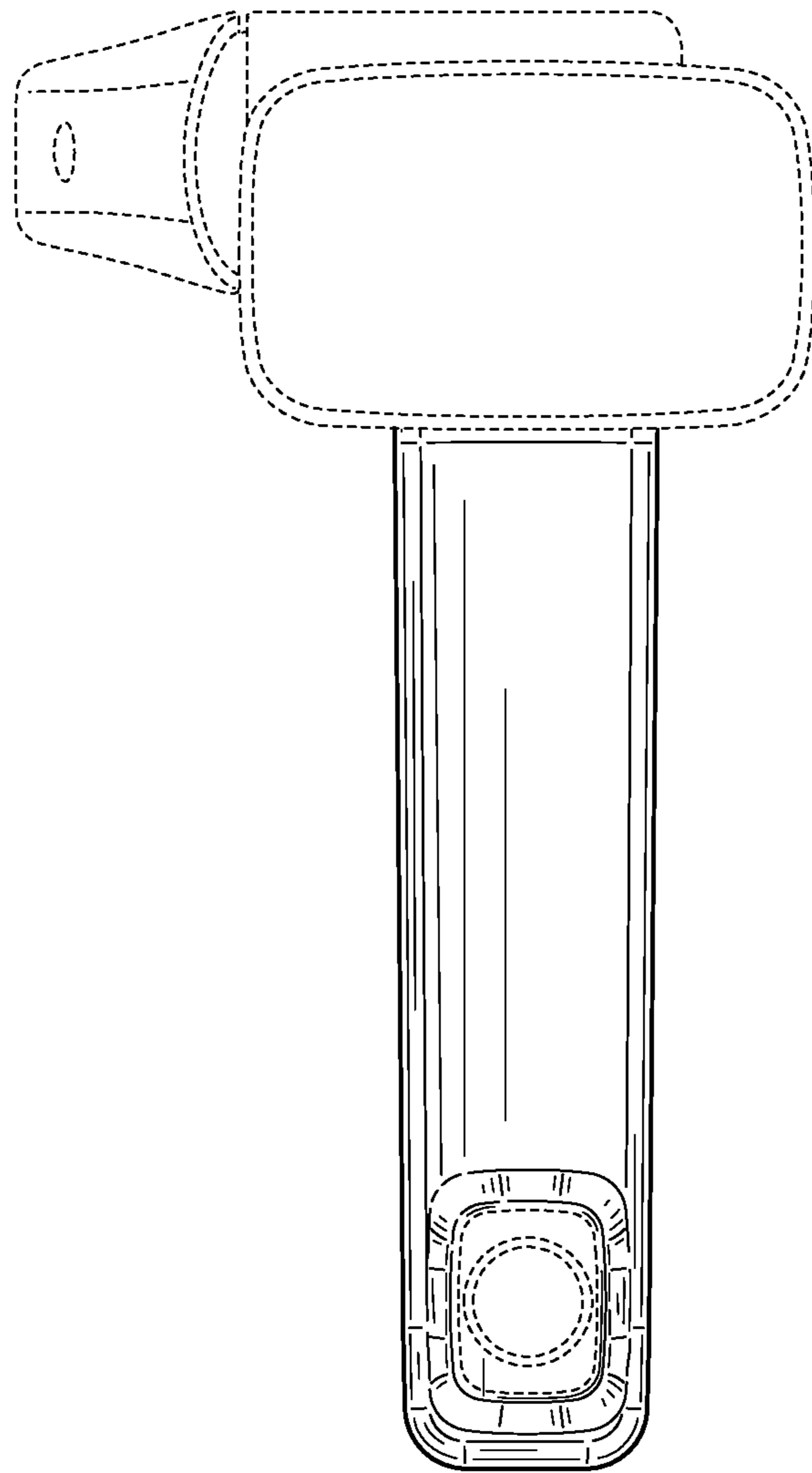


FIG. 7