

US00D720433S

(12) **United States Design Patent**  
**Fritz**

(10) **Patent No.:** **US D720,433 S**

(45) **Date of Patent:** **\*\* Dec. 30, 2014**

(54) **FAUCET SPOUT**

(71) Applicant: **Masco Corporation of Indiana,**  
Indianapolis, IN (US)

(72) Inventor: **Seth Fritz,** Carmel, IN (US)

(73) Assignee: **Masco Corporation of Indiana,**  
Indianapolis, IN (US)

(\*\*) Term: **14 Years**

(21) Appl. No.: **29/484,298**

(22) Filed: **Mar. 7, 2014**

(51) **LOC (10) Cl.** ..... **23-01**

(52) **U.S. Cl.**  
USPC ..... **D23/255**

(58) **Field of Classification Search**  
USPC ..... D23/238, 241-243, 249, 255, 257;  
4/675-678; 137/801  
See application file for complete search history.

(56) **References Cited**

**U.S. PATENT DOCUMENTS**

D409,288 S \* 5/1999 Hyde ..... D23/250  
6,317,905 B1 \* 11/2001 Slothower ..... 4/678

D576,710 S \* 9/2008 Fritz ..... D23/238  
D596,716 S \* 7/2009 Haug et al. .... D23/254  
D678,985 S \* 3/2013 Berger ..... D23/255

\* cited by examiner

*Primary Examiner* — Robert Delehanty

(74) *Attorney, Agent, or Firm* — Edgar A. Zarins; Nirav D. Parikh

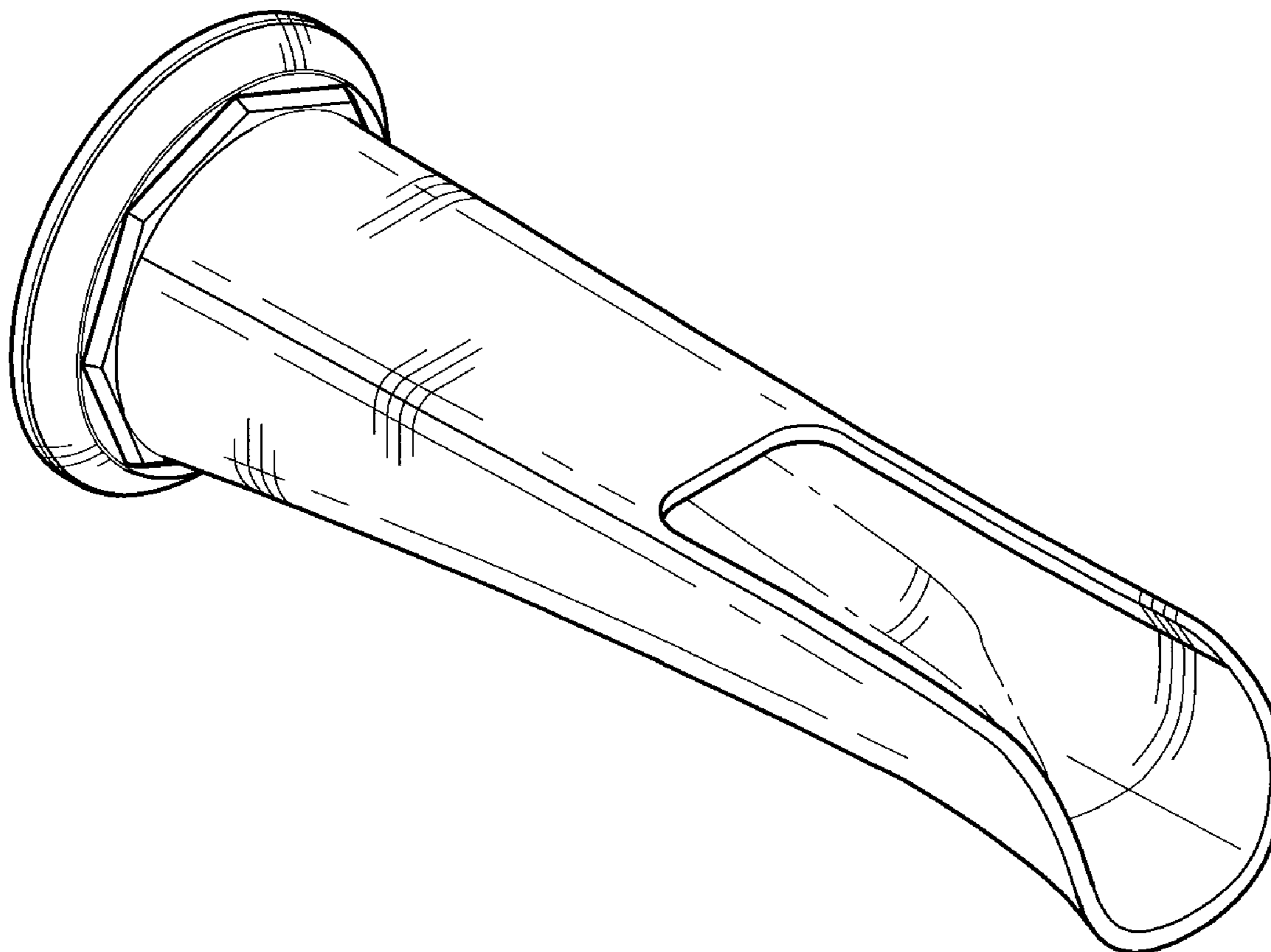
(57) **CLAIM**

The ornamental design for a faucet spout, as shown and described.

**DESCRIPTION**

FIG. 1 is a perspective view of a faucet spout showing my new design;  
FIG. 2 is a top plan view thereof;  
FIG. 3 is a front end view thereof;  
FIG. 4 is a right side view thereof, the opposite side being a mirror image of the side shown;  
FIG. 5 is a bottom view thereof; and,  
FIG. 6 is a rear view thereof.

**1 Claim, 2 Drawing Sheets**



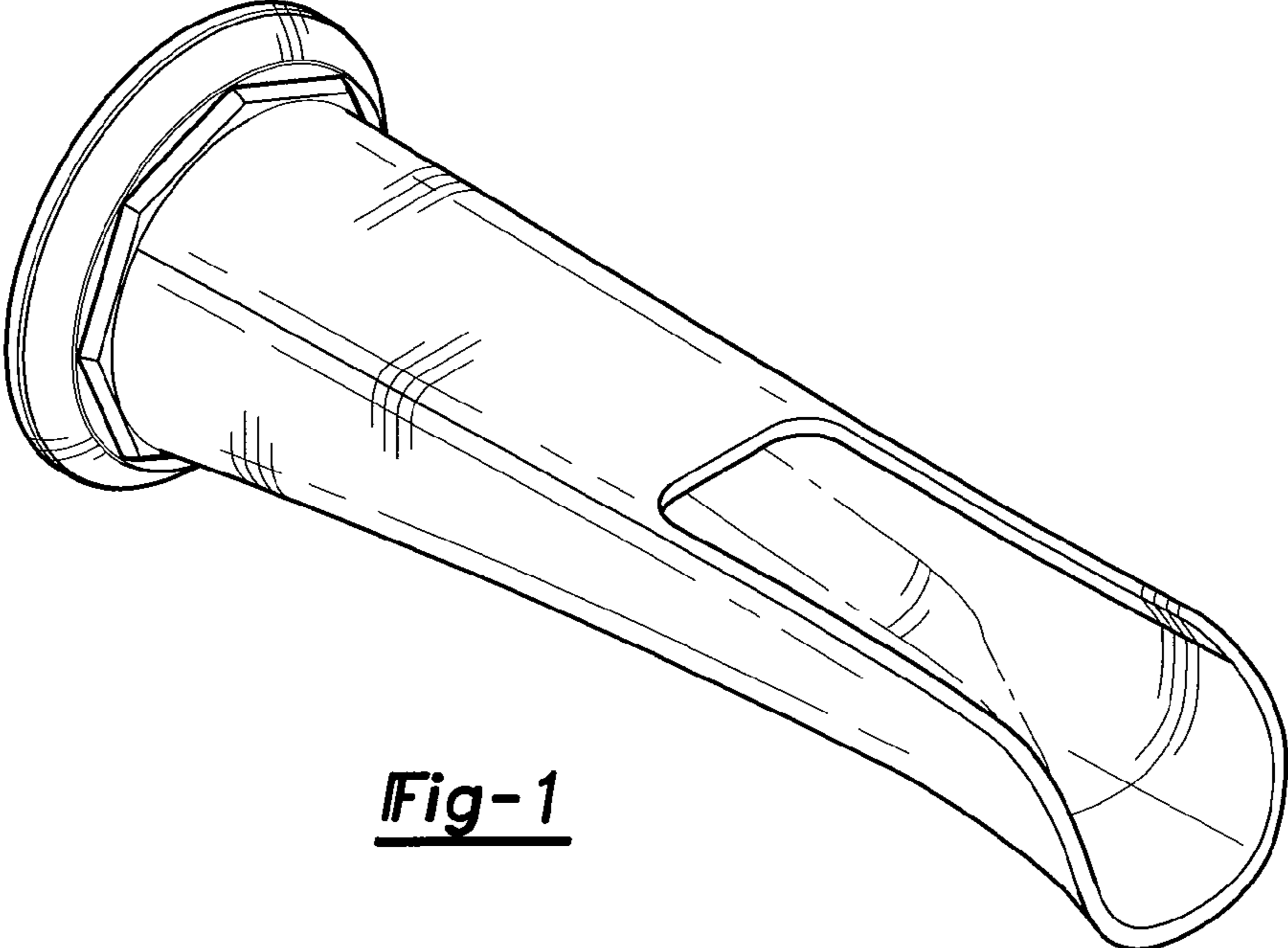


Fig-1

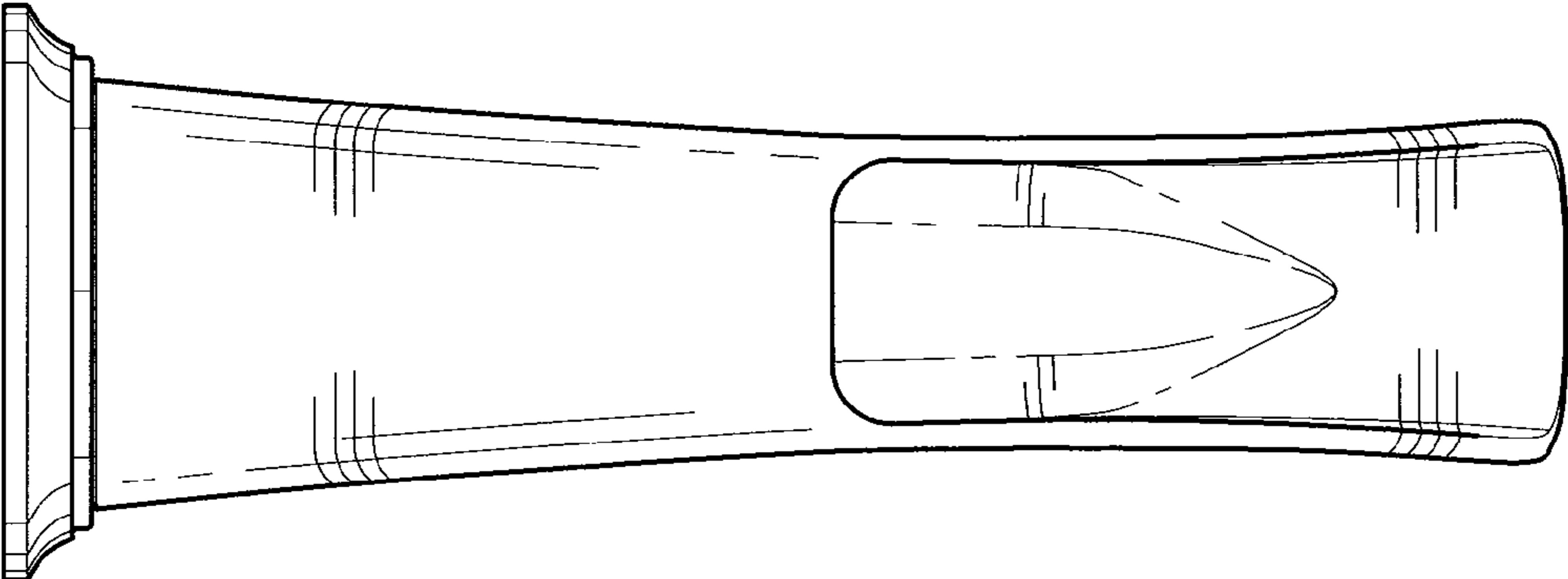


Fig-2

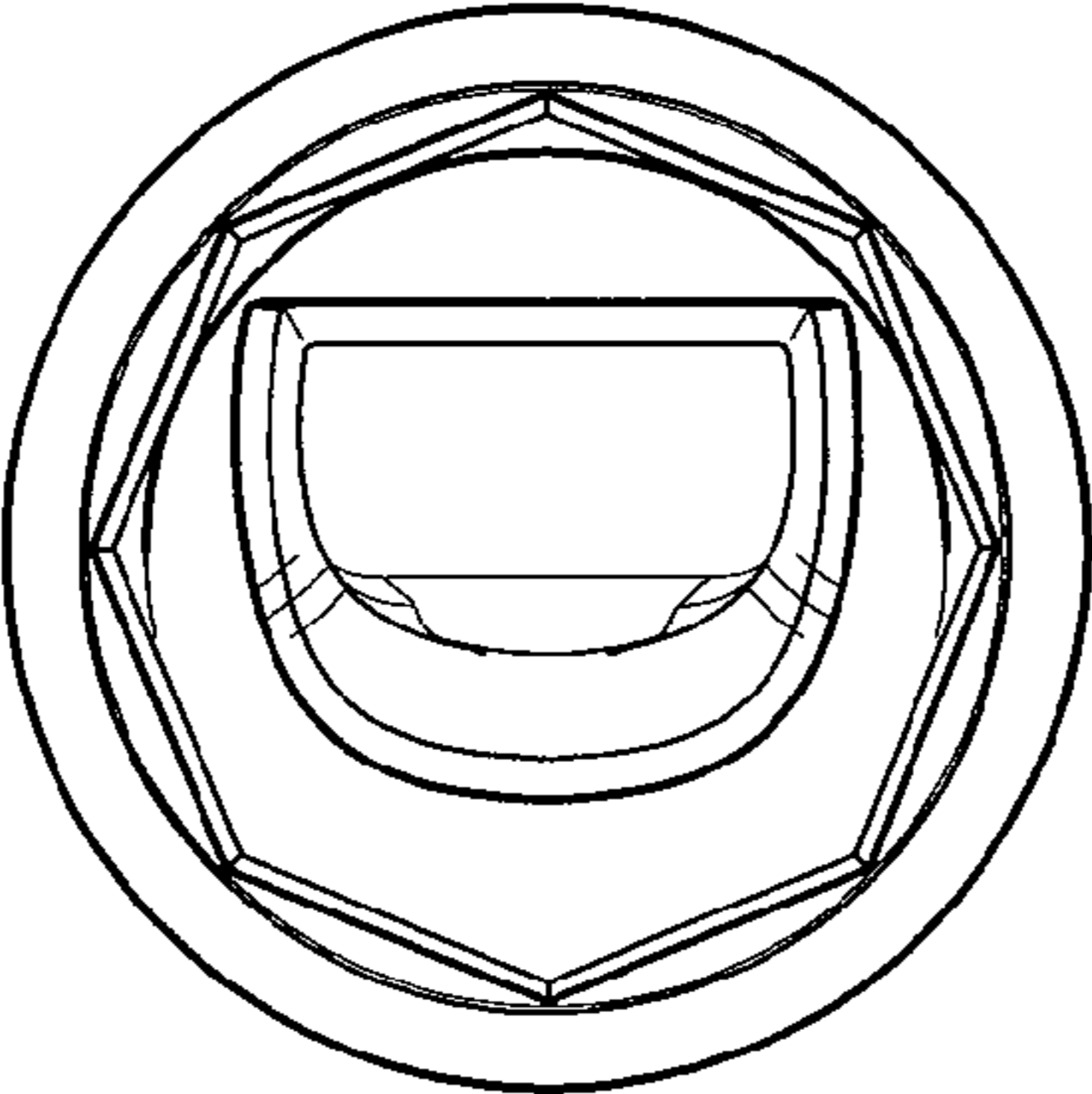


Fig-3

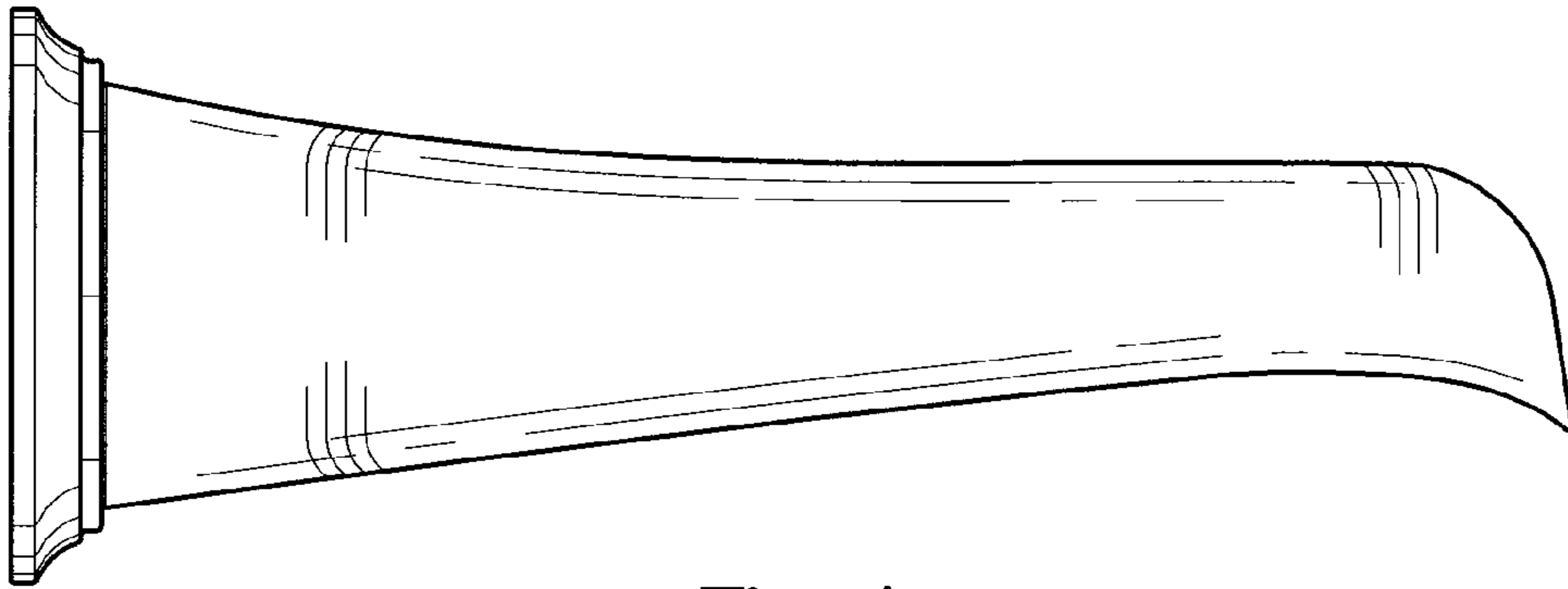


Fig-4

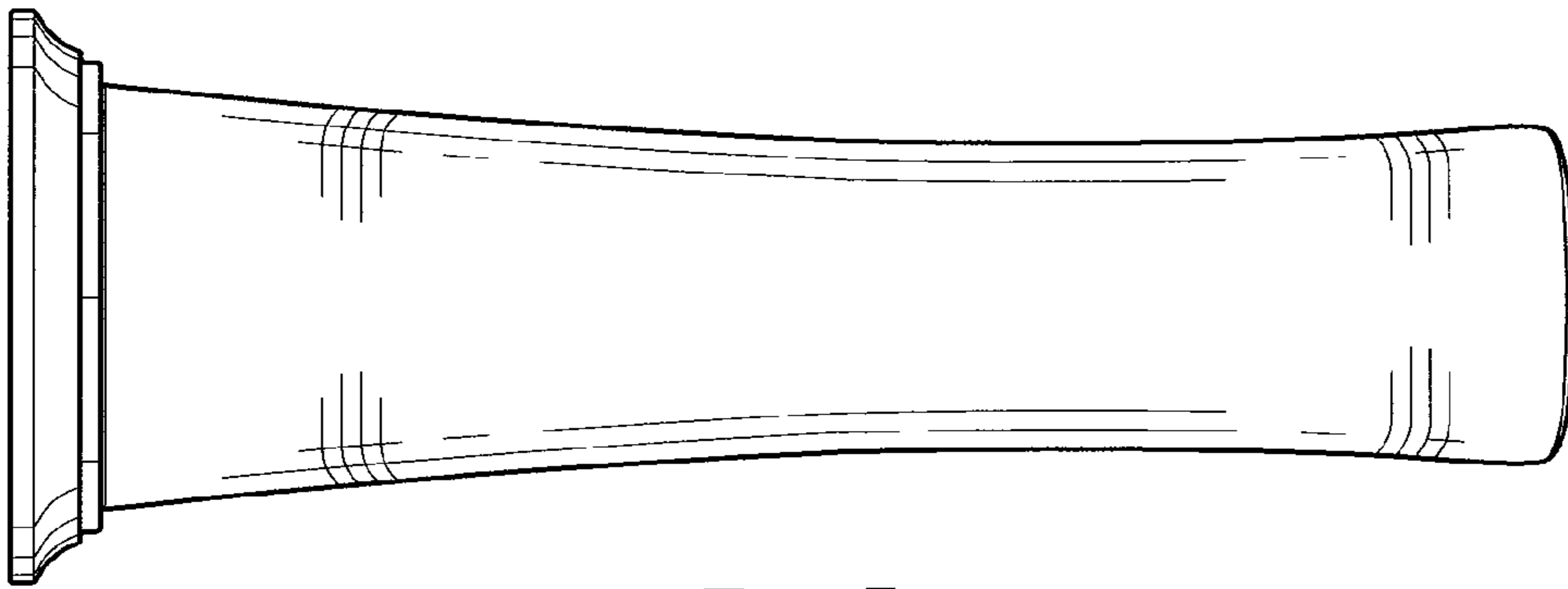


Fig-5

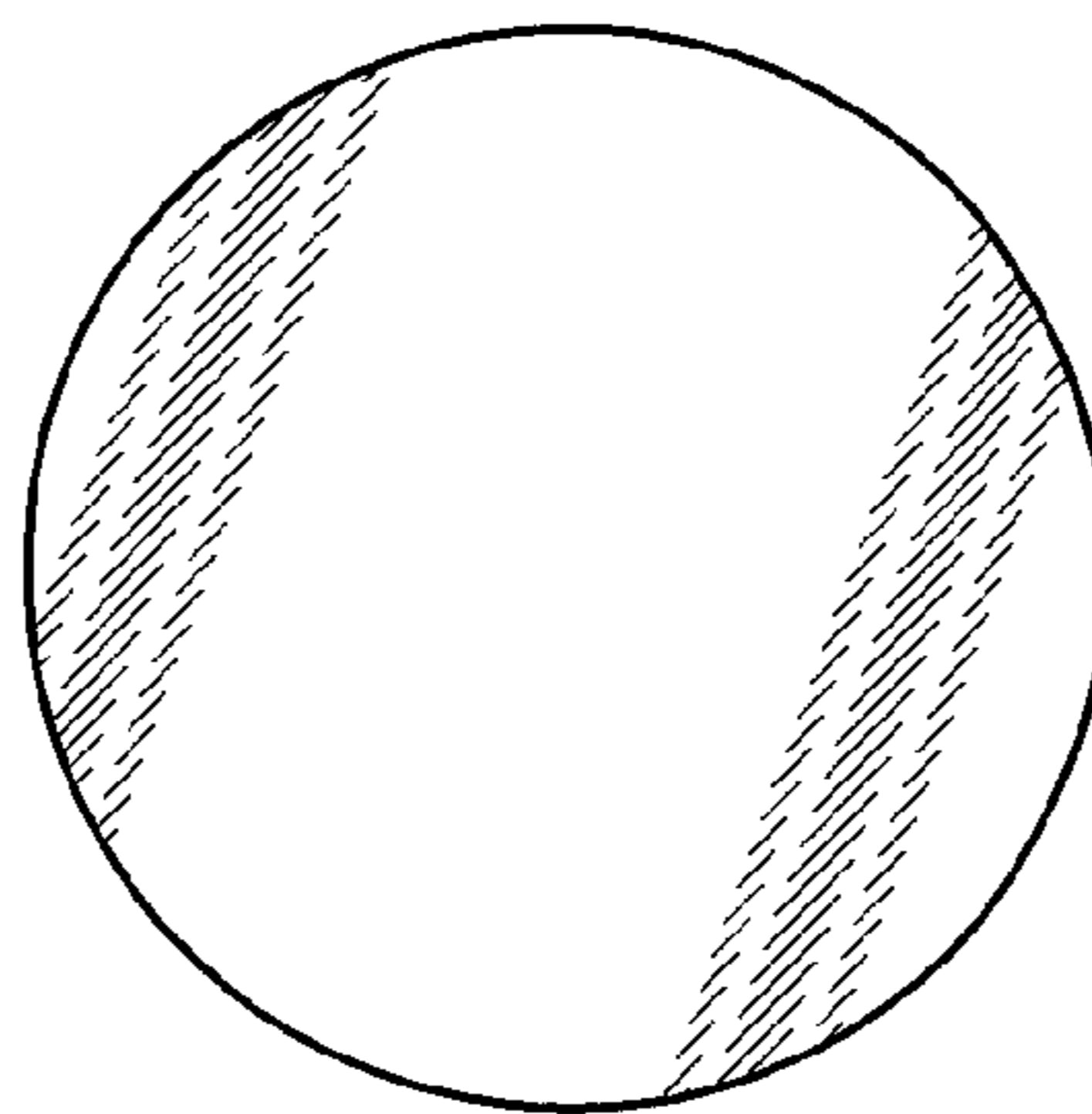


Fig-6