



US00D720431S

(12) **United States Design Patent**
Michael et al.

(10) **Patent No.:** **US D720,431 S**
(45) **Date of Patent:** **** Dec. 30, 2014**

- (54) **FAUCET UNIT**
- (71) Applicant: **Melnor, Inc.**, Winchester, VA (US)
- (72) Inventors: **Vicky A. Michael**, Winchester, VA (US);
Ha V. Duong, Winchester, VA (US)
- (73) Assignee: **Melnor, Inc.**, Winchester, VA (US)
- (**) Term: **14 Years**
- (21) Appl. No.: **29/482,194**
- (22) Filed: **Feb. 14, 2014**
- (51) **LOC (10) Cl.** **23-01**
- (52) **U.S. Cl.**
USPC **D23/249**; D10/40
- (58) **Field of Classification Search**
USPC D23/238-243, 249; D10/40;
4/675-678; 137/801
See application file for complete search history.

- 6,283,139 B1 9/2001 Symonds et al.
- D451,037 S 11/2001 Jacobs et al.
- D451,412 S 12/2001 Jacobs et al.
- 6,337,635 B1 1/2002 Ericksen et al.
- 6,340,034 B1 * 1/2002 Arnott et al. 137/883
- 6,397,888 B1 6/2002 Wang
- D467,187 S 12/2002 Clivio
- D477,287 S 7/2003 Roman
- D485,502 S 1/2004 Clivio
- 6,719,010 B1 4/2004 Yi-Chang
- 6,932,277 B1 * 8/2005 Ericksen et al. 137/624.12
- D511,979 S 11/2005 Echito et al.
- 6,986,364 B1 1/2006 Wang
- D559,708 S 1/2008 Michael et al.
- D567,680 S 4/2008 Michael et al.
- D567,681 S 4/2008 Michael et al.
- D630,952 S 1/2011 Nies et al.
- 7,931,045 B2 4/2011 Nies et al.
- D642,077 S 7/2011 Nies et al.
- D643,316 S * 8/2011 Nies et al. D10/40
- D643,755 S 8/2011 Nies et al.

(Continued)

Primary Examiner — Robert Delehanty
(74) *Attorney, Agent, or Firm* — Westerman, Hattori,
Daniels & Adrian, LLP

(56) **References Cited**
U.S. PATENT DOCUMENTS

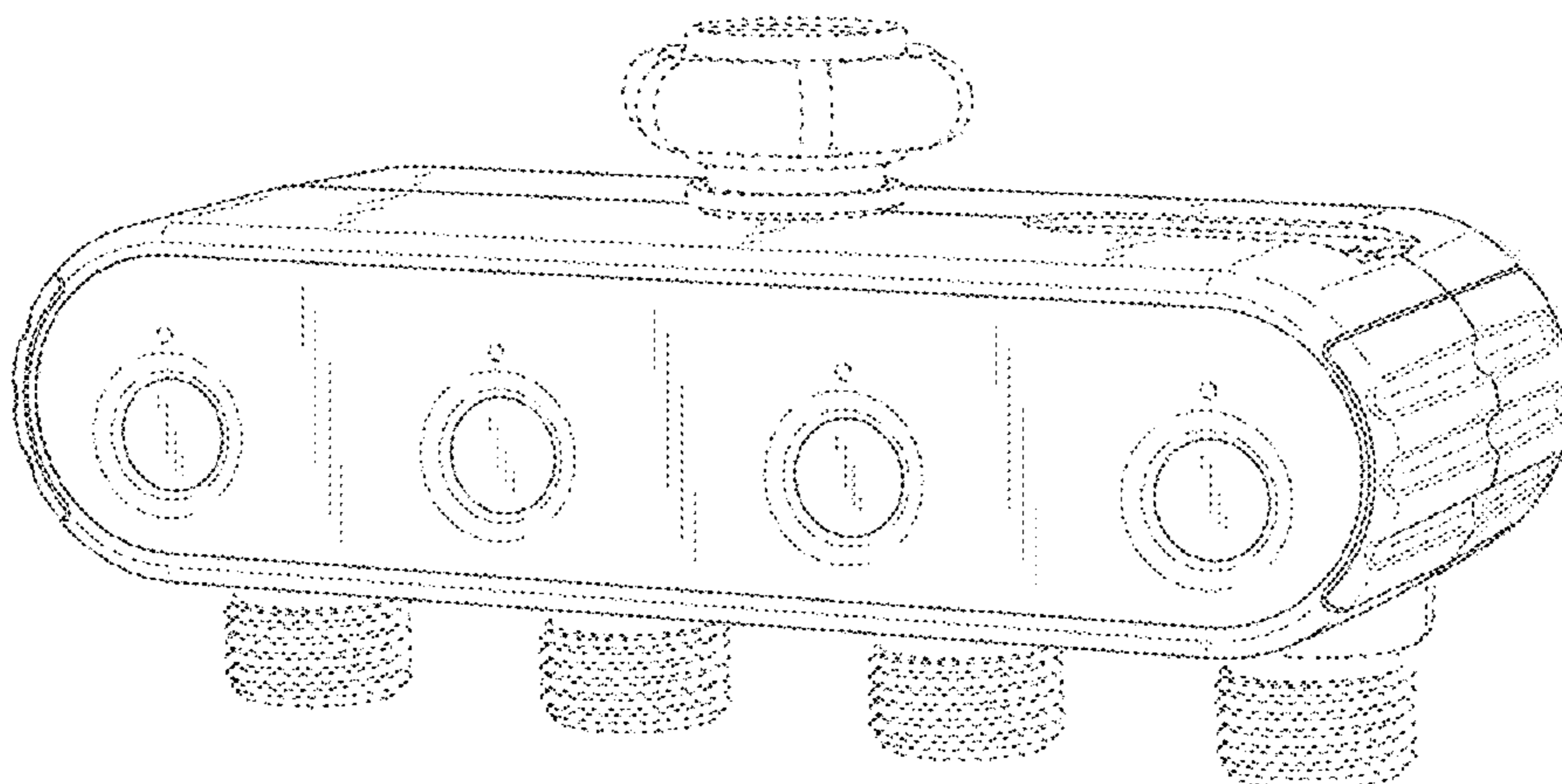
- 3,097,762 A 7/1963 Charnota et al.
- 4,130,135 A 12/1978 Moore
- 4,592,505 A 6/1986 Bruninga et al.
- 4,633,905 A 1/1987 Wang
- 4,708,264 A 11/1987 Bruninga
- 4,722,478 A 2/1988 Fletcher et al.
- D298,962 S 12/1988 Bruninga
- 4,807,664 A 2/1989 Wilson et al.
- D304,224 S 10/1989 Wilson et al.
- 5,101,859 A 4/1992 Roman
- 5,143,290 A 9/1992 Wang
- D365,771 S 1/1996 Clivio
- D377,316 S 1/1997 Roman et al.
- 5,816,619 A 10/1998 Schaede
- 5,826,619 A 10/1998 Roman
- D430,044 S 8/2000 Clivio
- D431,195 S 9/2000 Clivio

(57) **CLAIM**
An ornamental design for a faucet unit, as shown and described.

DESCRIPTION

FIG. 1 is a perspective view of a faucet unit;
FIG. 2 is a front view thereof;
FIG. 3 is a back view thereof;
FIG. 4 is a top view thereof;
FIG. 5 is a bottom view thereof;
FIG. 6 is a left side view thereof; and,
FIG. 7 is a right side view thereof.
The broken lines illustrate environmental structure only and form no part of the claimed design.

1 Claim, 7 Drawing Sheets



(56)

References Cited

U.S. PATENT DOCUMENTS

D647,411 S 10/2011 Barton et al.

D657,263 S 4/2012 Nies et al.
D657,264 S 4/2012 Nies et al.
8,166,704 B1* 5/2012 Sydlowski 47/48.5

* cited by examiner

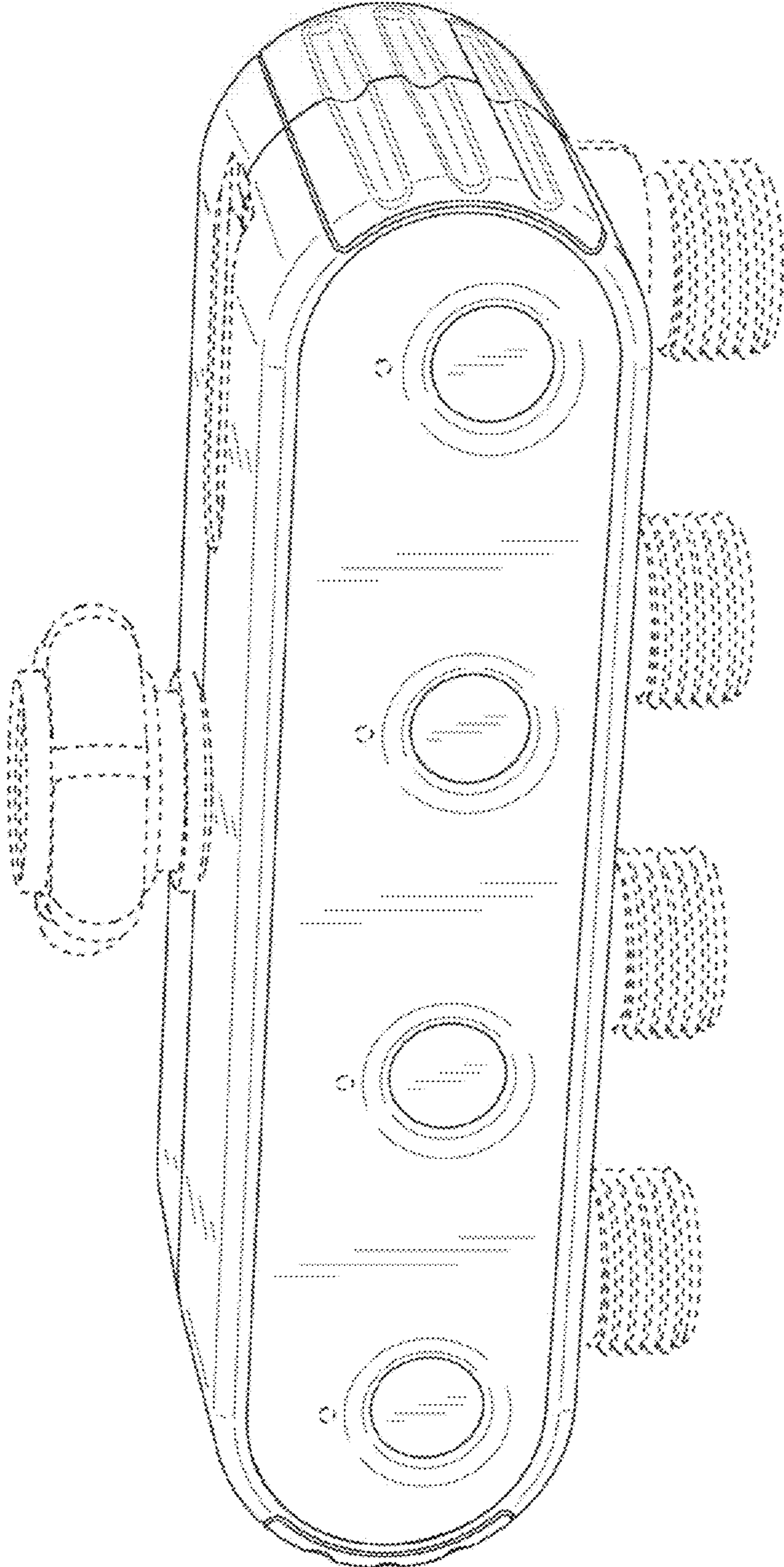


FIG.1

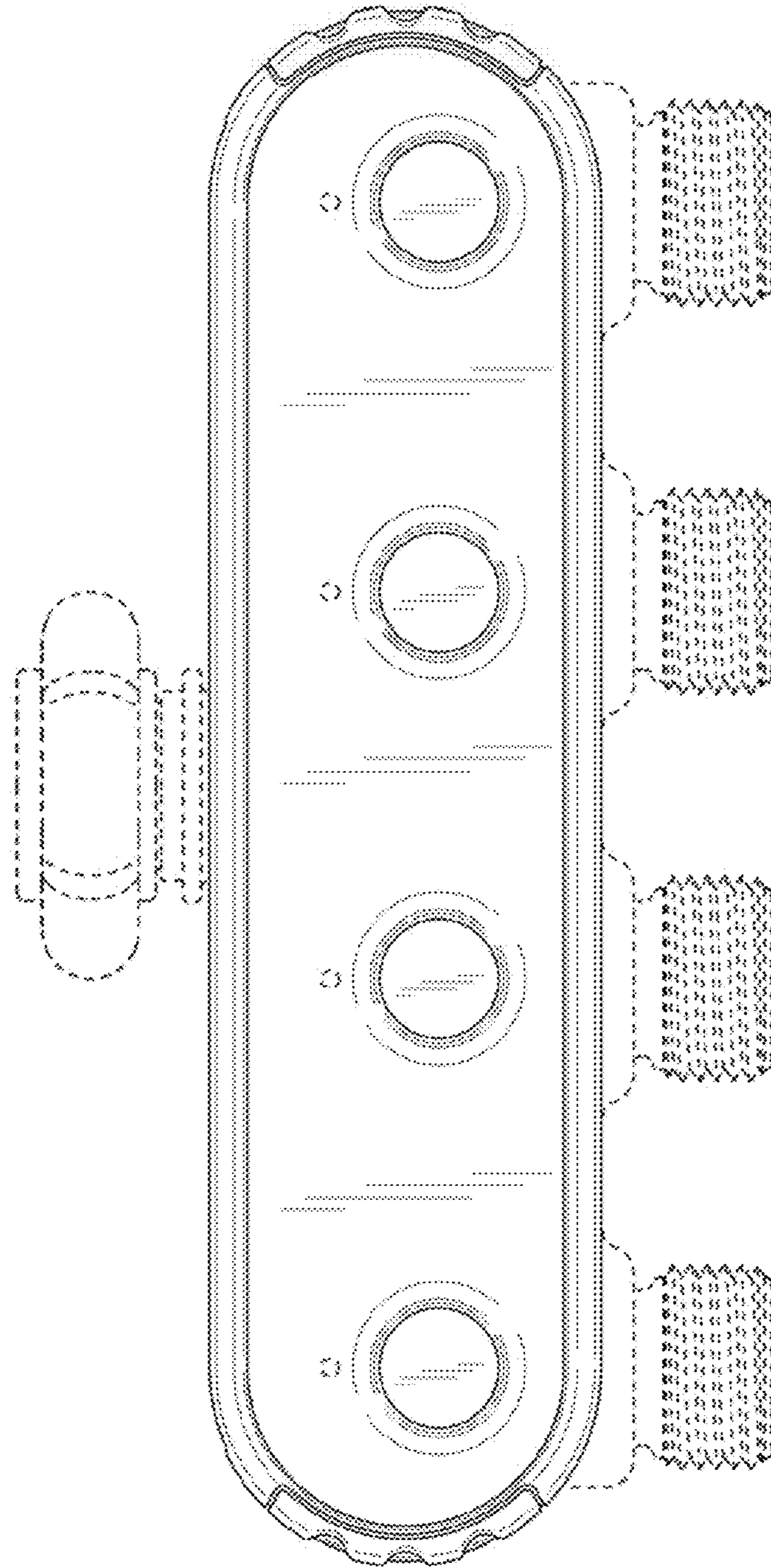


FIG.2

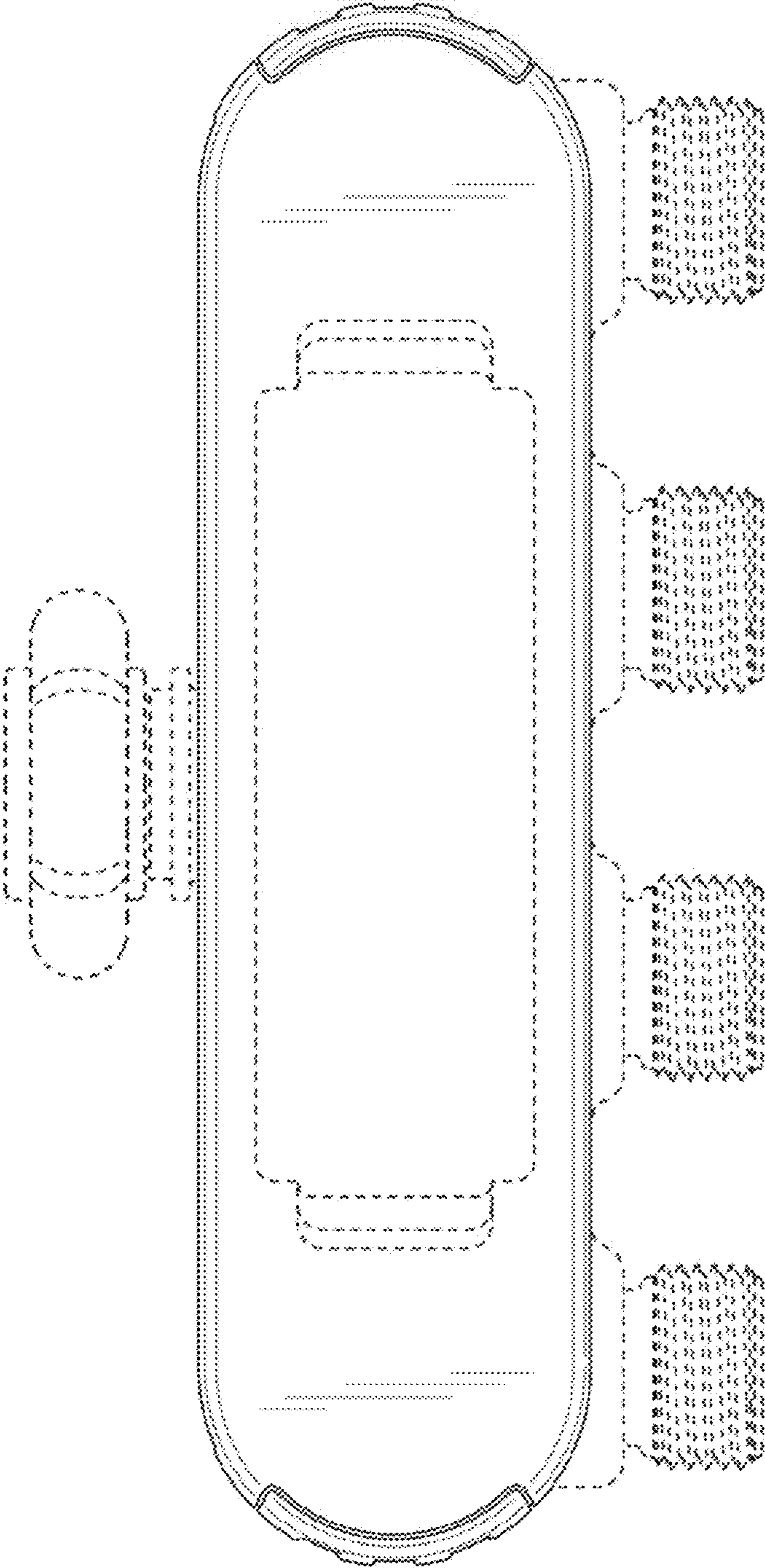


FIG.3

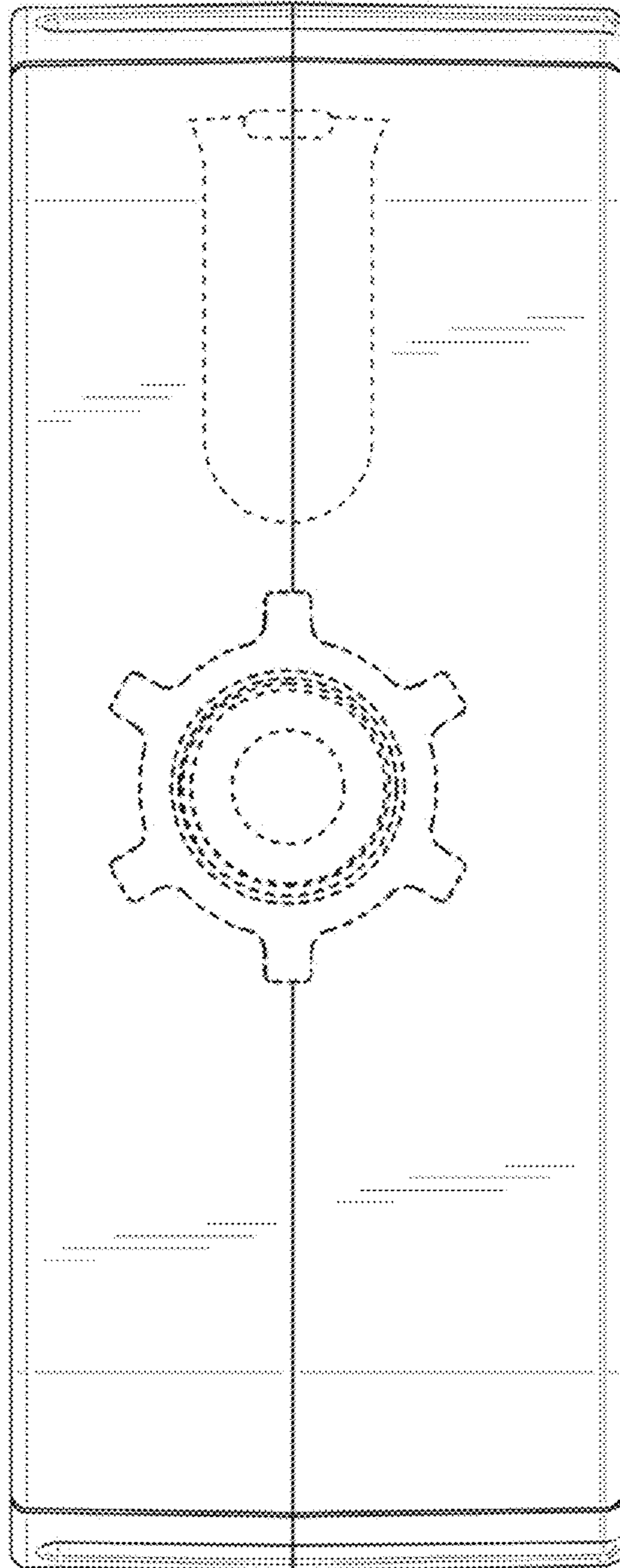


FIG. 4

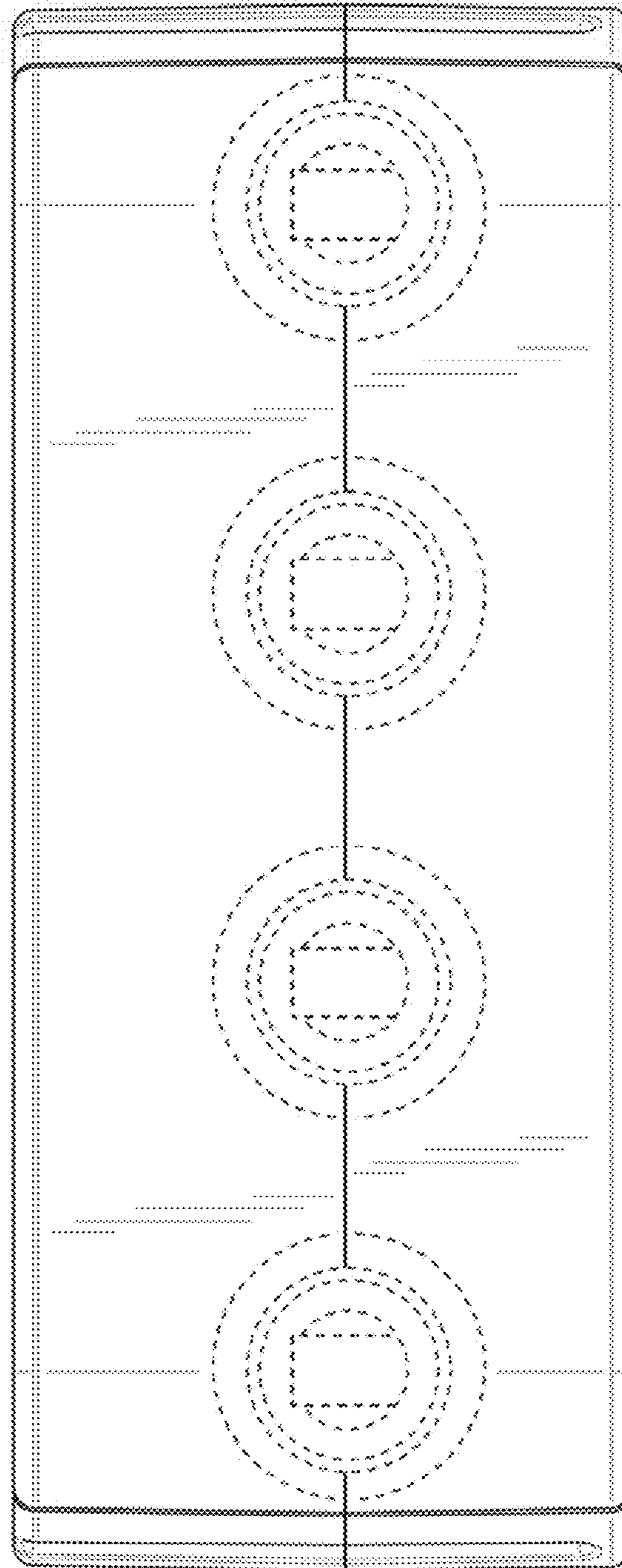


FIG. 5

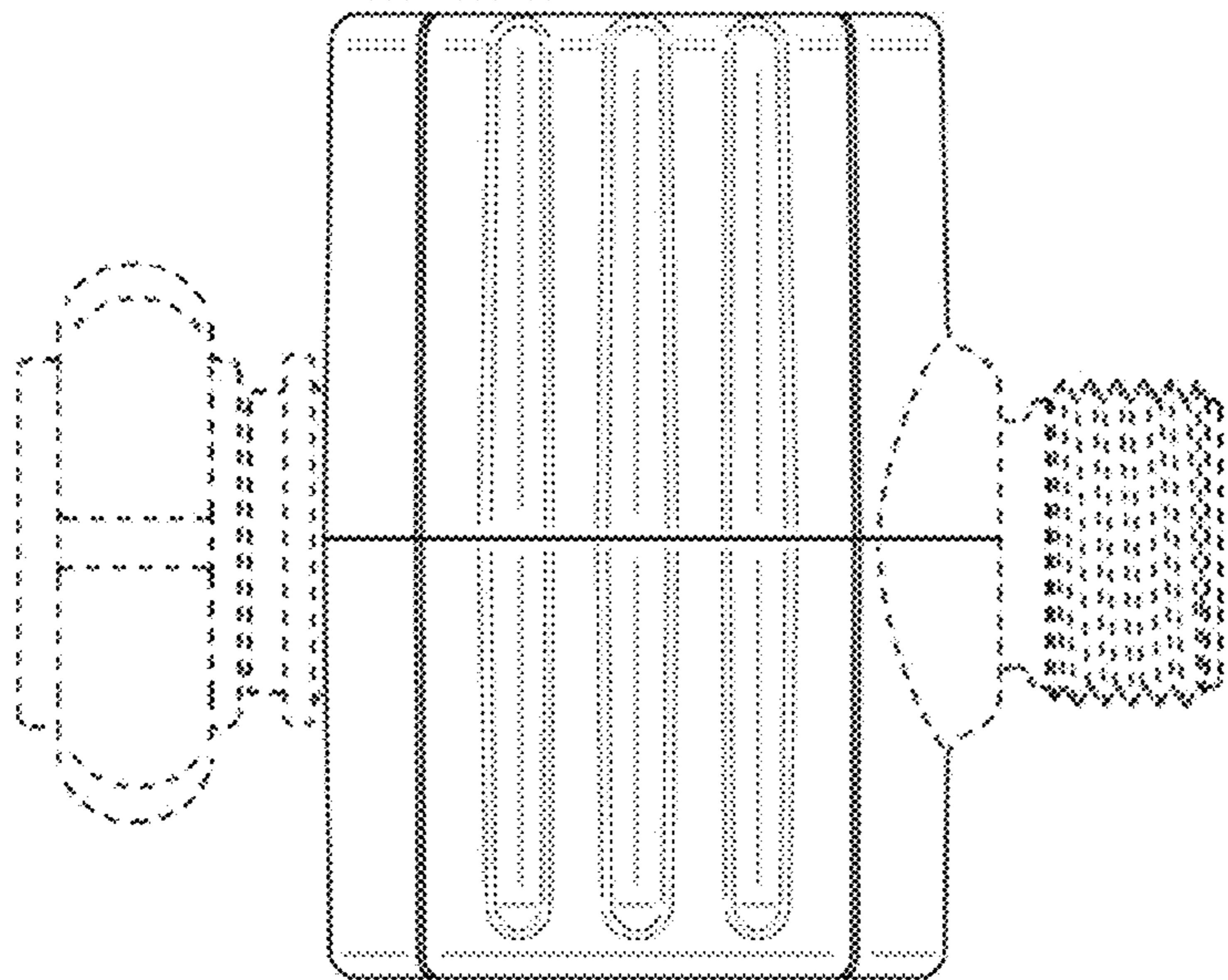


FIG. 6

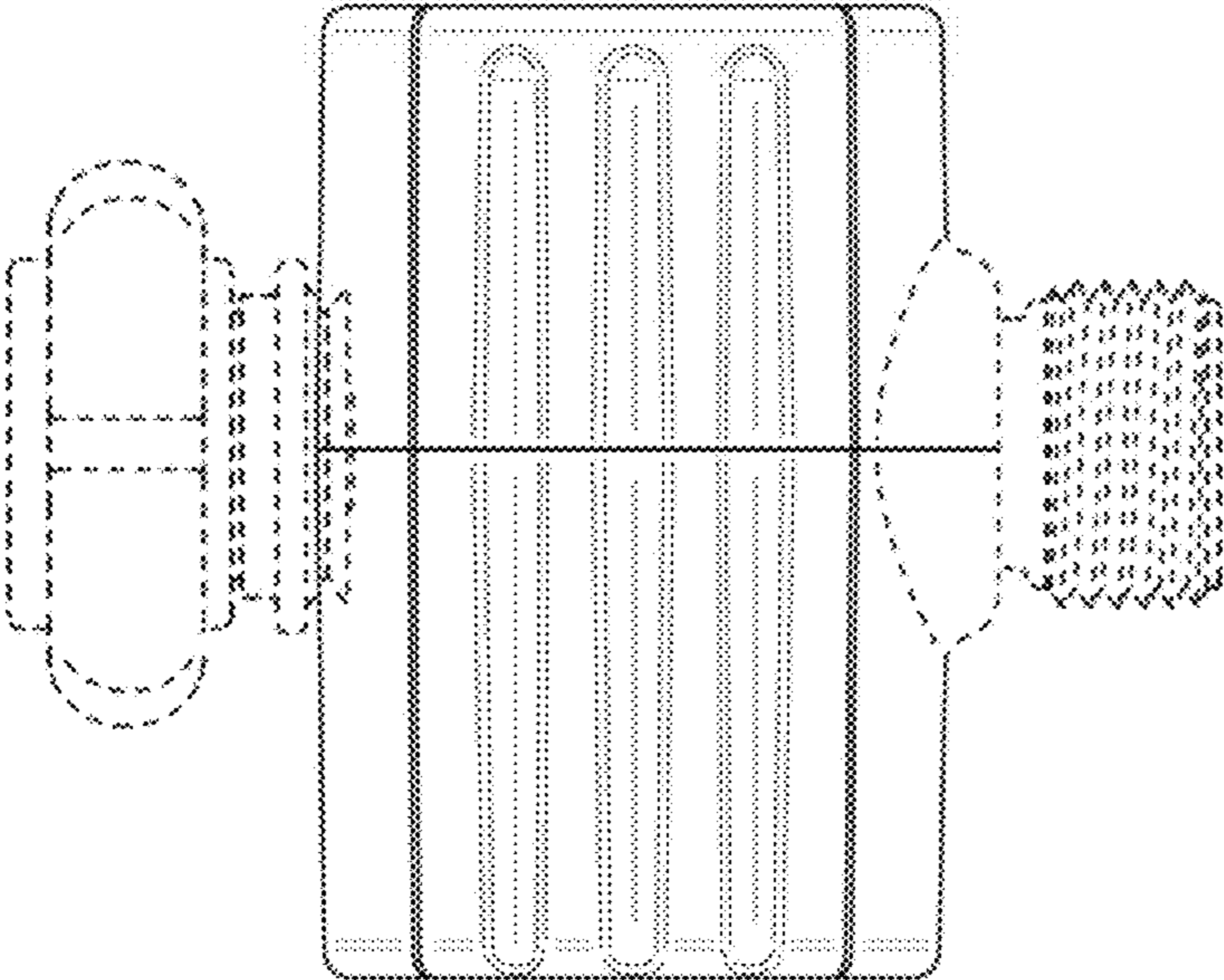


FIG. 7