



US00D720429S

(12) **United States Design Patent**
Tinius

(10) **Patent No.:** **US D720,429 S**

(45) **Date of Patent:** **** Dec. 30, 2014**

(54) **MANUAL SPRAYING MACHINE**

(71) Applicant: **Andreas Stihl AG & Co. KG,**
Waiblingen (DE)

(72) Inventor: **Michael Tinius,** Ulm (DE)

(73) Assignee: **Andreas Stihl AG & Co. KG,**
Waiblingen (DE)

(**) Term: **14 Years**

(21) Appl. No.: **29/477,300**

(22) Filed: **Dec. 20, 2013**

(30) **Foreign Application Priority Data**

Aug. 29, 2013 (EM) 002298893-0002

(51) **LOC (10) CL.** **23-01**

(52) **U.S. CL.**
USPC **D23/225**

(58) **Field of Classification Search**
CPC B05B 9/04; B05B 9/08
USPC D23/213, 202, 225; 239/152-154,
239/DIG. 14, 332-3; 222/465.1, 383.1
See application file for complete search history.

(56) **References Cited**

U.S. PATENT DOCUMENTS

2,162,057 A * 6/1939 Brandt et al. 239/154
4,848,660 A * 7/1989 O'Connell 239/154

5,636,791 A * 6/1997 Leer 239/142
6,729,558 B1 * 5/2004 Seenauth 239/152
6,769,628 B1 * 8/2004 Vaage et al. 239/152
7,175,104 B2 * 2/2007 Allen, IV 239/71
8,616,466 B2 * 12/2013 Strauss et al. 239/154
D706,388 S * 6/2014 Abernethy et al. D23/225

* cited by examiner

Primary Examiner — Robin V Webster

(74) *Attorney, Agent, or Firm* — McGuireWoods LLP

(57) **CLAIM**

I claim the ornamental design for a manual spraying machine,
as shown and described.

DESCRIPTION

FIG. 1 is a right-rear perspective view of the manual spraying machine;

FIG. 2 is a front view of the manual spraying machine shown in FIG. 1;

FIG. 3 is a rear view of the manual spraying machine shown in FIG. 1;

FIG. 4 is a left side view of the manual spraying machine shown in FIG. 1;

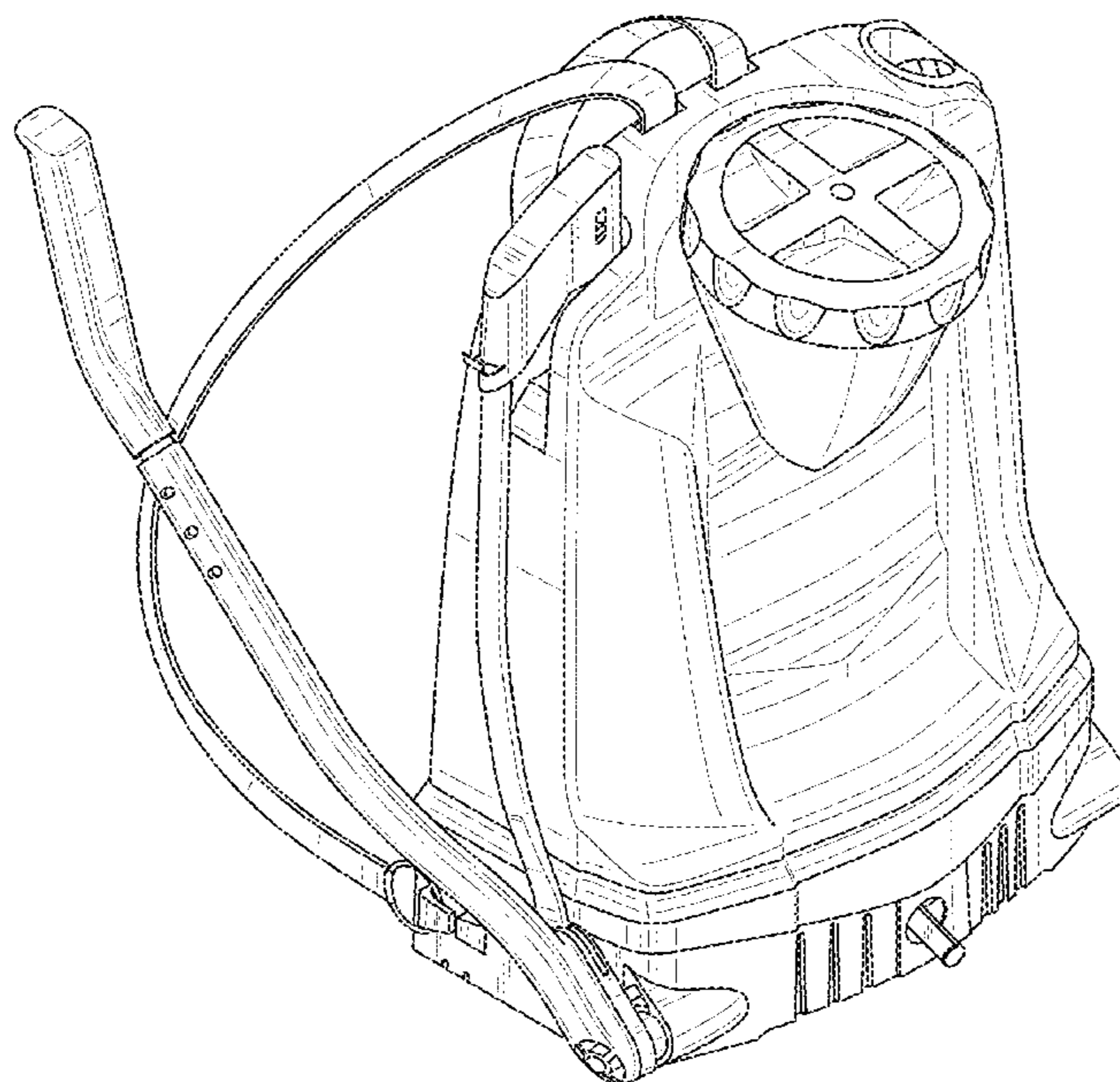
FIG. 5 is a right side view of the manual spraying machine shown in FIG. 1;

FIG. 6 is a top view of the manual spraying machine shown in FIG. 1; and,

FIG. 7 is a bottom view of the manual spraying machine shown in FIG. 1.

The subject matter shown in dashed lines, and any surfaces of the design not shown, including interior surfaces, form no part of the claimed invention.

1 Claim, 7 Drawing Sheets



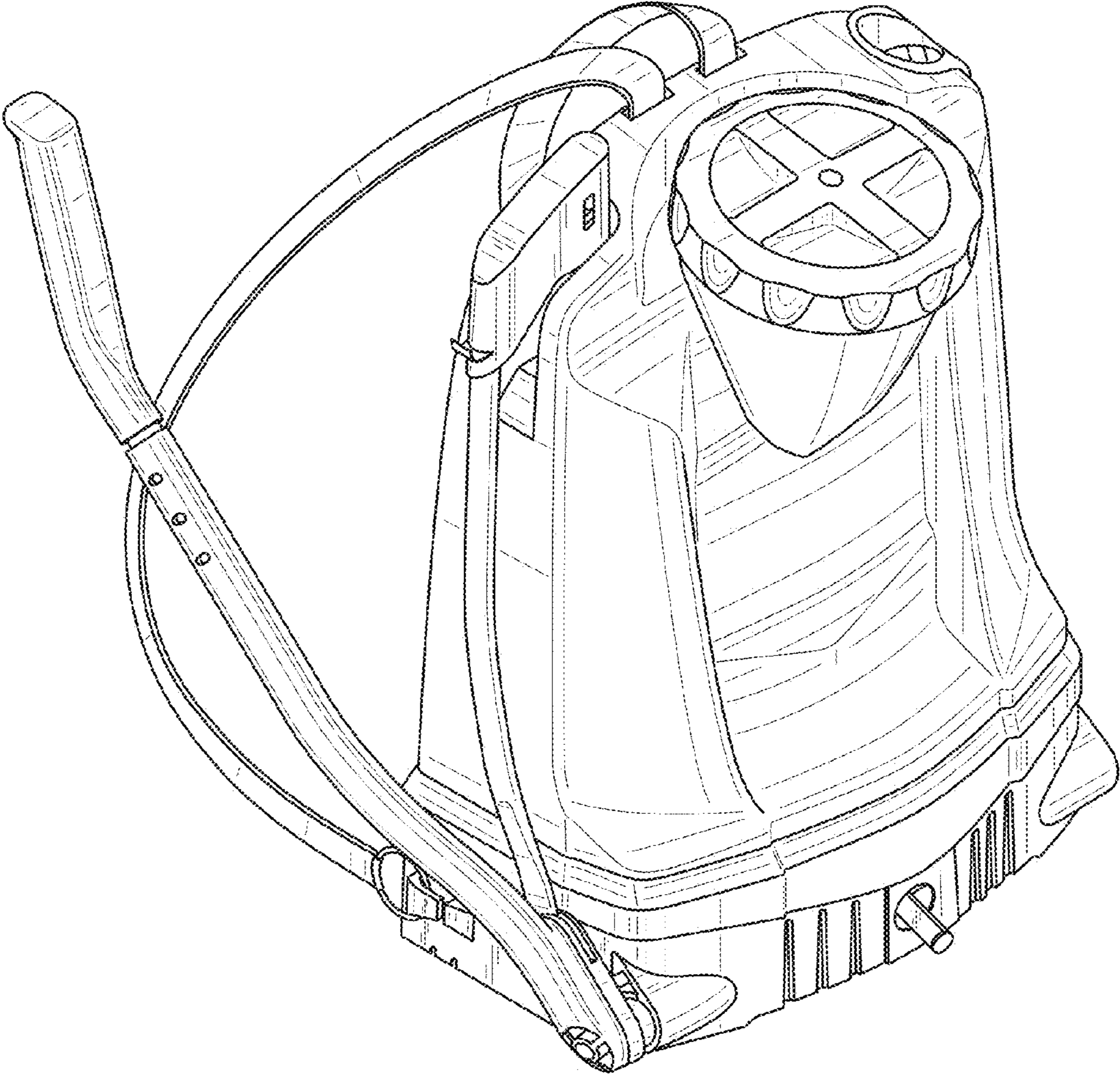


FIG. 1

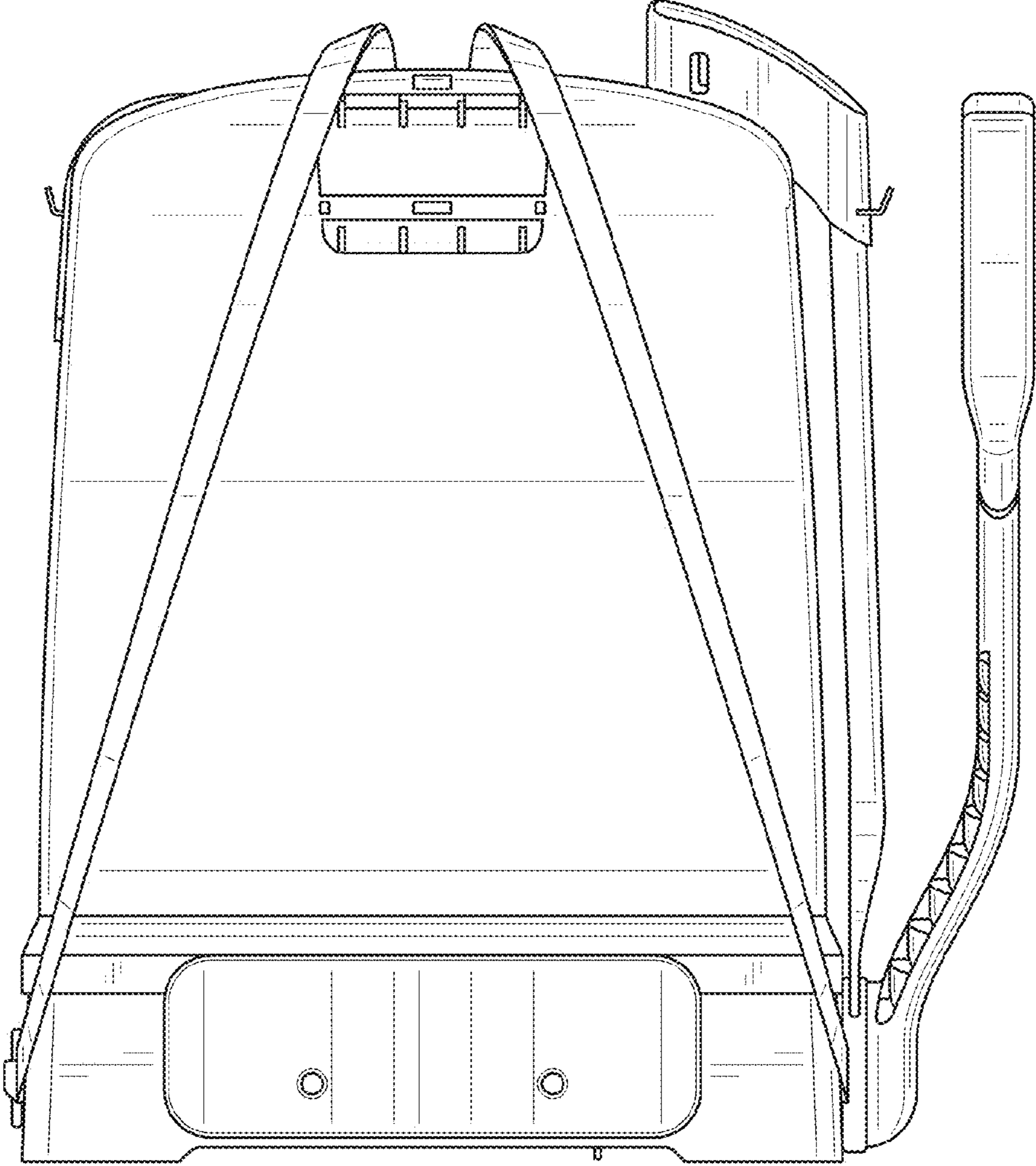


FIG. 2

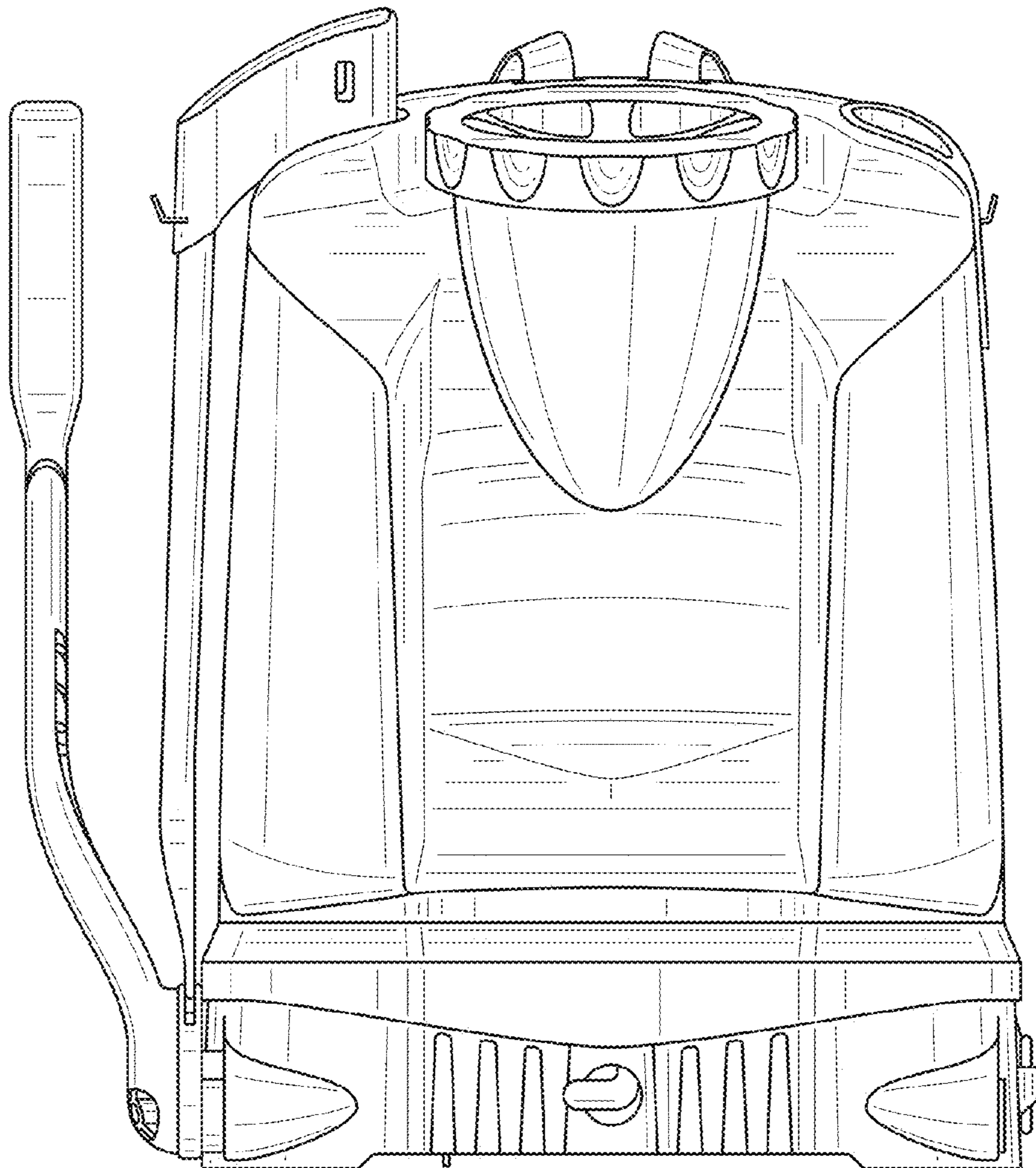


FIG. 3

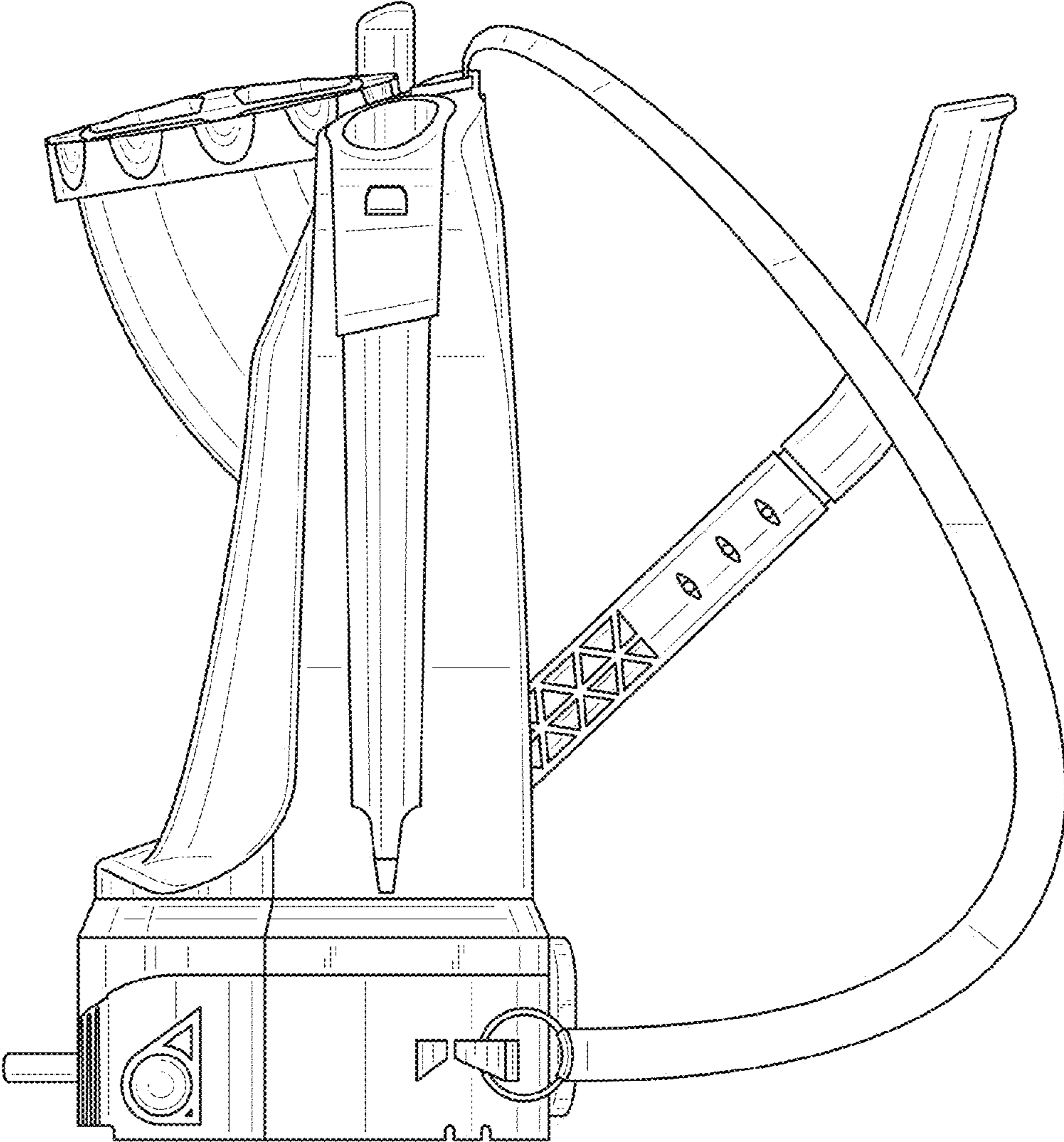


FIG. 4

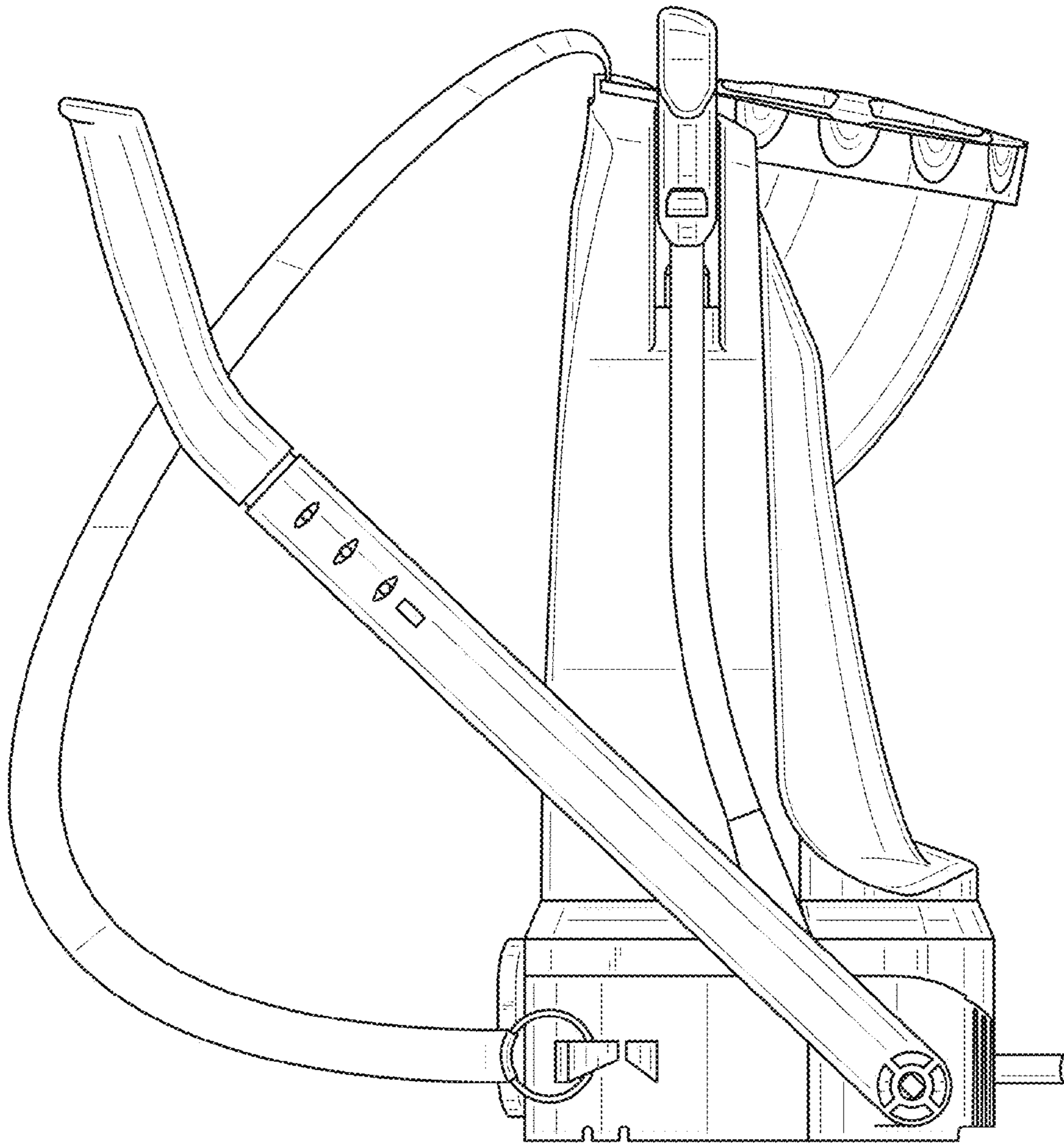


FIG. 5

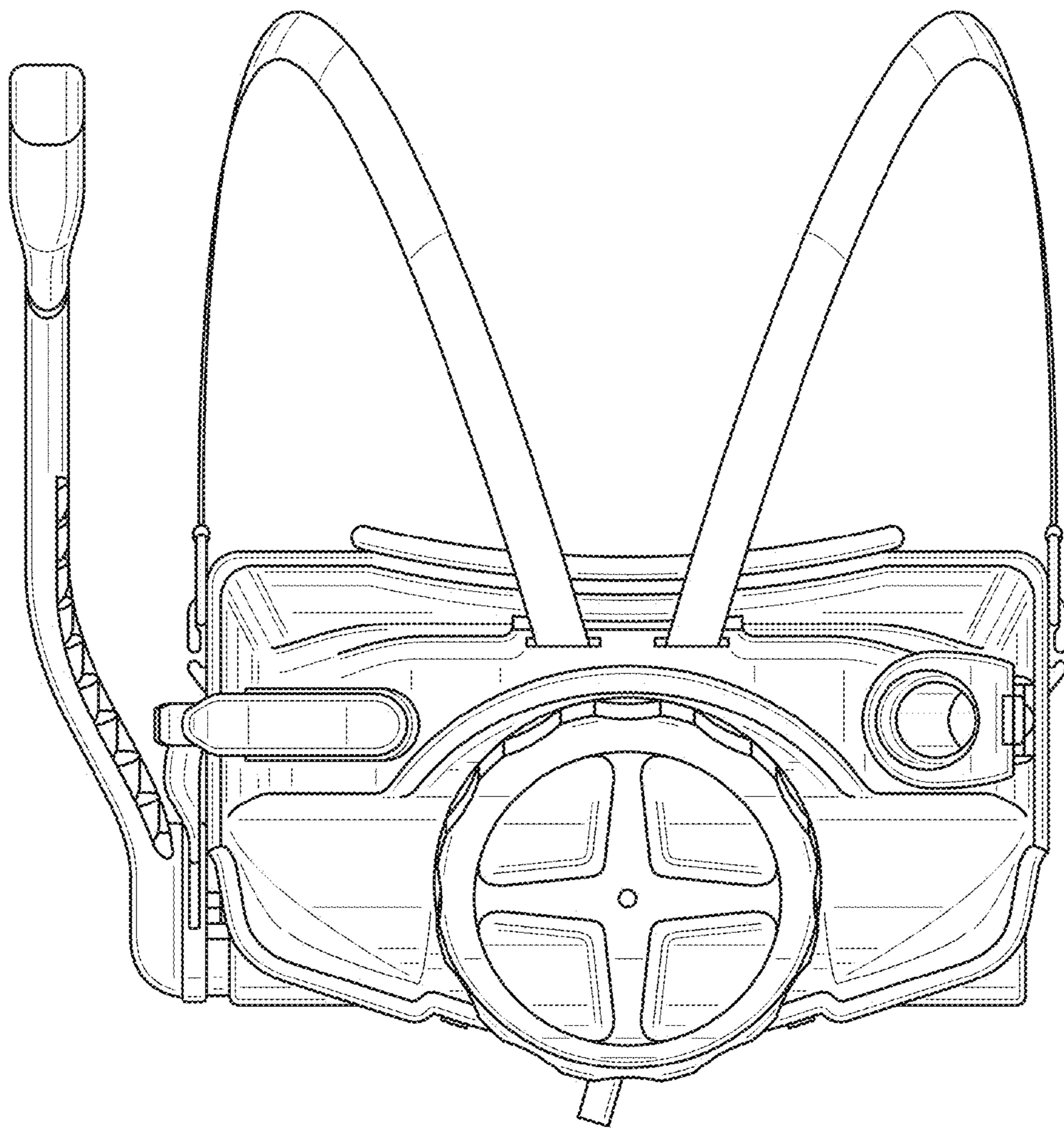


FIG. 6

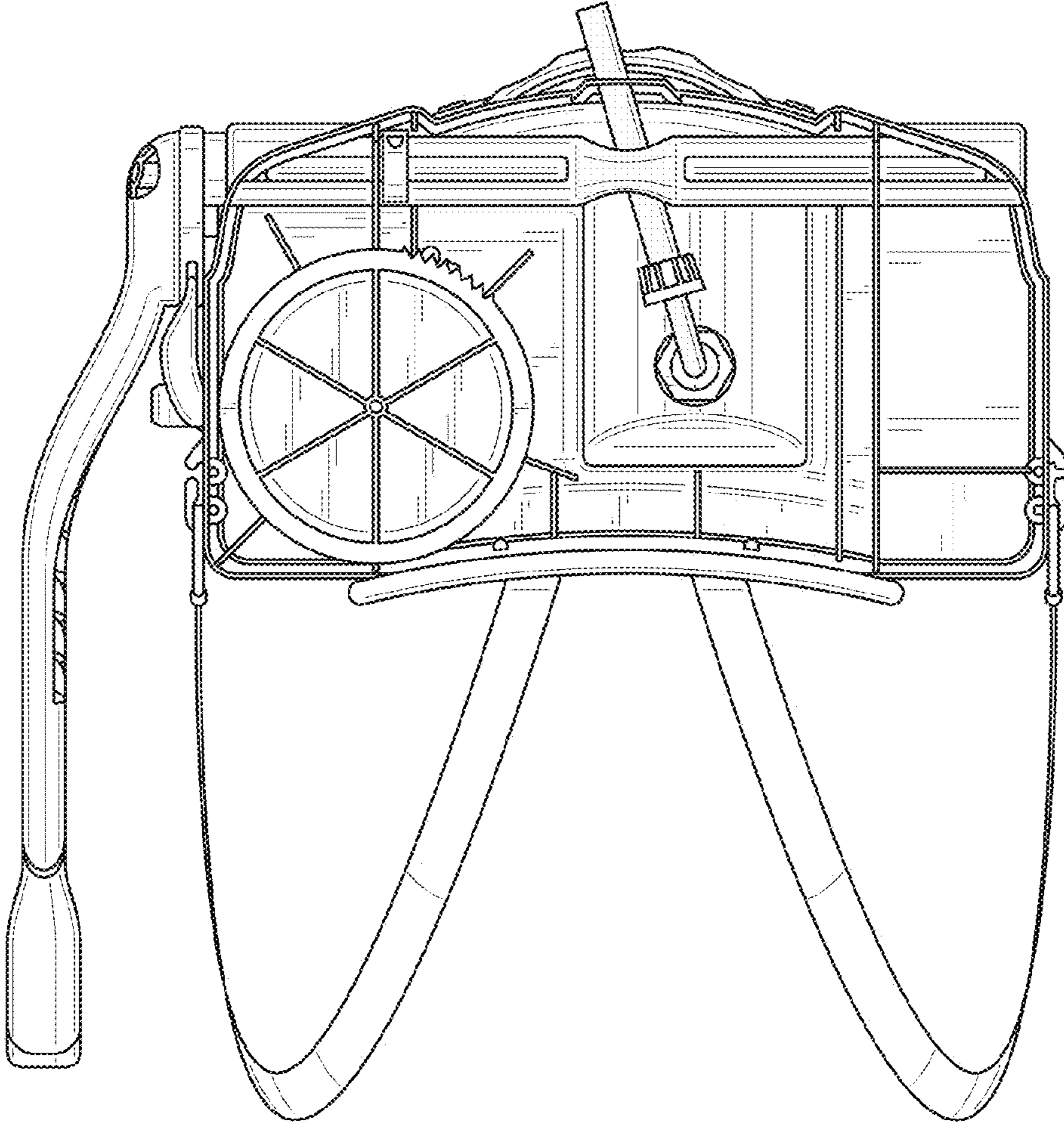


FIG. 7