



US00D720427S

(12) **United States Design Patent**
Wang et al.

(10) **Patent No.:** **US D720,427 S**
(45) **Date of Patent:** **** Dec. 30, 2014**

(54) **TOILET RIM BLOCK HOLDER AND TOILET RIM BLOCK**

(71) Applicant: **S.C. Johnson & Son, Inc.**, Racine, WI (US)

(72) Inventors: **Weiwei Wang**, Shanghai (CN); **Zheng Yu Zhang**, Shanghai (CN)

(73) Assignee: **S.C. Johnson & Son, Inc.**, Racine, WI (US)

(**) Term: **14 Years**

(21) Appl. No.: **29/468,734**

(22) Filed: **Oct. 2, 2013**

(51) **LOC (10) Cl.** **23-01**

(52) **U.S. Cl.**
USPC **D23/208**

(58) **Field of Classification Search**
CPC E03D 9/02; E03D 9/032
USPC D23/207, 208; 4/223, 225.1, 227.1, 4/231, 232
See application file for complete search history.

(56) **References Cited**

U.S. PATENT DOCUMENTS

1,974,955	A	9/1934	Foltis	
6,519,783	B2	2/2003	Falchieri	
6,647,558	B2	11/2003	Falchieri	
D507,628	S	7/2005	McLellan et al.	
D536,059	S	1/2007	King et al.	
D613,368	S	4/2010	Padain et al.	
7,788,740	B2	9/2010	De Belder et al.	
7,971,284	B2	7/2011	Pessel et al.	
8,051,503	B2	11/2011	Nguyen et al.	
D656,575	S *	3/2012	Muhlhausen D23/208
D656,576	S	3/2012	Muhlhausen	
D659,793	S	5/2012	Muhlhausen	

8,181,282	B2 *	5/2012	Butter-Jentsch et al. 4/231
D662,174	S *	6/2012	Reijnders D23/208
8,316,471	B2	11/2012	Pessel et al.	
D679,778	S	4/2013	Gerhards	
D689,167	S	9/2013	Gerhards	
D698,004	S *	1/2014	Bruining et al. D23/208

(Continued)

FOREIGN PATENT DOCUMENTS

CN	1995216318	7/1995
CN	00250078	9/2000

(Continued)

OTHER PUBLICATIONS

Tesco, "Duck 5In1 Rimblock", <http://www.tesco.com/groceries/Product/Details/?id=278608564>, Oct. 8, 2013, p. 1, published 2013.

(Continued)

Primary Examiner — Robin V Webster

(57) **CLAIM**

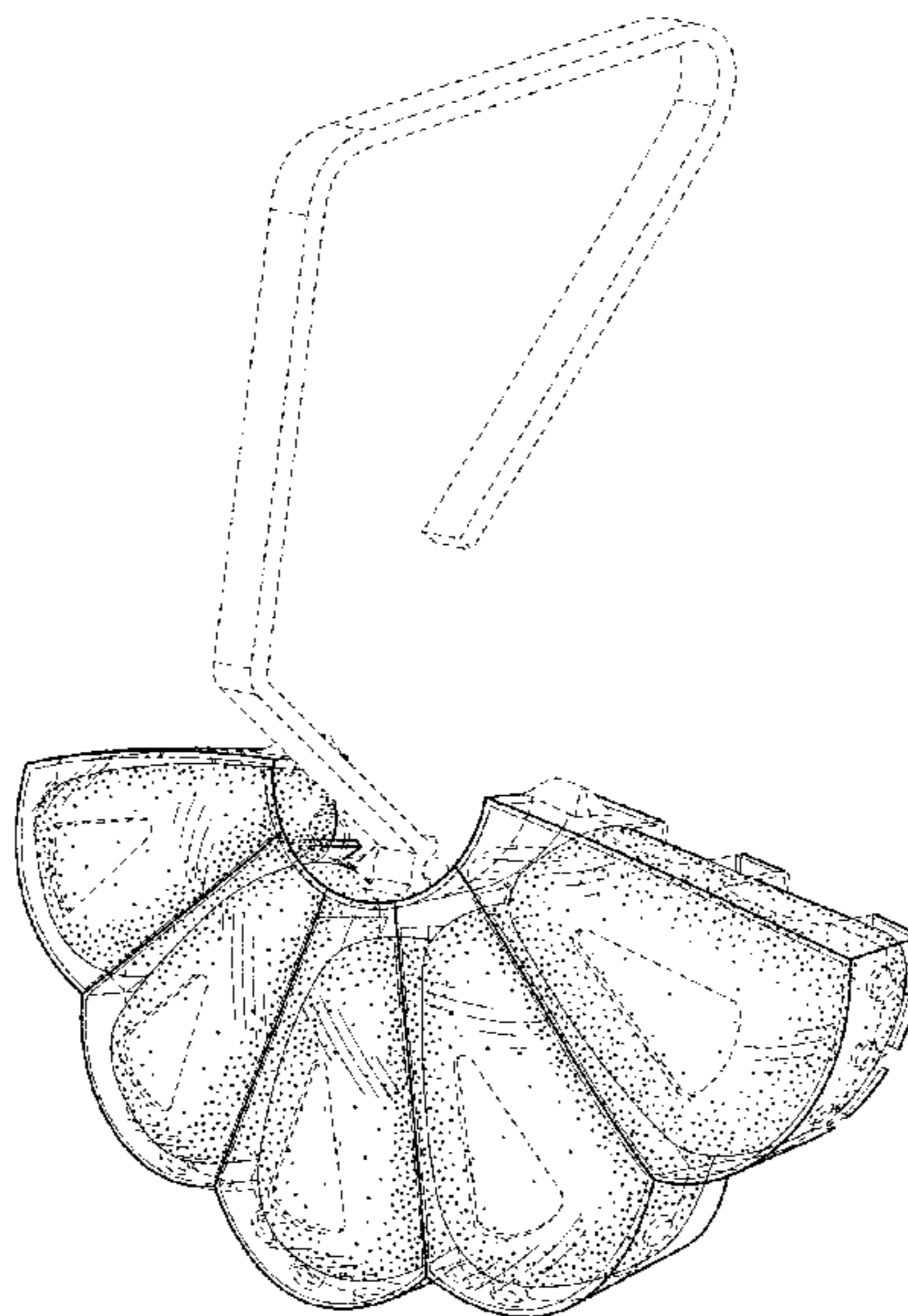
The ornamental design for a toilet rim block holder and toilet rim block, as shown and described.

DESCRIPTION

FIG. 1 is a top, front, right perspective view of a toilet rim block holder and toilet rim block showing our new design; FIG. 2 is a front view thereof; FIG. 3 is a rear view thereof; FIG. 4 is a left side view thereof; FIG. 5 is a right side view thereof; FIG. 6 is a top view thereof; and, FIG. 7 is a bottom view thereof.

The broken lines showing the remainder of the toilet rim block holder and toilet rim block are for environmental purposes only and form no part of the claimed design.

1 Claim, 5 Drawing Sheets



(56)

References Cited

U.S. PATENT DOCUMENTS

2001/0004775 A1 6/2001 Falchieri
 2002/0083514 A1 7/2002 Lhoste
 2002/0178493 A1 12/2002 Harrity et al.
 2003/0088908 A1 5/2003 Falchieri
 2003/0207964 A1 11/2003 Gazzaniga et al.
 2004/0068782 A1 4/2004 Butter-Jentsch et al.
 2004/0107484 A1 6/2004 Butter-Jentsch et al.
 2005/0014668 A1 1/2005 Bariou et al.
 2006/0137081 A1 6/2006 Ferrara et al.
 2007/0204387 A1 9/2007 Cornelius et al.
 2008/0313795 A1 12/2008 Lu
 2010/0192291 A1 8/2010 Burt et al.
 2010/0212074 A1 8/2010 Burt et al.
 2010/0299818 A1 12/2010 Lu
 2011/0099698 A1 5/2011 Butter-Jentsch et al.
 2012/0047640 A1 3/2012 Butter-Jentsch et al.
 2012/0266368 A1 10/2012 Butter-Jentsch et al.
 2012/0266369 A1 10/2012 Butter-Jentsch et al.
 2012/0266370 A1 10/2012 Butter-Jentsch et al.
 2013/0104304 A1 5/2013 Wilson et al.
 2013/0239313 A1 9/2013 Schiedel et al.

FOREIGN PATENT DOCUMENTS

CN 2006260877 6/2006
 CN 2006260878 6/2006

EM 0019735790001 1/2012
 EM 0019735790002 1/2012
 EM 0019735790003 1/2012
 EM 0021333140001 11/2012
 EP 0940509 9/1999
 EP 1334239 8/2003
 EP 2132383 12/2009
 EP 1789099 2/2010
 EP 2183439 5/2010
 EP 2227604 9/2010
 EP 2305901 6/2011
 EP 2305900 8/2013
 WO D079761-001 12/2001
 WO 2009/086947 7/2009
 WO 2009/086948 7/2009
 WO 2010/018006 2/2010
 WO 2012/062914 5/2012
 WO D078587-001 6/2012
 WO D078587-002 6/2012
 WO D078587-003 6/2012
 WO D078588-001 6/2012
 WO D078588-002 6/2012
 WO D078588-003 6/2012

OTHER PUBLICATIONS

Myshopping.com.au, "2x Glade Perfume Toilet Block Lavender"
http://www.myshopping.com.au/ZM--1234107356_2x_glade_perfume_toilet_block_lavender, Oct. 8, 2013, p. 1, published 2013.

* cited by examiner

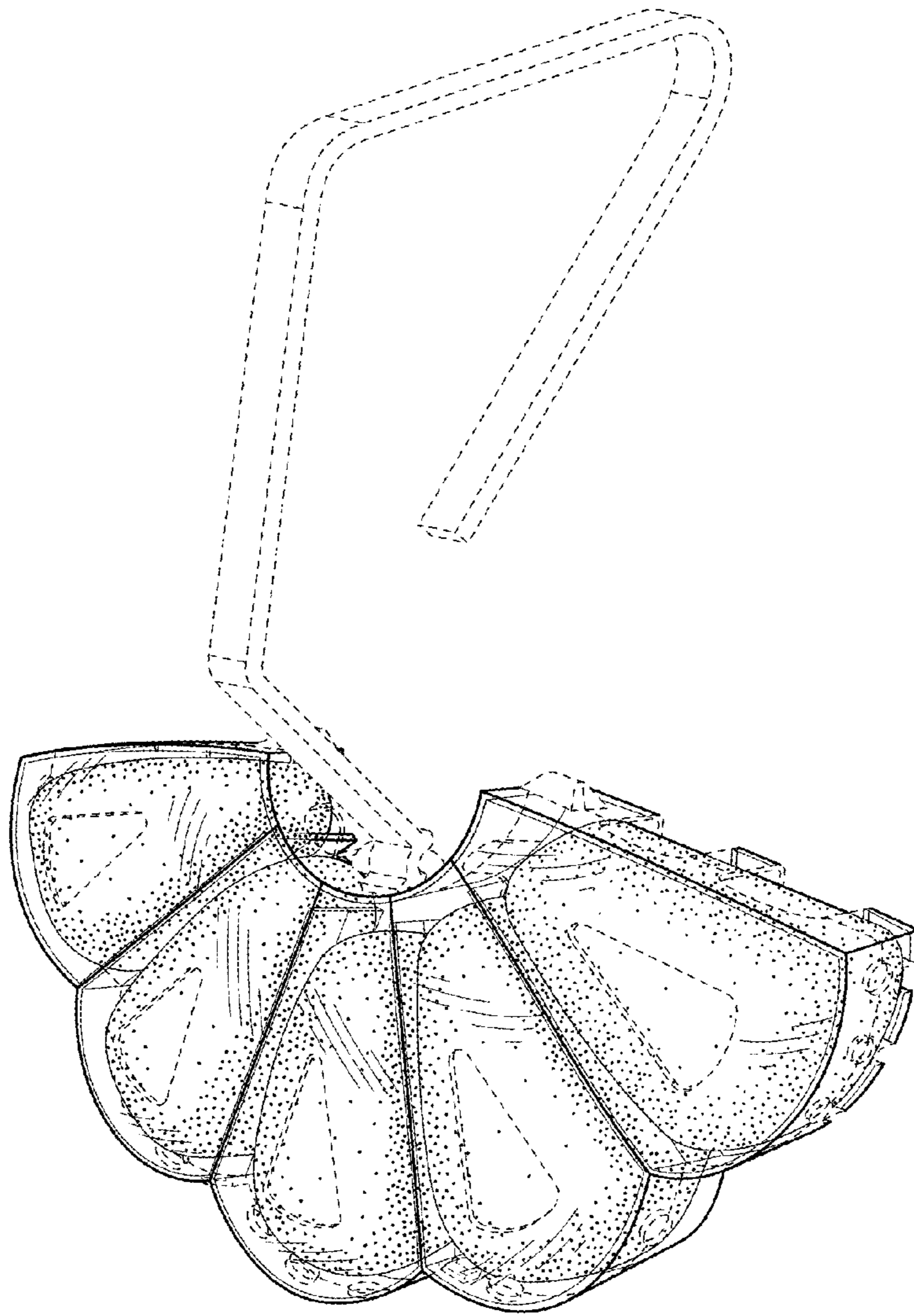


FIG. 1

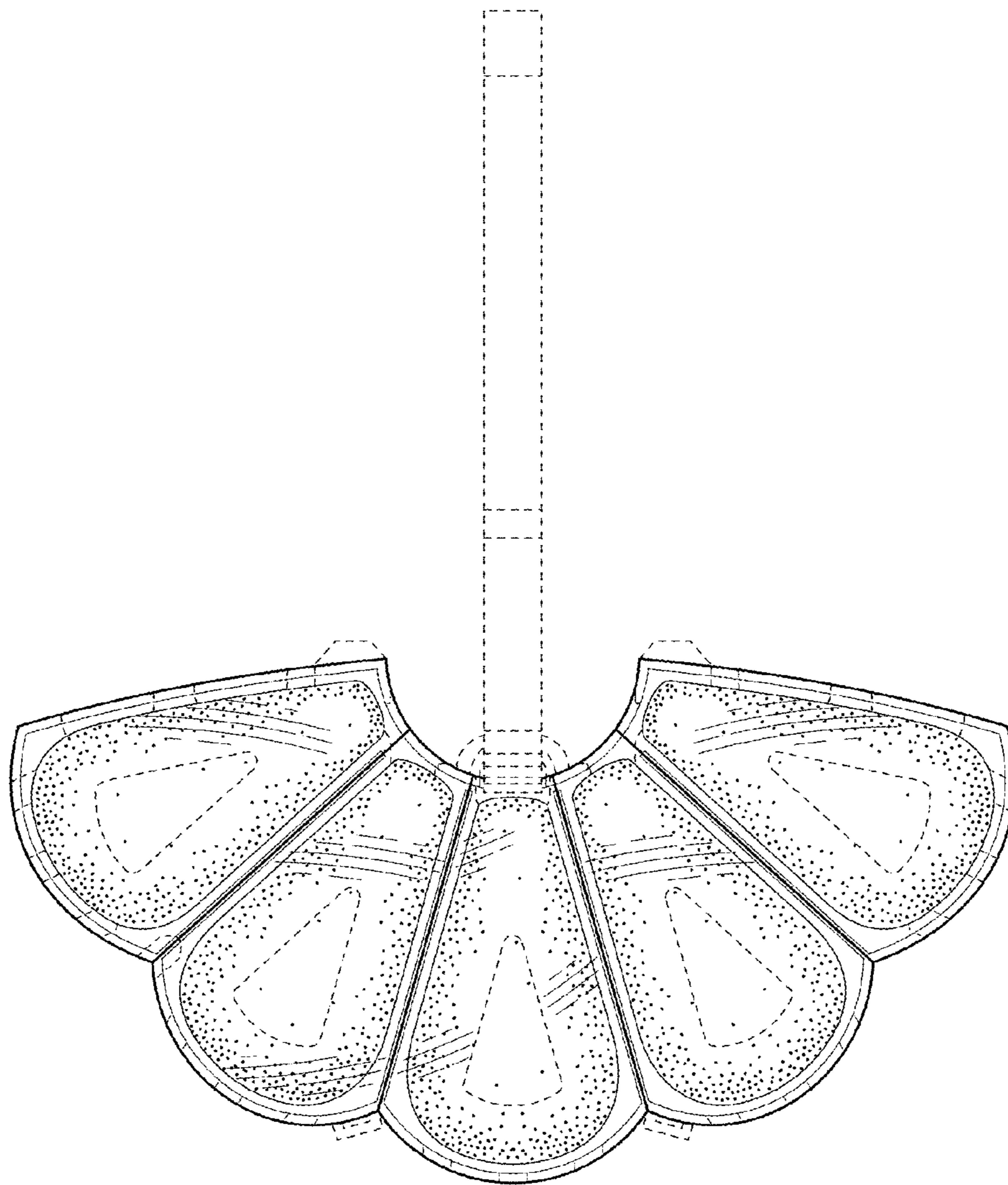


FIG. 2

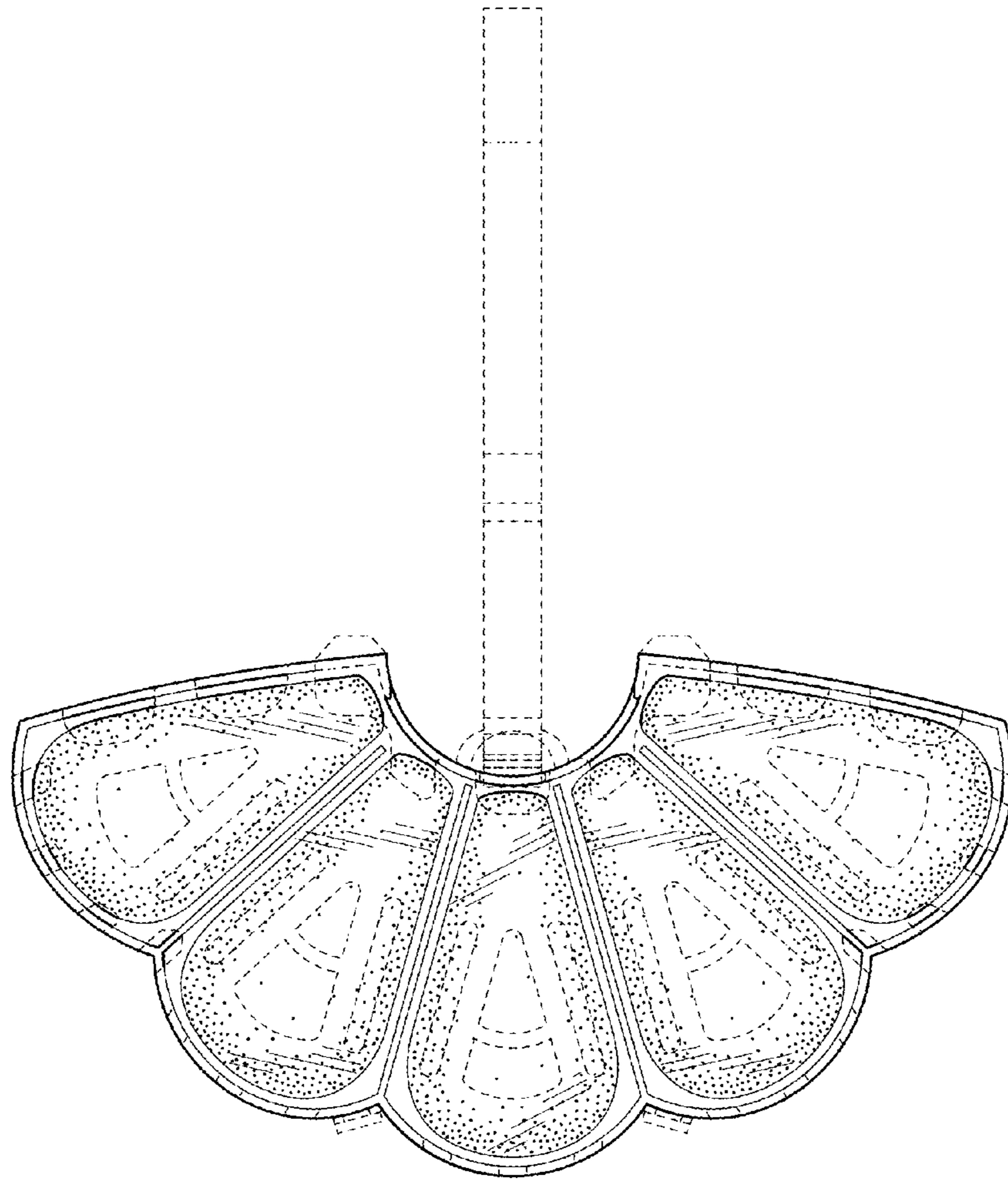


FIG. 3

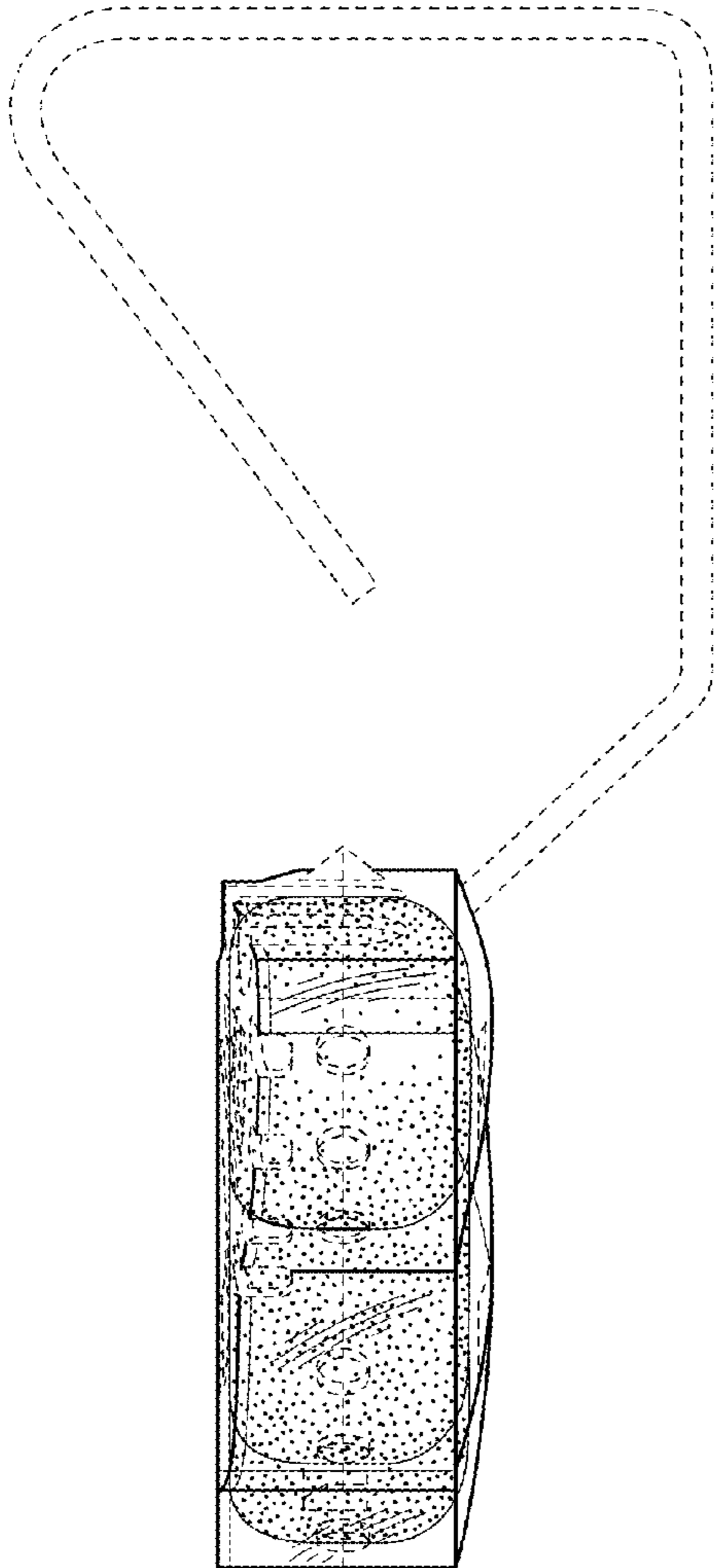


FIG. 4

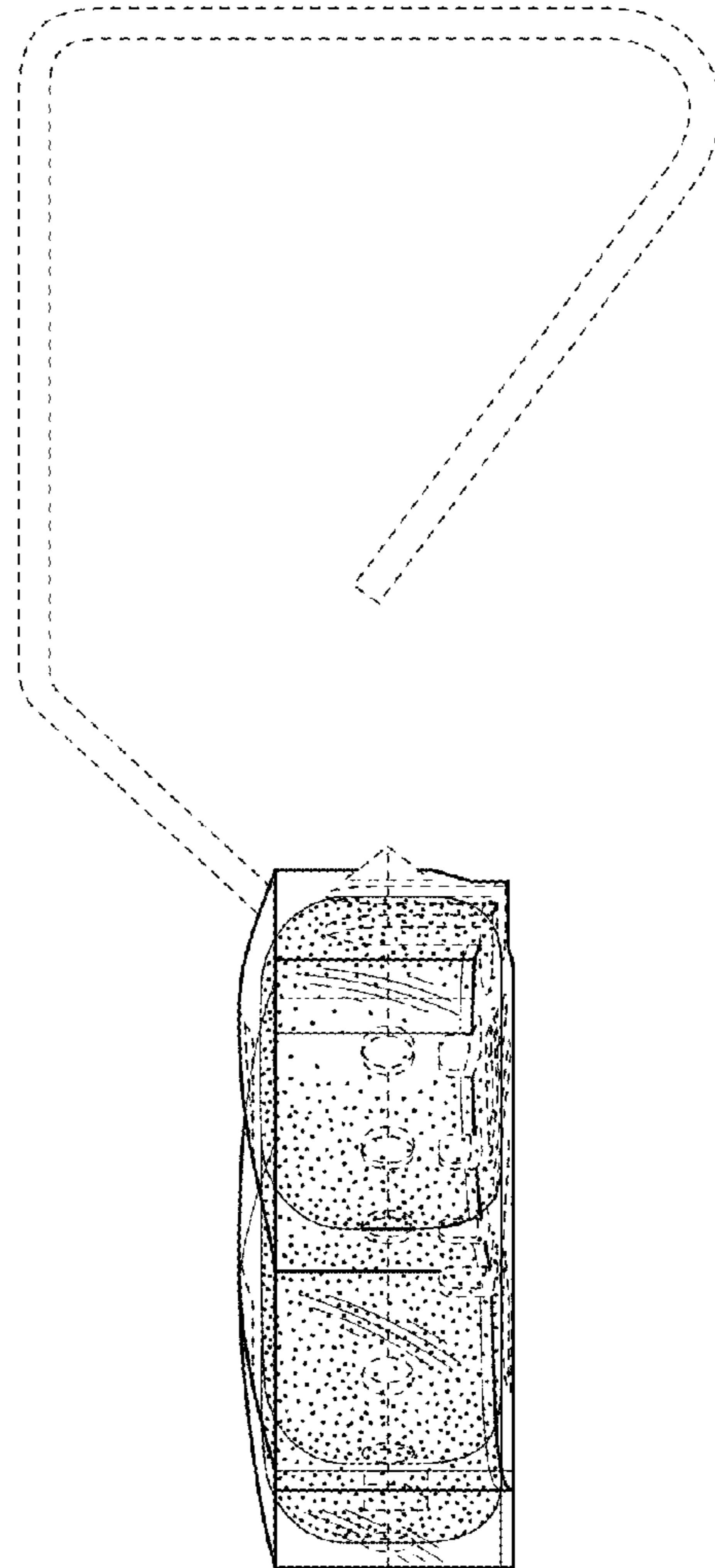


FIG. 5

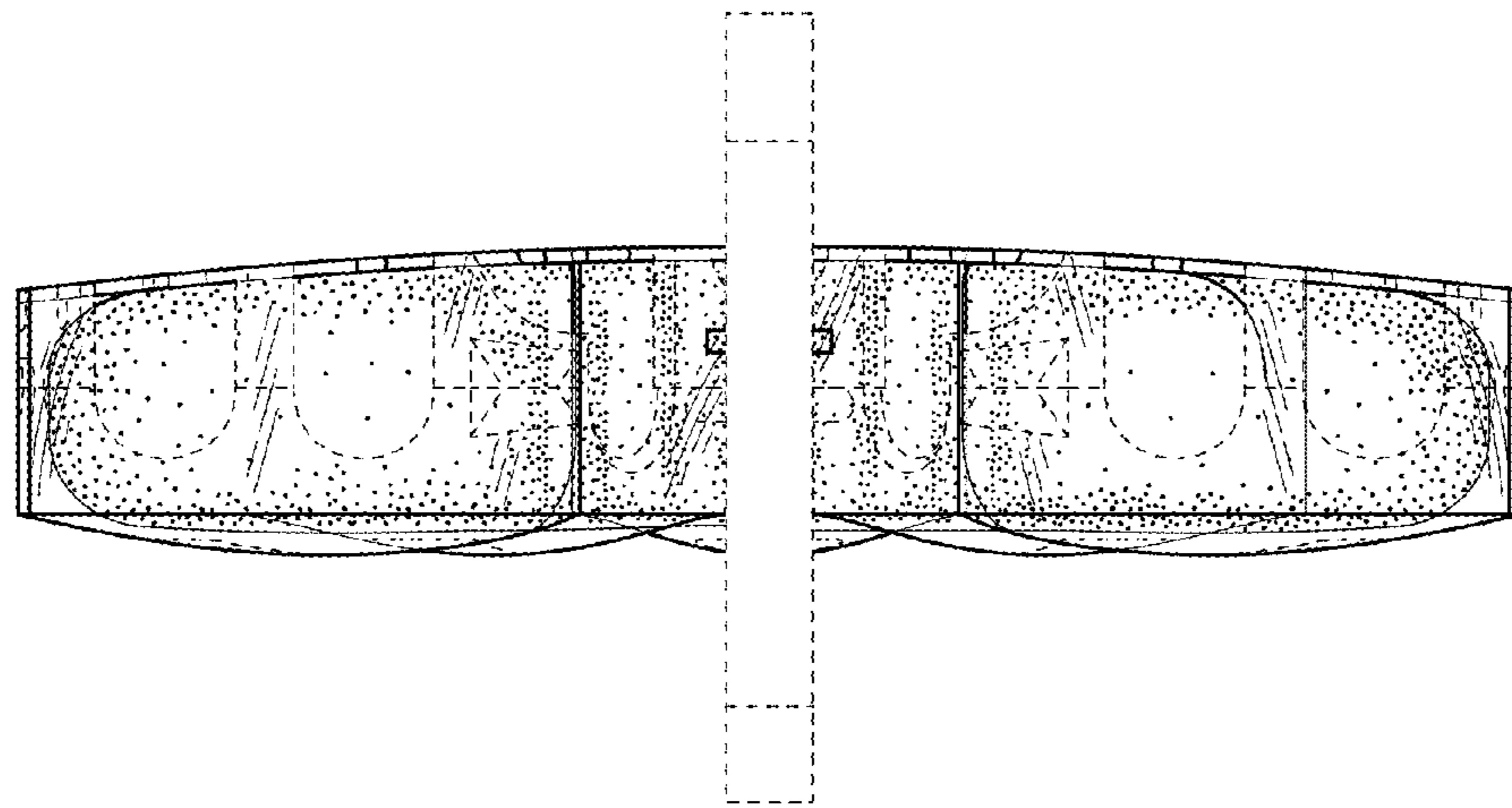


FIG. 6

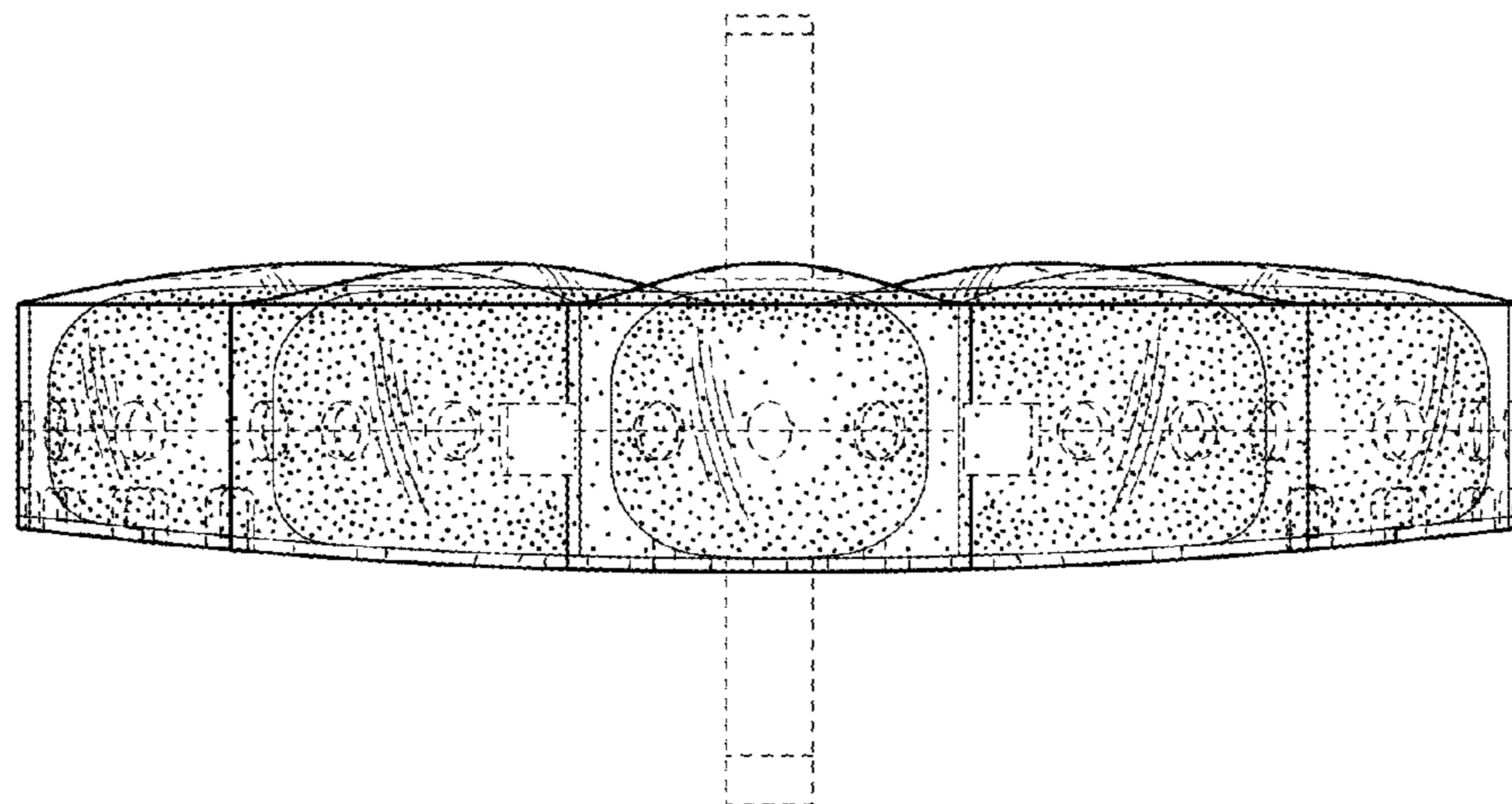


FIG. 7