



US00D720425S

(12) **United States Design Patent**
Caldwell

(10) **Patent No.:** **US D720,425 S**

(45) **Date of Patent:** **** Dec. 30, 2014**

(54) **DISTILLATION TANK FACADE**

(56) **References Cited**

(71) Applicant: **Paul Evans Caldwell**, Ashford, AL (US)

U.S. PATENT DOCUMENTS

(72) Inventor: **Paul Evans Caldwell**, Ashford, AL (US)

3,609,930 A * 10/1971 Crandal 52/245
D330,095 S * 10/1992 Dreyfus D23/206

(**) Term: **14 Years**

* cited by examiner

(21) Appl. No.: **29/462,857**

Primary Examiner — Robin V Webster

(22) Filed: **Aug. 9, 2013**

(57) **CLAIM**

The ornamental design for a distillation tank facade, as shown and described.

(51) **LOC (10) Cl.** **23-01**

DESCRIPTION

(52) **U.S. Cl.**

USPC **D23/206**

FIG. 1 is a perspective front view of a distillation tank facade; FIG. 2 is a front elevation view of the distillation tank facade; the rear elevation, left side elevation view, and right side elevation view being an identical image thereof;

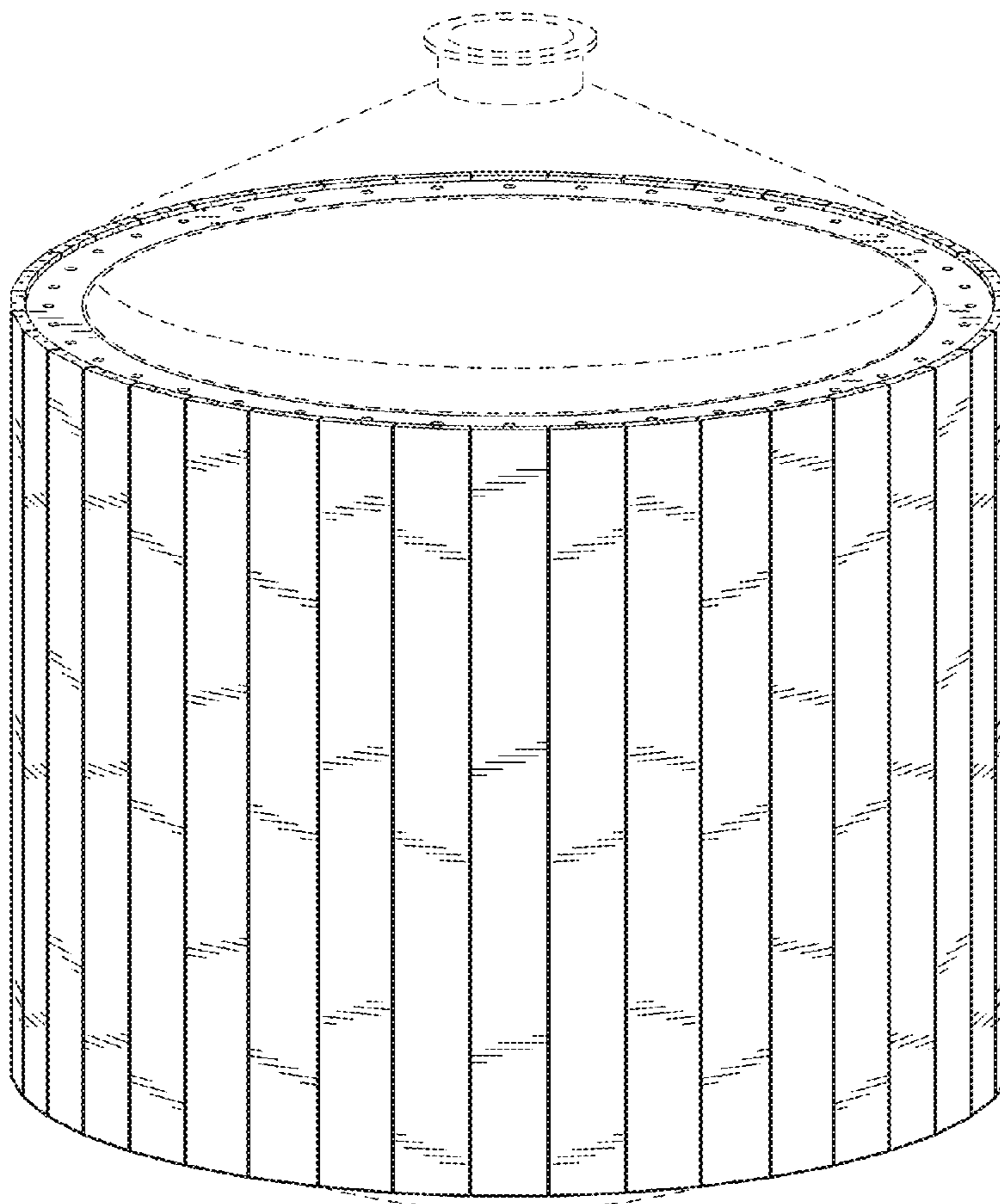
(58) **Field of Classification Search**

USPC D23/202, 206, 207; 220/582, 565, 587,
220/581

FIG. 3 is a top plan view of the distillation tank facade; and, FIG. 4 is a bottom plan view of the distillation tank facade. The distillation tank is shown in broken lines for illustrative purposes only and forms no part of the claimed design.

See application file for complete search history.

1 Claim, 3 Drawing Sheets



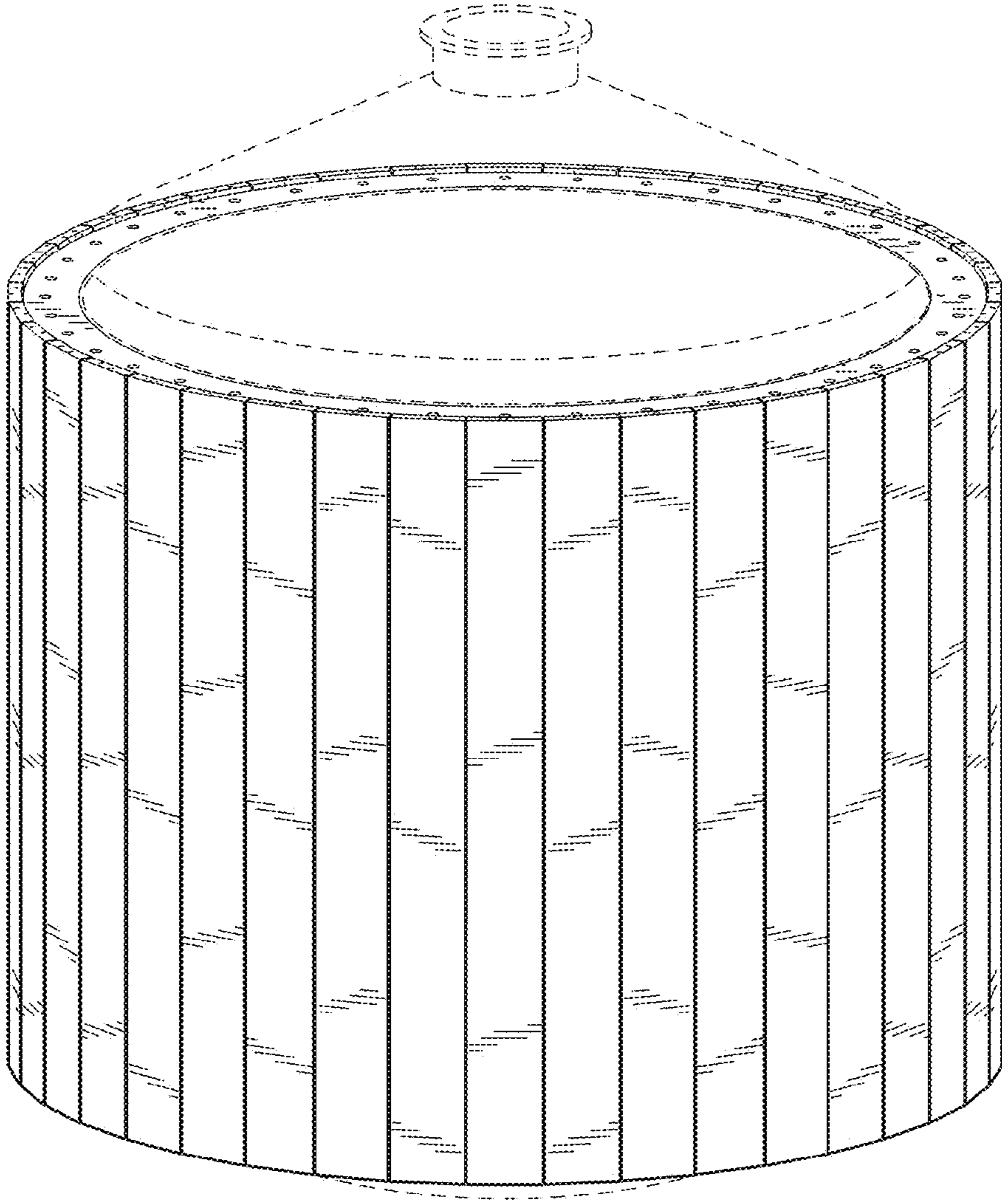


FIG. 1

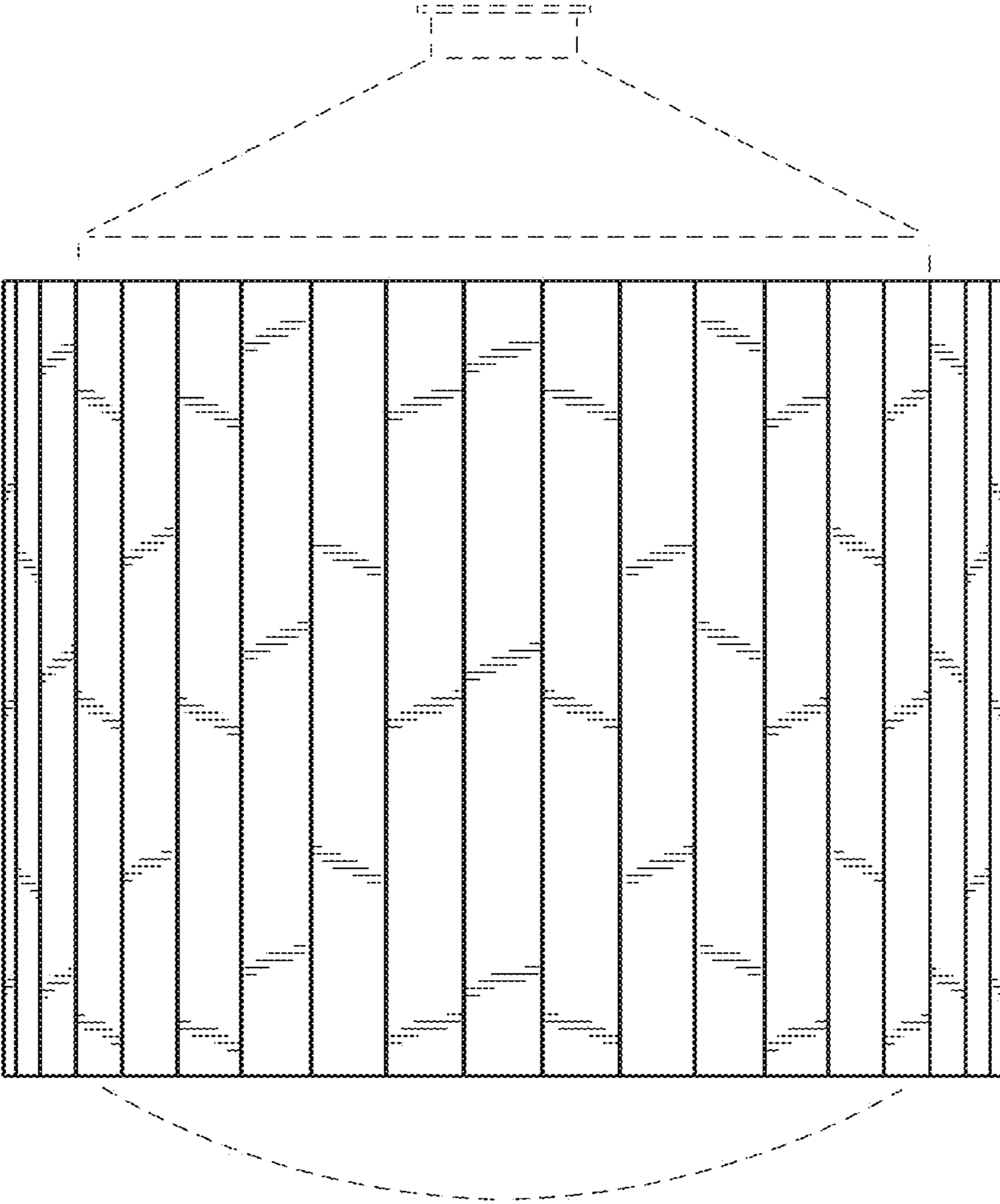


FIG. 2

FIG. 3

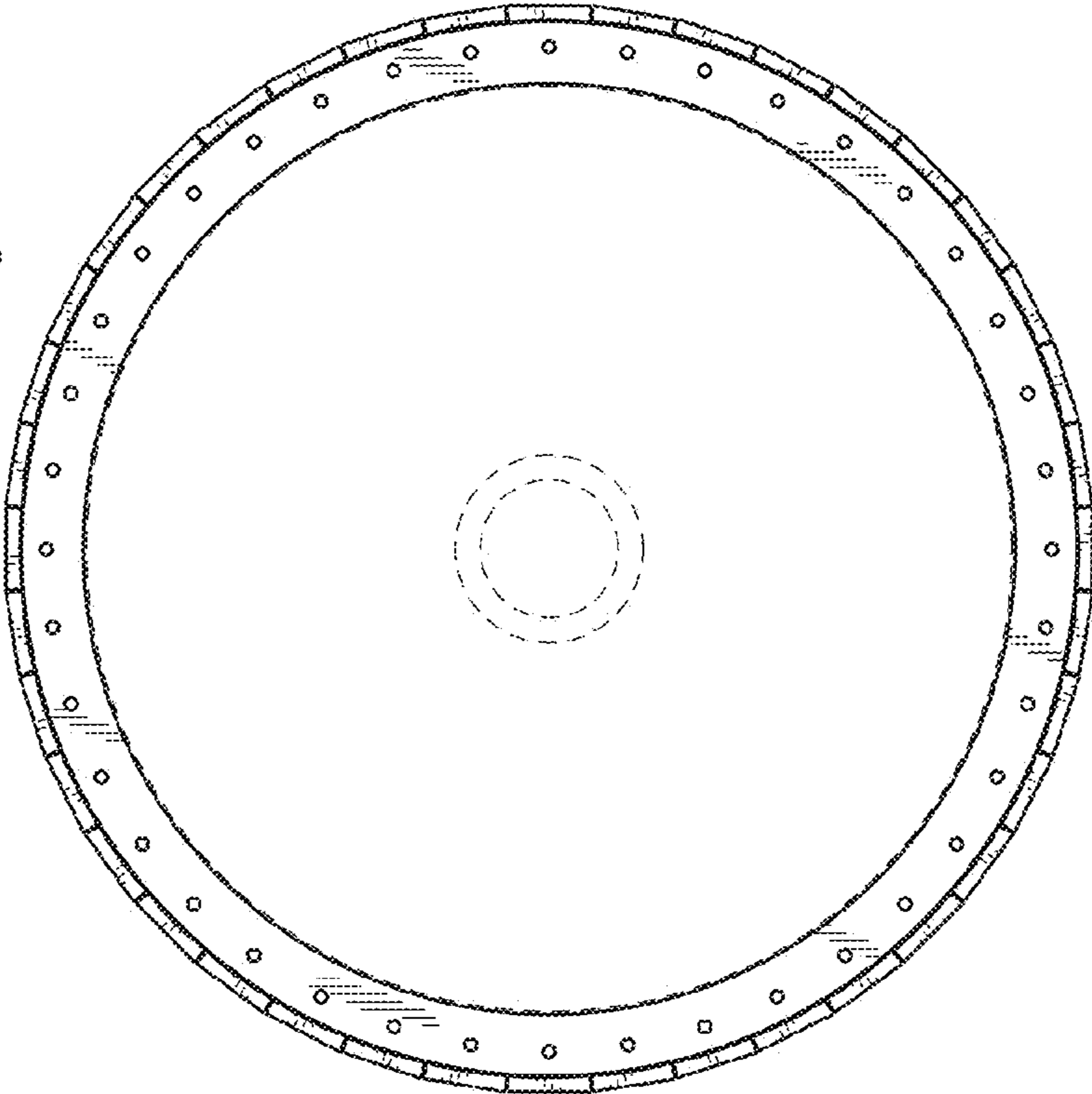


FIG. 4

