



US00D720423S

(12) **United States Design Patent**  
**Barfoot et al.**

(10) **Patent No.:** **US D720,423 S**

(45) **Date of Patent:** **\*\* Dec. 30, 2014**

(54) **TEXTURED FIREARM GRIP**

(71) Applicant: **Magpul Industries Corporation**, Erie, CO (US)

(72) Inventors: **Grady Barfoot**, Denver, CO (US);  
**Richard Fitzpatrick**, Longmont, CO (US); **Michael T. Mayberry**, Denver, CO (US); **Duane Liptak**, Erie, CO (US)

(73) Assignee: **Magpul Industries Corporation**, Erie, CO (US)

(\*\*) Term: **14 Years**

(21) Appl. No.: **29/467,560**

(22) Filed: **Sep. 20, 2013**

(51) **LOC (10) Cl.** ..... **22-01**

(52) **U.S. Cl.**  
USPC ..... **D22/108**

(58) **Field of Classification Search**  
USPC ..... D22/100, 108, 199; D8/68;  
42/71.01-74; 89/1.42

See application file for complete search history.

(56) **References Cited**

**U.S. PATENT DOCUMENTS**

D269,895 S \* 7/1983 Bianchi et al. .... D22/104  
D293,357 S \* 12/1987 Ruger et al. .... D22/108

(Continued)

**OTHER PUBLICATIONS**

Images for 1911 Grip Google Search; Images for 1911 grip; Website [Online] Available Website: <http://www.google.com/search?q=1911+grip+images&sourceid=ie7&rls=com.microsoft:en-us:IE-Address&ie=&oe=&rlz=>; Last Update: Live Internet; Accessed on May 17, 2013.

(Continued)

*Primary Examiner* — Michael A Pratt

(74) *Attorney, Agent, or Firm* — Swanson & Bratschun, L.L.C.

(57) **CLAIM**

The ornamental design for a textured firearm grip, as shown and described.

**DESCRIPTION**

FIG. 1 is a right, front, top perspective view of a right side textured firearm grip panel of a pair of right and left side textured firearm grip panels attached to a firearm showing my new design, the left side textured firearm grip panel not being visible from this view;

FIG. 2 is a left, front, top perspective view of a pair of right and left side textured firearm grips for a firearm of FIG. 1 with the firearm omitted;

FIG. 3 is a right side elevation view of a right side textured firearm grip panel of FIG. 1 with the firearm omitted;

FIG. 4 is a left side elevation view of a left side textured firearm grip panel FIG. 1 with the firearm omitted;

FIG. 5 is a front elevation view of the pair of right and left textured firearm grip panels for a firearm of FIG. 1 with the firearm omitted;

FIG. 6 is a rear elevation view of the pair of right and left textured firearm grip panels for a firearm of FIG. 1 with the firearm omitted;

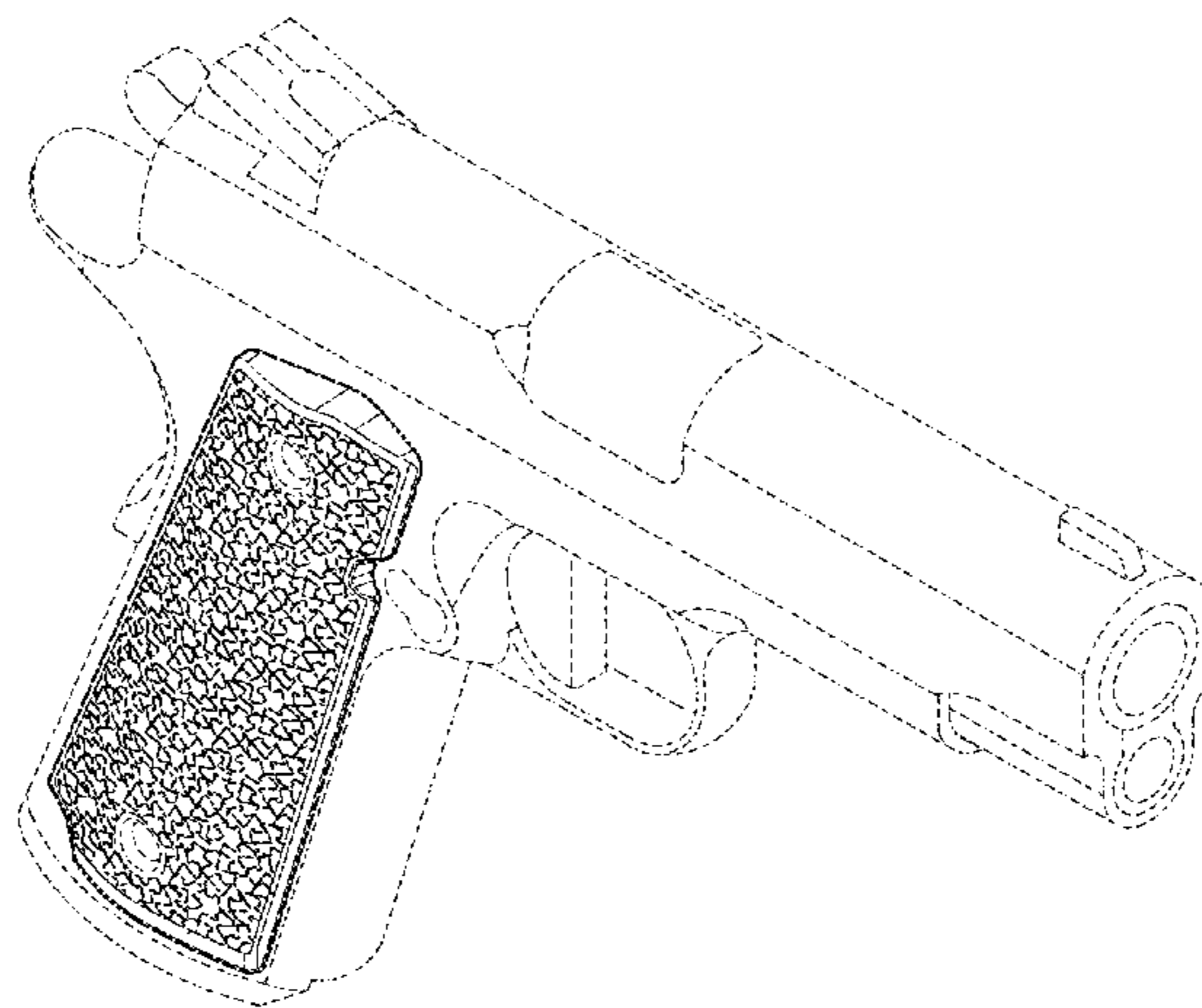
FIG. 7 is a bottom plan view of the of the pair of right and left textured firearm grip panels for a firearm of FIG. 1 with the firearm omitted; and,

FIG. 8 is a top plan view of the pair of right and left textured firearm grip panels for a firearm of FIG. 1 with the firearm omitted; and,

FIG. 9 is a perspective view of the surface texture of FIG. 1 shown enlarged.

The broken lines showing portions of the design in all figures is included for the purpose of illustrating environment and unclaimed features and forms not part of the claimed design. The relative density and proportions of the surface treatment is accurately illustrated in FIGS. 3 and 4. For practicality FIGS. 1, 2 and 5 through 9 shows a token representation of the surface treatment. The texture pattern sample illustrated in FIG. 9 is applied uniformly within the area circumscribed for the texture; except in any areas marked out for exclusion from the claim.

**1 Claim, 6 Drawing Sheets**



(56)

**References Cited**

U.S. PATENT DOCUMENTS

D300,057	S *	2/1989	Ruger et al. ....	D22/108
D335,520	S *	5/1993	Capone .....	D22/108
6,860,053	B2 *	3/2005	Christiansen .....	42/71.02
D577,411	S *	9/2008	Dehart .....	D22/108
D692,517	S	10/2013	Faifer	
8,584,390	B1 *	11/2013	Fraher et al. ....	42/71.02
D710,966	S	8/2014	Barfoot et al.	
2004/0064994	A1 *	4/2004	Luke .....	42/85
2006/0272192	A1 *	12/2006	Zimmermann .....	42/7
2011/0173861	A1 *	7/2011	Roth .....	42/71.01
2013/0125442	A1 *	5/2013	Burress, Jr. ....	42/71.01
2013/0205635	A1 *	8/2013	Hines et al. ....	42/71.02

OTHER PUBLICATIONS

Magazine Release Thumb Scoop 10-8 Performance Store (2013) 1911 Grip Panels, Scoop, 5LPI; Website [Online] <http://www.10-8performance.com/1911-grip-panels-scoop-5lpi/>; Last Update: Unknown; Accessed on May 17, 2013.

Magpul\_2006-04-01\_MIAD\_Grip\_Kit\_AR15-M16 Magpul (Apr. 1, 2006) MIAD Grip Kit AR15/M16; Website [Online] Available Web Site: <http://store.magpul.com/product/MAG050/39> Last Update: Unknown; Accessed on: Sep. 25, 2013.

\* cited by examiner

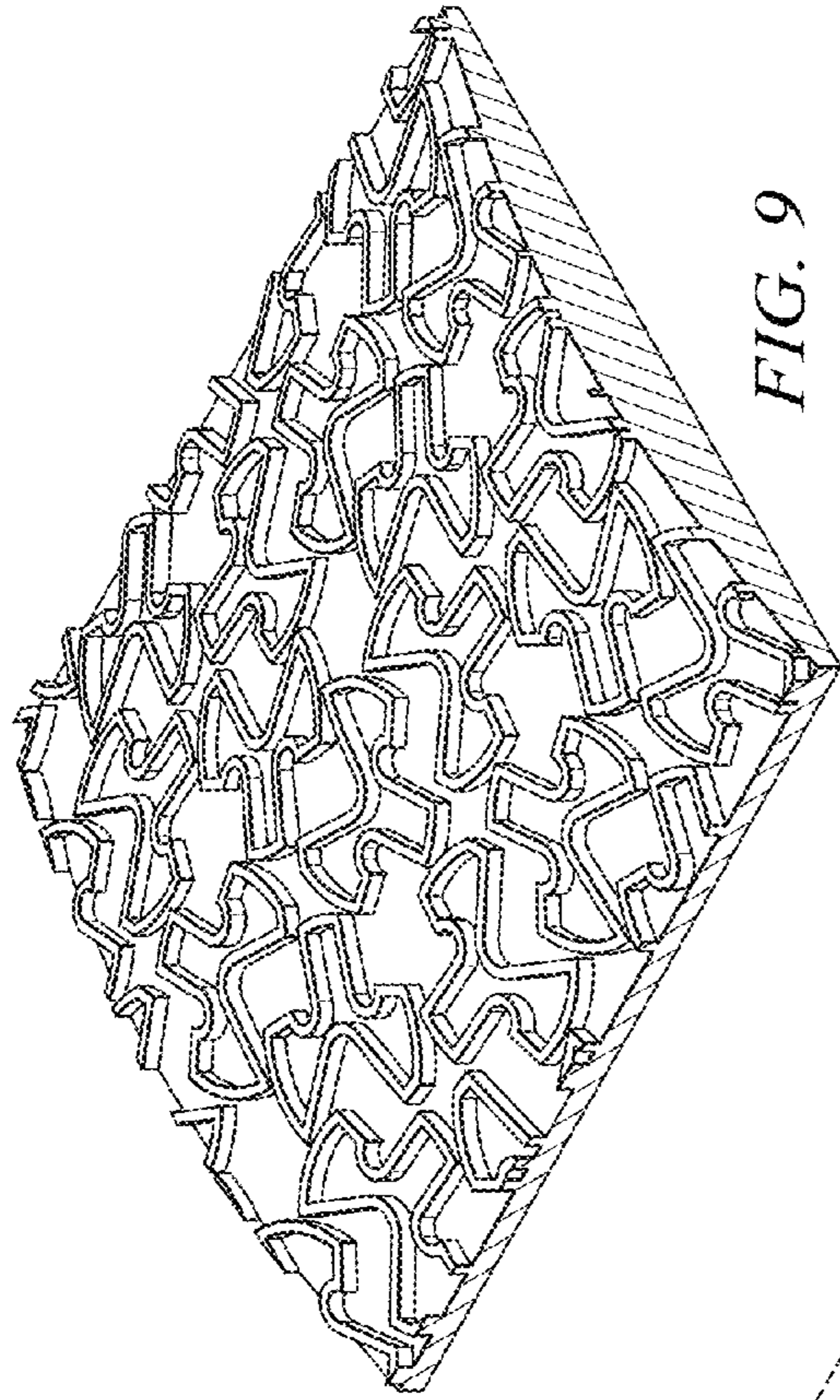


FIG. 9

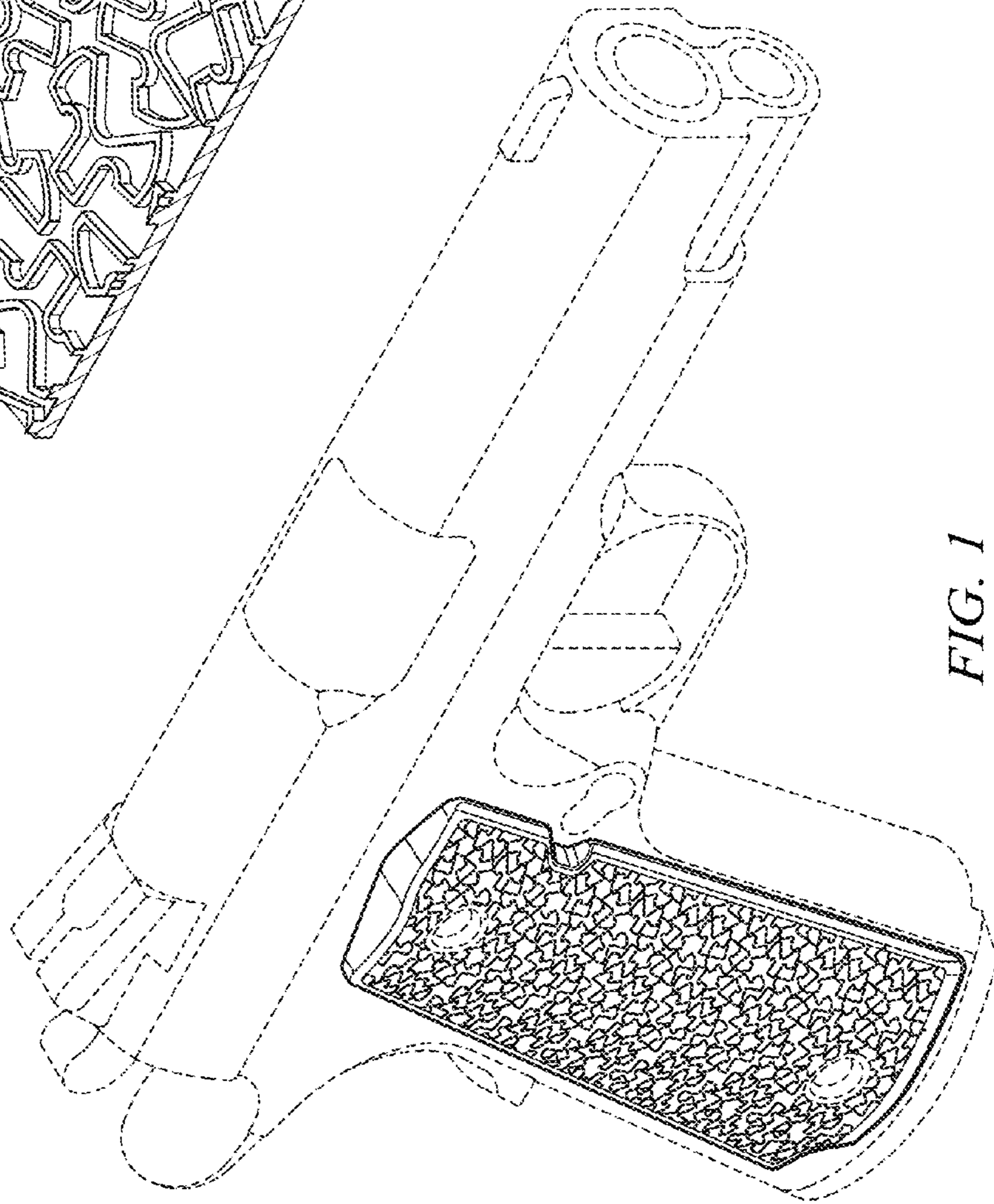
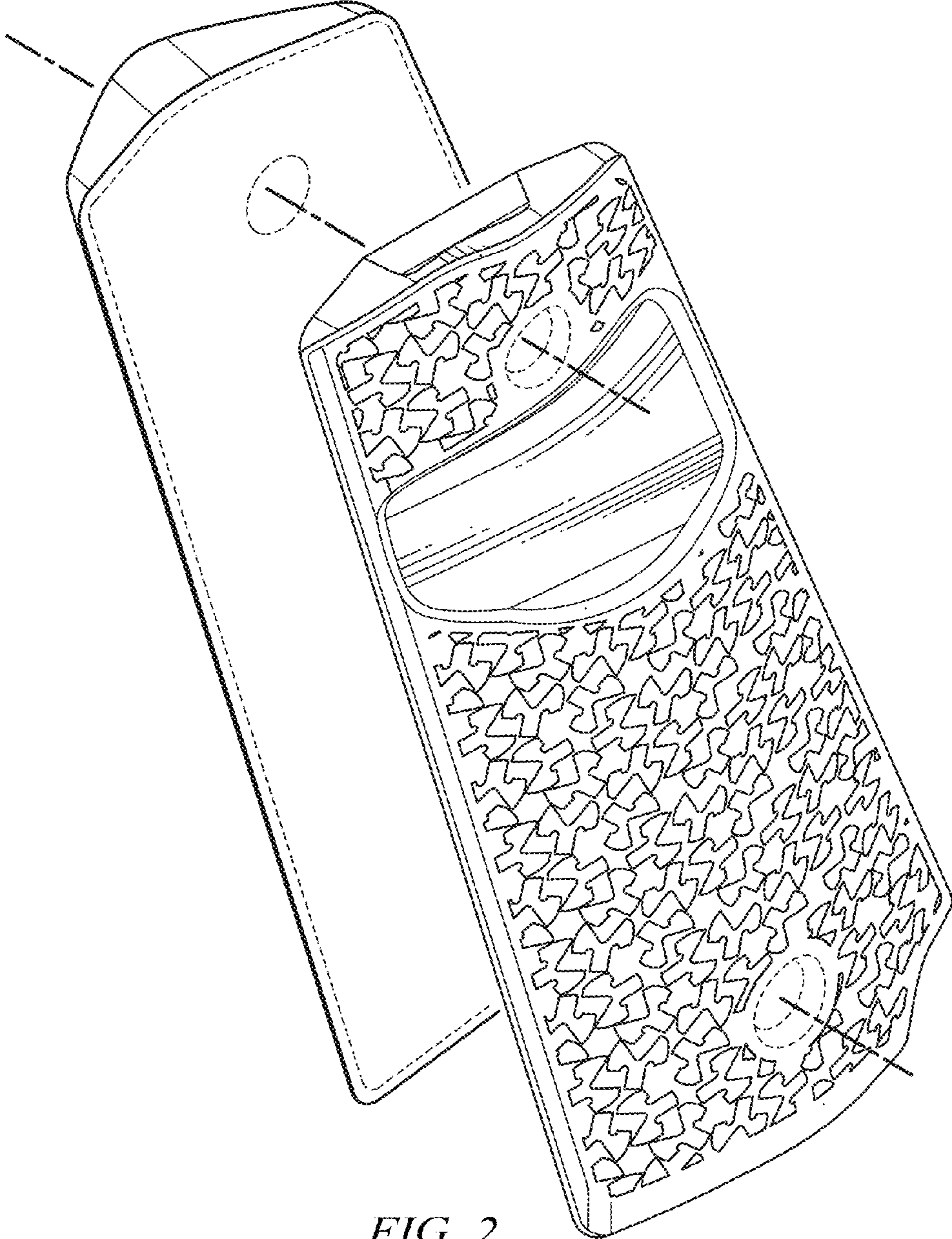


FIG. 1



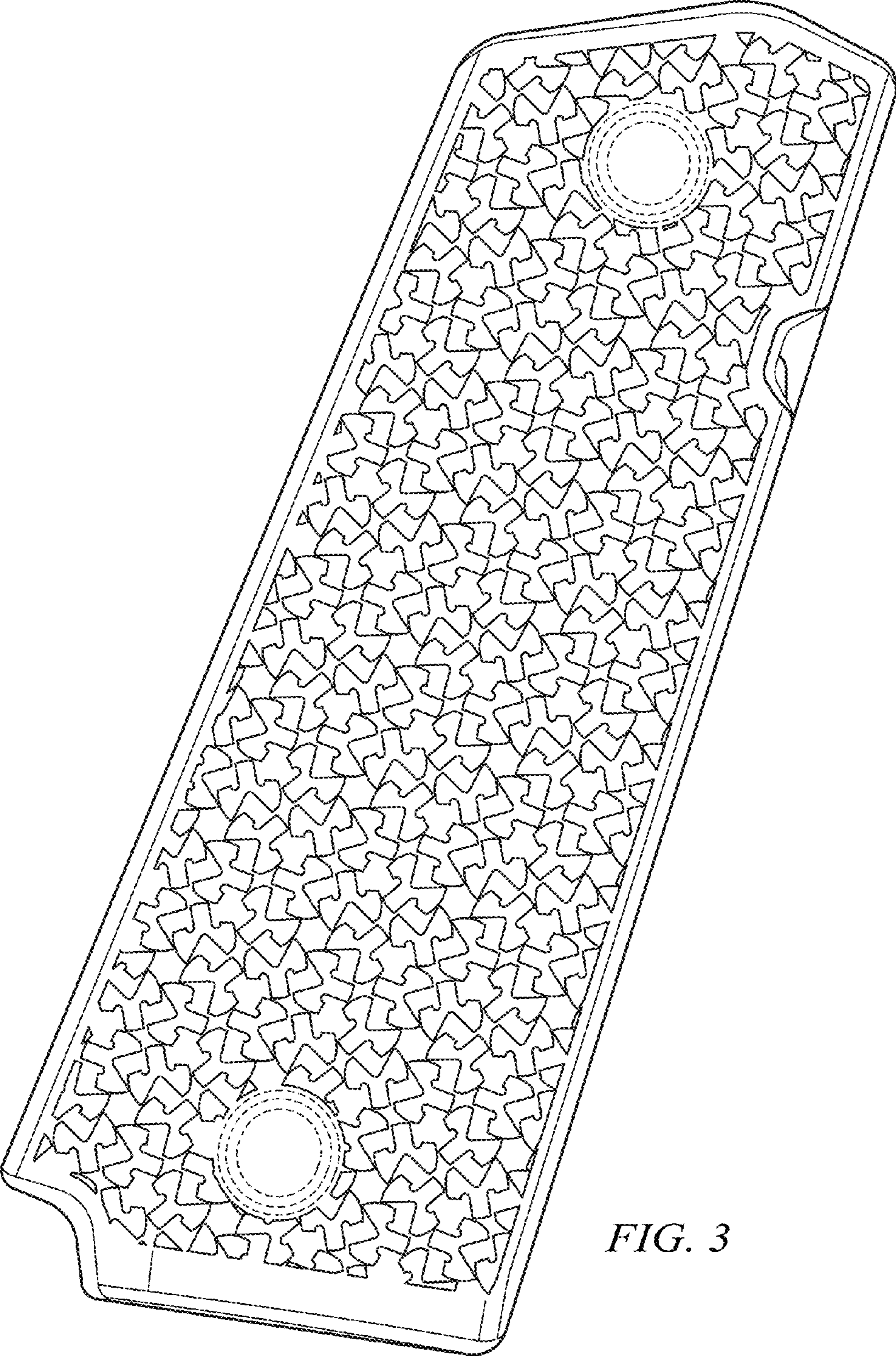


FIG. 3

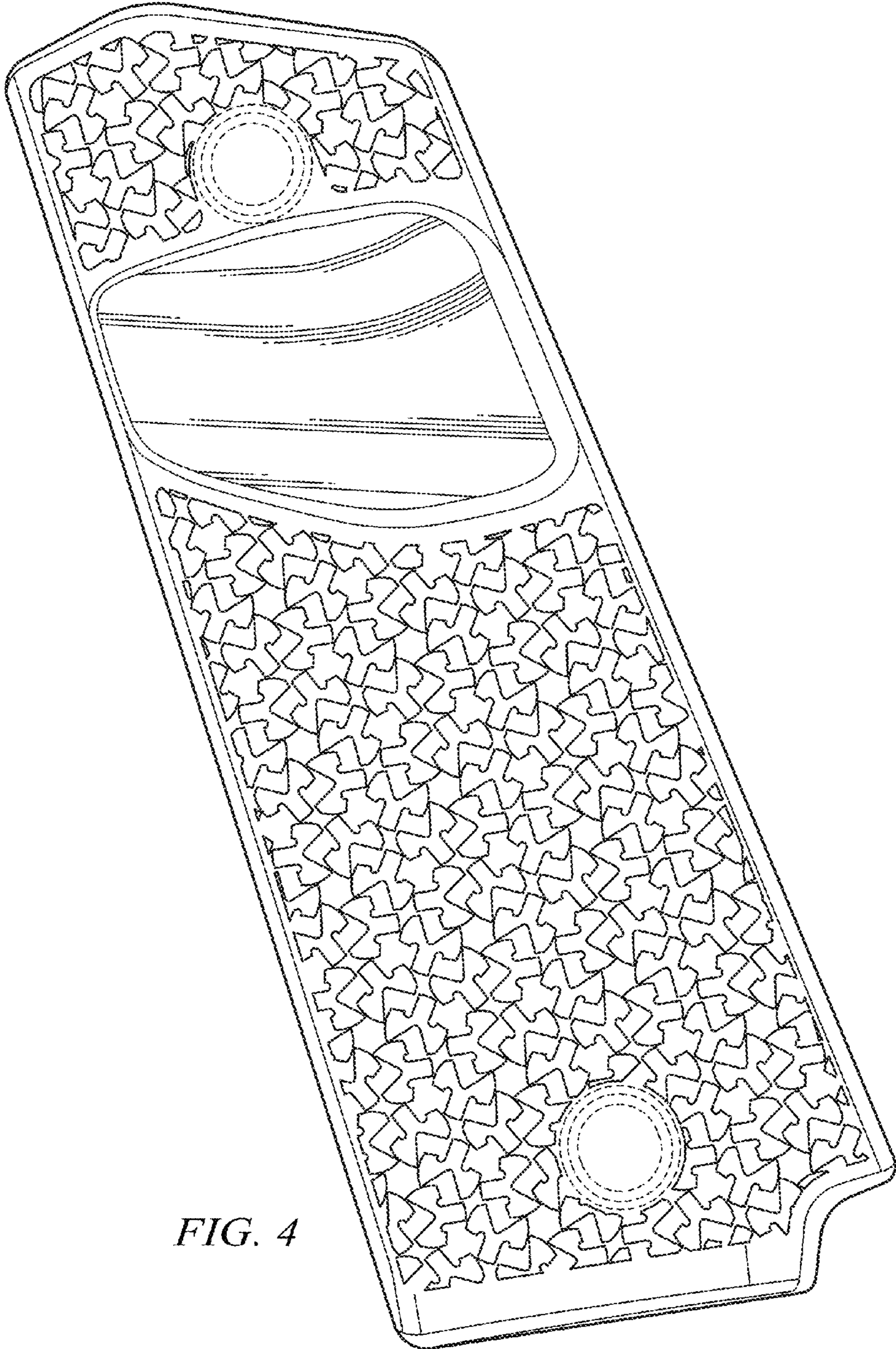


FIG. 4

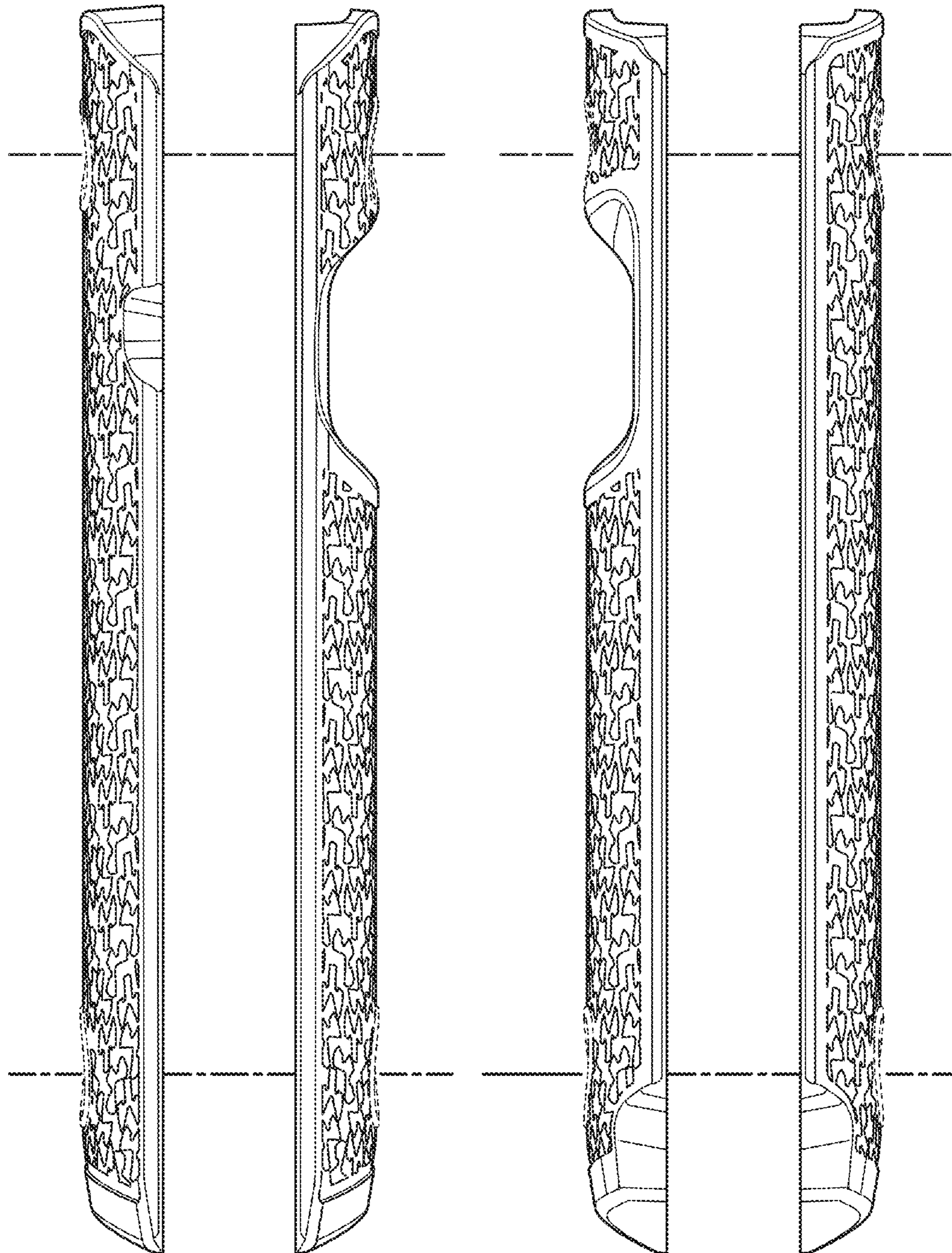


FIG. 5

FIG. 6

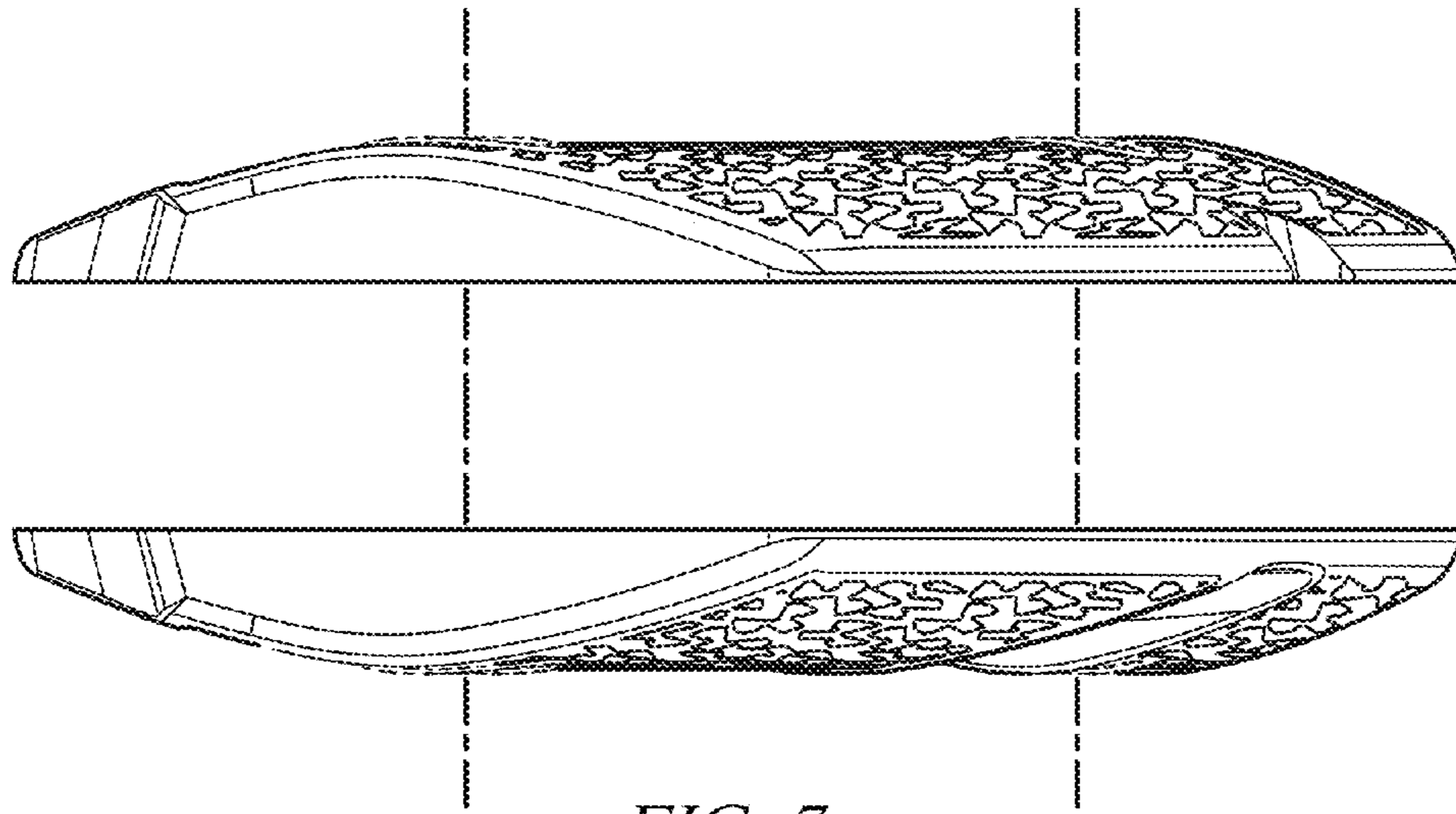


FIG. 7

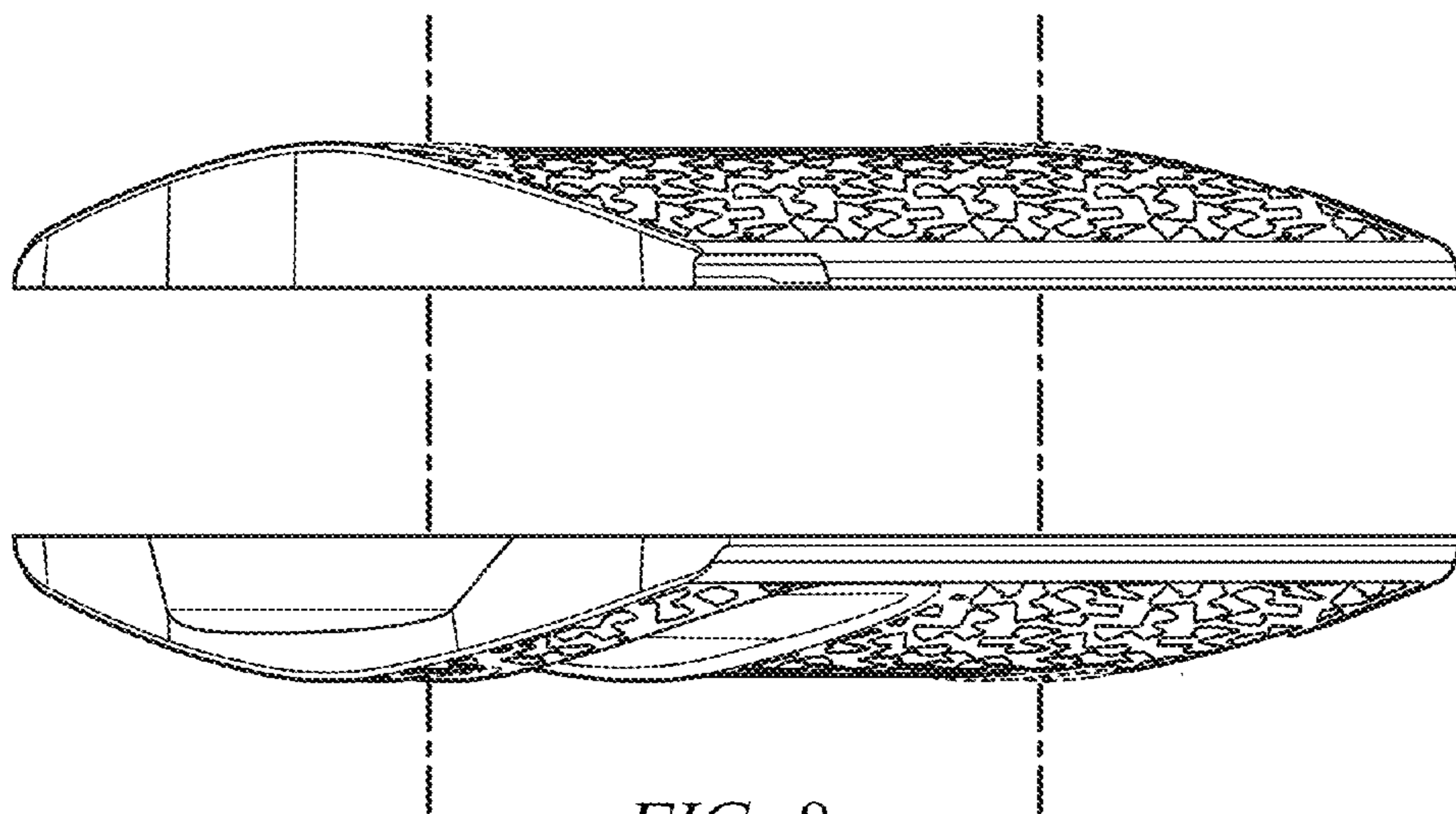


FIG. 8