



US00D720422S

(12) **United States Design Patent**
Fitzpatrick et al.

(10) **Patent No.:** **US D720,422 S**

(45) **Date of Patent:** **** Dec. 30, 2014**

(54) **MAGAZINE LINK FOR FIREARM
MAGAZINES**

(71) Applicant: **Magpul Industries Corporation**, Erie,
CO (US)

(72) Inventors: **Richard Fitzpatrick**, Longmont, CO
(US); **Michael T. Mayberry**, Denver,
CO (US); **Jeremy Kerbs**, Westminster,
CO (US); **Brad Bennett**, Lafayette, CO
(US); **Brian Nakayama**, Arvada, CO
(US)

(73) Assignee: **Magpul Industries Corporation**, Erie,
CO (US)

(**) Term: **14 Years**

(21) Appl. No.: **29/466,523**

(22) Filed: **Sep. 9, 2013**

Related U.S. Application Data

(63) Continuation of application No. 29/420,598, filed on
May 10, 2012, now Pat. No. Des. 689,581.

(51) **LOC (10) Cl.** **22-01**

(52) **U.S. Cl.**
USPC **D22/108**

(58) **Field of Classification Search**

CPC F41A 9/61; F41A 9/62; F41A 9/63;
F41A 9/64; F41A 9/65; F41A 9/68; F41A
9/69; F41A 9/73; F41A 9/74; F41A 9/75;
F41A 9/79; F41A 9/86

USPC D22/100-116; D21/572-573;
124/66-67, 74; 42/51, 71.01, 75.01,
42/75.02, 90, 94; 362/110; 89/40.06,
89/37.04, 33.04, 191.01

See application file for complete search history.

(56) **References Cited**

U.S. PATENT DOCUMENTS

4,100,694 A 7/1978 Musgrave
4,139,959 A 2/1979 Howard

(Continued)

OTHER PUBLICATIONS

Brownells_2012_AR15-M16_20-30-Round_Magazines
Brownells (2012) AR-15/M16 20- & 30-Round Magazines; Website
[Online] Available Web Site: <http://www.brownells.com/asp/pid=21225/Product/AR-15-M16-20-30-ROUND-MAGAZINES>;
Last Update: unknown; Accessed on May 4, 2012.

(Continued)

Primary Examiner — Michael A Pratt

(74) *Attorney, Agent, or Firm* — Swanson & Bratschun,
L.L.C.

(57) **CLAIM**

The ornamental design for a magazine link for firearm maga-
zines, as shown and described.

DESCRIPTION

FIG. 1 is a front, top, right elevation view of a magazine link
for firearm magazines showing our new design;

FIG. 2 is a left side elevation view of the magazine link of
FIG. 1;

FIG. 3 is a right side elevation view of the magazine link of
FIG. 1;

FIG. 4 is a rear elevation view of the magazine link of FIG. 1;
FIG. 5 is a front elevation view of the magazine link of FIG.
1;

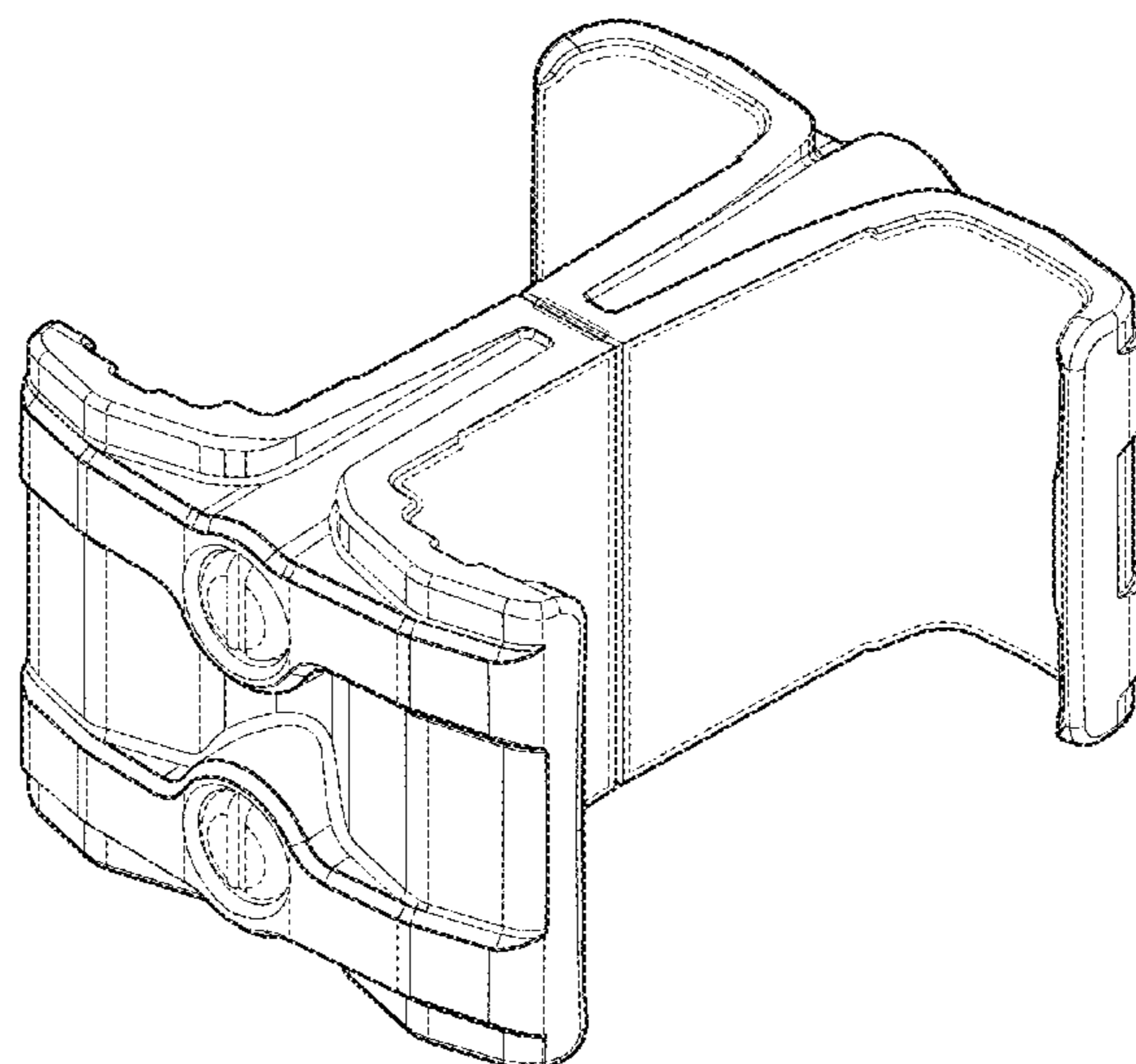
FIG. 6 is a top plan view of the magazine link of FIG. 1;

FIG. 7 is a bottom plan view of the magazine link of FIG. 1;
and,

FIG. 8 is a front, top, right elevation view of the magazine link
of FIG. 1 with a pair of magazines received therein.

The broken lines showing portions of the design in all figures
is included for the purpose of illustrating environment and
unclaimed features and forms not part of the claimed design.

1 Claim, 5 Drawing Sheets



(56)

References Cited

U.S. PATENT DOCUMENTS

4,484,404	A	11/1984	Johnson
4,628,627	A	12/1986	Johnson
D362,044	S	9/1995	Snieszak
6,668,479	B1	12/2003	Obong
D502,524	S	3/2005	Fisher
D588,227	S	3/2009	Swenson, III
7,497,043	B2	3/2009	Clifton, Jr.
D593,635	S	6/2009	Fitzpatrick
7,562,482	B1	7/2009	Johnson
D600,303	S	9/2009	Fitzpatrick
D614,719	S	4/2010	Fitzpatrick
D614,720	S	4/2010	Fitzpatrick
D614,721	S	4/2010	Fitzpatrick
D616,057	S	5/2010	Fitzpatrick
D620,544	S	7/2010	Fitzpatrick
D620,545	S	7/2010	Fitzpatrick
7,798,045	B1	9/2010	Fitzpatrick
D632,752	S	2/2011	Fitzpatrick
D633,164	S	2/2011	Fitzpatrick
D633,589	S	3/2011	Fitzpatrick
D633,590	S	3/2011	Fitzpatrick
7,958,660	B2	6/2011	Fitzpatrick
D642,647	S	8/2011	Fitzpatrick
8,061,255	B1	11/2011	Boberg
8,127,480	B1	3/2012	McManus
8,322,065	B2	12/2012	Faifer
D680,613	S	4/2013	Fitzpatrick
D681,151	S	4/2013	Fitzpatrick
D688,766	S	8/2013	Fitzpatrick
D688,767	S	8/2013	Bennett
D689,581	S	9/2013	Fitzpatrick et al.
2010/0251590	A1	10/2010	Fitzpatrick
2012/0066950	A1	3/2012	Davidson
2012/0137564	A1	6/2012	Swenson, III
2012/0311911	A1	12/2012	Nelson
2012/0317857	A1	12/2012	Fitzpatrick

OTHER PUBLICATIONS

Brownells AR-15/M16 Tactical Magazine Brownells (Apr. 20, 2010) AR-15/M16 Tactical Magazine; Website [Online] Available Web Site: http://www.brownells.com/.aspx/pid=24307/Product/AR_15_M16_TACTICAL_MAGAZINE; Last Update: Unknown; Accessed on: Apr. 20, 2010.

Cheaperthandirt.com_2010_Mag_AR-15_223_Orlite Cheaperthandirt.com (Apr. 20, 2010) Mag AR-15.223 Orlite 30 Round Israeli Shows Field Use; Website [Online] Available Web Site: <http://www.cheaperthandirt.com/MAG105-1.html>; Last Update: Unknown; Accessed on: Apr. 20, 2010.

EMA_Tactical_CDMAG_Countdown_Magazine EMA Tactical (Apr. 20, 2010) CDMAG Countdown Magazine; Website [Online] Available Web Site: <http://www.ematactical.com/viewProduct.asp?ID=278&catID=8>; Last Update: Unknown, Accessed on: Apr. 20, 2010.

Foltz (Feb. 21, 2007) 5.56mm 30 Round Magazine Improvement Programs; PDF [Online] Available Web Site: <http://www.dtic.mil/ndia/2006smallarms/foltz.pdf> Last Update: Feb. 21, 2007; Accessed on: Apr. 20, 2010.

Gunbroker.com_2010_Eagle_International_223_Polymer_Magazine Gunbroker.com (Apr. 20, 2010) Eagle International .223 Polymer Magazine 223; Website [Online] Available Web Site: <http://www.gunbroker.com/Auction/ViewItem.aspx?Item=164602069#PIC>; Last Update: Unknown; Accessed on: Apr. 20, 2010.

HKParts.net_2010_HK_G36_30_Round_Magazine HKParts.net (Apr. 20, 2010) HK G36 30 Round Magazine; Website [Online]

Available Web Site: <http://www.hkparts.net/shop/pc/HK-G36-30-Round-Mag-Fits-G36-G36K-G36C-Converted-SL8-s-182p624.htm>; Last Update: Unknown; Accessed on: Apr. 20, 2010.

HKParts_net_2010_30_Round_HK_416_KCI_Steel_556_Magazine HKParts.net (Apr. 20, 2010) 30 Round HK 416 KCI Steel .556 Magazine; Website [Online] Available Web Site: <http://www.hkparts.net/shop/pc/30-Round-HK-416-KCI-Steel-556-Magazine-64p982.htm>; Last Update: Unknown; Accessed on: Apr. 20, 2010.

HKParts_net_2010_SL8_20_Round_Single_Stack_Magazine HK Parts.net (May 7, 2010) SL8 20 Round Single Stack Magazine; Website [Online] Available Web Site: <http://www.hkparts.net/shop/pc/SL8-20-Round-Single-Stack-Magazine-182p805.htm>; Last Update: Jul. 6, 2010; Accessed on May 4, 2012.

Lancer_Systems_2012_AWM_Magazine Lancer Systems (2012) L5 AWM Magazine; Website [Online] Available Web Site: http://www.lancer-systems.com/L5_AWM.html; Last Update: Unknown; Accessed on: May 4, 2012.

Lancer_Systems_2010_L5_Translucent_Magazine Lancer Systems (Apr. 20, 2010) L5 Translucent Magazine; Website [Online] Available Web Site: http://www.lancer-systems.com/L5_2010_30.html; Last Update: Unknown; Accessed on: Apr. 20, 2010.

Lancer_Systems_2010_L5_Translucent_Magazine_20-30_Round Lancer Systems (Apr. 16, 2010) L5 Translucent Magazine 2- & 30 Round Magazines; Website [Online] Available Web Site: http://www.lancer-systems.com/L5_2010_30.html; Last Update: Nov. 14, 2010; Accessed on: May 4, 2012.

Magpul_2010_PMAG_Magazines Magpul (Jan. 3, 2010) PMAG Magazines; Website [Online] Available Web Site: http://store.magpul.com/prod_detail_list/2 Last Update: Dec. 2, 2010 Accessed on: May 4, 2012.

Remtek_com_1999_Steyr_AUG_Magazine_Group Remtek.com (Oct. 4, 1999) Steyr AUG Magazine Group; Website [Online] Available Web Site: <http://www.remtek.com/arms/steyr/aug/specs/magazine/magazine.htm> Last Update: Apr. 7, 2009; Accessed on: May 4, 2012.

Tangodown_2010_ARC-L_Magazine TangoDown (Apr. 20, 2010) ARC-L Magazine; Website [Online] Available Web Site: http://tangodown.com/shop/product_info.php?products_id=126; Last Update: Unknown, Accessed on: Apr. 20, 2010.

ThermoldMagazines_com_2010_Magazines Thermoldmagazines.com (Apr. 20, 2010) Magazines; Website [Online] Available Web Site: <http://www.thermoldmagazines.com/magazines.html>; Last Update: Unknown; Accessed on: Apr. 20, 2010.

ThermoldMagazines_com_2012_M-16AR-M15-30-Magazines Thermoldmagazines.com (2012) M-16/AR-15/30-Magazine; Website [Online] Available Web Site: <http://www.thermoldmagazines.com/collections/magazines-accessories/products/m-16-ar-15-30-magazine>; Last Update: Unknown; Accessed on: May 4, 2012.

Troyind_com_2010_Troy_BattleMag Troyind.com (Apr. 20, 2010) Troy BattleMag; Website [Online] Available Web Site: http://store.troyind.com/Troy_BattleMag_p/smag-sin-00bt-00.htm; Last Update: Unknown; Accessed on: Apr. 20, 2010.

Design U.S. Appl. No. 29/420,155, filed May 4, 2012, "Translucent Magazine for a Firearm" by Fitzpatrick.

Design U.S. Appl. No. 29/423,117, filed May 29, 2012, "M3 20 Magazine" by Bennett.

Design U.S. Appl. No. 29/440,787, filed Dec. 27, 2012, "Firearm Magazine" by Mayberry.

Design U.S. Appl. No. 29/440,889, filed Dec. 28, 2012, "Firearm Magazine" by Kielsmeier.

Design U.S. Appl. No. 29/440,792, filed Dec. 27, 2012, "Firearm Magazine with Window" by Kielsmeier.

Design U.S. Appl. No. 29/450,963, filed Mar. 26, 2013, "Magazine for a Firearm" by Nakayama.

Design U.S. Appl. No. 29/450,964, filed Mar. 26, 2013, "Magazine for a Firearm" by Nakayama.

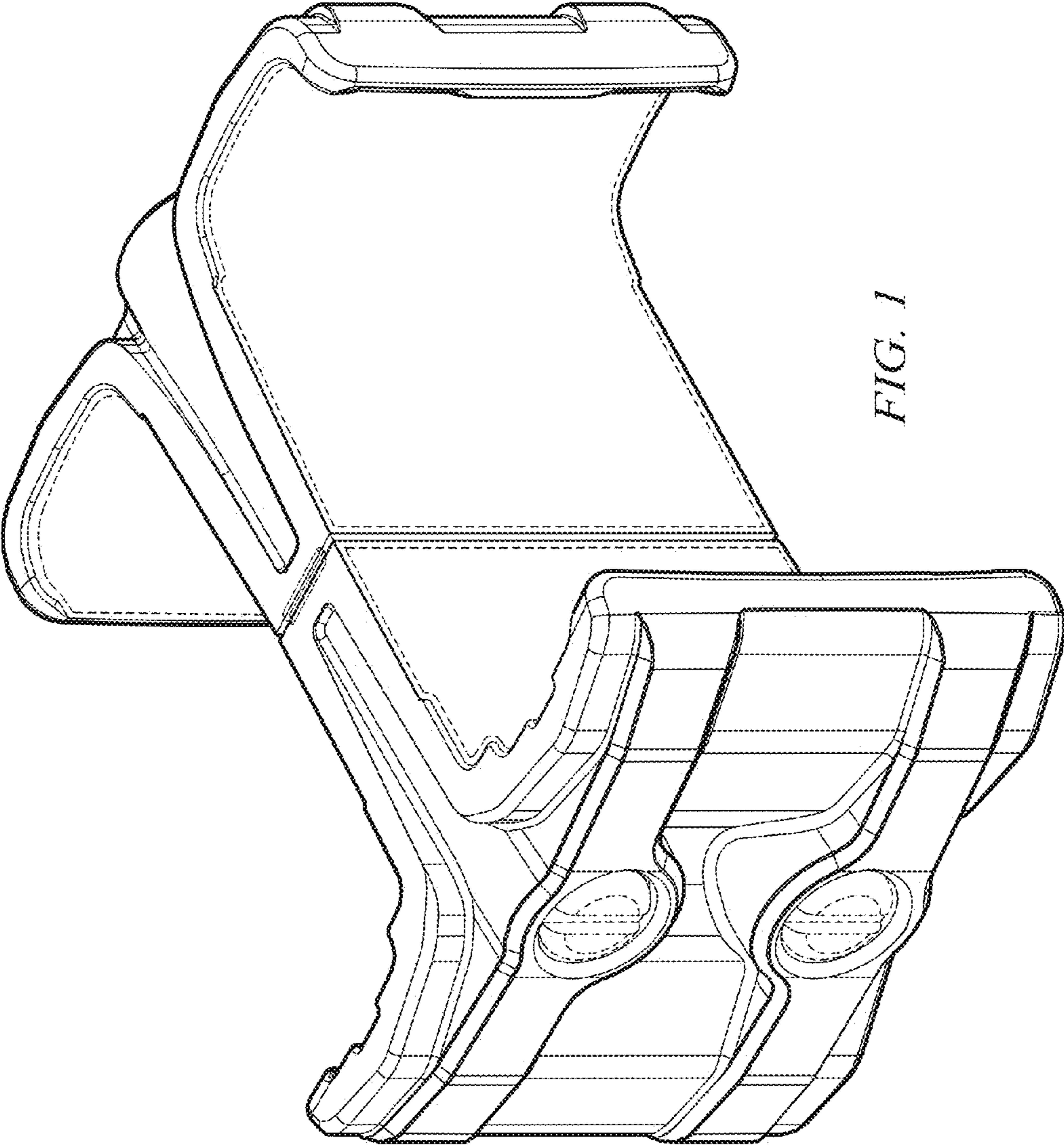


FIG. 1

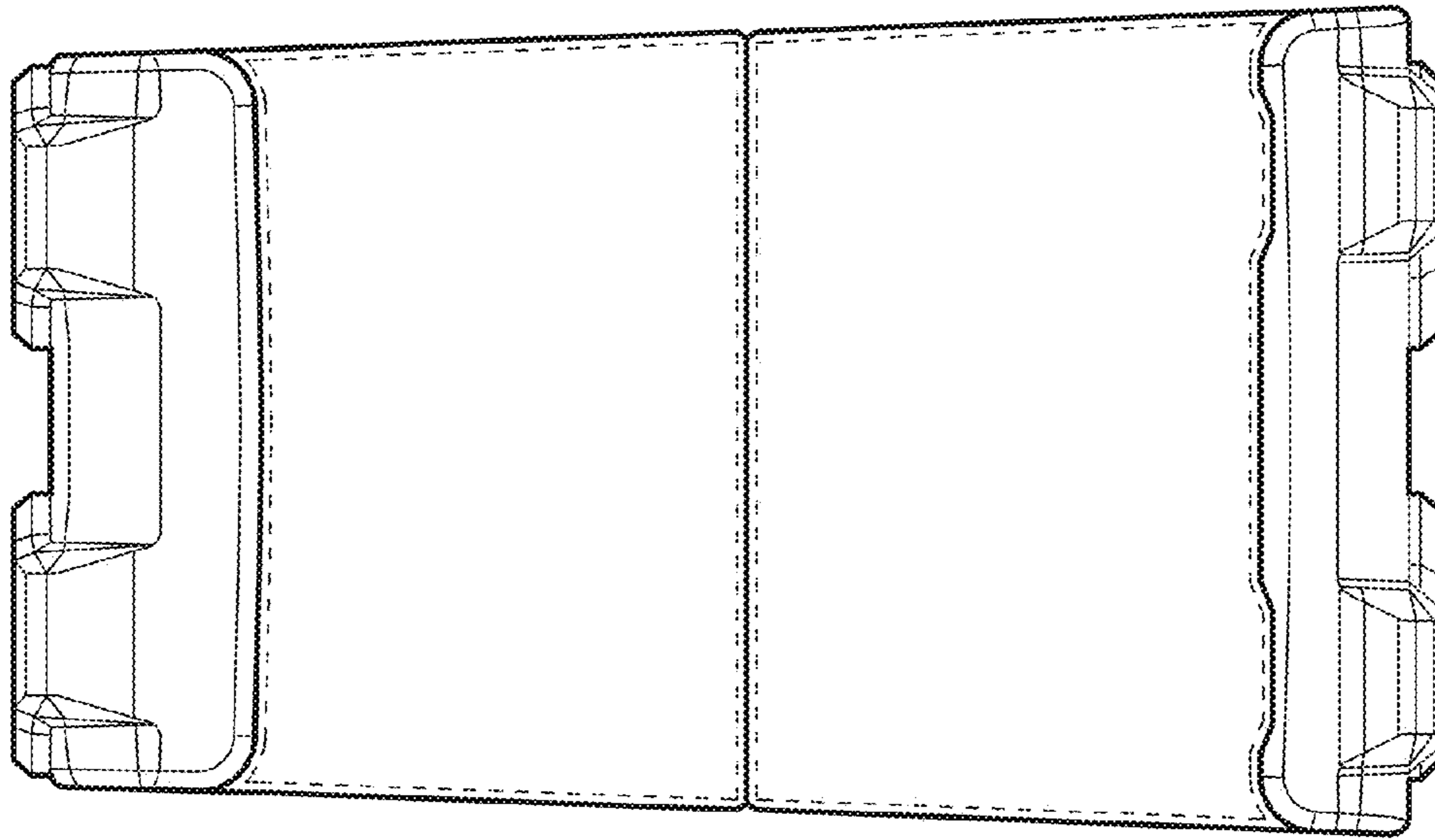


FIG. 2

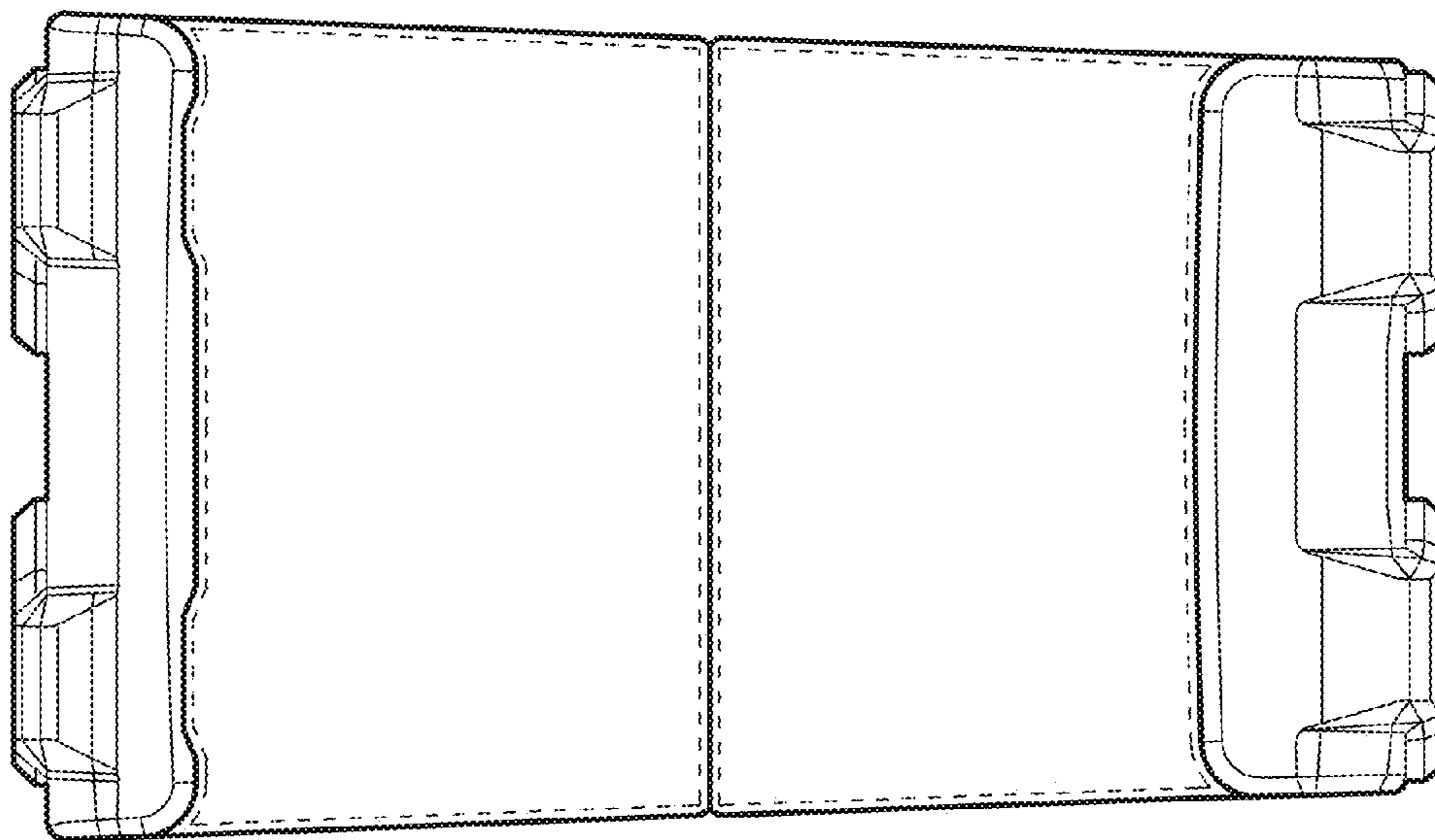


FIG. 3

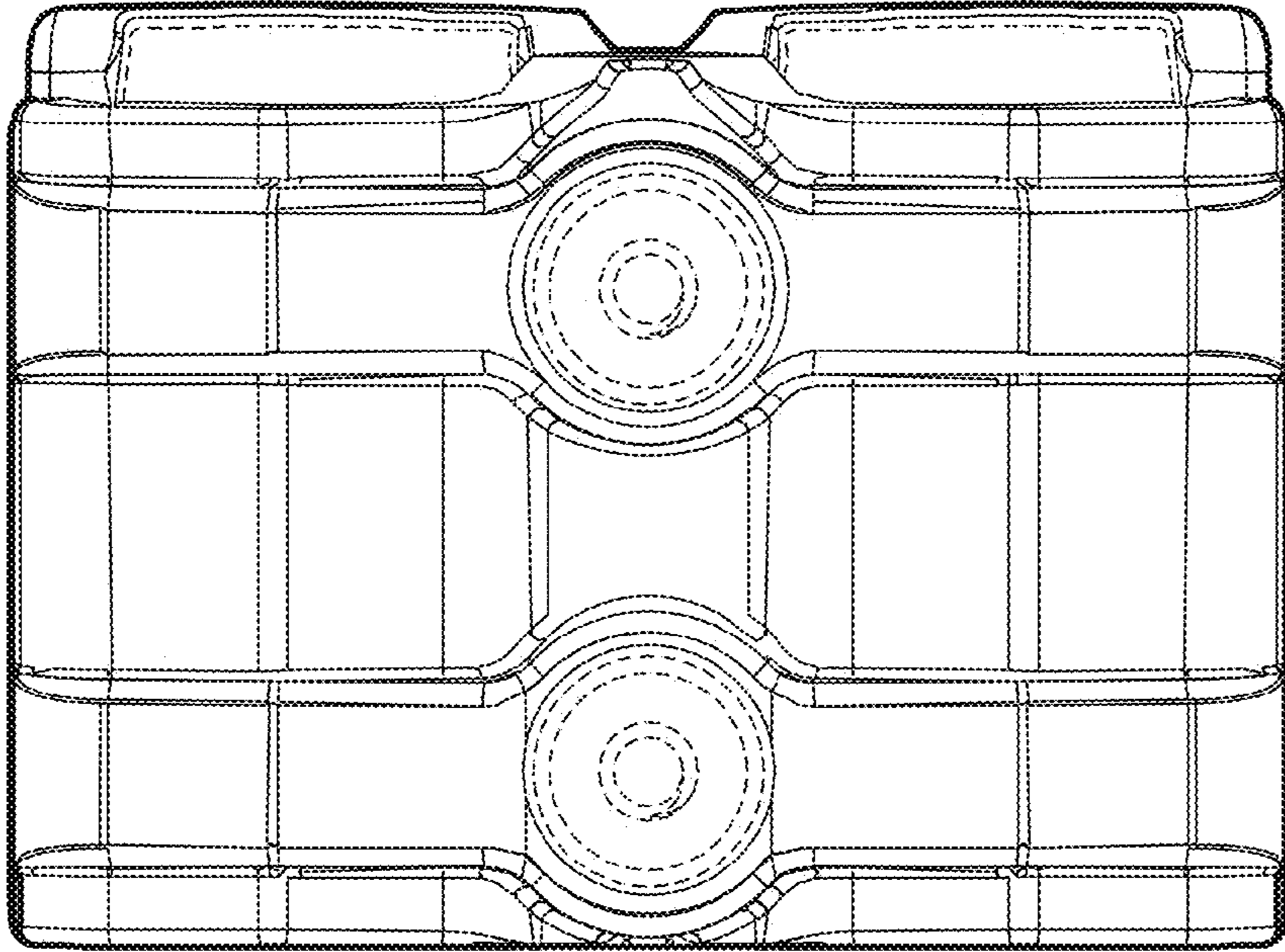


FIG. 4

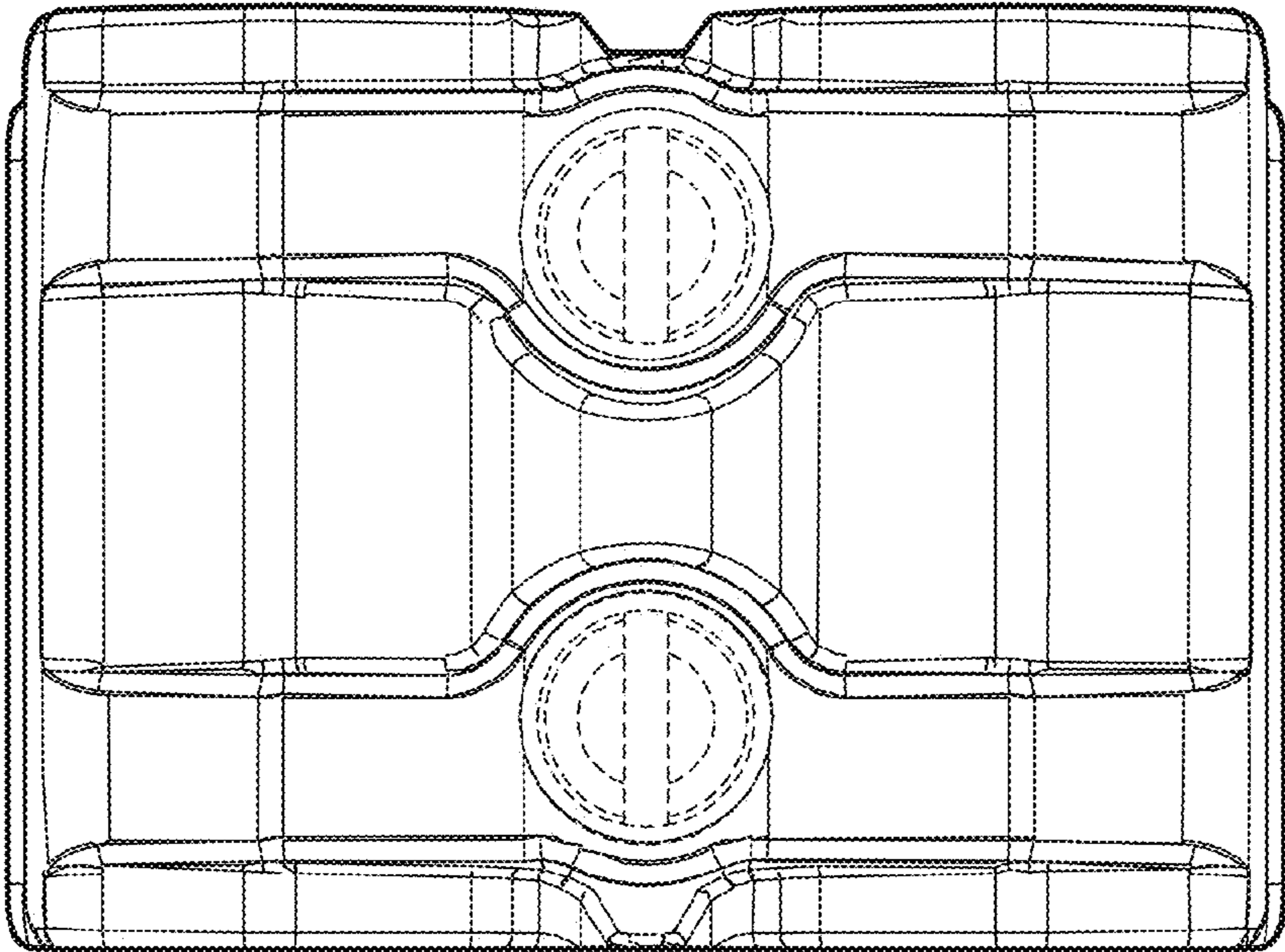


FIG. 5

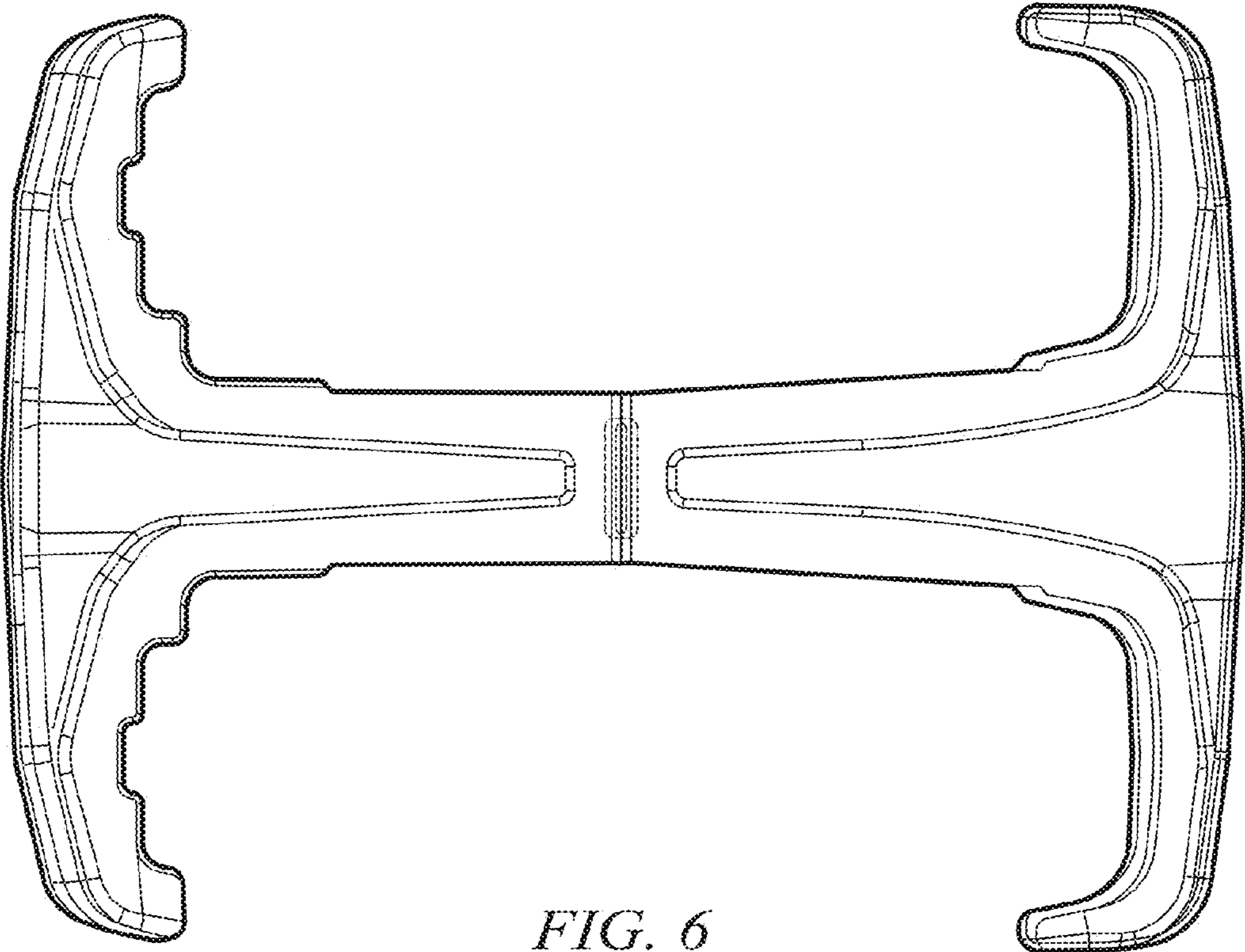


FIG. 6

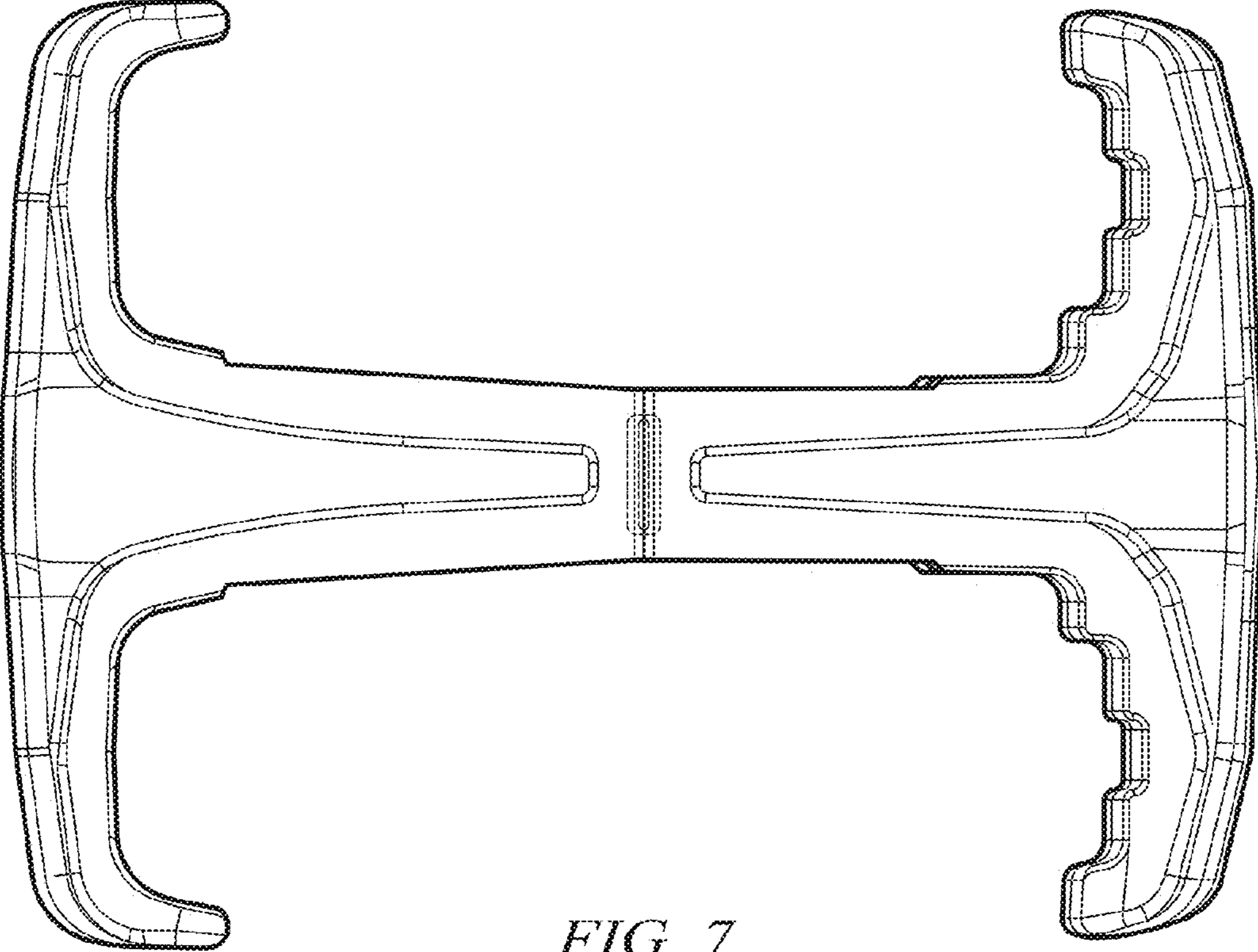


FIG. 7

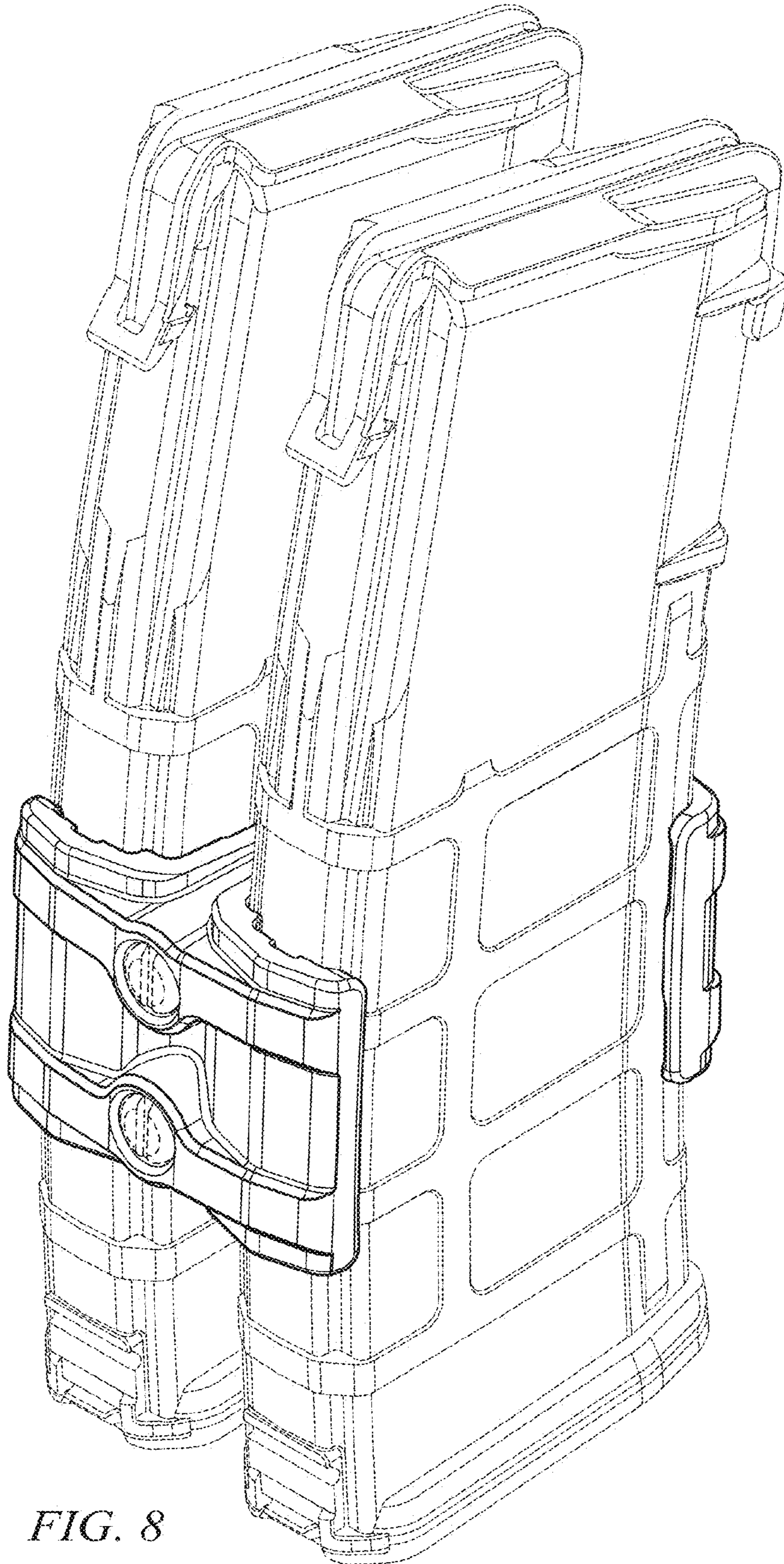


FIG. 8