



US00D720421S

(12) **United States Design Patent**  
**Chen**

(10) **Patent No.:** **US D720,421 S**

(45) **Date of Patent:** **\*\* Dec. 30, 2014**

(54) **KEYMOD FOREARM FOR AN AR-15 RIFLE**

(71) Applicant: **Joseph Chen**, San Diego, CA (US)

(72) Inventor: **Joseph Chen**, San Diego, CA (US)

(\*\*) Term: **14 Years**

(21) Appl. No.: **29/462,756**

(22) Filed: **Aug. 7, 2013**

(51) **LOC (10) Cl.** ..... **22-01**

(52) **U.S. Cl.**

USPC ..... **D22/108**

(58) **Field of Classification Search**

CPC ..... F41C 7/00; F41C 7/11; F41C 7/12

USPC ..... D22/104, 108; 42/51, 71.01, 75.01,

42/75.02, 90, 94, 134, 136, 139, 125, 72,

42/111; 89/40.06, 41.19, 37.04, 33.04,

89/191.01, 200-204; 124/67, 66, 72, 74;

D21/572-575

See application file for complete search history.

(56) **References Cited**

**U.S. PATENT DOCUMENTS**

3,798,818	A *	3/1974	Casull	42/72
5,603,594	A *	2/1997	Lincoln	411/84
D477,855	S	7/2003	Selvaggio	
7,059,076	B2	6/2006	Stoner et al.	
7,356,958	B2	4/2008	Weir	
D606,156	S	12/2009	Swan	
D607,958	S	1/2010	Swan	

D616,520	S	5/2010	Starnes	
D616,521	S	5/2010	Starnes	
7,905,041	B1 *	3/2011	Davies	42/75.02
8,069,604	B2	12/2011	Larue	
8,528,246	B2 *	9/2013	Telles	42/94
D692,516	S	10/2013	Yan et al.	
8,752,320	B2 *	6/2014	Masters	42/71.01
2007/0199435	A1	8/2007	Hochstrate et al.	
2009/0038198	A1	2/2009	Yu	
2010/0192443	A1	8/2010	Cabahug et al.	
2010/0319231	A1	12/2010	Stone et al.	
2011/0185617	A1	8/2011	Brixius	
2013/0276341	A1	10/2013	Wells et al.	

\* cited by examiner

*Primary Examiner* — Michael A Pratt

(74) *Attorney, Agent, or Firm* — QuickPatents; Kevin Prince

(57) **CLAIM**

I claim the ornamental design for a Keymod forearm for an AR-15 rifle, as shown and described.

**DESCRIPTION**

FIG. 1 is a top perspective view of a Keymod forearm for an AR-15 rifle, showing my new design;

FIG. 2 is a front elevational view thereof, the rear elevational view being a mirror image thereof;

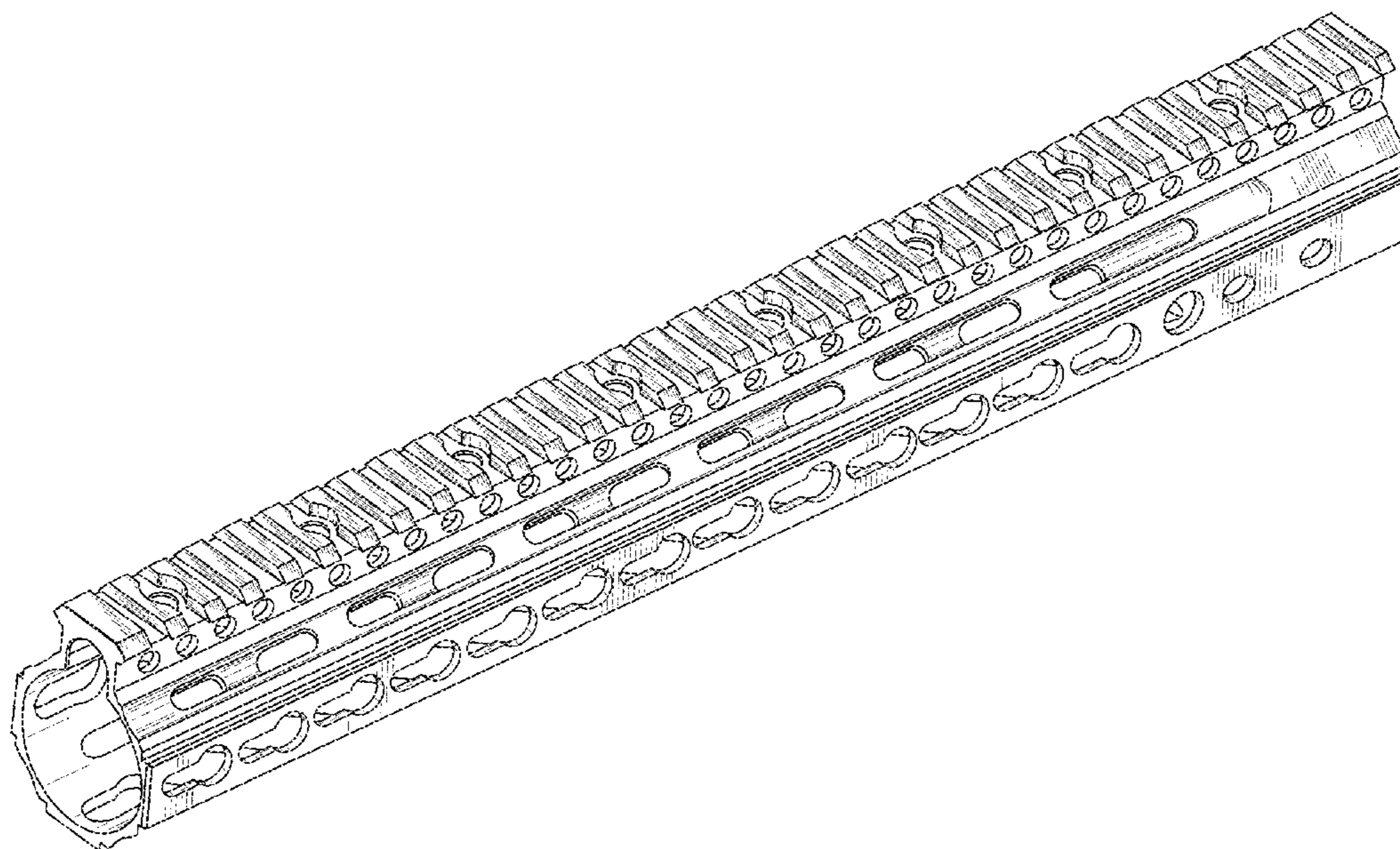
FIG. 3 is a left-side elevational view thereof, the right-side elevational view being a mirror image thereof;

FIG. 4 is a top plan view thereof;

FIG. 5 is a bottom plan view thereof; and,

FIG. 6 is an enlarged bottom perspective view thereof.

**1 Claim, 4 Drawing Sheets**



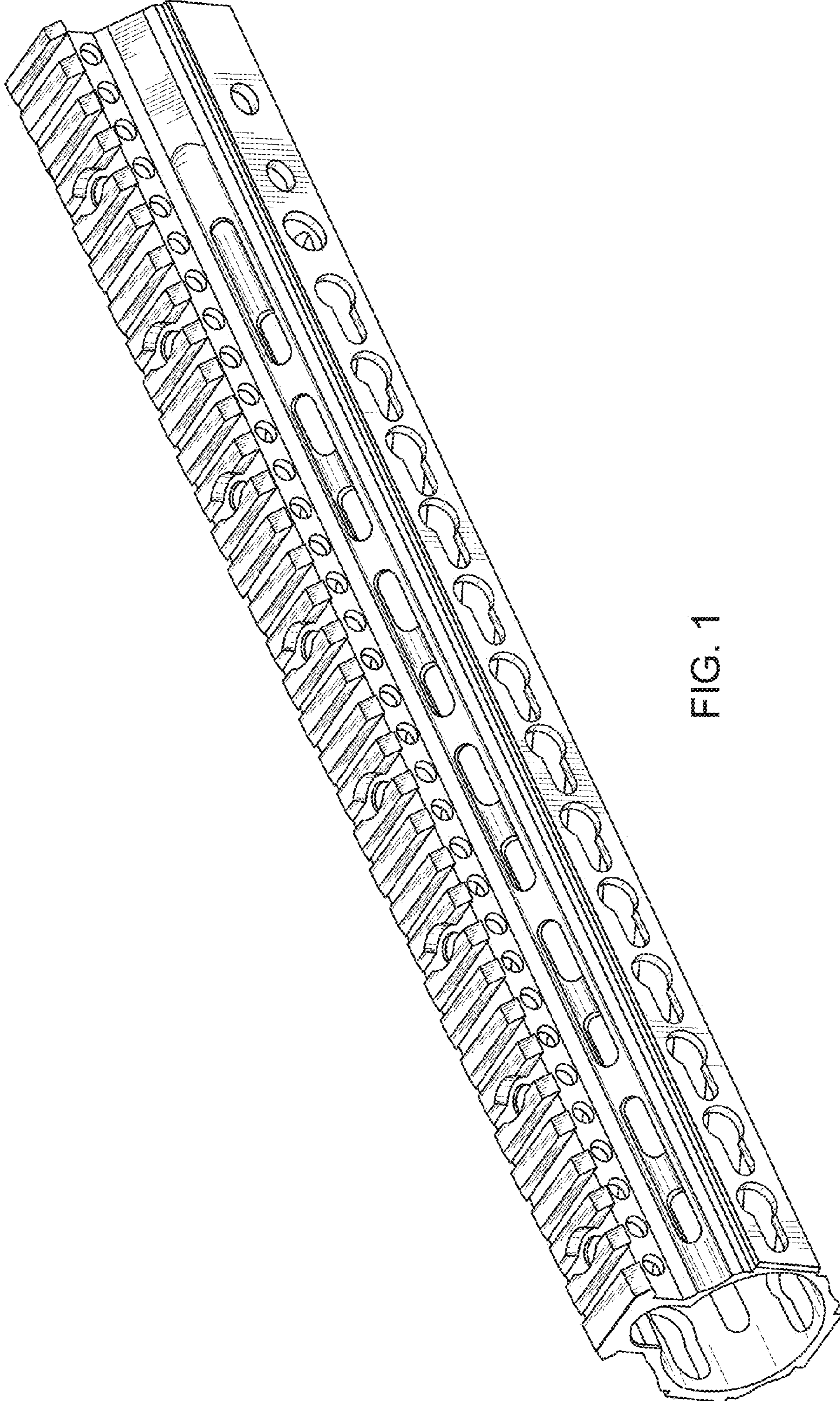


FIG. 1

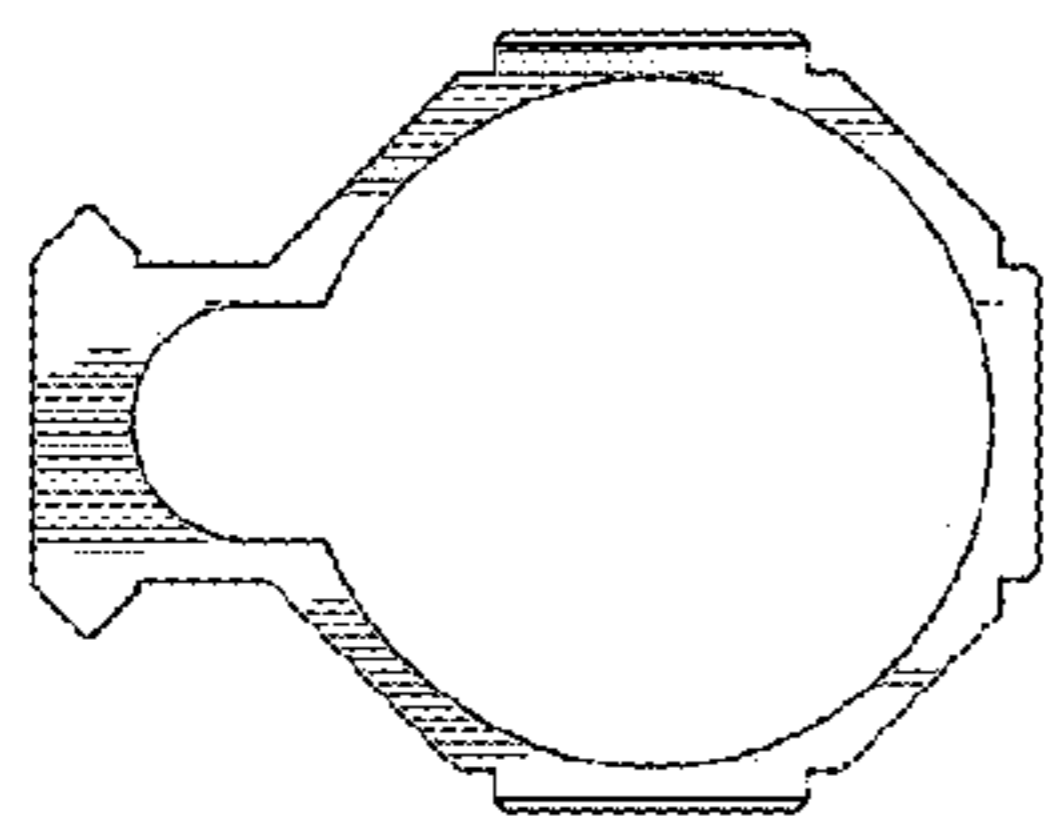


FIG. 2

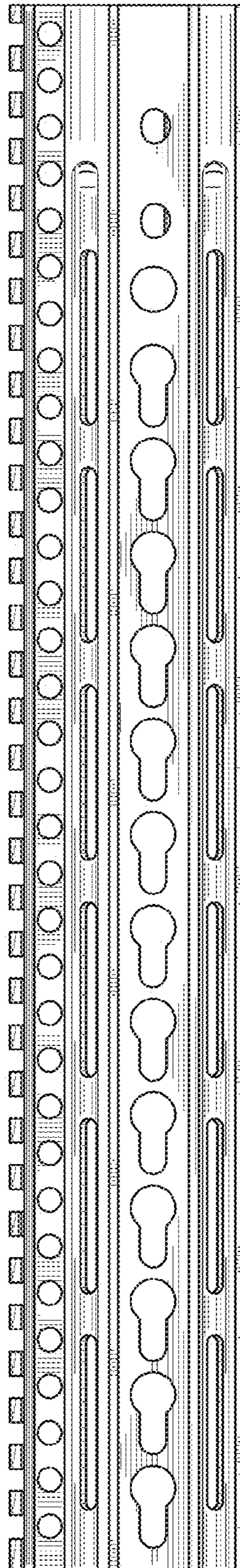


FIG. 3

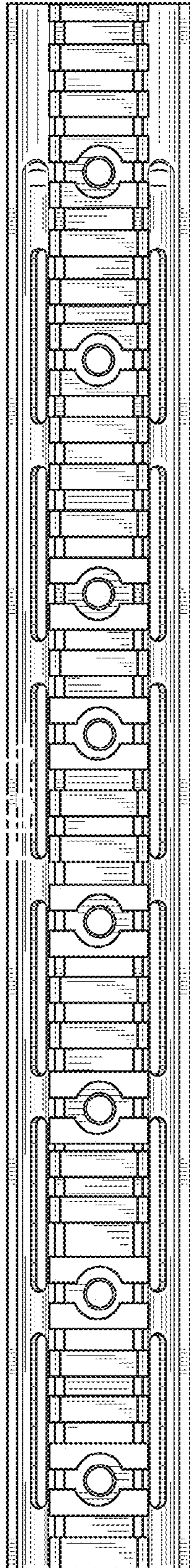


FIG. 4

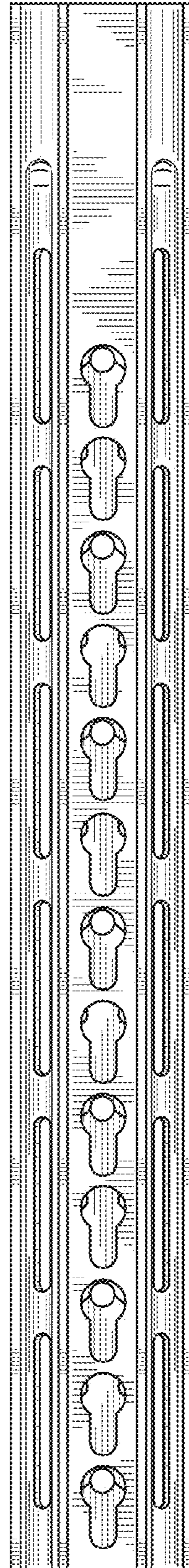


FIG. 5

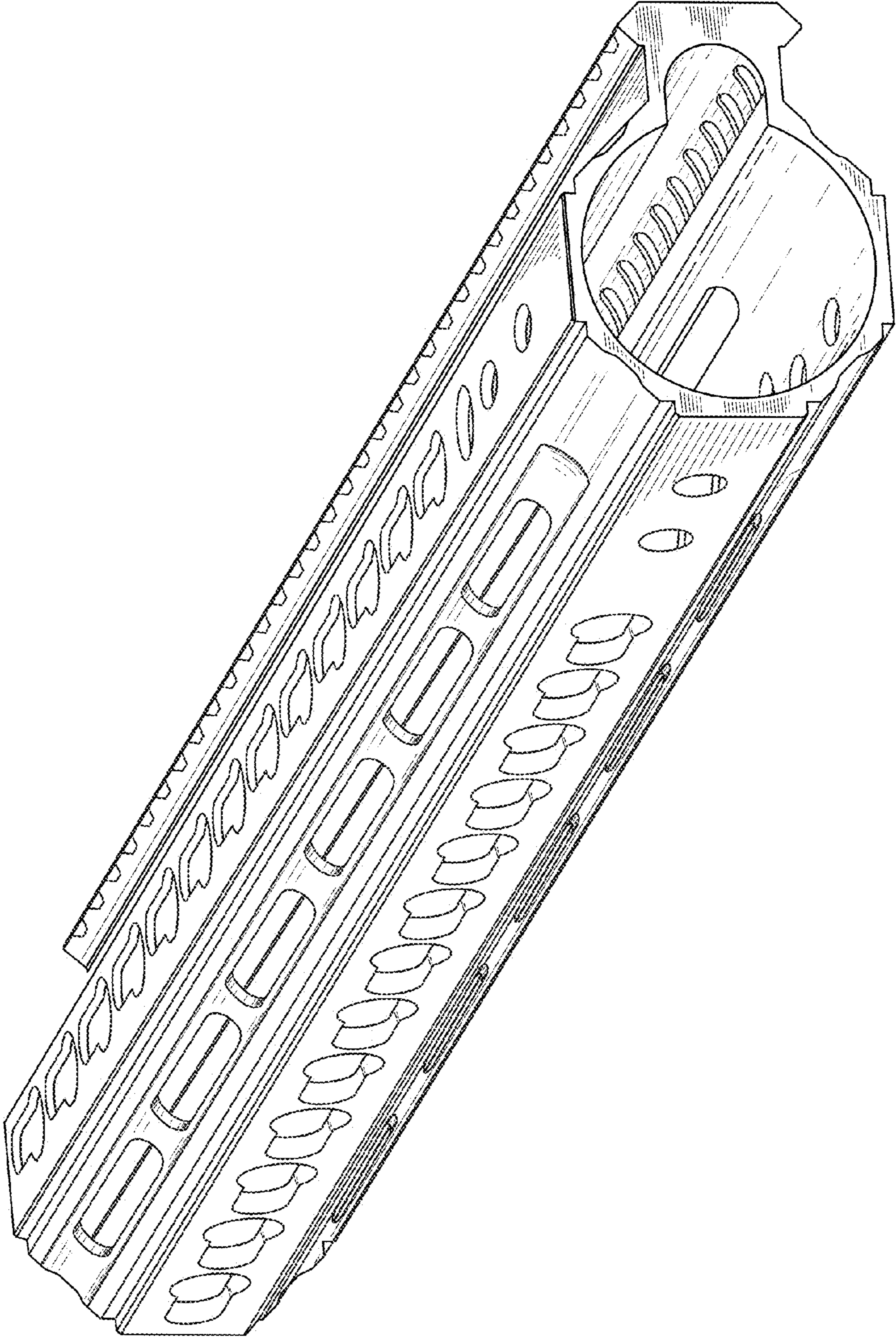


FIG. 6