



US00D720419S

(12) **United States Design Patent**
Norman et al.

(10) **Patent No.:** **US D720,419 S**

(45) **Date of Patent:** **** Dec. 30, 2014**

(54) **TOY SKATEBOARD**

(71) Applicant: **Innovation First, Inc.**, Greenville, TX (US)

(72) Inventors: **David Anthony Norman**, Greenville, TX (US); **Robert H. Mimplitch, III**, Rowlett, TX (US); **Raul Olivera**, Greenville, TX (US); **Douglas Michael Galletti**, Allen, TX (US); **James Anthony Trzaskos**, Rockwall, TX (US)

(73) Assignee: **Innovation First, Inc.**, Greenville, TX (US)

(**) Term: **14 Years**

(21) Appl. No.: **29/488,774**

(22) Filed: **Apr. 23, 2014**

(51) **LOC (10) Cl.** **21-02**

(52) **U.S. Cl.**
USPC **D21/765**

(58) **Field of Classification Search**
CPC A63C 17/01; A63C 17/011; A63C 17/012; A63C 17/014; A63C 17/015; A63C 17/02; A63C 17/26; A63C 5/003; A63B 69/0022; B60Q 1/326; B62K 3/001
USPC D21/419, 421, 423, 426, 760, 765, 766, D21/769, 771, 776, 803; 280/7.14, 11.115, 280/11.19, 11.27, 11.28, 14.21, 87.01, 280/87.021, 87.03, 87.041, 87.042, 607, 280/608, 609, 610, 809; 180/180, 181; 434/247, 253, 258

See application file for complete search history.

(56) **References Cited**

U.S. PATENT DOCUMENTS

6,273,440	B1 *	8/2001	Wilson	280/87.042
6,293,571	B1 *	9/2001	Wen	280/87.042
6,520,518	B2 *	2/2003	Lo	280/87.041
6,646,547	B2 *	11/2003	Chiu	280/87.042
6,648,363	B2 *	11/2003	Gordon	280/610
D679,768	S *	4/2013	Dye	D21/765
8,465,032	B2 *	6/2013	Hill et al.	280/87.042
2003/0102650	A1 *	6/2003	Gordon	280/610

* cited by examiner

Primary Examiner — Cynthia M Chin

(74) *Attorney, Agent, or Firm* — Adam K. Sacharoff; Much Shelist

(57) **CLAIM**

The ornamental design for a toy skateboard, as shown and described.

DESCRIPTION

FIG. 1 is a front perspective view of an ornamental design for a toy skateboard in accordance with the invention; FIG. 2 is a left side bottom perspective view of FIG. 1; FIG. 3 is a right side bottom perspective view of FIG. 1; FIG. 4 is a left side view of FIG. 1; FIG. 5 is a right side view of FIG. 1; FIG. 6 is front side view of FIG. 1; FIG. 7 is a rear side view of FIG. 1; FIG. 8 is a top side view of FIG. 1; and, FIG. 9 is a bottom side view of FIG. 1. The broken lines are for environmental purposes only and form no part of the claimed design.

1 Claim, 9 Drawing Sheets

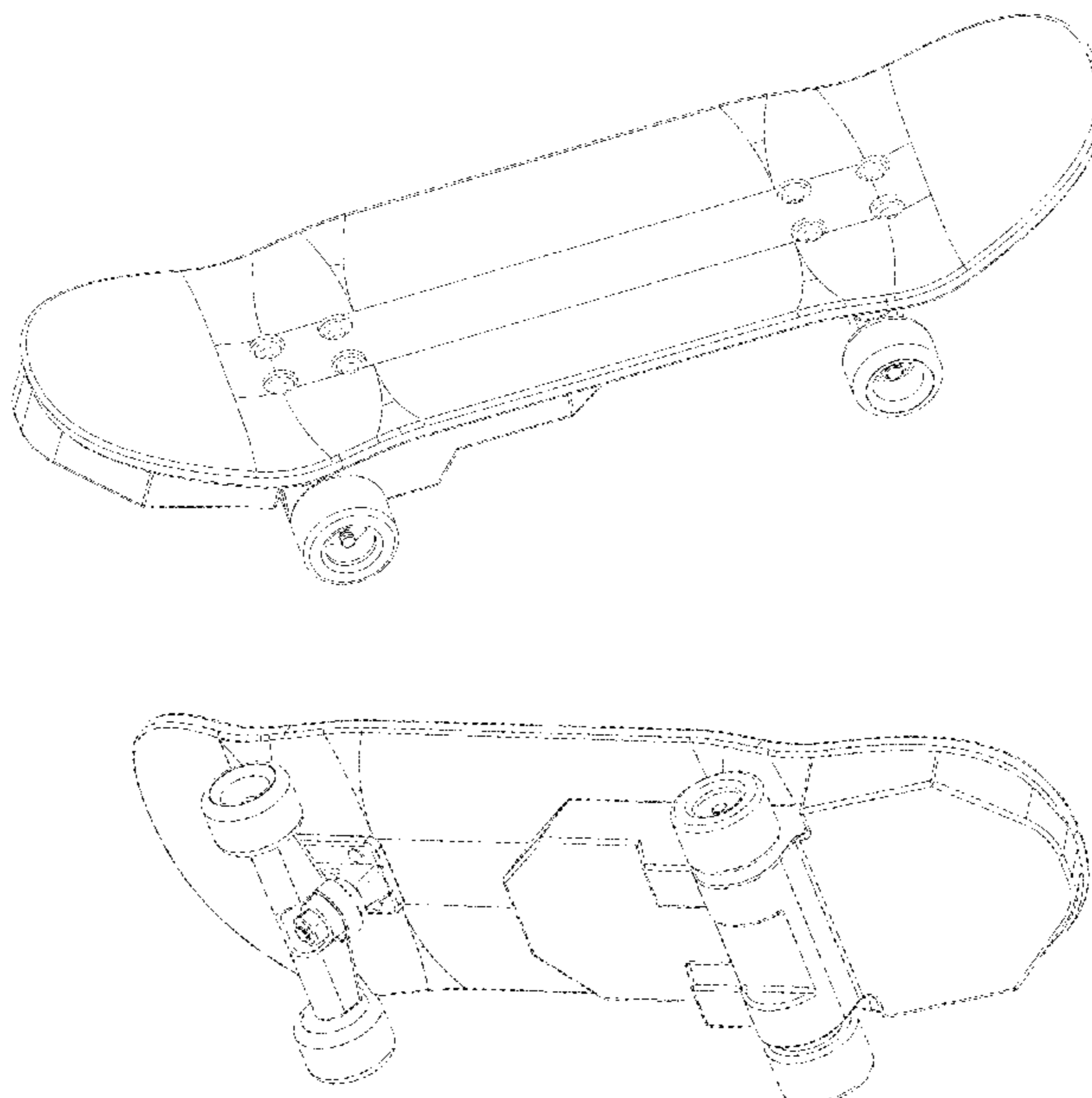


FIGURE 1

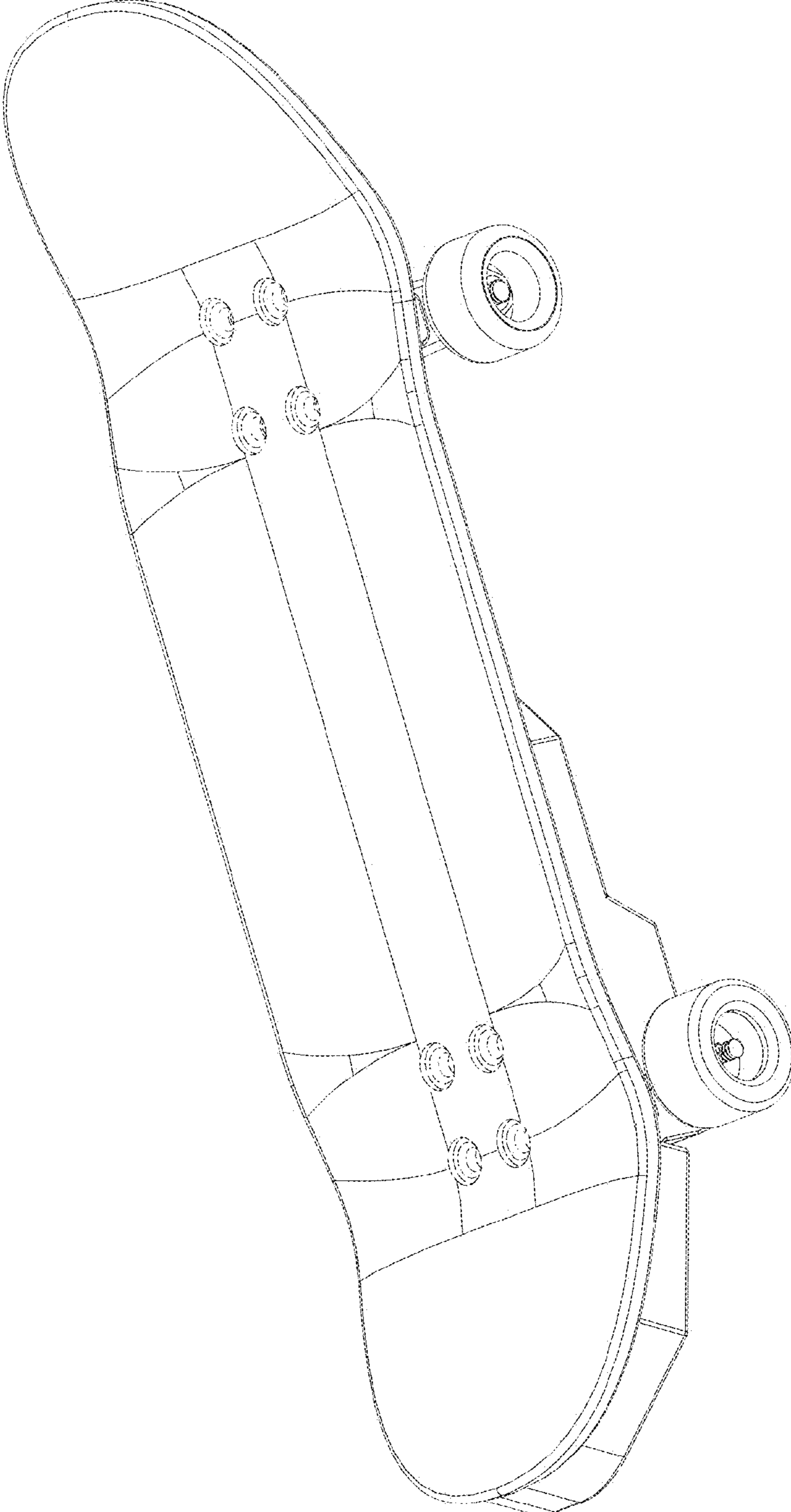


FIGURE 2

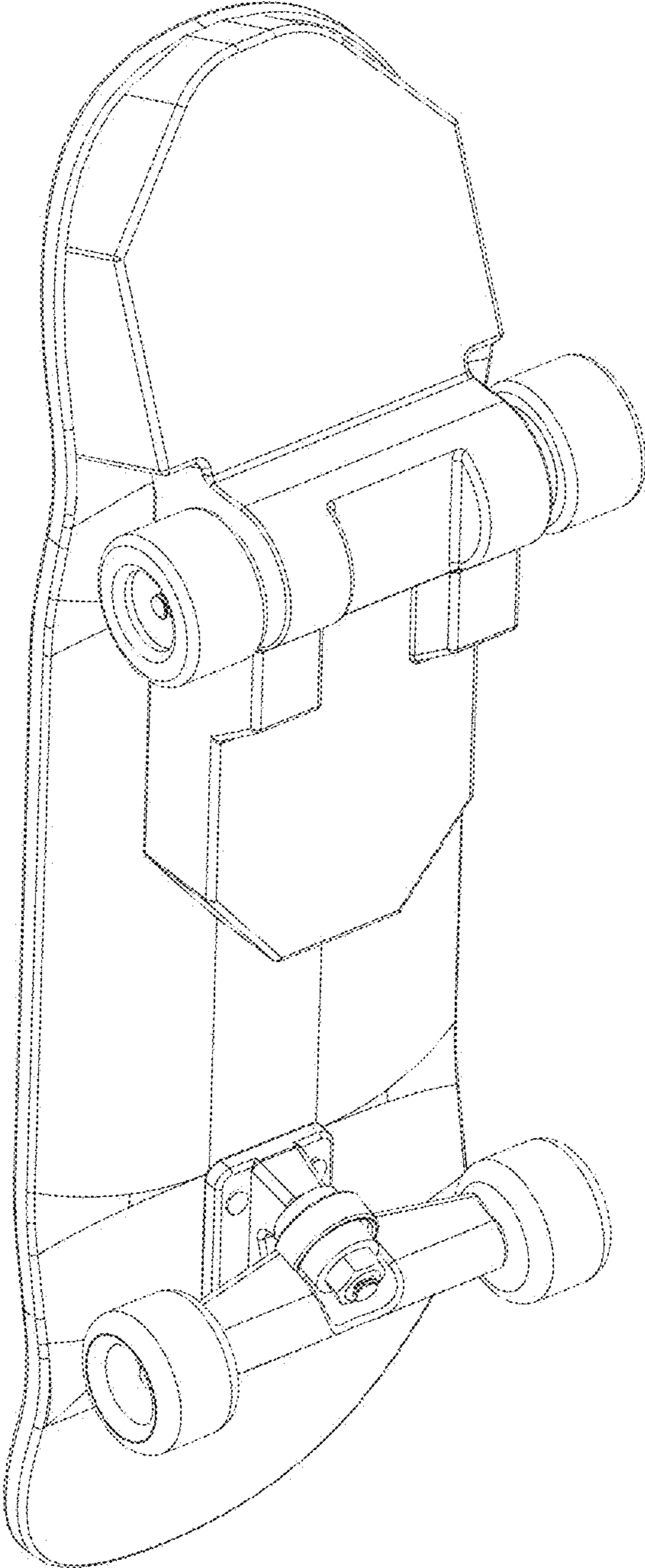


FIGURE 3

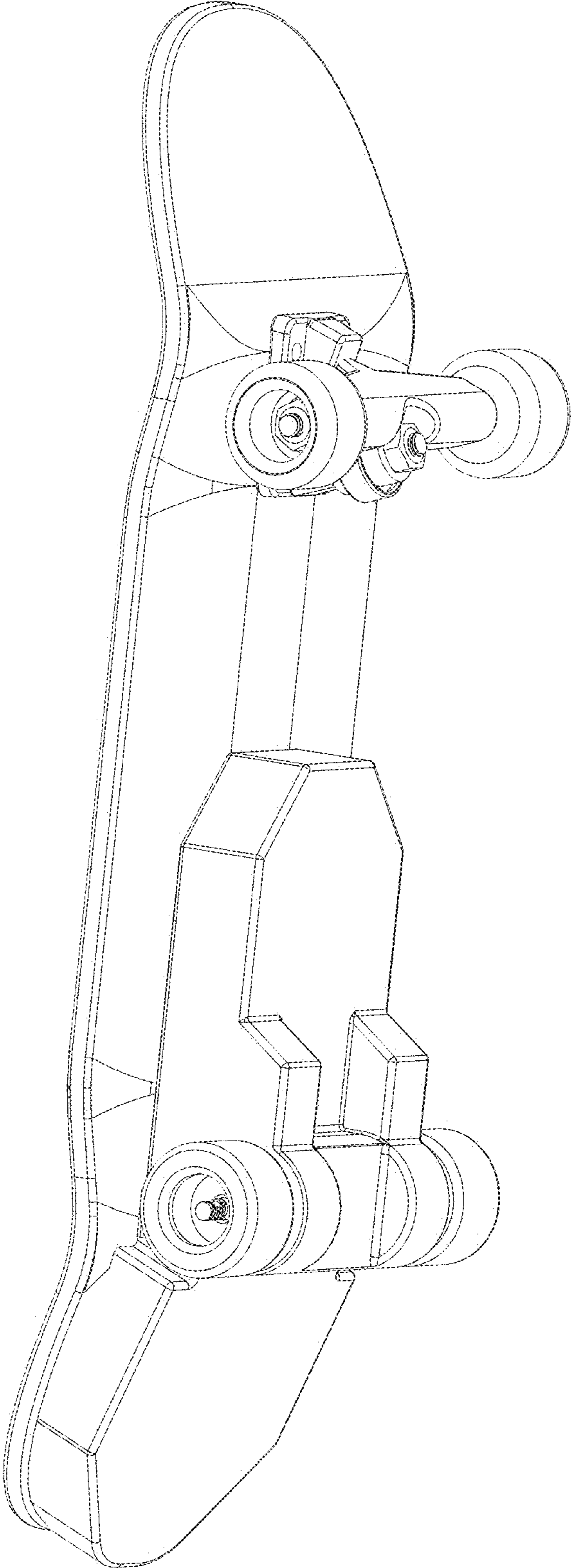


FIGURE 4

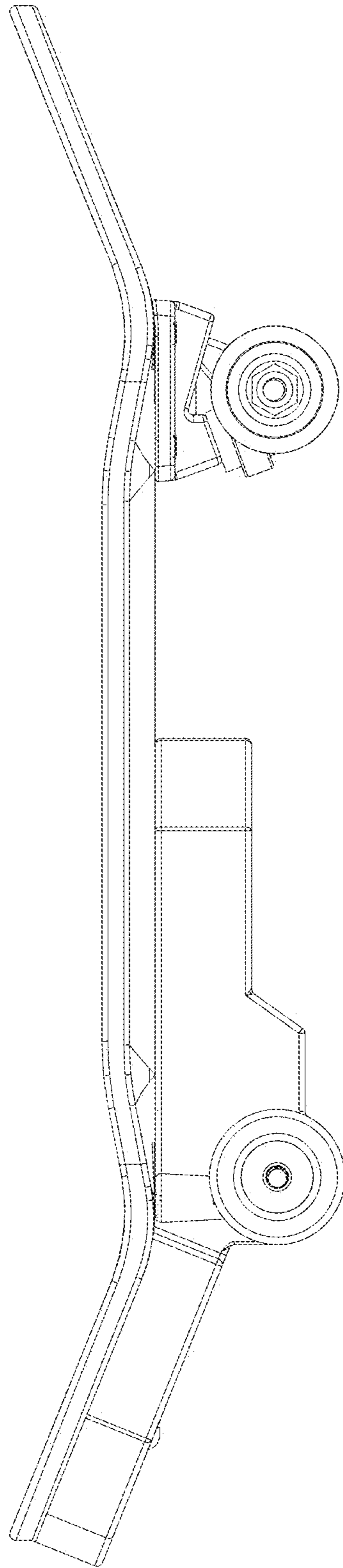


FIGURE 5

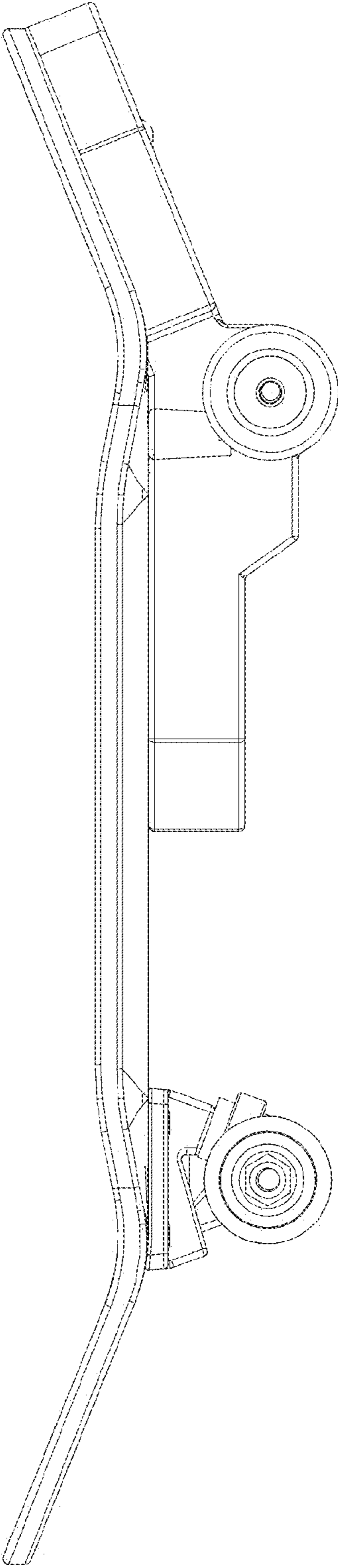


FIGURE 6

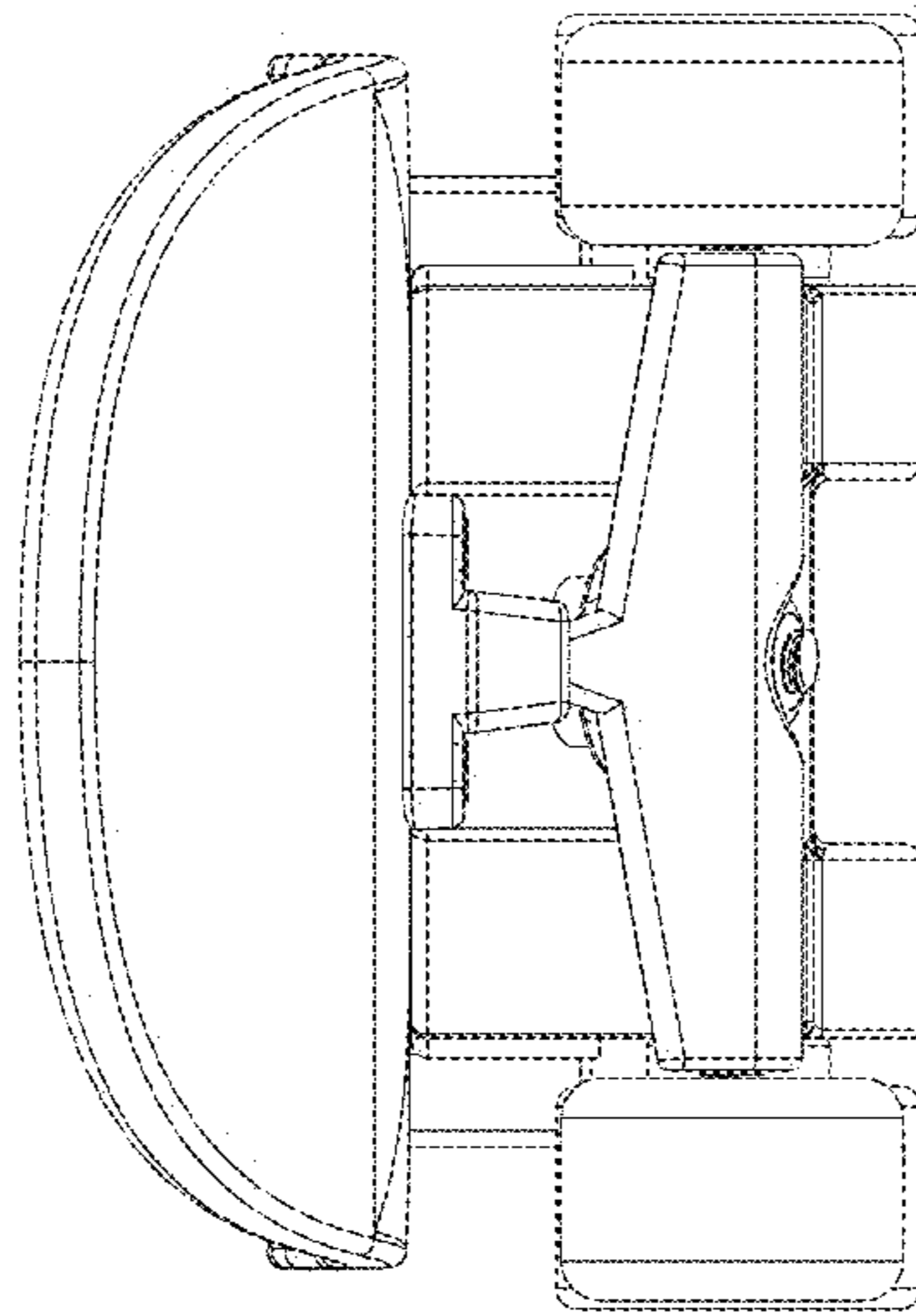


FIGURE 7

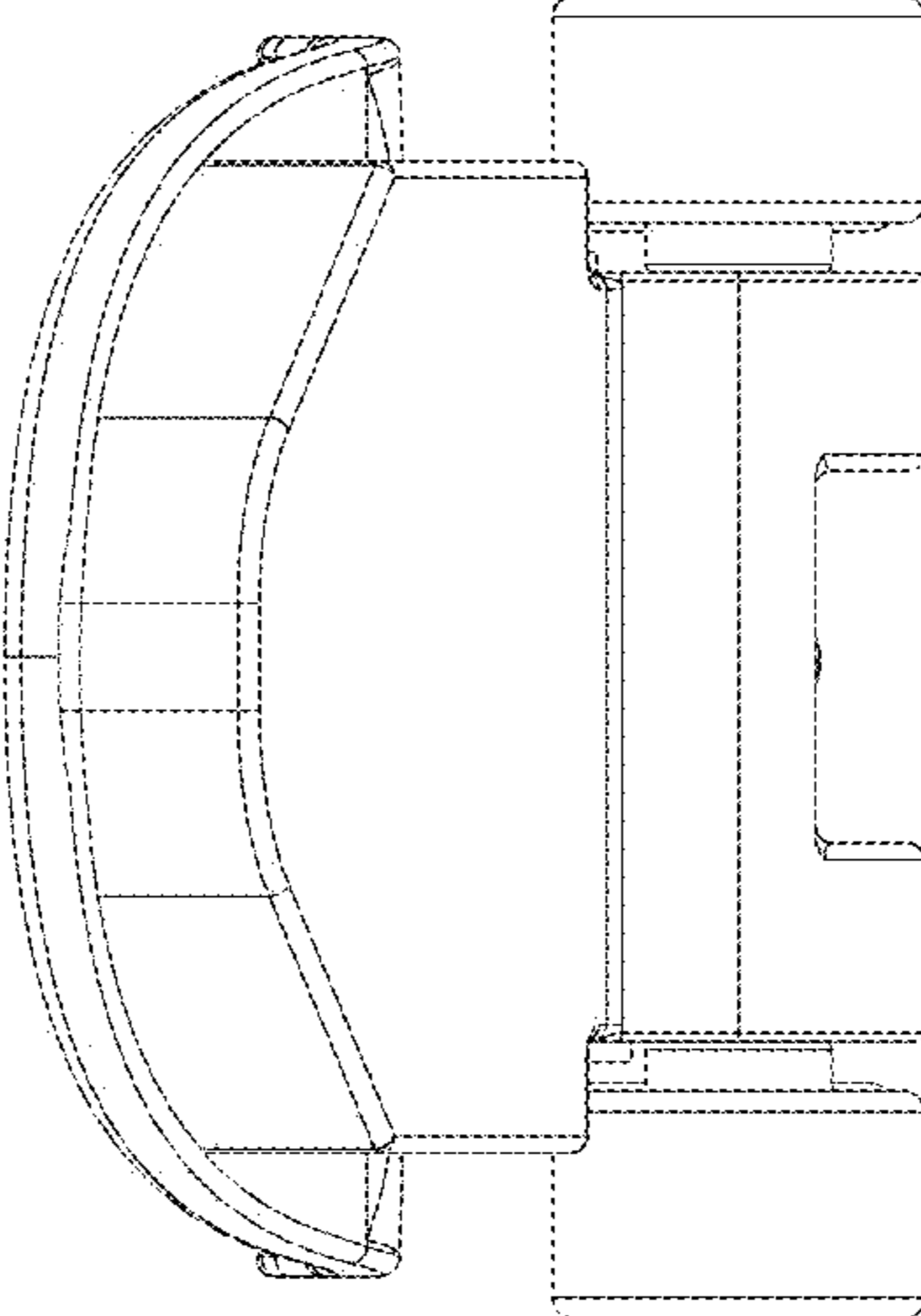


FIGURE 8

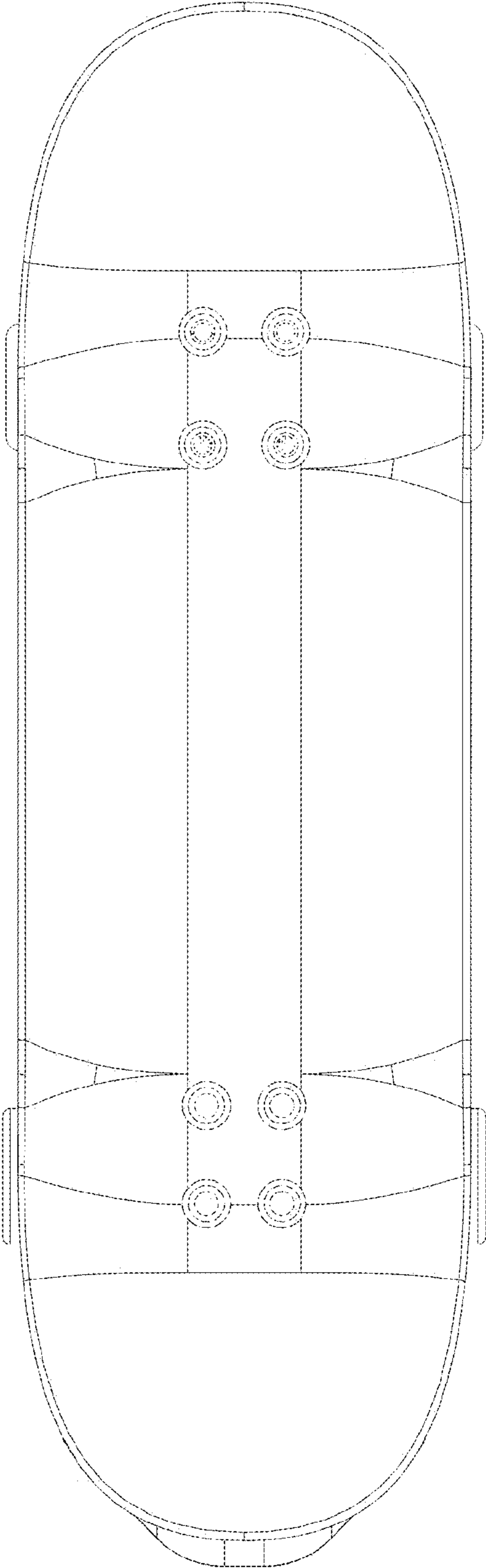


FIGURE 9

