



US00D720417S

(12) **United States Design Patent**
Delvac et al.

(10) **Patent No.:** **US D720,417 S**

(45) **Date of Patent:** **** Dec. 30, 2014**

(54) **IRON-TYPE GOLF CLUB HEAD**

(71) Applicant: **Mizuno USA, Inc.**, Norcross, GA (US)

(72) Inventors: **Richard Delvac**, Lawrenceville, GA (US); **David Llewellyn**, Duluth, GA (US)

(73) Assignee: **Mizuno USA, Inc.**, Norcross, GA (US)

(**) Term: **14 Years**

(21) Appl. No.: **29/468,624**

(22) Filed: **Oct. 1, 2013**

(51) **LOC (10) Cl.** **21-02**

(52) **U.S. Cl.**
USPC **D21/759**

(58) **Field of Classification Search**
USPC D21/747-751, 759; 473/324-331, 350
See application file for complete search history.

(56) **References Cited**

U.S. PATENT DOCUMENTS

D300,547	S	*	4/1989	Kobayashi	D21/748
5,280,911	A	*	1/1994	Katayama	473/328
5,435,559	A	*	7/1995	Swisshelm	473/291
D420,080	S	*	2/2000	Gates	D21/747
D435,278	S	*	12/2000	Reed et al.	D21/747
D556,848	S	*	12/2007	Ruggiero et al.	D21/759
D577,087	S	*	9/2008	Roach et al.	D21/749
D579,996	S	*	11/2008	Gilbert et al.	D21/747
D581,000	S	*	11/2008	Nicolette et al.	D21/749
D601,651	S	*	10/2009	Jorgensen et al.	D21/759

D629,059	S	*	12/2010	Foster	D21/747
D638,894	S	*	5/2011	Potter	D21/759
D641,447	S	*	7/2011	Engel et al.	D21/759

* cited by examiner

Primary Examiner — Mitchell Siegel

(74) *Attorney, Agent, or Firm* — Troutman Sanders, LLP; James E. Schutz; Daniel Sharpe

(57) **CLAIM**

The ornamental design for an iron-type golf club head, as shown and described.

DESCRIPTION

FIG. 1 illustrates a front, left perspective view of an iron-type golf club head;

FIG. 2 illustrates a front view of an iron-type golf club head;

FIG. 3 illustrates a rear, left perspective view of an iron-type golf club head;

FIG. 4 illustrates a rear perspective view of an iron-type golf club head;

FIG. 5 illustrates a bottom, rear perspective view of an iron-type golf club head;

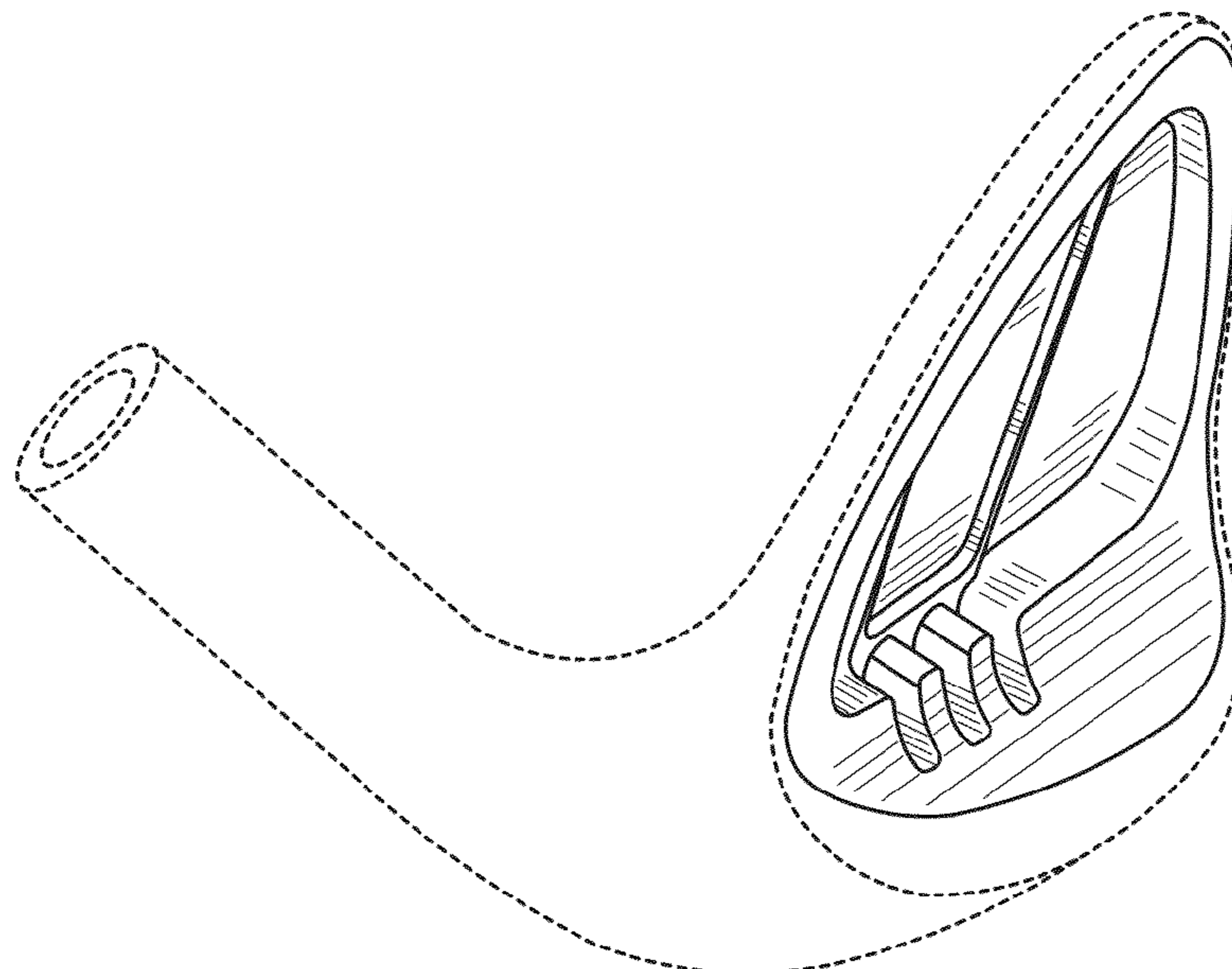
FIG. 6 illustrates a left, rear perspective view of an iron-type golf club head;

FIG. 7 illustrates a top perspective view of an iron-type golf club head; and,

FIG. 8 illustrates another left, rear perspective view of an iron-type golf club head.

The broken, dashed lines shown in the various figures depicting embodiments of the invention are included for the purpose of illustrating environment and do not form any part of the claimed design.

1 Claim, 8 Drawing Sheets



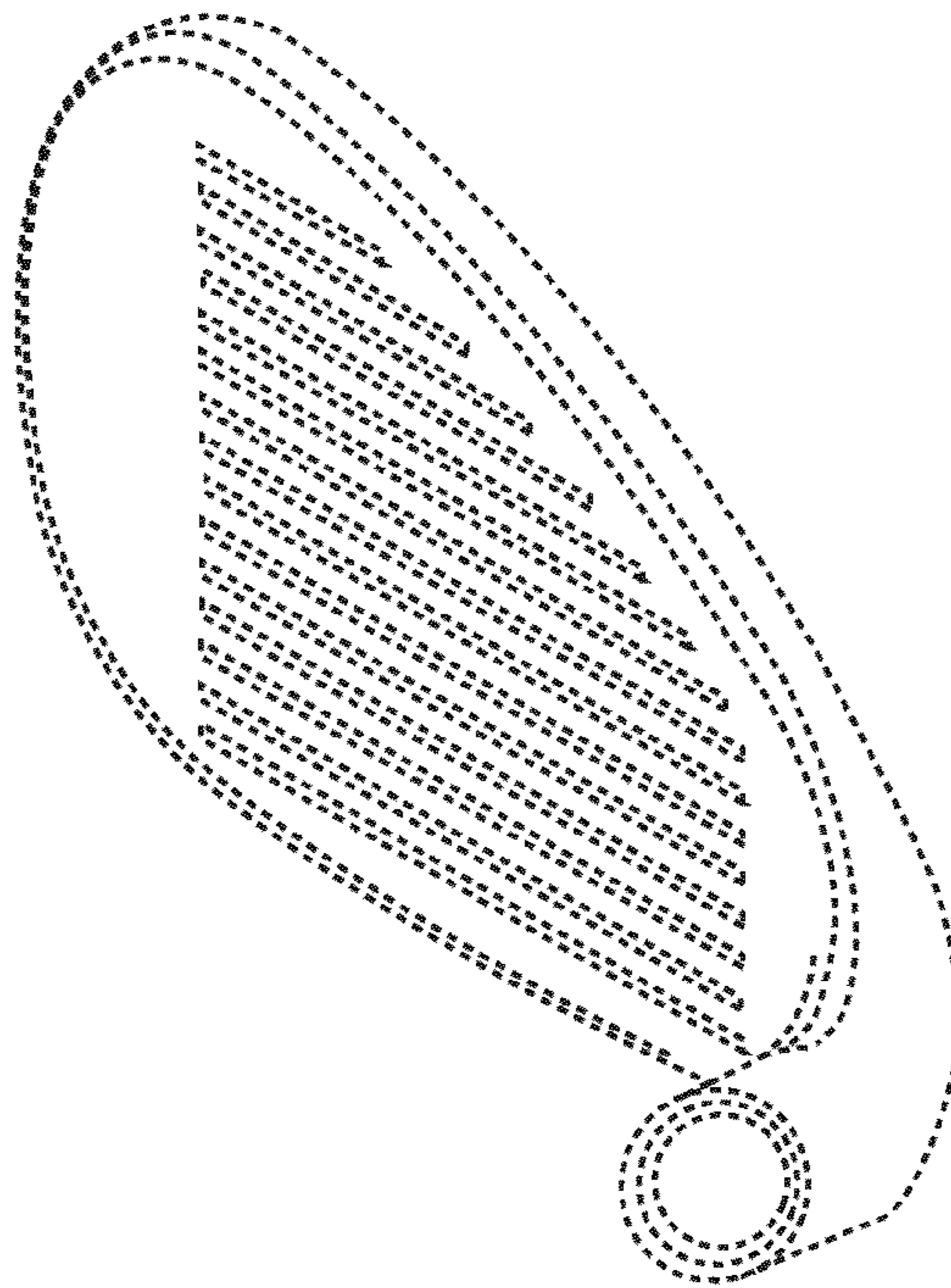


Figure 1

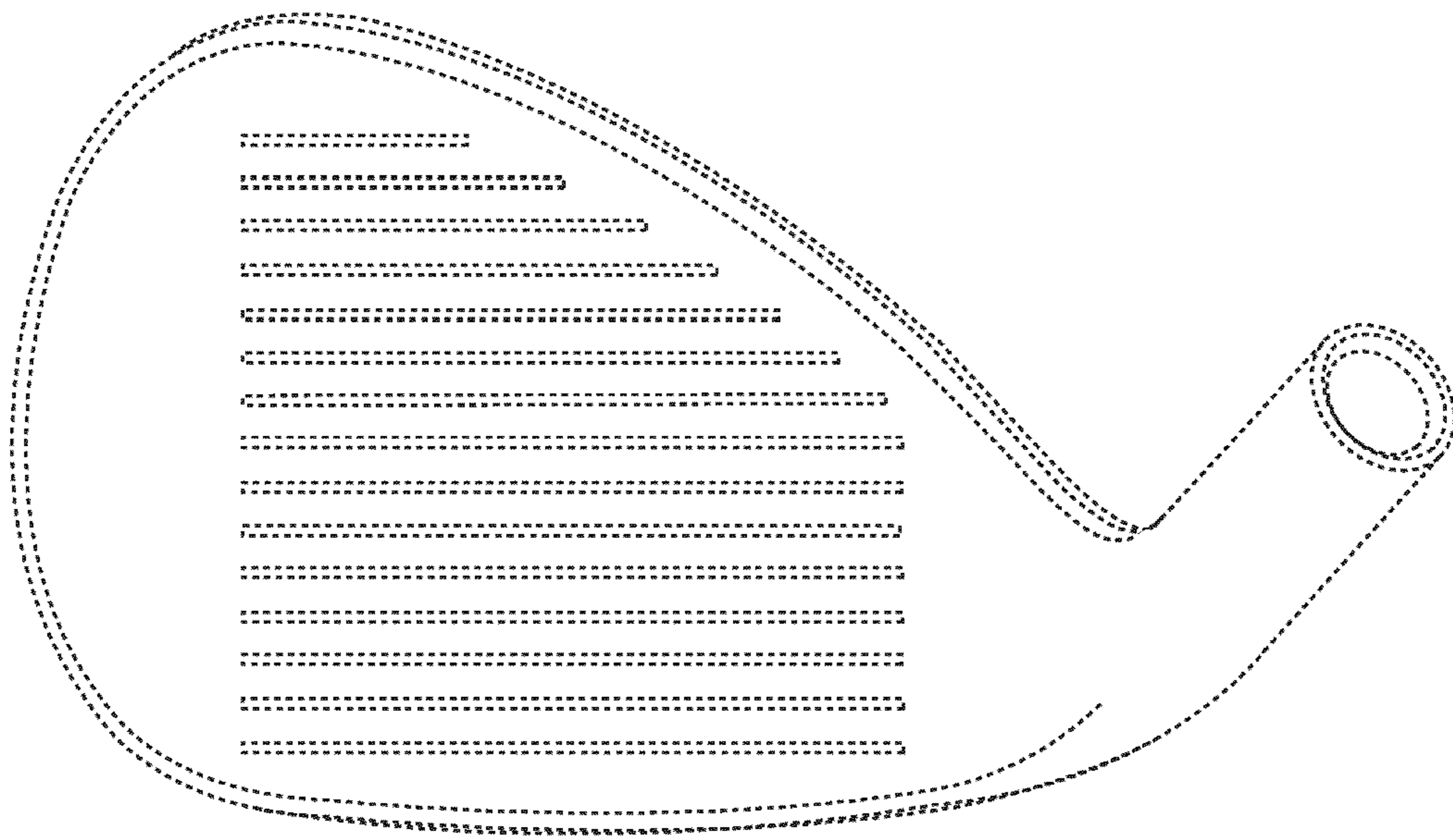


Figure 2

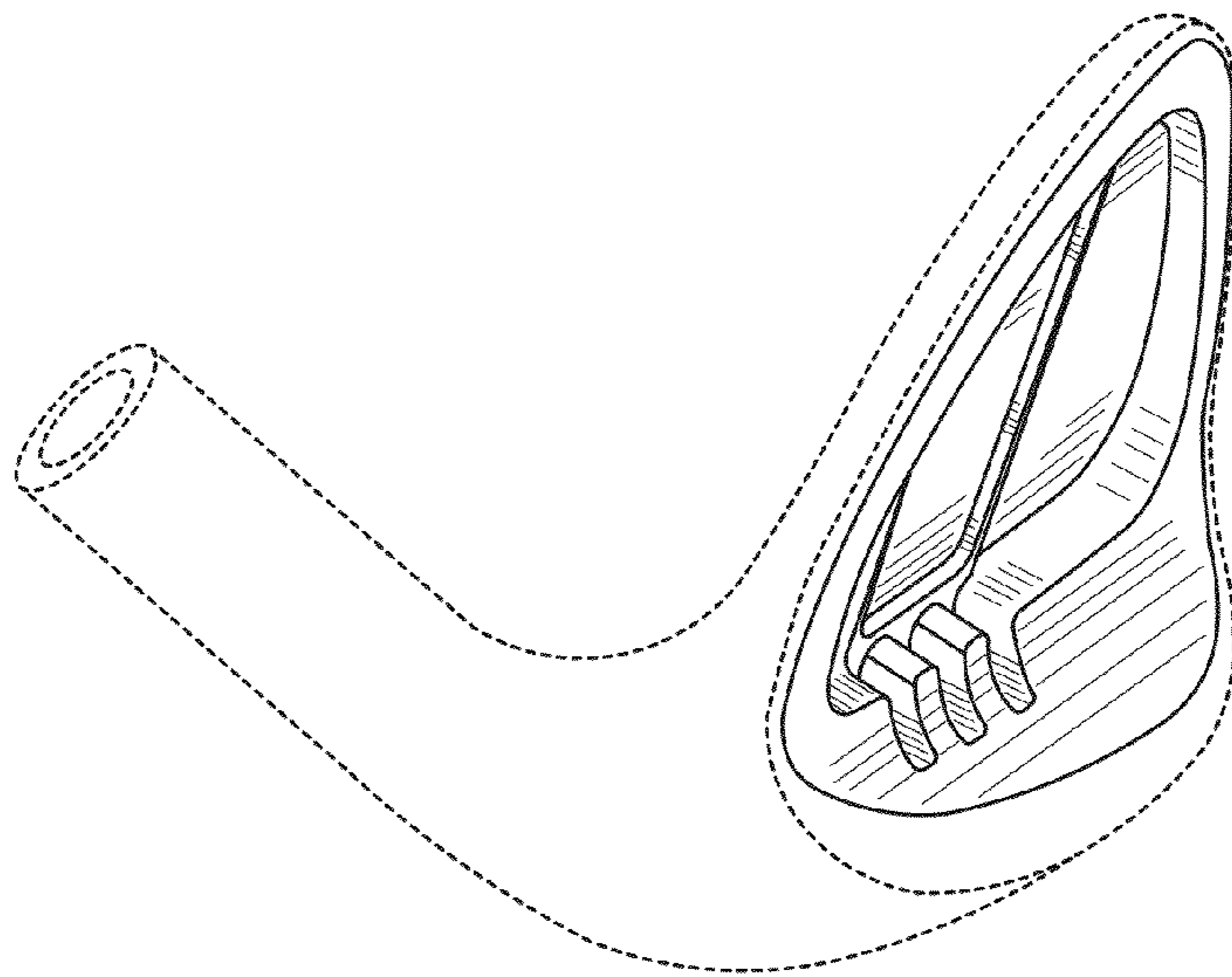


Figure 3

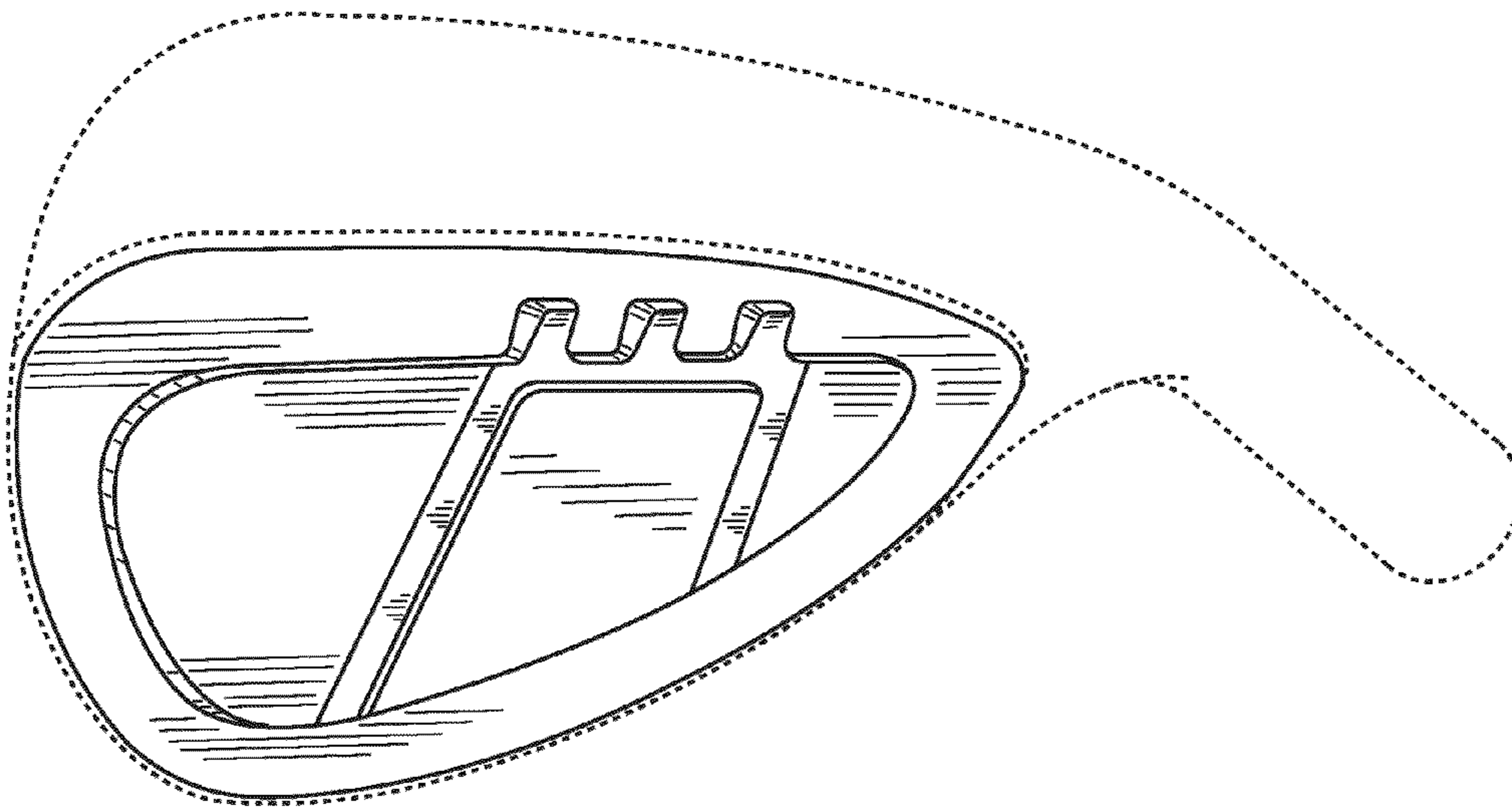


Figure 4

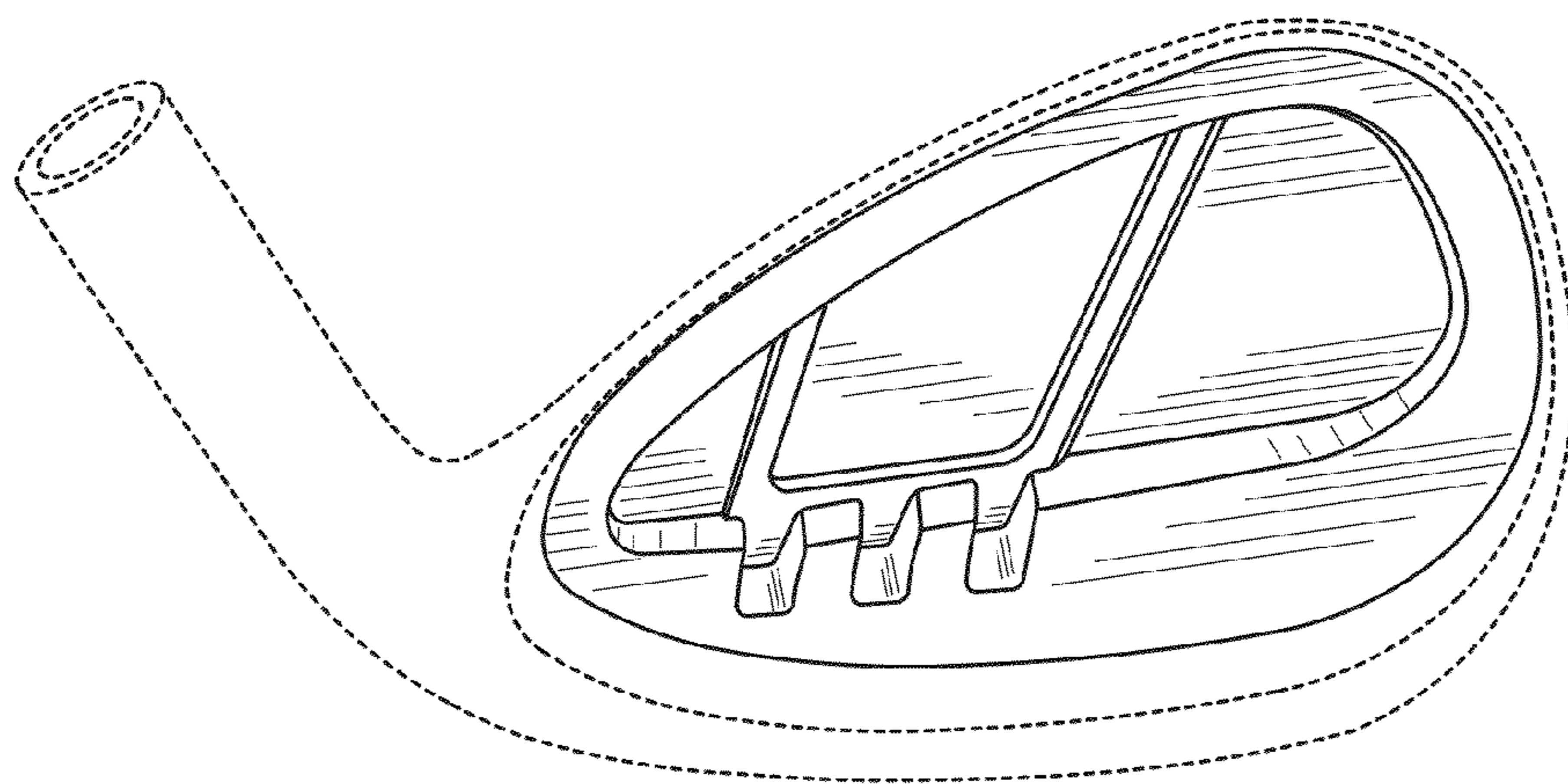


Figure 5

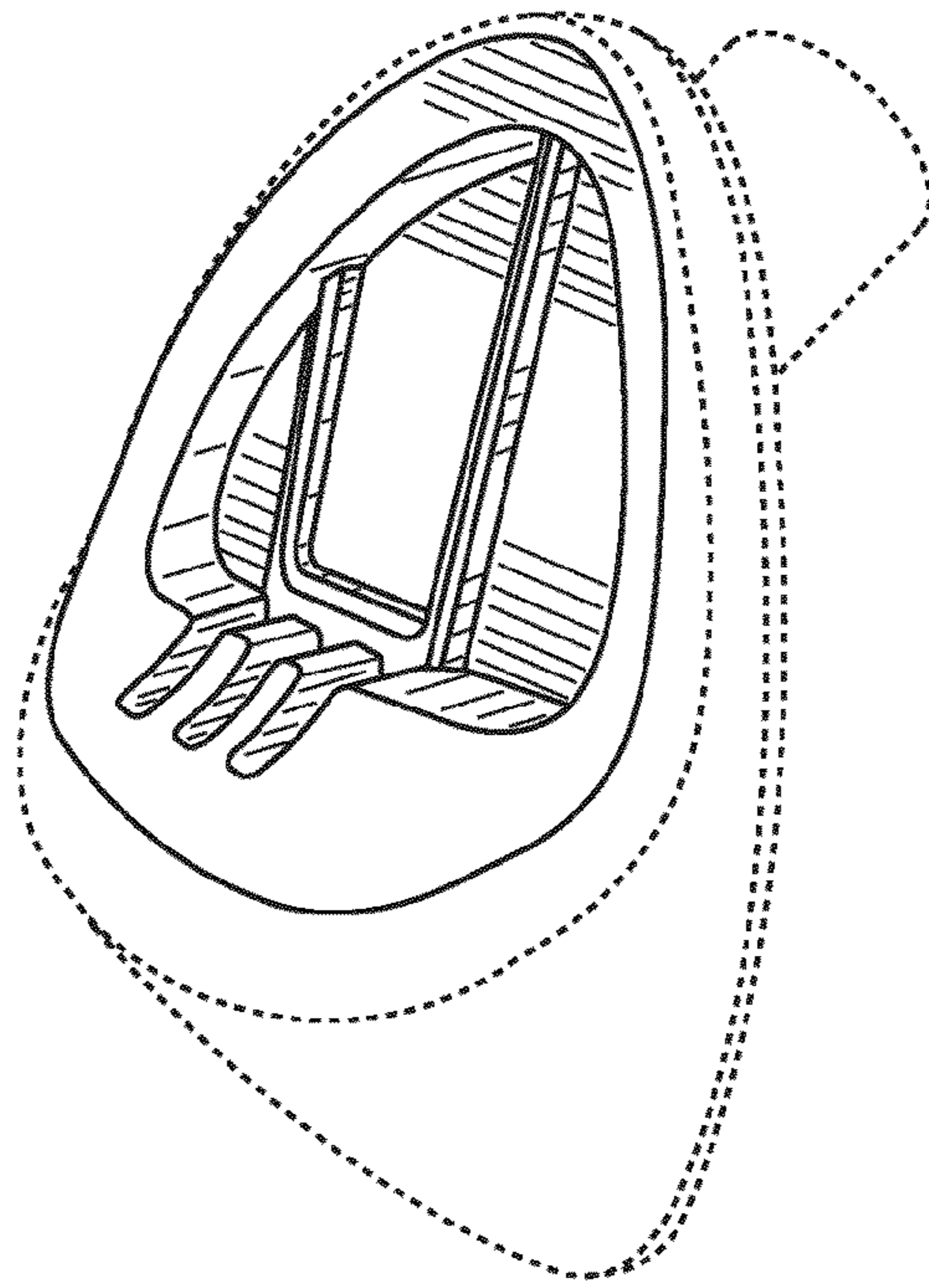


Figure 6

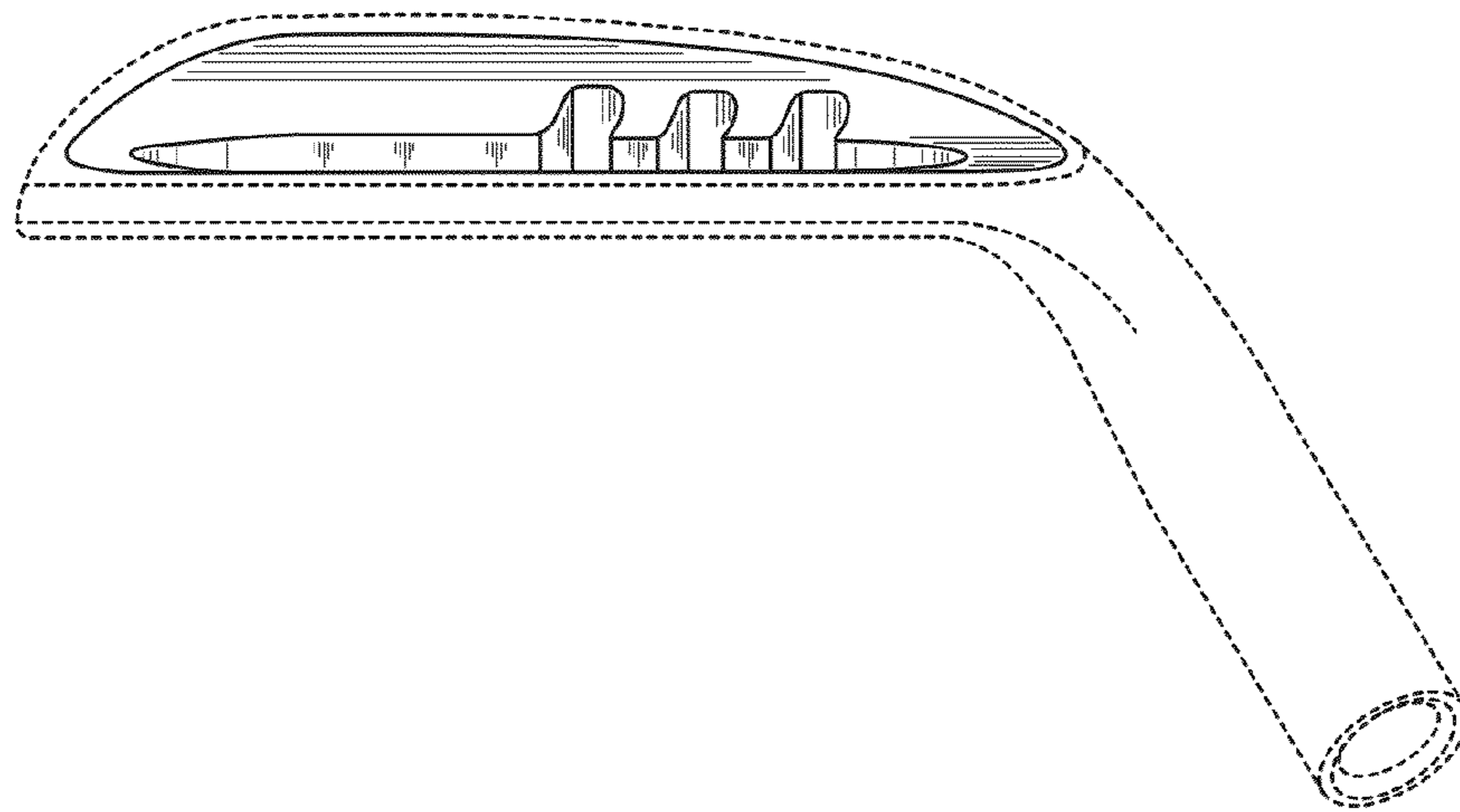


Figure 7

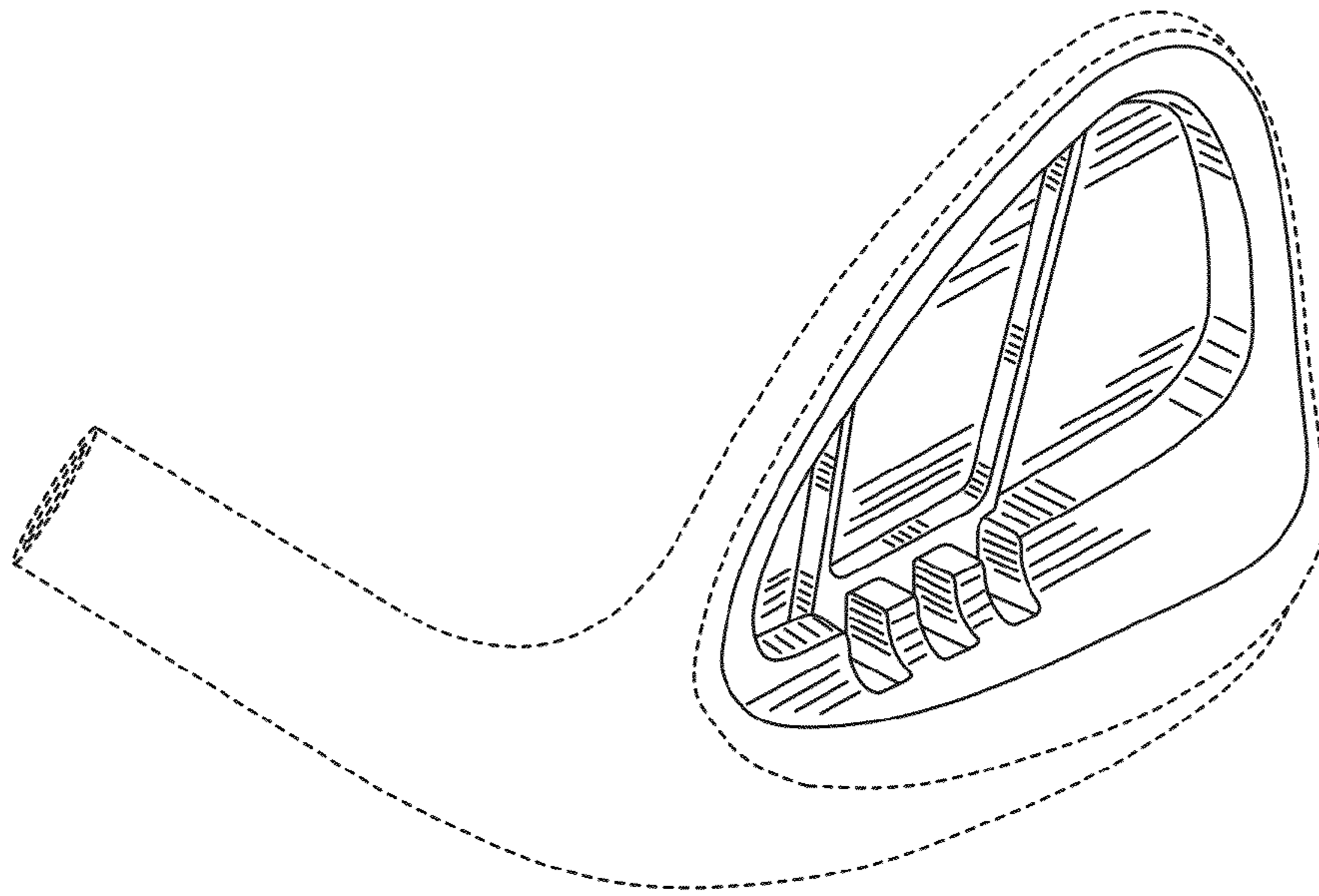


Figure 8