



US00D720415S

(12) **United States Design Patent**
Delvac et al.

(10) **Patent No.:** **US D720,415 S**
(45) **Date of Patent:** **** Dec. 30, 2014**

- (54) **IRON-TYPE GOLF CLUB HEAD**
- (71) Applicant: **Mizuno USA, Inc.**, Norcross, GA (US)
- (72) Inventors: **Richard Delvac**, Lawrenceville, GA (US); **Tomoaki Aoki**, Duluth, GA (US); **Kazuhiko Natori**, Osaka (JP)
- (73) Assignee: **Mizuno USA, Inc.**, Norcross, GA (US)
- (**) Term: **14 Years**
- (21) Appl. No.: **29/468,622**
- (22) Filed: **Oct. 1, 2013**
- (51) **LOC (10) Cl.** **21-02**
- (52) **U.S. Cl.**
USPC **D21/759**
- (58) **Field of Classification Search**
USPC D21/747-751, 759; 473/324-331, 350
See application file for complete search history.

(56) **References Cited**

U.S. PATENT DOCUMENTS

D348,091 S *	6/1994	Allen	D21/749
D359,539 S *	6/1995	Allen	D21/749
D359,781 S *	6/1995	Allen	D21/749
D359,783 S *	6/1995	Allen	D21/749
D505,466 S *	5/2005	Lang et al.	D21/749
D510,115 S *	9/2005	Lang et al.	D21/749
D569,932 S *	5/2008	Peterman	D21/748
8,506,423 B2 *	8/2013	Oldknow et al.	473/346

* cited by examiner

Primary Examiner — Mitchell Siegel
(74) *Attorney, Agent, or Firm* — Troutman Sanders, LLP;
James E. Schutz; Daniel Sharpe

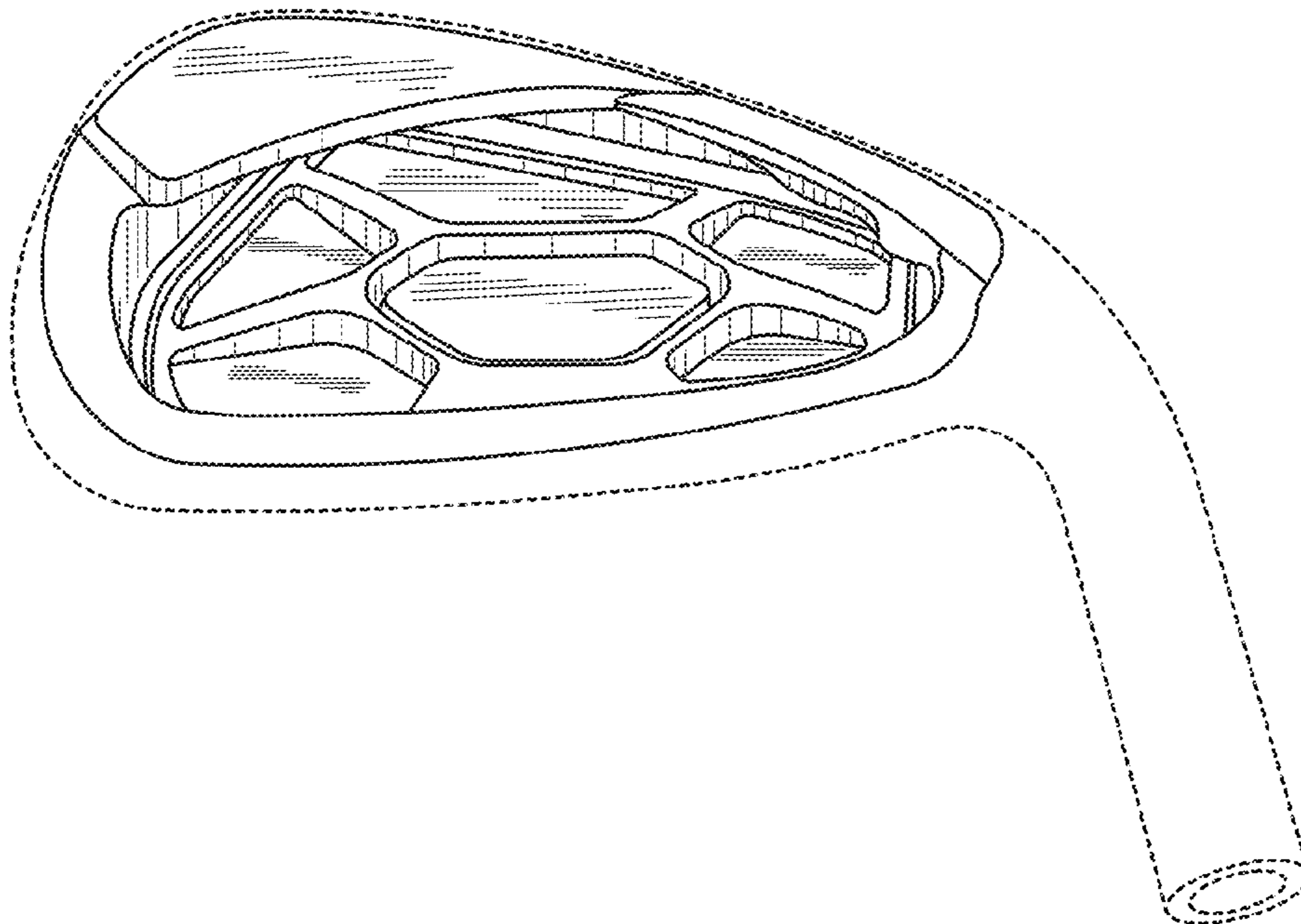
(57) **CLAIM**

The ornamental design for an iron-type golf club head, as shown and described.

DESCRIPTION

FIG. 1 illustrates a front, left perspective view of an iron-type golf club head;
 FIG. 2 illustrates a front view of an iron-type golf club head;
 FIG. 3 illustrates a rear, right perspective view of an iron-type golf club head;
 FIG. 4 illustrates a bottom, rear perspective view of an iron-type golf club head;
 FIG. 5 illustrates a top perspective view of an iron-type golf club head;
 FIG. 6 illustrates a left, rear perspective view of an iron-type golf club head;
 FIG. 7 illustrates a rear perspective view of an iron-type golf club head; and,
 FIG. 8 illustrates another left, rear perspective view of an iron-type golf club head.
 The broken, dashed lines shown in the various figures depicting embodiments of the invention are included for the purpose of illustrating environment and do not form any part of the claimed design.

1 Claim, 8 Drawing Sheets



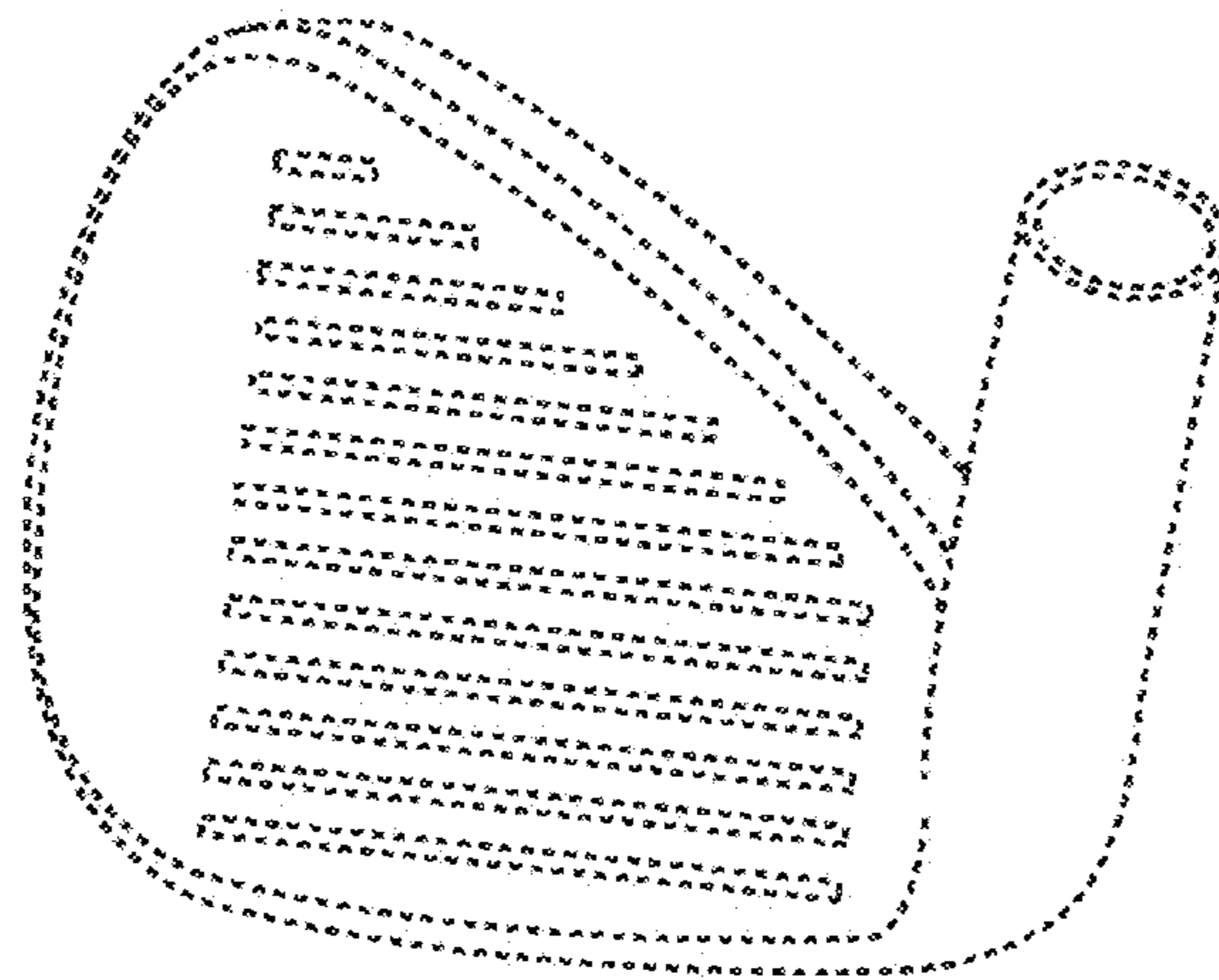


Figure 1

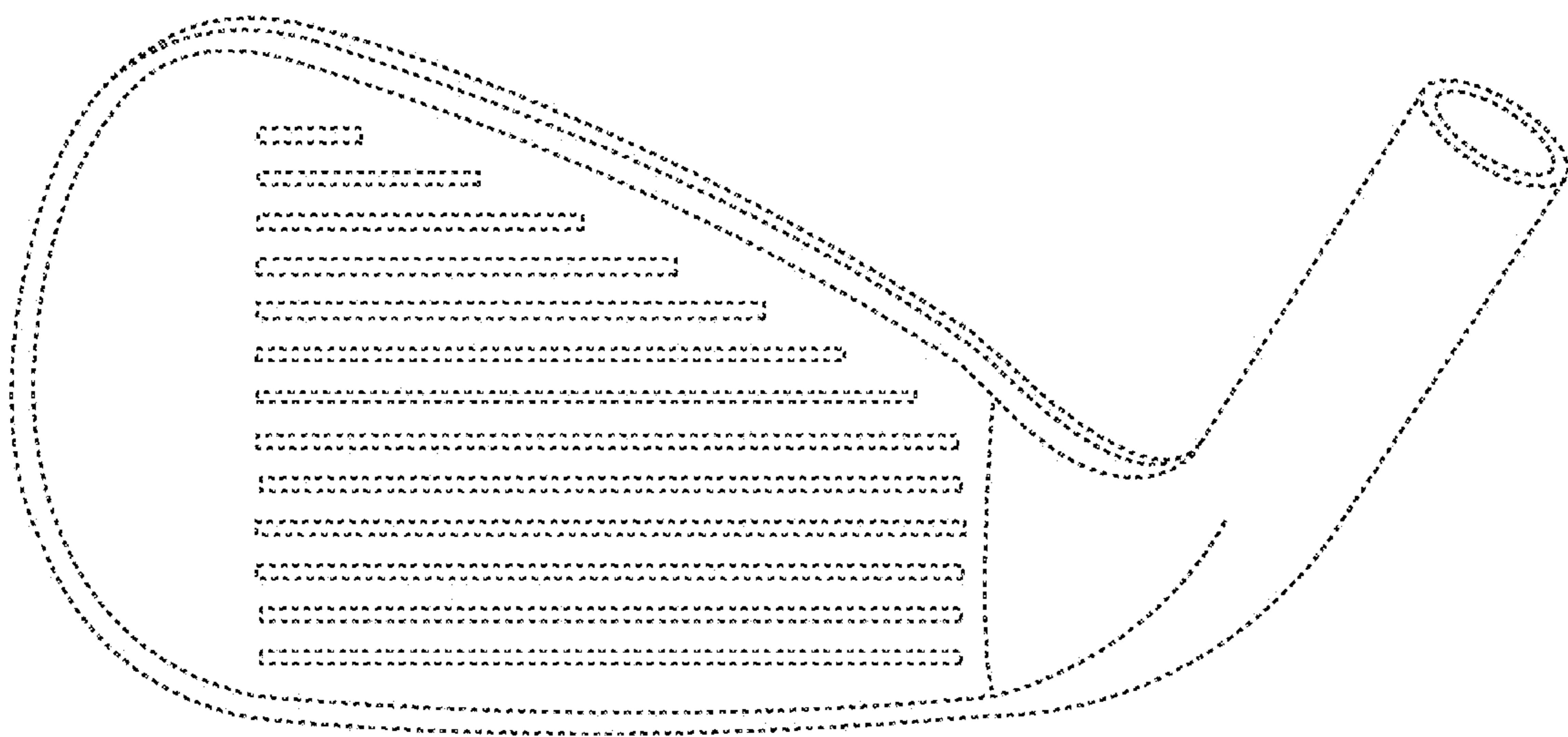


Figure 2

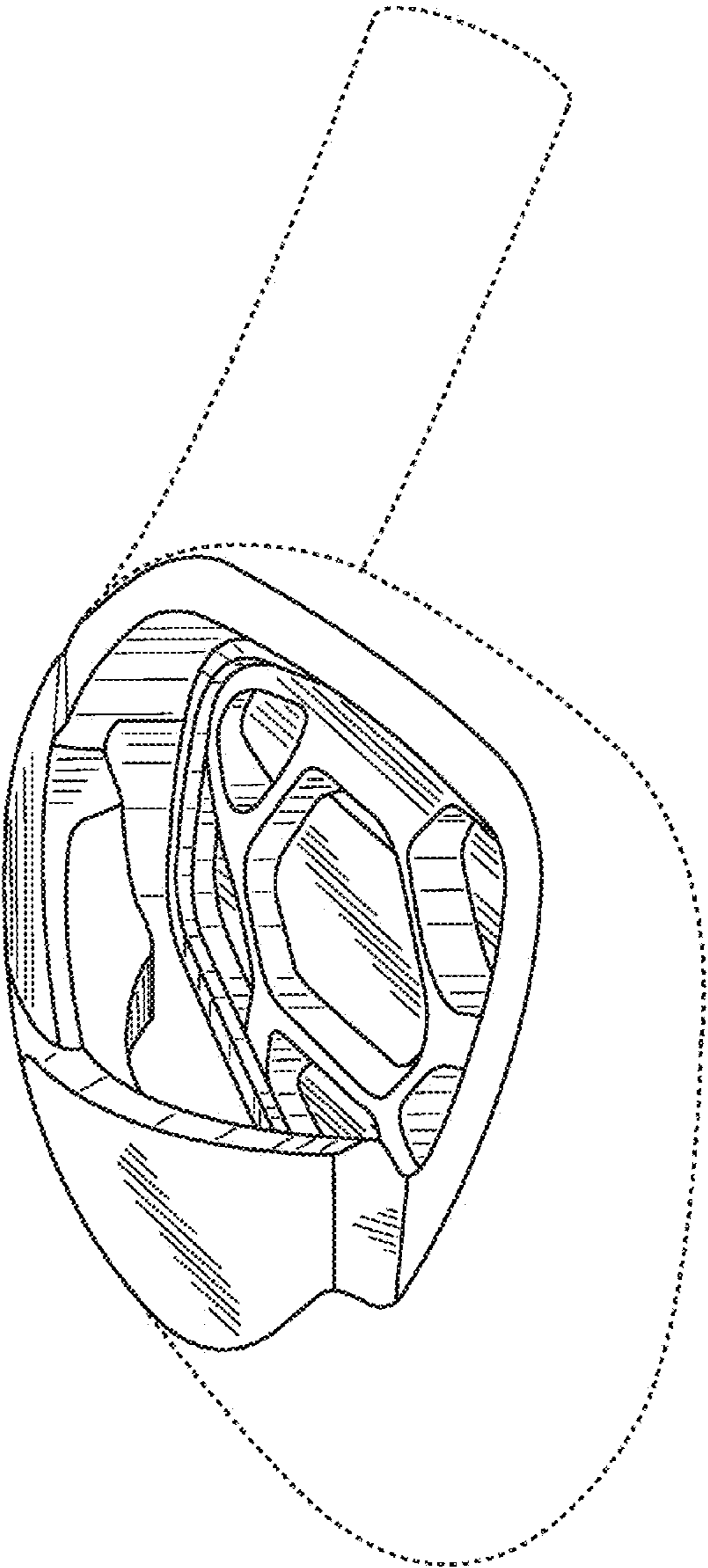


Figure 3

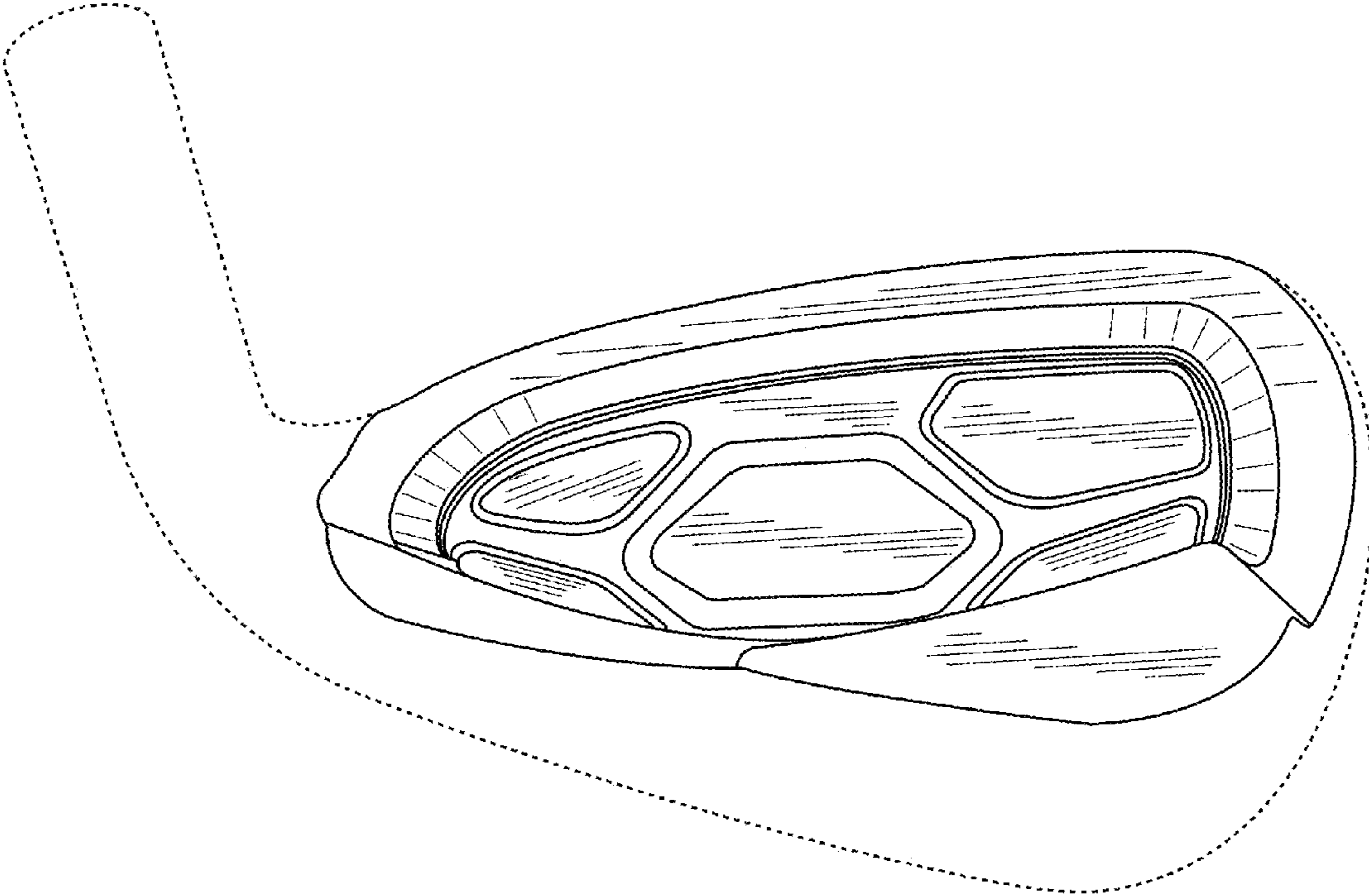


Figure 4

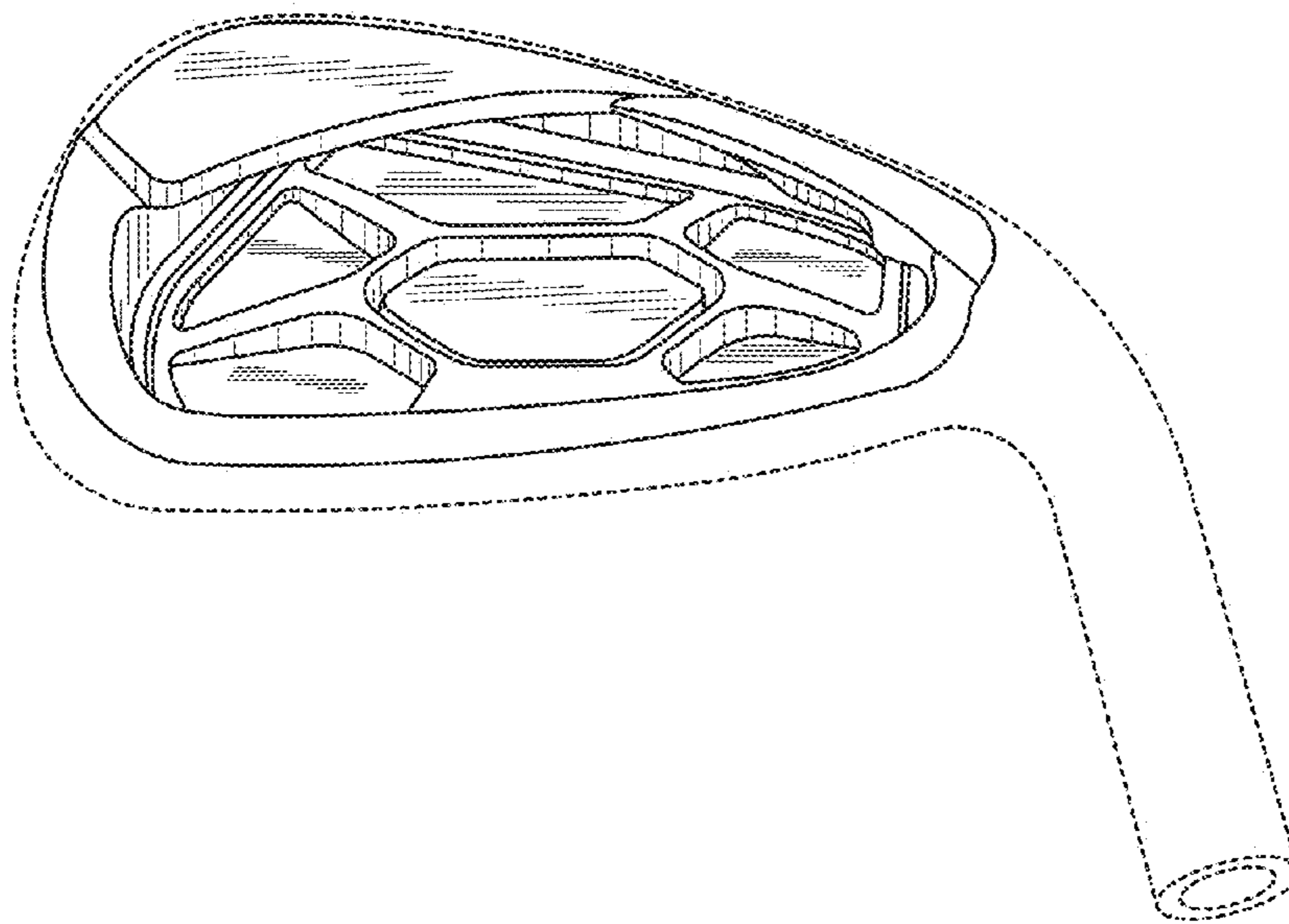


Figure 5

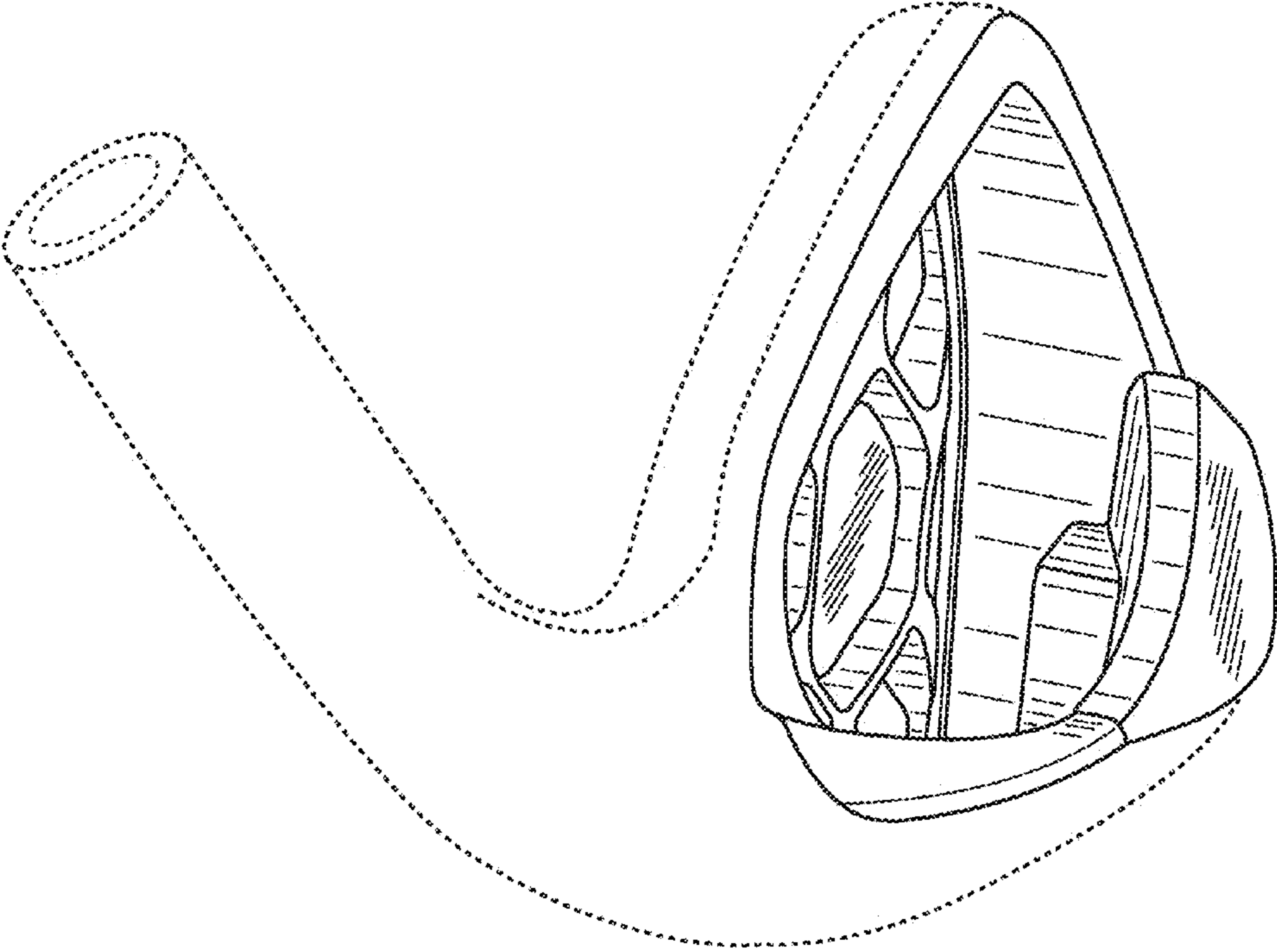


Figure 6

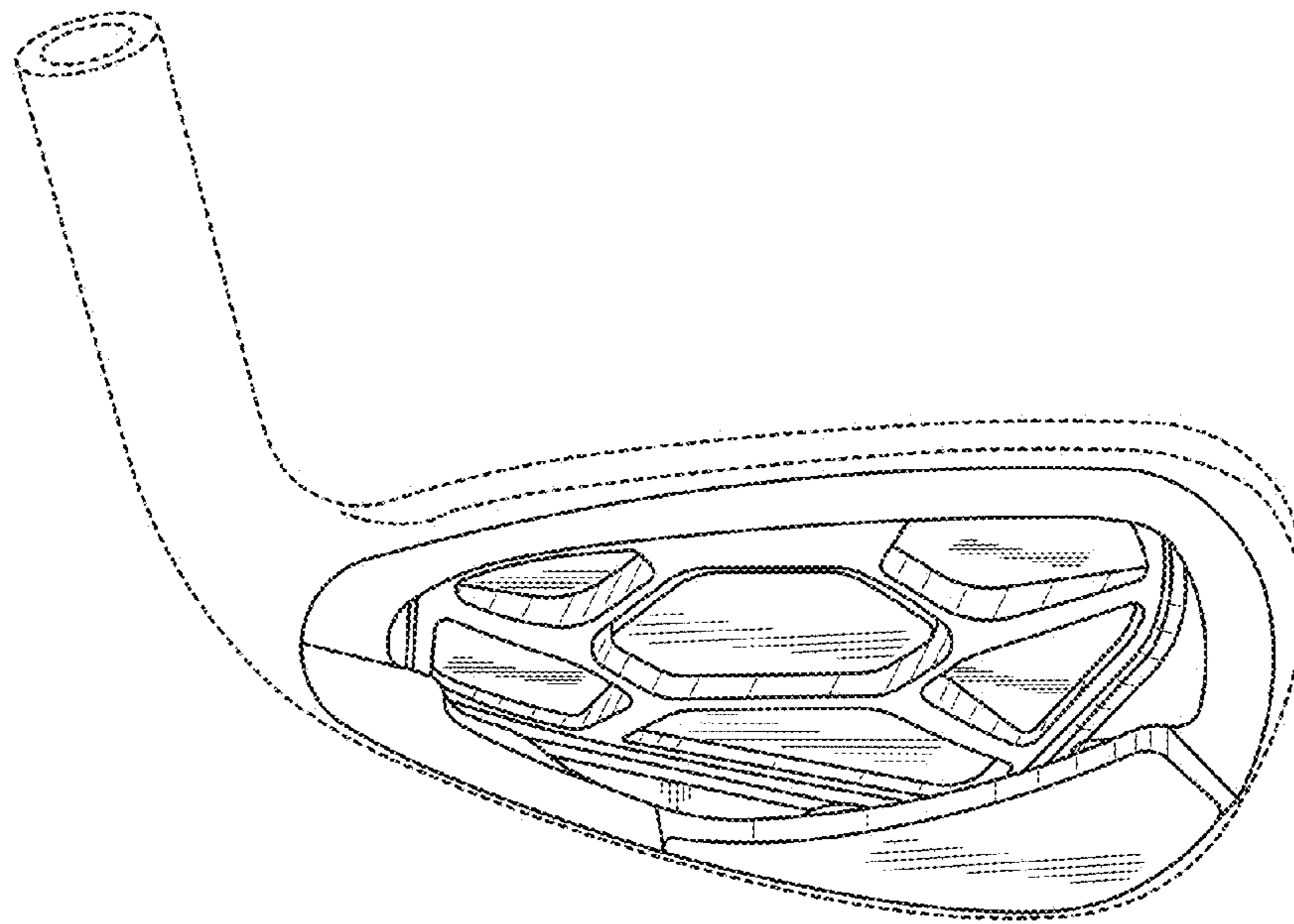


Figure 7

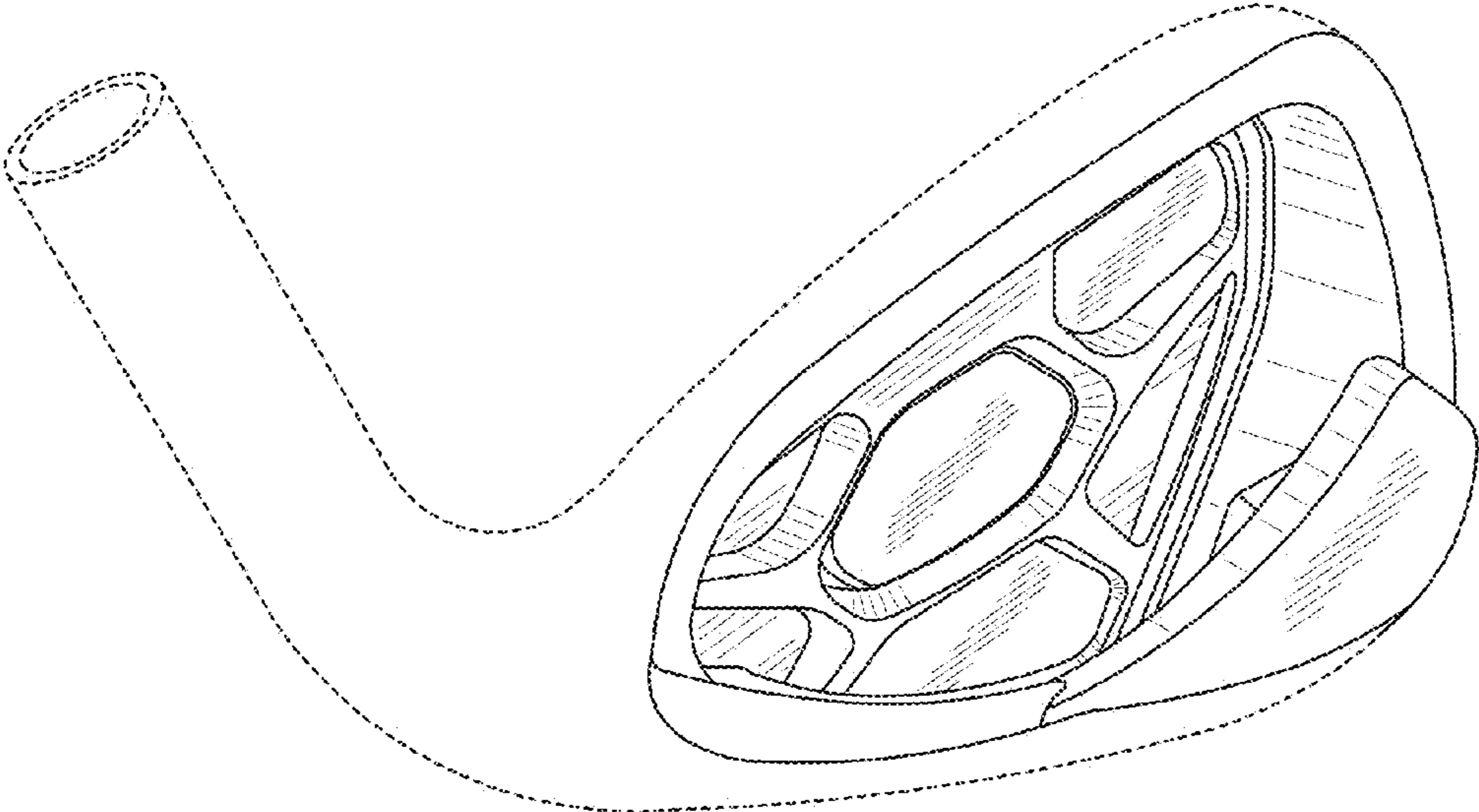


Figure 8