

US00D720412S

(12) **United States Design Patent**
Rollinson

(10) **Patent No.:** **US D720,412 S**

(45) **Date of Patent:** **** Dec. 30, 2014**

(54) **PUTTER HEAD**

(71) Applicant: **Callaway Golf Company**, Carlsbad, CA
(US)

(72) Inventor: **Augustin W. Rollinson**, Carlsbad, CA
(US)

(73) Assignee: **Callaway Golf Company**, Carlsbad, CA
(US)

(**) Term: **14 Years**

(21) Appl. No.: **29/481,123**

(22) Filed: **Jan. 31, 2014**

(51) **LOC (10) Cl.** **21-02**

(52) **U.S. Cl.**
USPC **D21/743**

(58) **Field of Classification Search**
USPC D21/736-746, 759; 473/324-331,
473/340-341, 251-256

See application file for complete search history.

(56) **References Cited**

U.S. PATENT DOCUMENTS

| | | | | |
|--------------|---------|------------------|-------|---------|
| D396,083 S * | 7/1998 | Sheets | | D21/742 |
| D399,911 S * | 10/1998 | Nicolette et al. | | D21/736 |
| D400,610 S * | 11/1998 | Cameron et al. | | D21/742 |
| D428,457 S * | 7/2000 | Rollinson et al. | | D21/743 |
| D635,625 S * | 4/2011 | Rollinson | | D21/743 |
| D688,339 S * | 8/2013 | Hilton et al. | | D21/736 |
| D688,341 S * | 8/2013 | Rollinson | | D21/746 |
| D688,761 S * | 8/2013 | Hilton et al. | | D21/736 |
| D688,762 S * | 8/2013 | Hilton et al. | | D21/736 |
| D689,574 S * | 9/2013 | Rollinson | | D21/743 |

| | | | | |
|-------------------|---------|---------------|-------|---------|
| D690,378 S * | 9/2013 | Rollinson | | D21/743 |
| D691,225 S * | 10/2013 | Hilton et al. | | D21/736 |
| D691,226 S * | 10/2013 | Hilton et al. | | D21/746 |
| D691,681 S * | 10/2013 | Hilton et al. | | D21/736 |
| 2006/0223646 A1 * | 10/2006 | Rife | | 473/251 |

* cited by examiner

Primary Examiner — Mitchell Siegel

(74) *Attorney, Agent, or Firm* — Rebecca Hanovice;
Michael A. Catania; Sonia Lari

(57) **CLAIM**

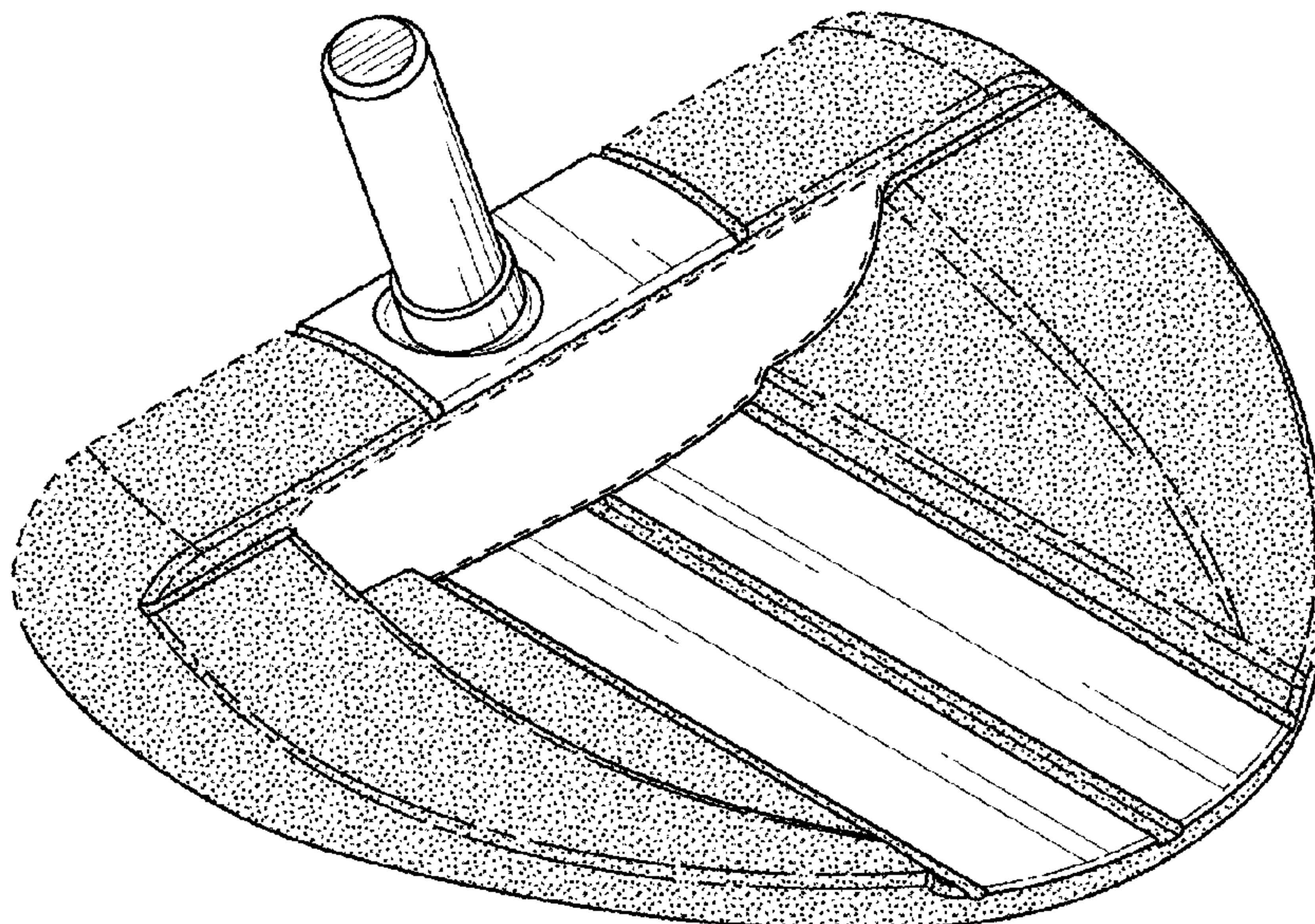
The ornamental design for a putter head, as shown and described.

DESCRIPTION

FIG. 1 is a rear perspective view of a first embodiment of the putter head as claimed herein;
 FIG. 2 is a rear view thereof;
 FIG. 3 is a front view thereof;
 FIG. 4 is a right side view thereof;
 FIG. 5 is a left side view thereof;
 FIG. 6 is a top plan view thereof;
 FIG. 7 is a bottom plan view thereof;
 FIG. 8 is a rear perspective view of a second embodiment of the putter head as claimed herein;
 FIG. 9 is a rear view thereof;
 FIG. 10 is a front view thereof;
 FIG. 11 is a right side view thereof;
 FIG. 12 is a left side view thereof;
 FIG. 13 is a top plan view thereof and,
 FIG. 14 is a bottom plan view thereof.

The broken line showing is included for the purpose of illustrating and forms no part of the claimed design.

1 Claim, 8 Drawing Sheets



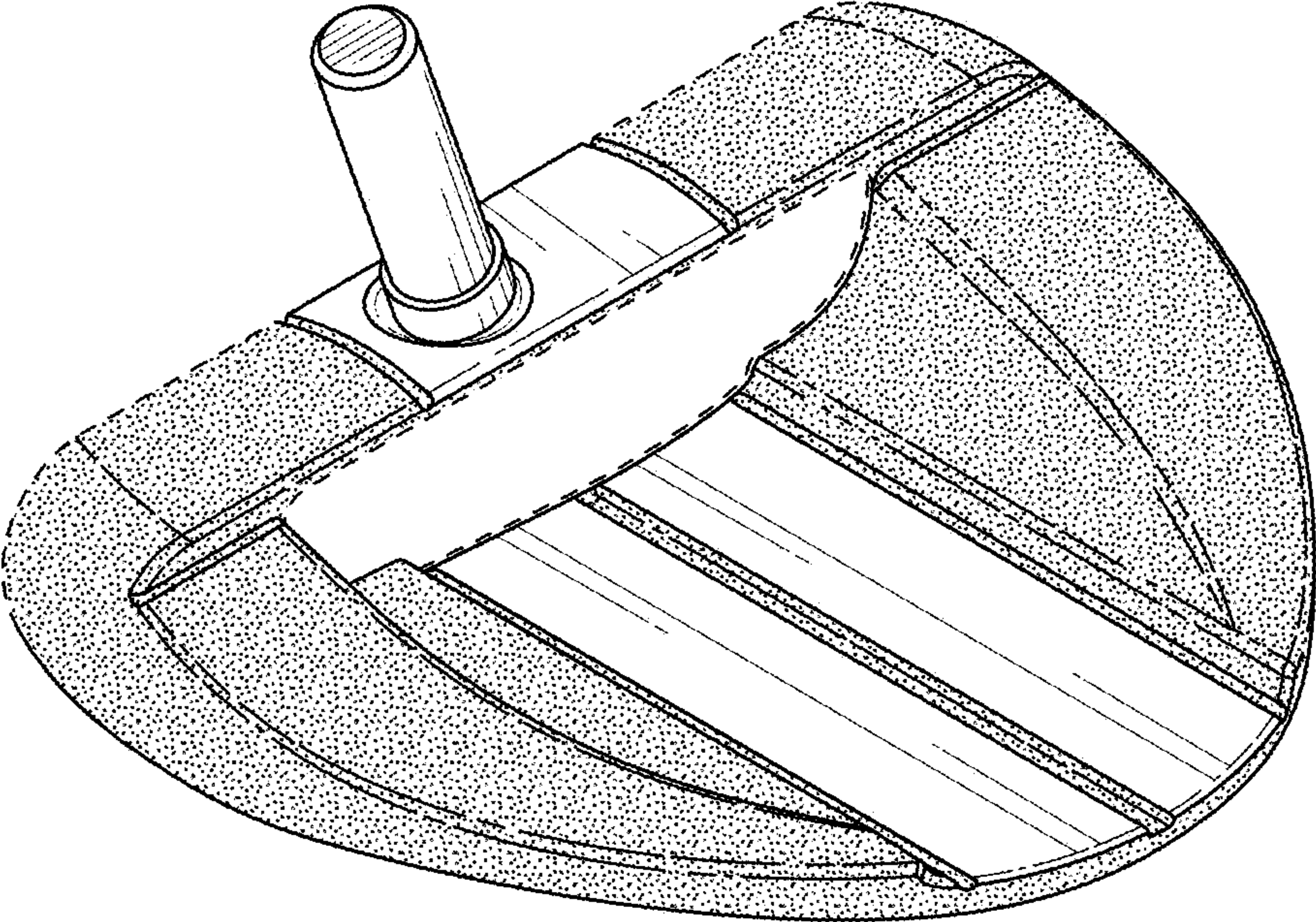


FIG. 1

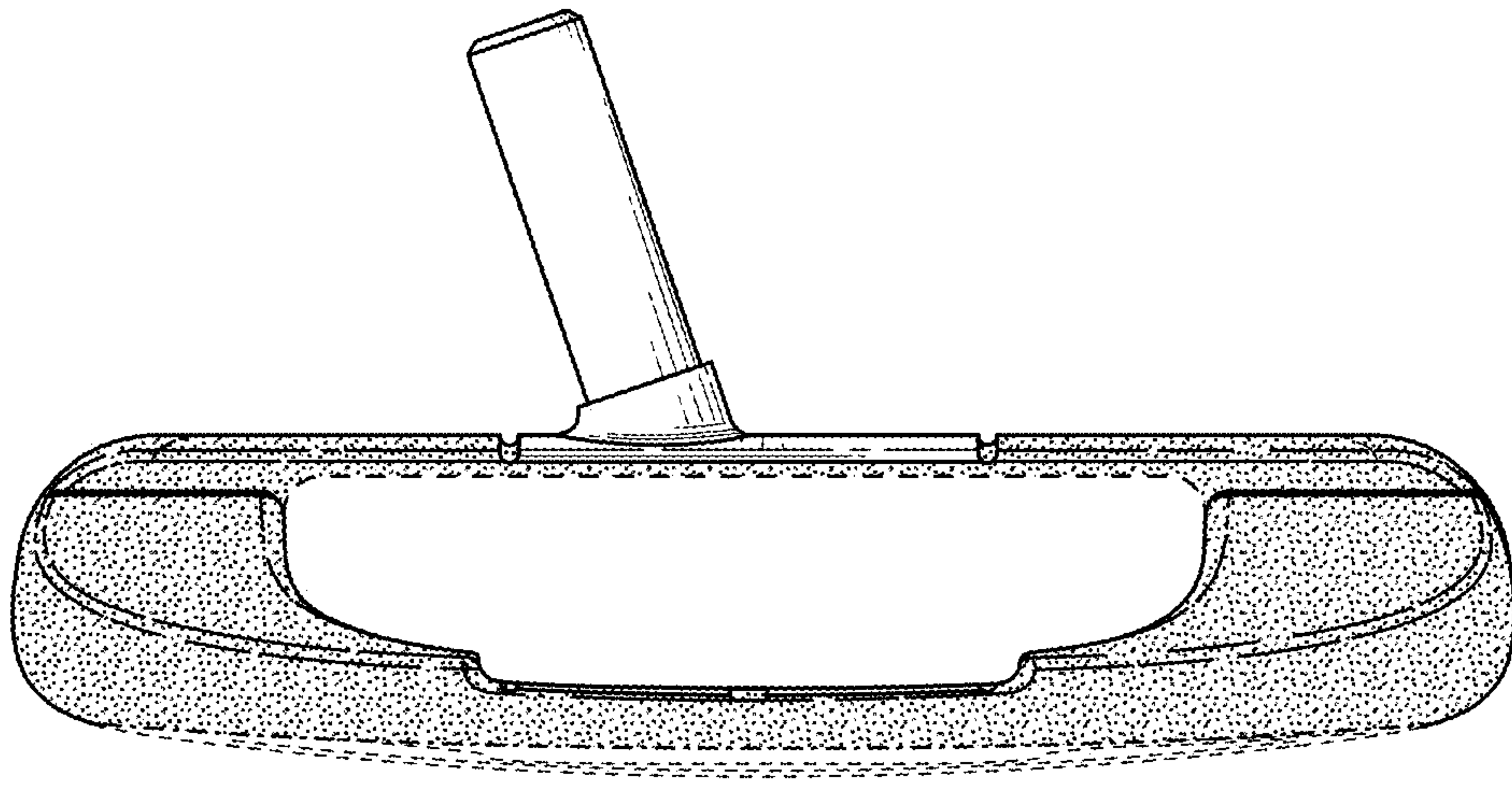


FIG. 2

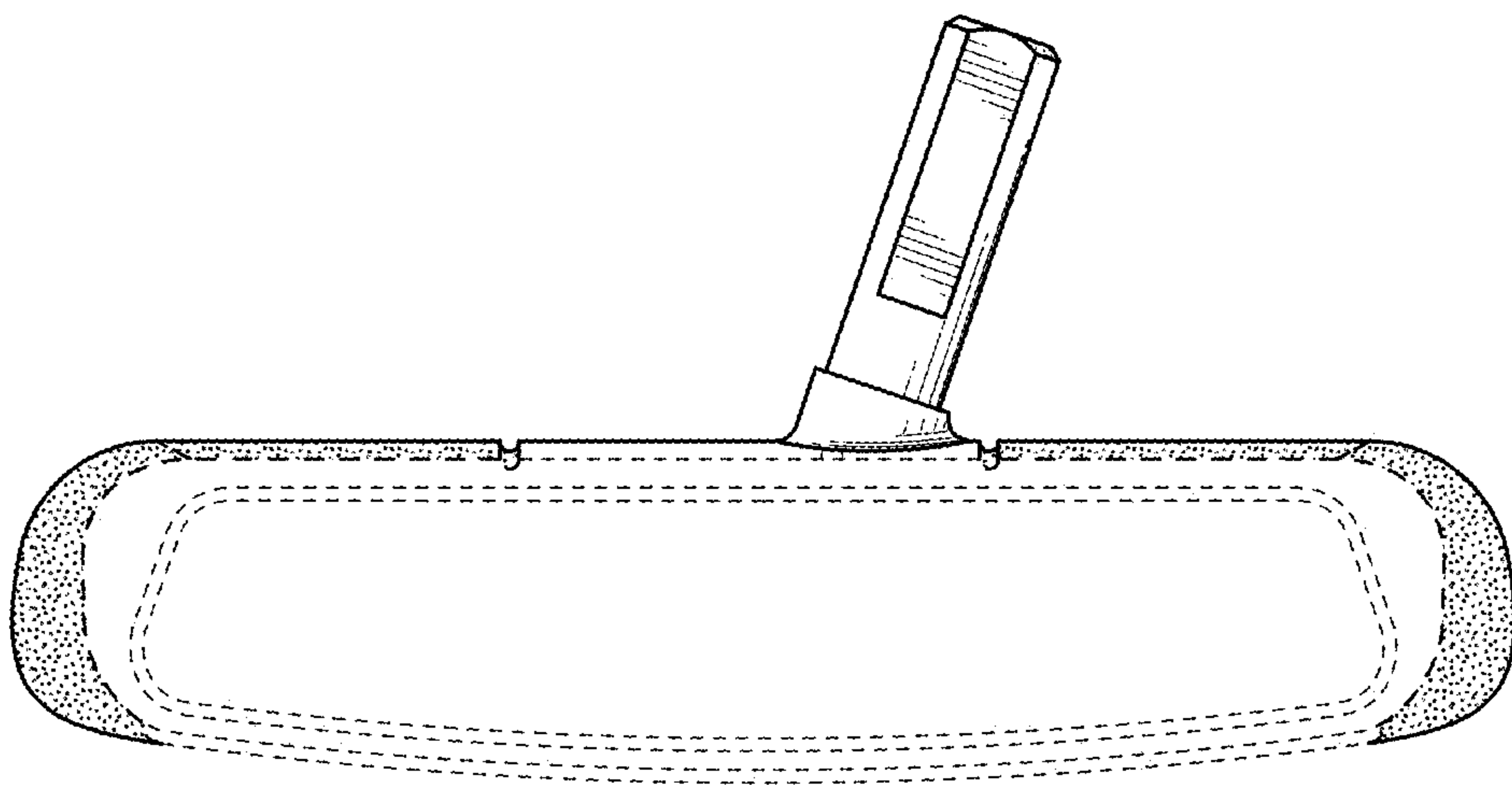


FIG. 3

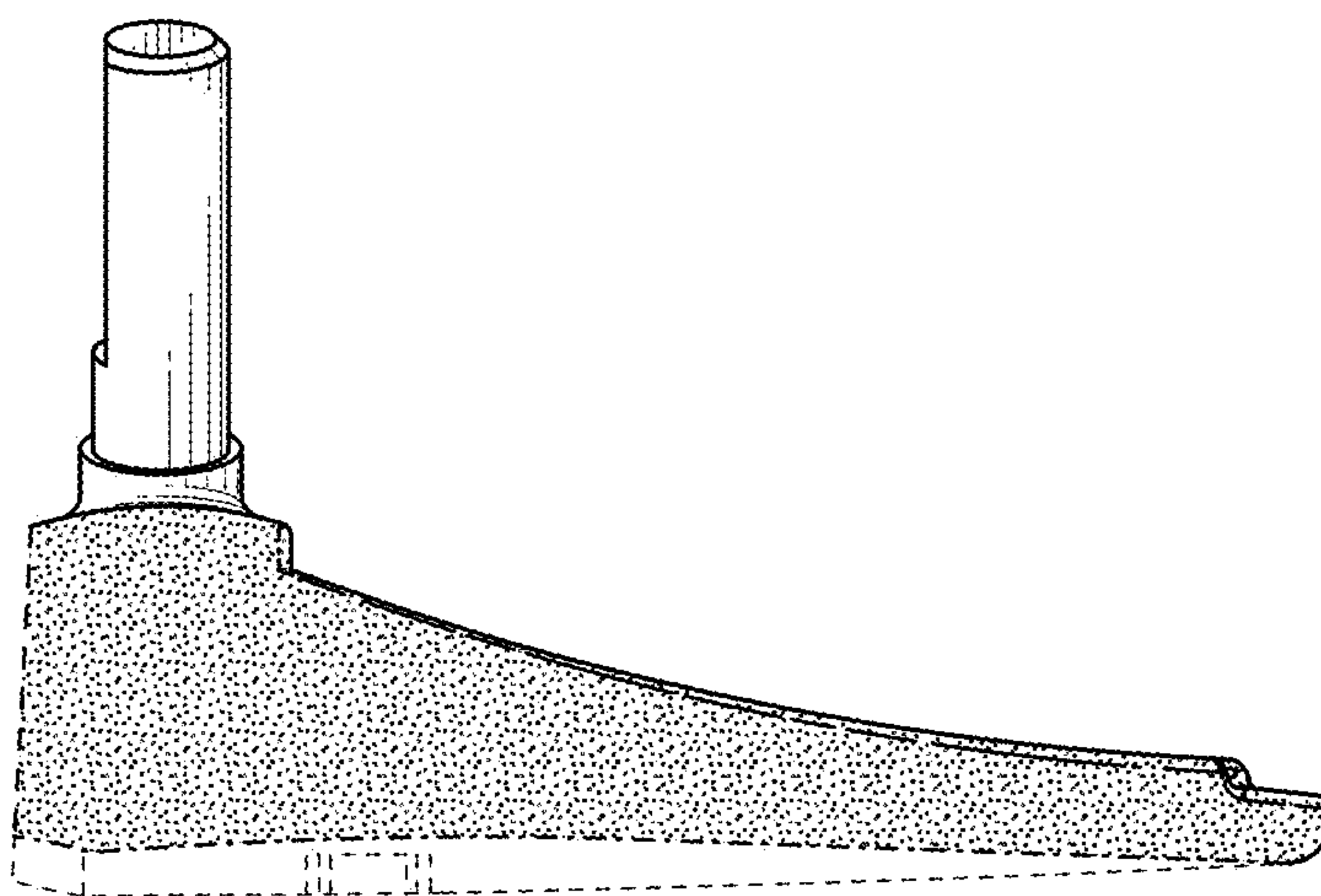


FIG. 4

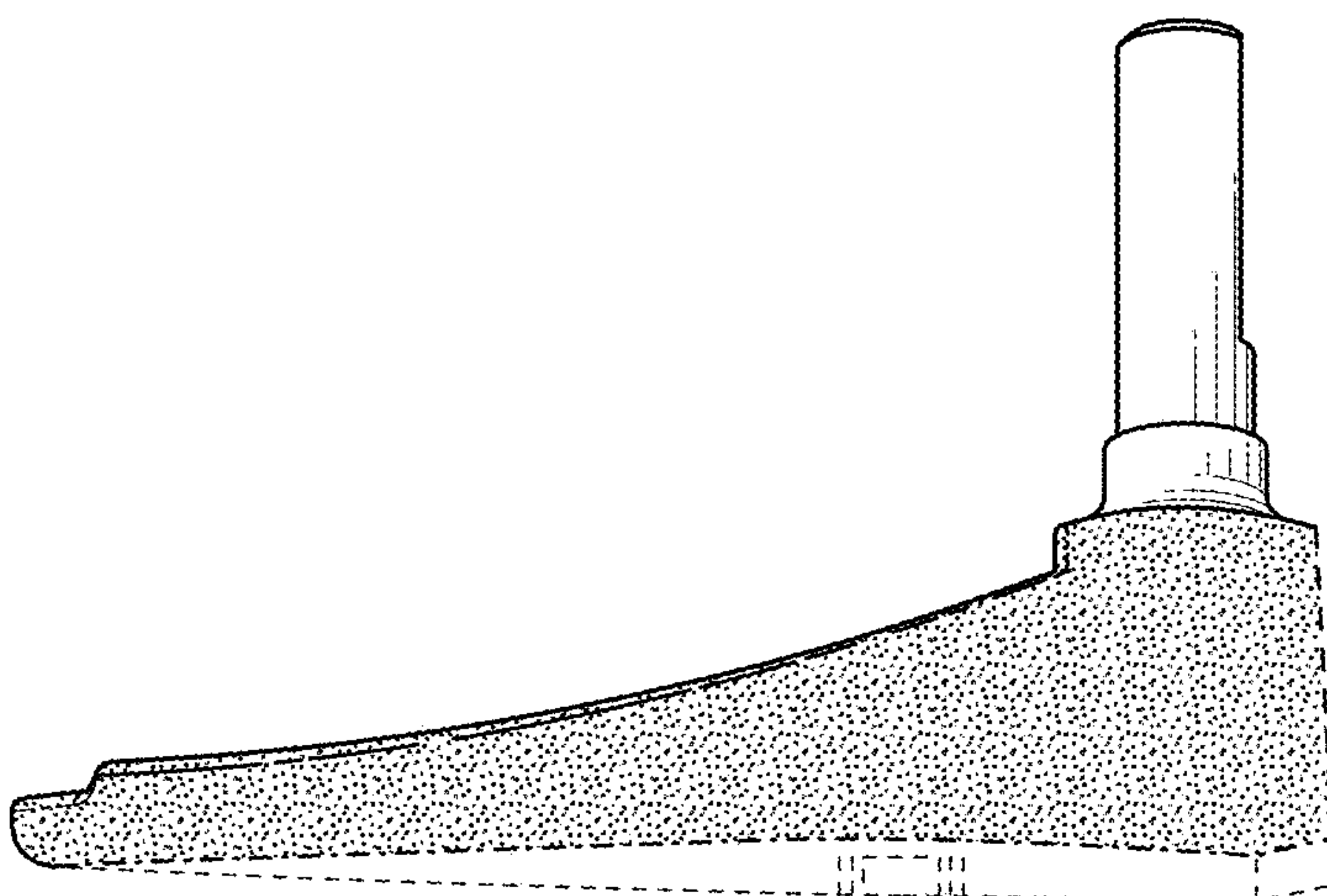


FIG. 5

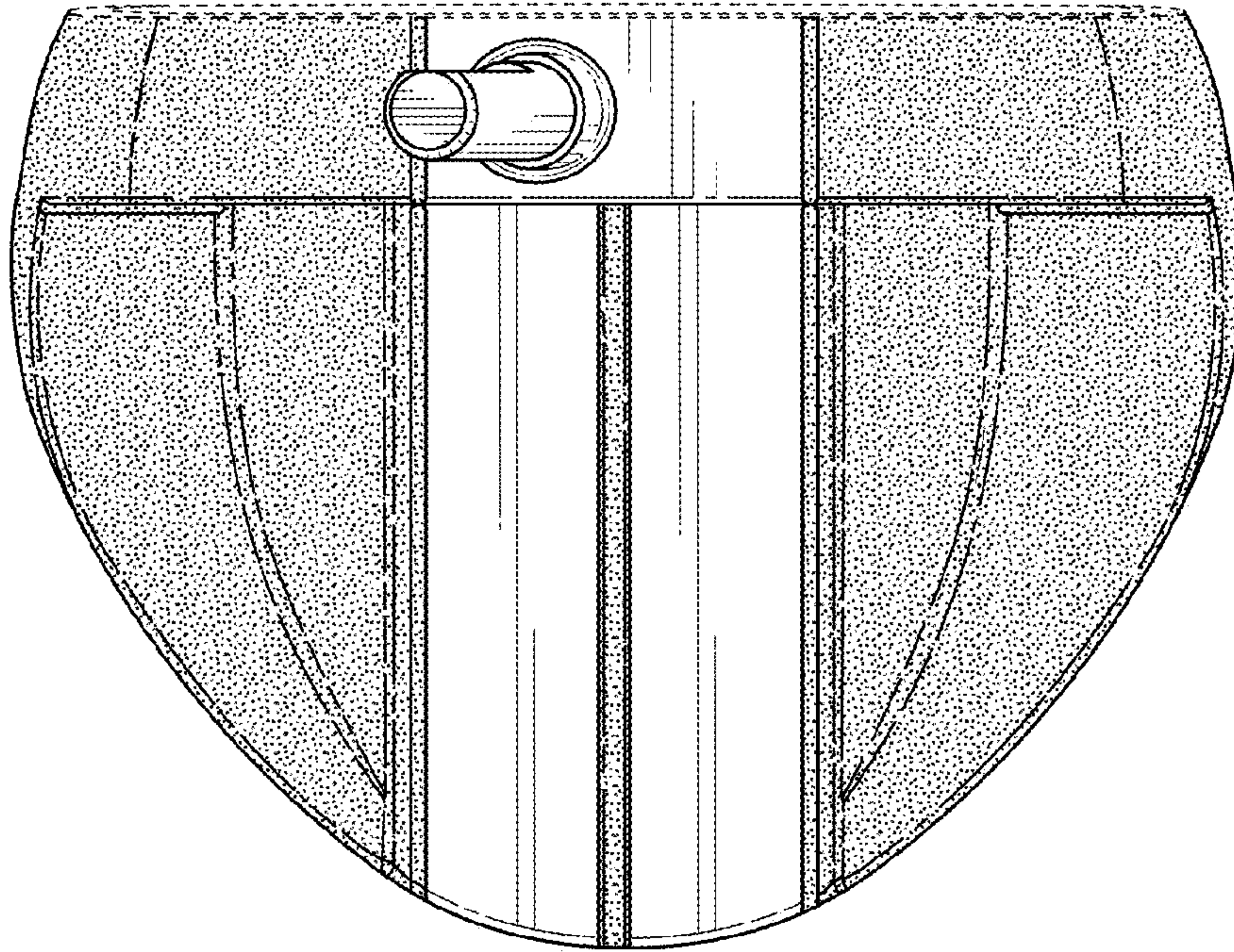


FIG. 6

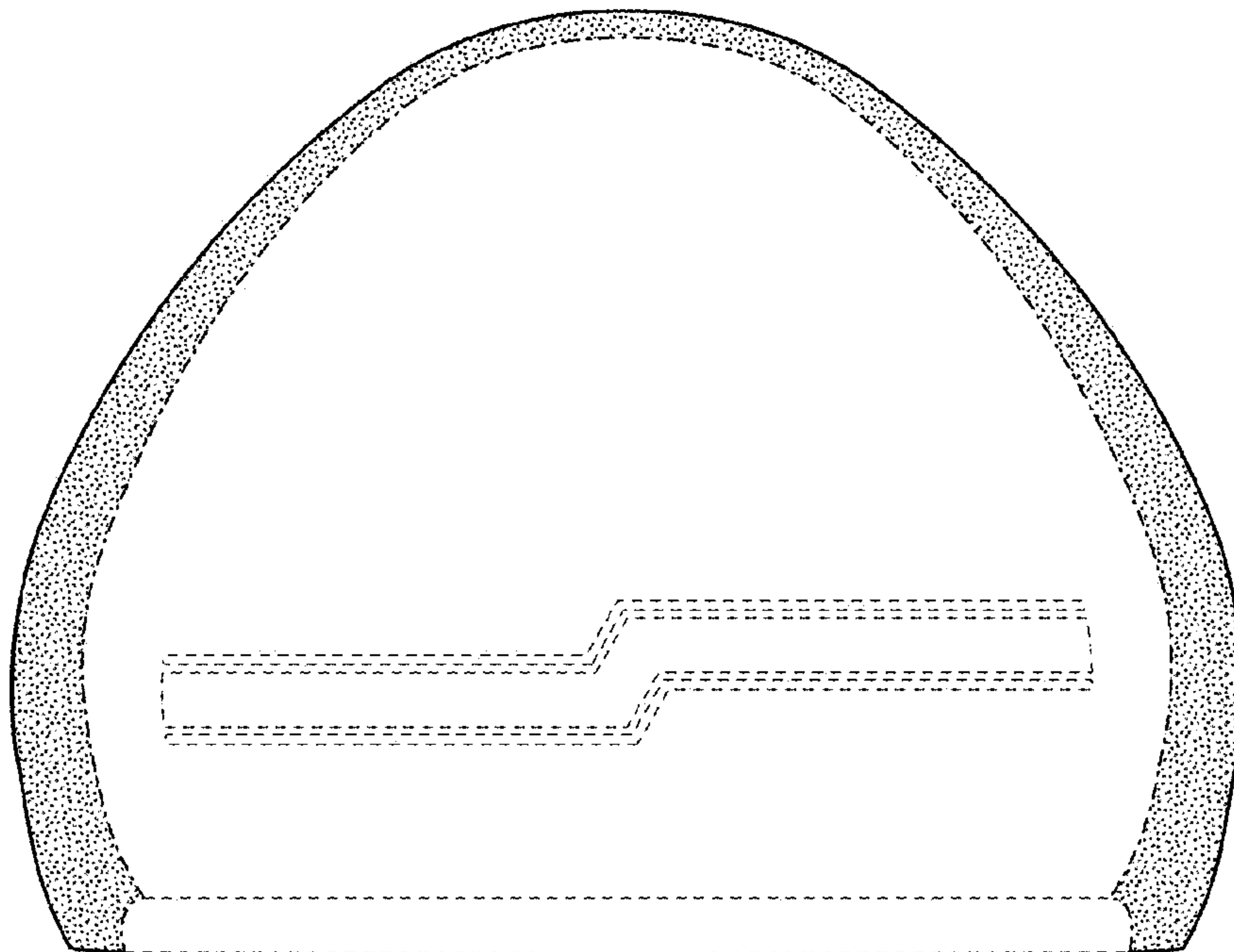


FIG. 7

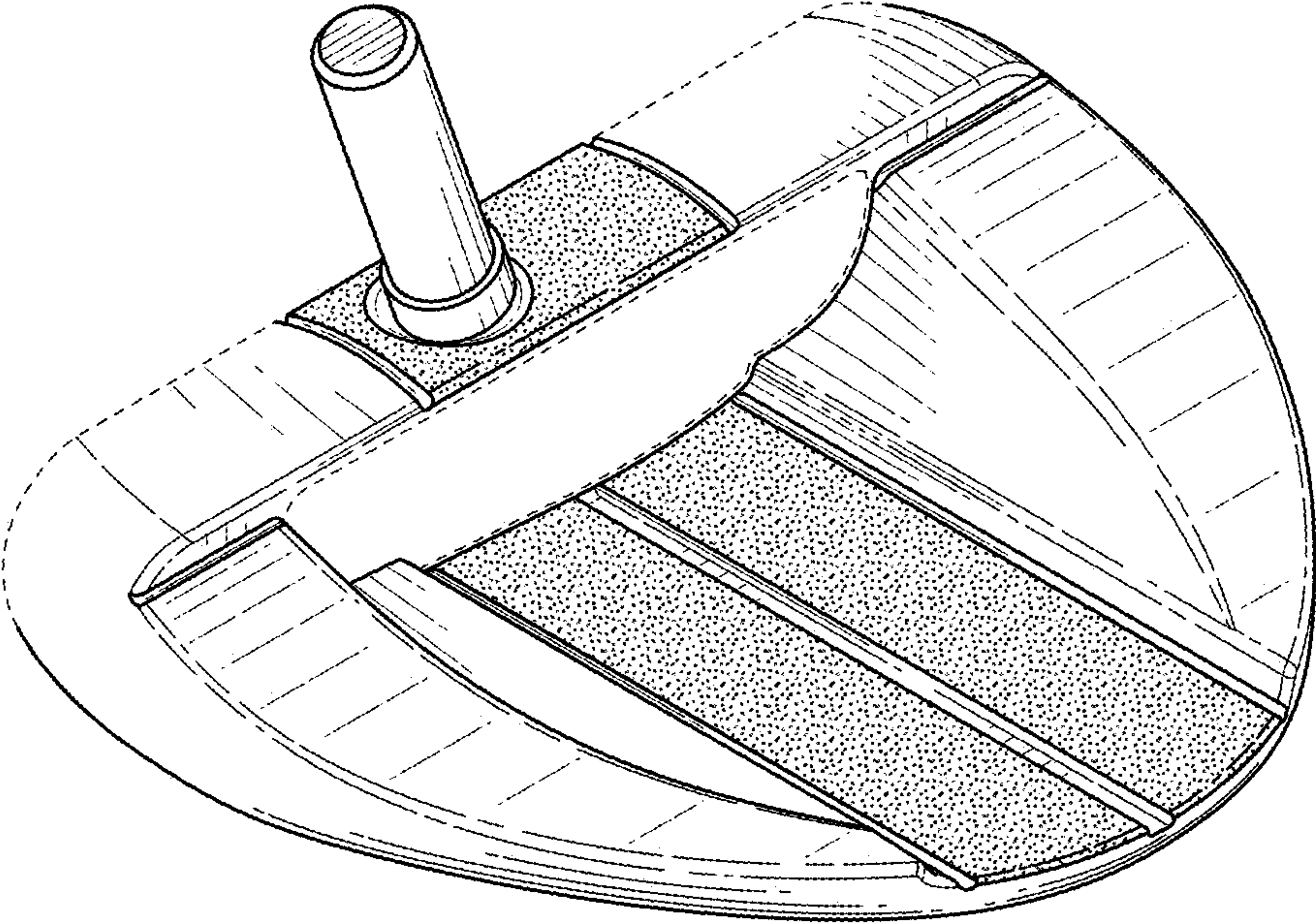


FIG. 8

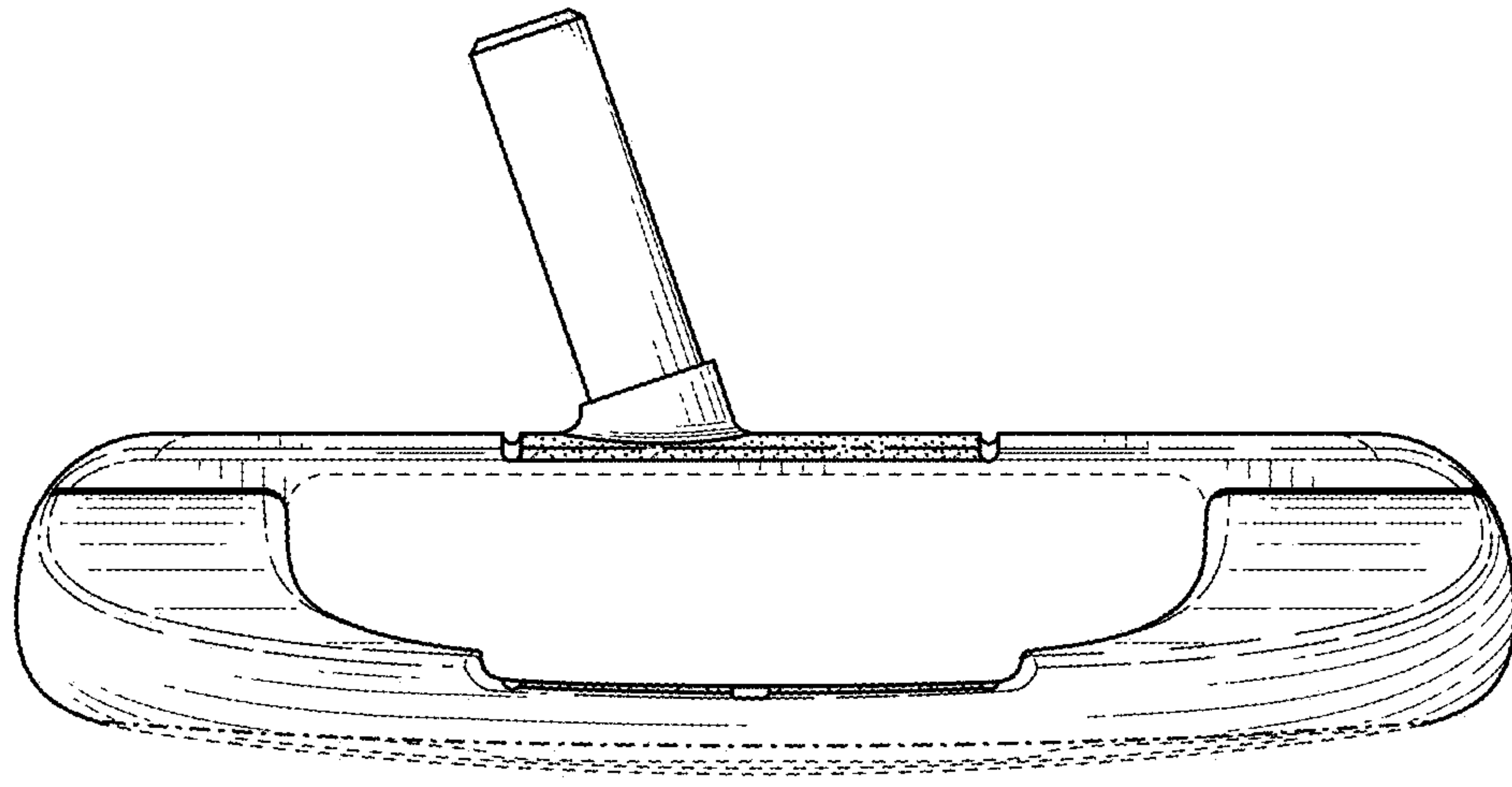


FIG. 9

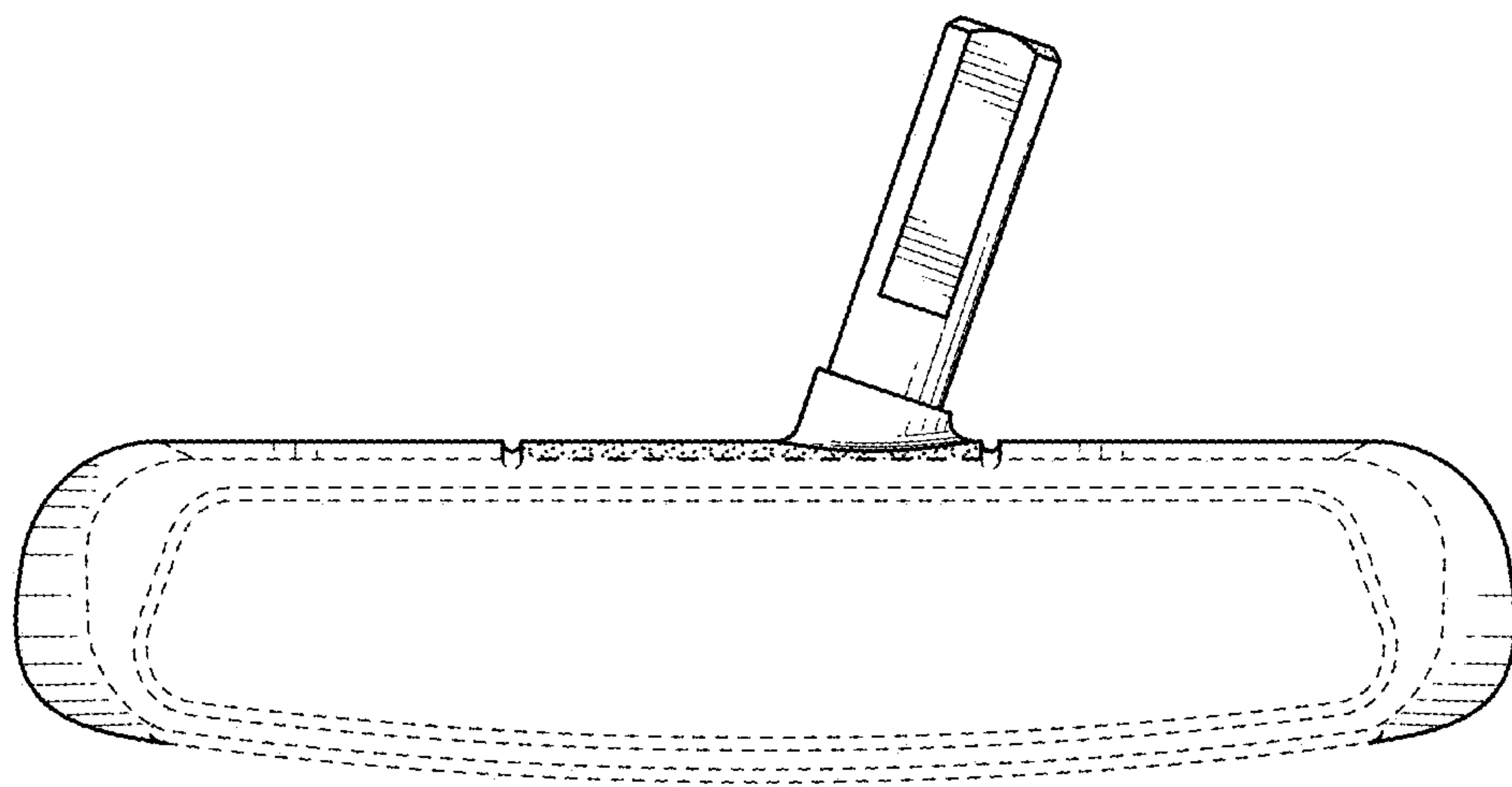


FIG. 10

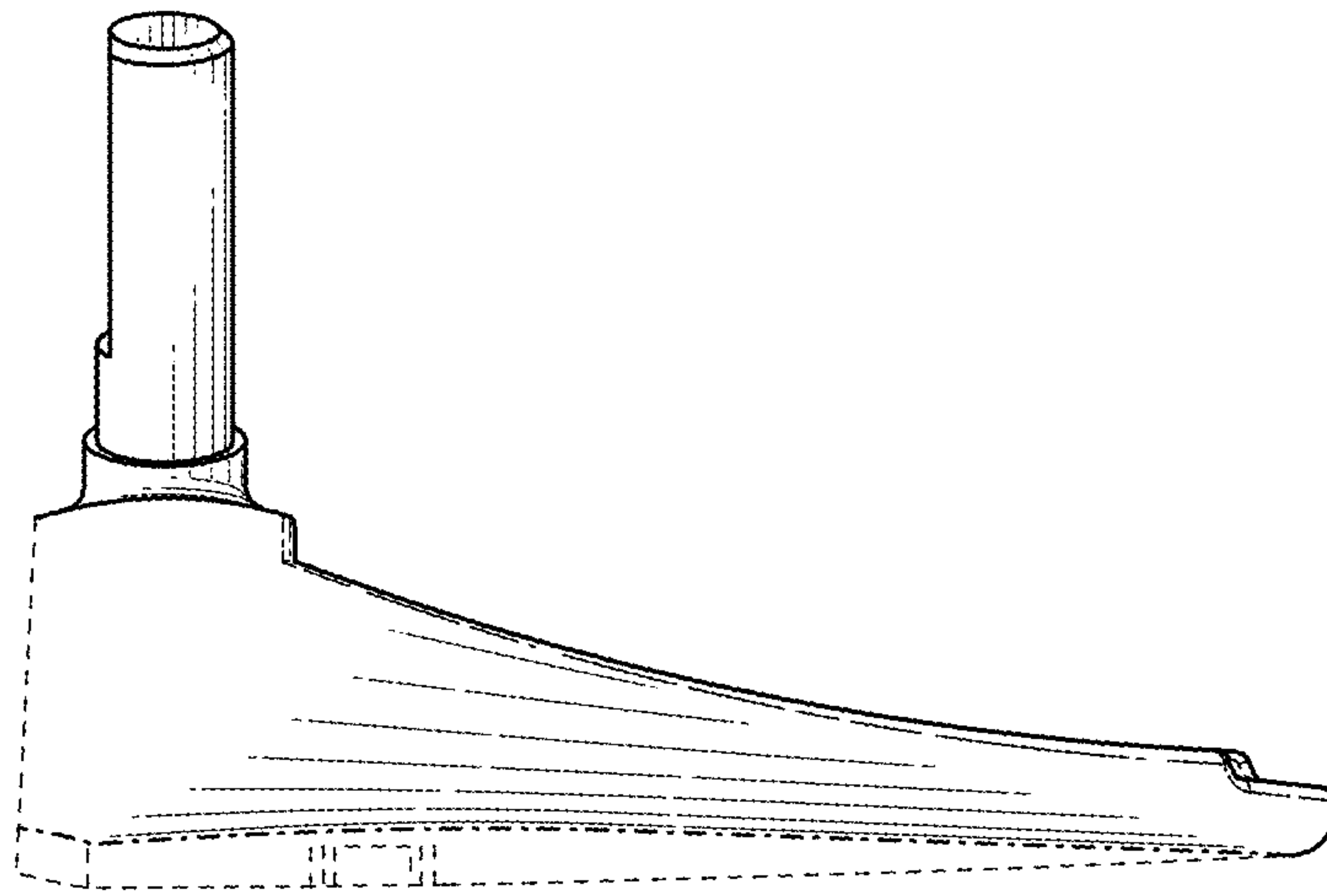


FIG. 11

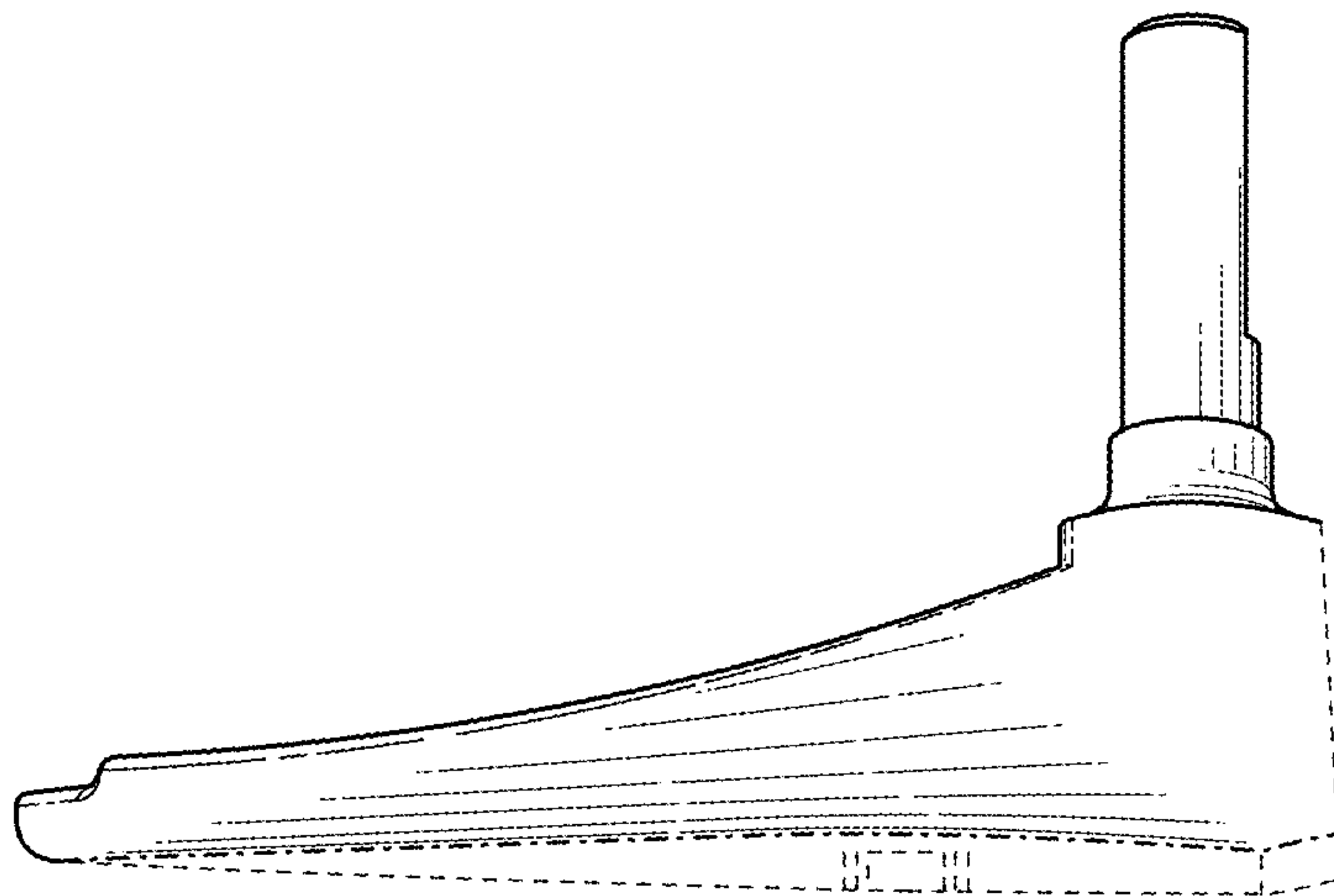


FIG. 12

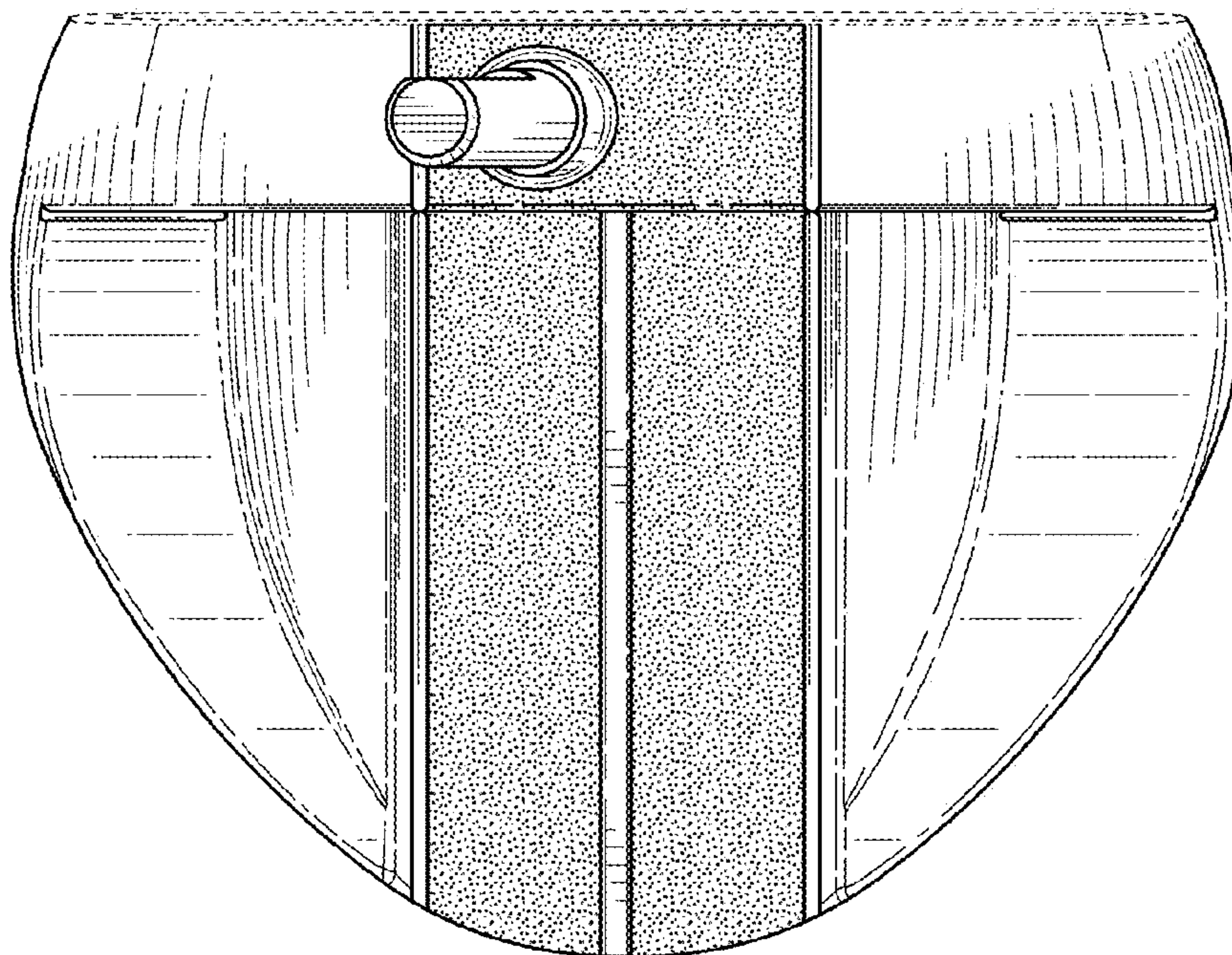


FIG. 13

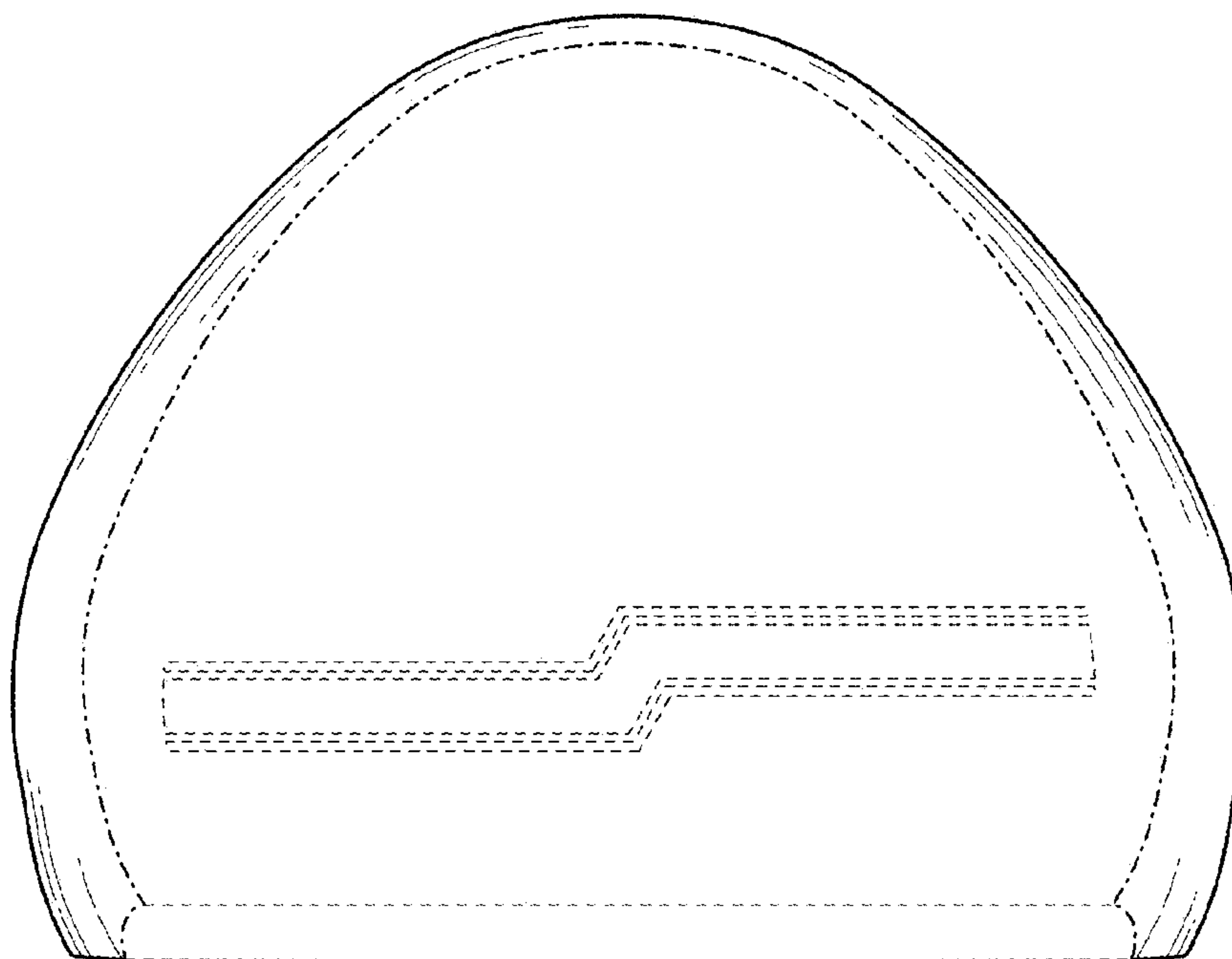


FIG. 14