



US00D720410S

(12) **United States Design Patent**
Brandt

(10) **Patent No.:** **US D720,410 S**

(45) **Date of Patent:** **** Dec. 30, 2014**

(54) **GOLF PUTTER HEAD**

(71) Applicant: **Richard Brandt**, Miami Beach, FL (US)

(72) Inventor: **Richard Brandt**, Miami Beach, FL (US)

(**) Term: **14 Years**

(21) Appl. No.: **29/469,866**

(22) Filed: **Oct. 15, 2013**

(51) **LOC (10) Cl.** **21-02**

(52) **U.S. Cl.**
USPC **D21/736**

(58) **Field of Classification Search**
USPC D21/736-746; 473/324-331, 251-256,
473/340-341
See application file for complete search history.

(56) **References Cited**

U.S. PATENT DOCUMENTS

| | | | | | |
|------------|---|---------|------------------|-------|---------|
| D497,401 S | * | 10/2004 | Zimmerman | | D21/736 |
| D529,109 S | * | 9/2006 | Jones | | D21/743 |
| D595,370 S | * | 6/2009 | Ines et al. | | D21/736 |
| D600,295 S | * | 9/2009 | Meeks | | D21/744 |
| D606,139 S | * | 12/2009 | Ines et al. | | D21/736 |
| D607,952 S | * | 1/2010 | Demkowski et al. | | D21/743 |

| | | | | | |
|--------------|---|---------|------------------|-------|---------|
| D627,840 S | * | 11/2010 | Cameron | | D21/736 |
| 8,328,654 B2 | * | 12/2012 | Demkowski et al. | | 473/248 |
| D701,928 S | * | 4/2014 | Cameron | | D21/736 |

* cited by examiner

Primary Examiner — Mitchell Siegel

(74) *Attorney, Agent, or Firm* — Robert D. Katz, Esq.;
Eaton & Van Winkle LLP

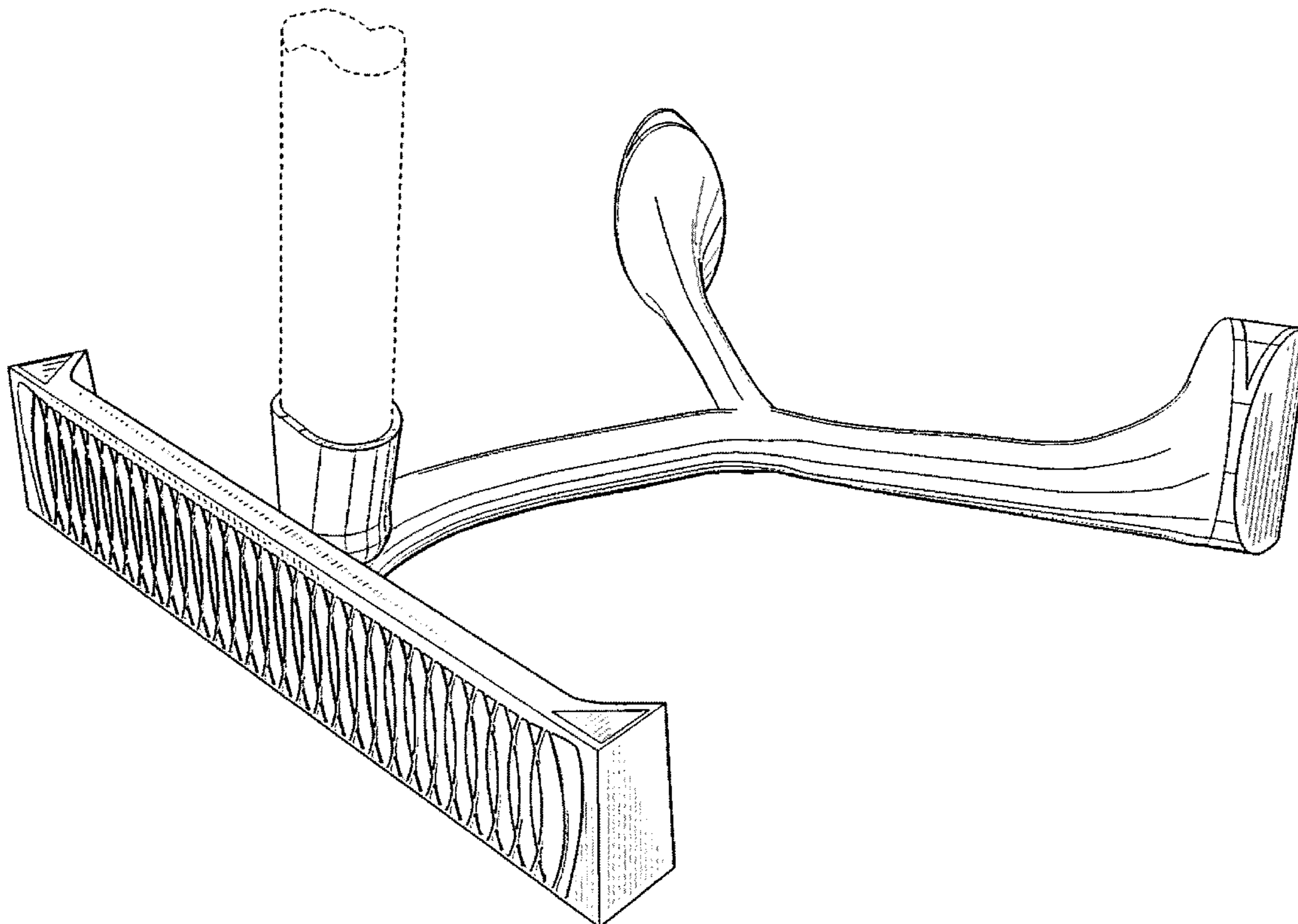
(57) **CLAIM**

An ornamental design for a golf putter head, as shown and described.

DESCRIPTION

FIG. 1 is a perspective view of a golf putter head embodying the ornamental design of my invention;
FIG. 2 is a front view of the ornamental design of FIG. 1;
FIG. 3 is a rear view of the ornamental design of FIG. 1;
FIG. 4 is a side view of a first side of the ornamental design of FIG. 1;
FIG. 5 is a side view of a second side of the ornamental design of FIG. 1;
FIG. 6 is a top view of the ornamental design of FIG. 1; and,
FIG. 7 is a bottom view of the ornamental design of FIG. 1.
The broken line showing is included for the purpose of illustrating and forms no part of the claimed design.

1 Claim, 5 Drawing Sheets



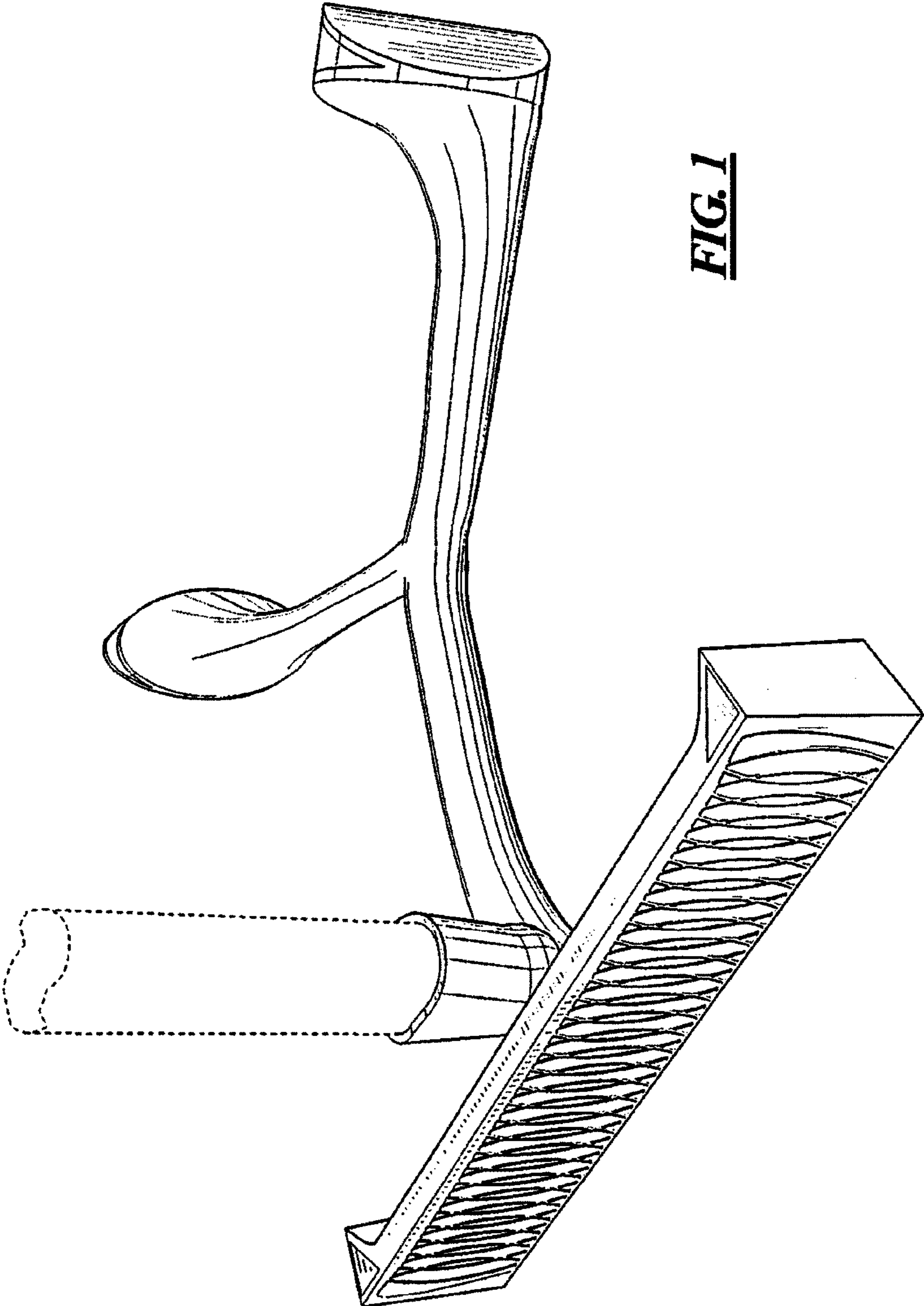


FIG. 1

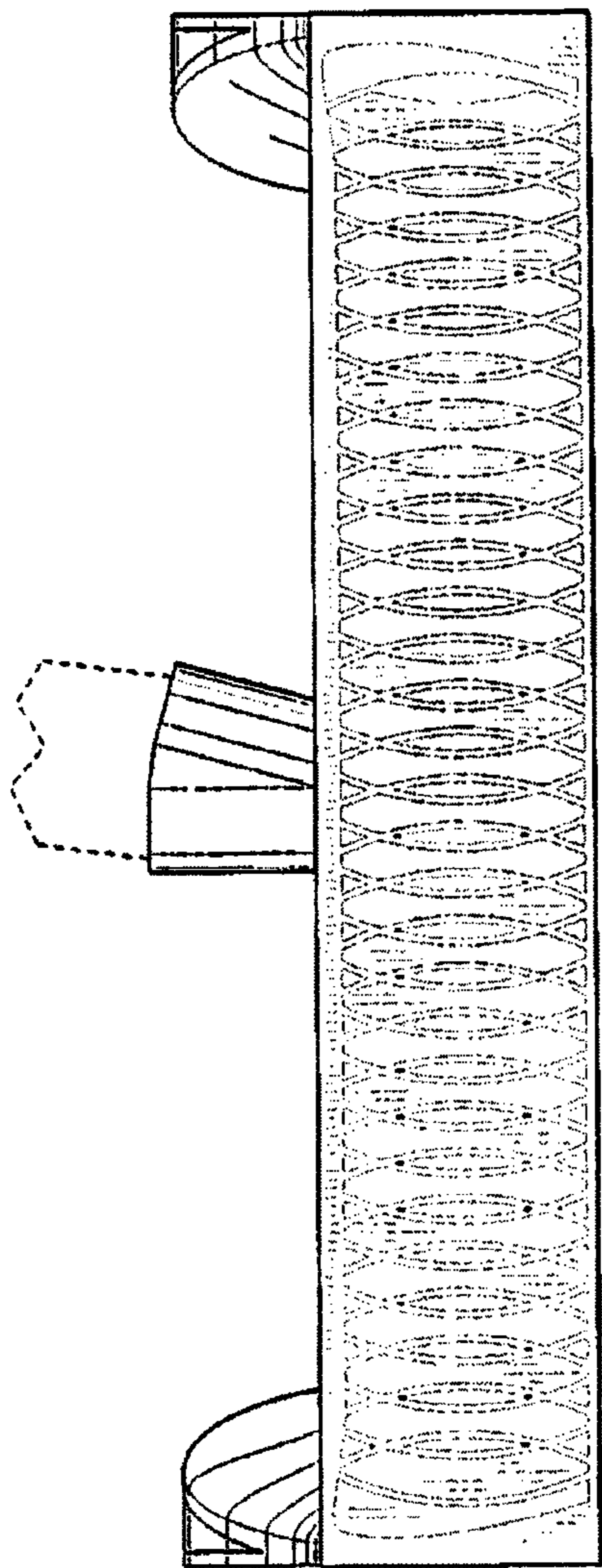


FIG. 2

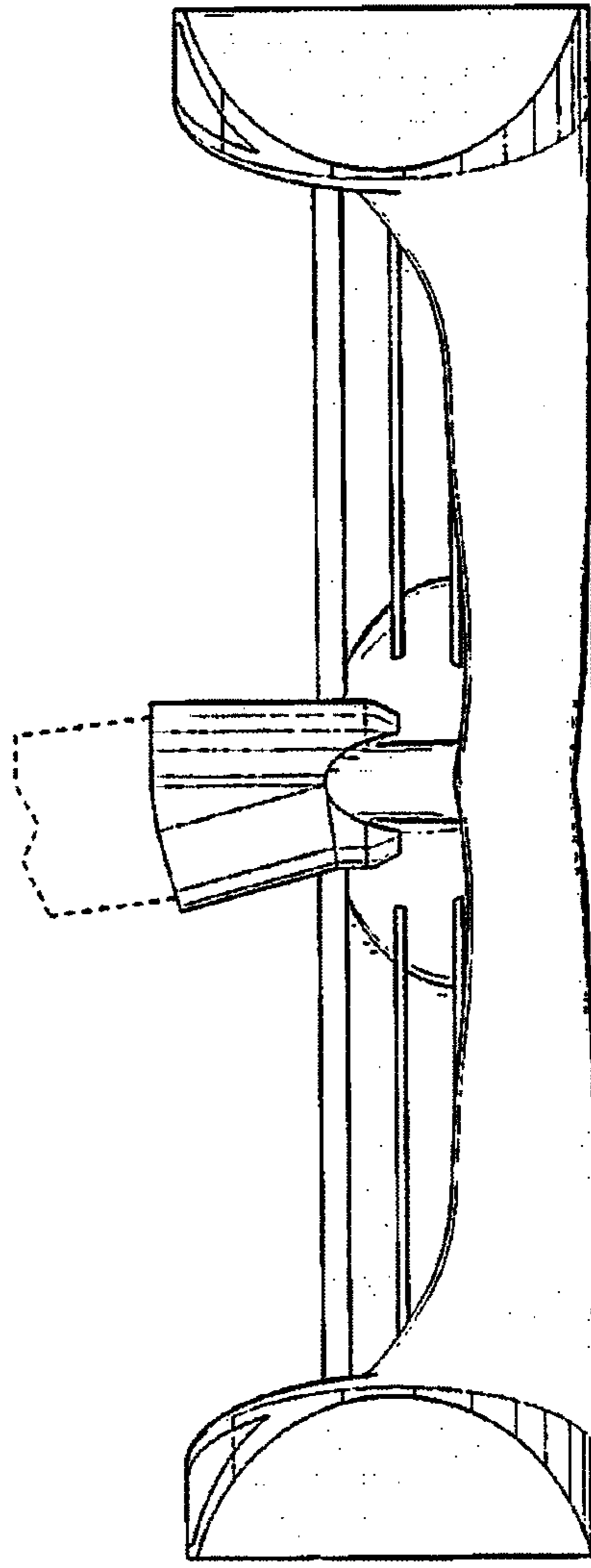


FIG. 3

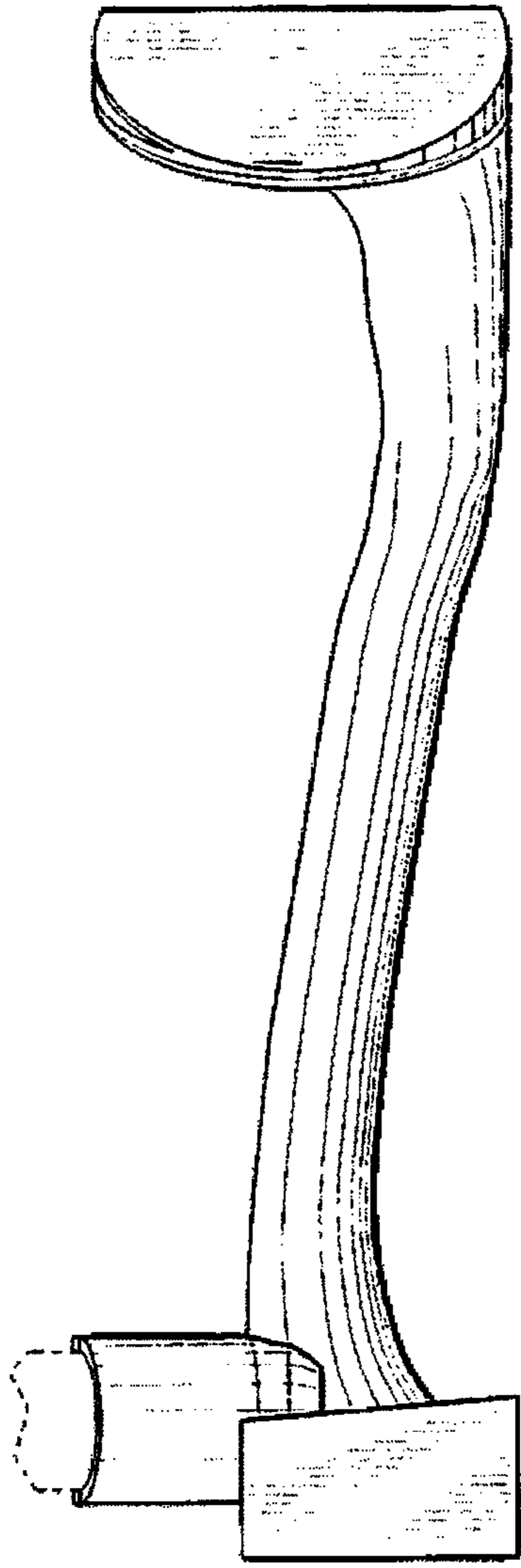


FIG. 4

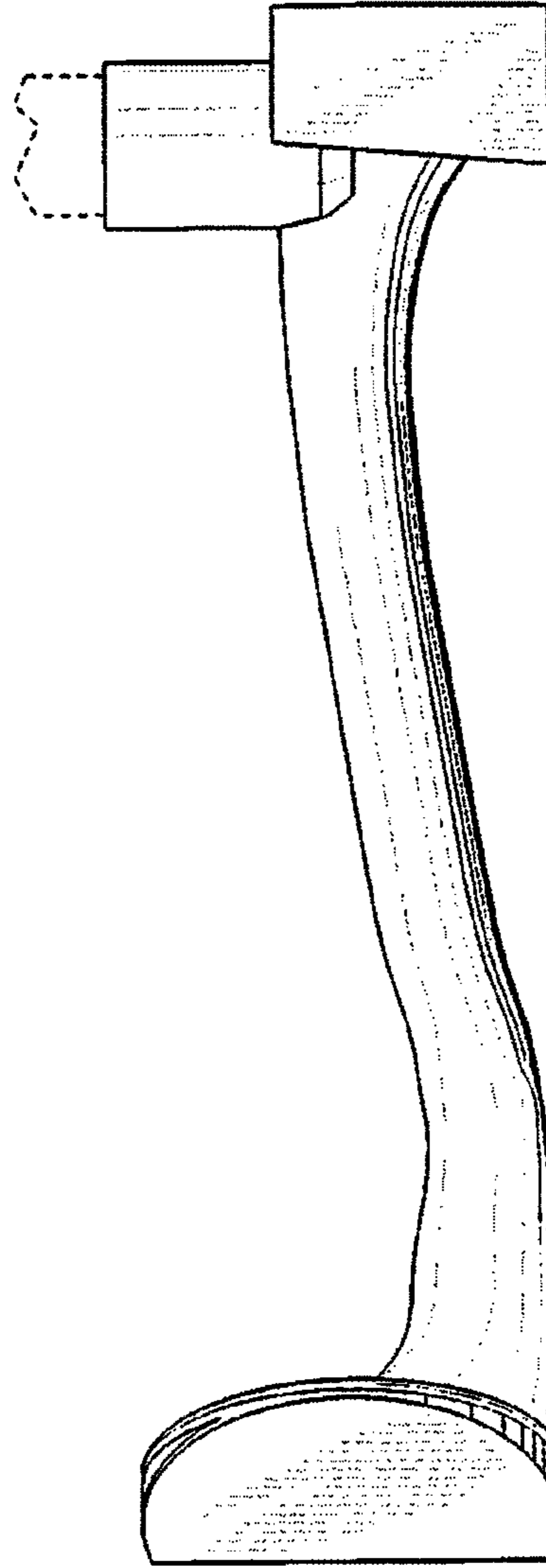


FIG. 5

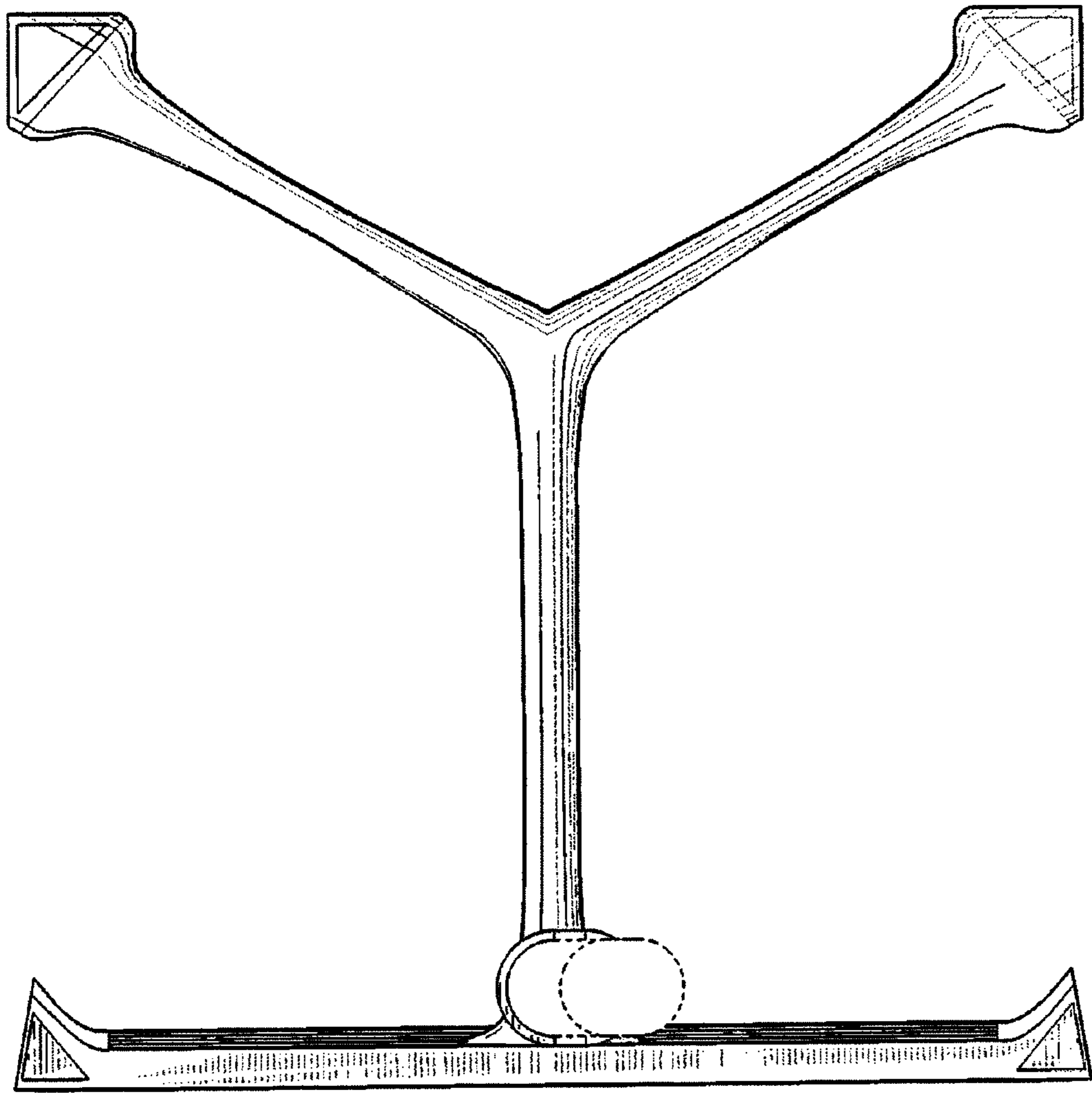


FIG. 6

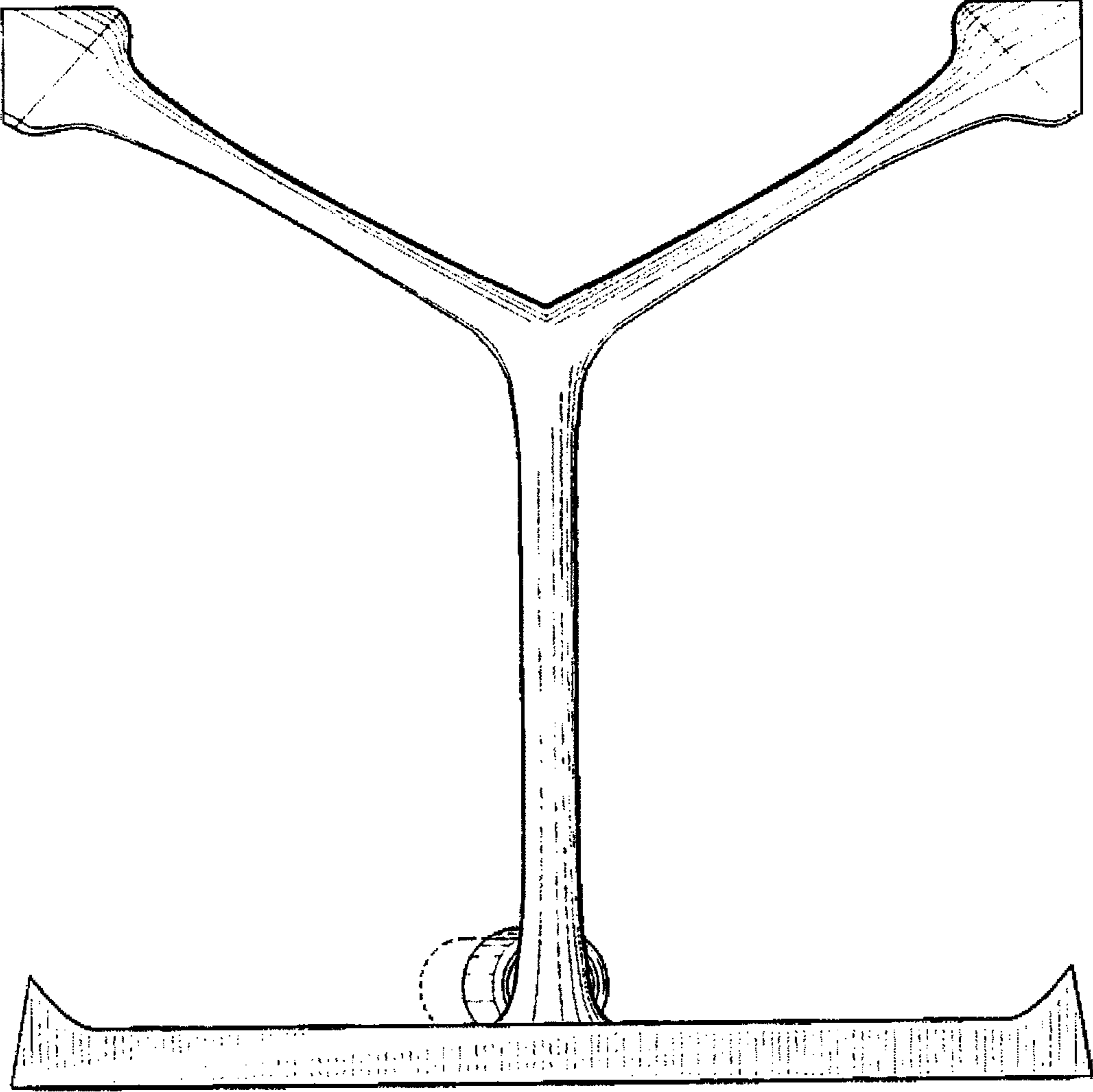


FIG. 7