



US00D720408S

(12) **United States Design Patent**
Webb

(10) **Patent No.:** **US D720,408 S**

(45) **Date of Patent:** **** Dec. 30, 2014**

(54) **TOY BUILDING BLOCK**

(71) Applicant: **Nicholas J. Webb**, Redding, CA (US)

(72) Inventor: **Nicholas J. Webb**, Redding, CA (US)

(**) Term: **14 Years**

(21) Appl. No.: **29/481,469**

(22) Filed: **Feb. 6, 2014**

(51) **LOC (10) Cl.** **21-01**

(52) **U.S. Cl.**
USPC **D21/484; D21/505**

(58) **Field of Classification Search**

CPC A63H 33/00; A63H 33/04; A63H 33/06;
A63H 33/08; A63H 33/10; A63H 33/12;
A63H 33/14; A63F 9/08; A63F 9/12; G09B
1/36
USPC D21/484-505; 446/69, 85, 102-128;
434/208, 259, 403; 273/153, 156, 160;
428/174

See application file for complete search history.

(56) **References Cited**

U.S. PATENT DOCUMENTS

5,049,105 A * 9/1991 Glickman 446/126
5,322,466 A * 6/1994 Bolli et al. 446/121
D409,680 S * 5/1999 Krog D21/502
D409,682 S * 5/1999 Krog D21/503
D410,044 S * 5/1999 Krog D21/503
6,030,270 A * 2/2000 Krog 446/102
D434,812 S * 12/2000 Lehn Høeg D21/487

6,641,453 B1 * 11/2003 Morales et al. 446/126
D643,883 S * 8/2011 Dawes D21/488
8,568,187 B2 * 10/2013 Norman 446/85

* cited by examiner

Primary Examiner — Cynthia M Chin

(74) *Attorney, Agent, or Firm* — Harness, Dickey & Pierce, PLC

(57) **CLAIM**

The ornamental design for a toy building block, as shown and described.

DESCRIPTION

FIG. 1 is a top perspective view of a toy building block showing my new design;

FIG. 2 is a bottom perspective view of the toy building block shown in FIG. 1;

FIG. 3 is a top view of the toy building block shown in FIG. 1; FIG. 4 is a first side view of the toy building block shown in FIG. 1;

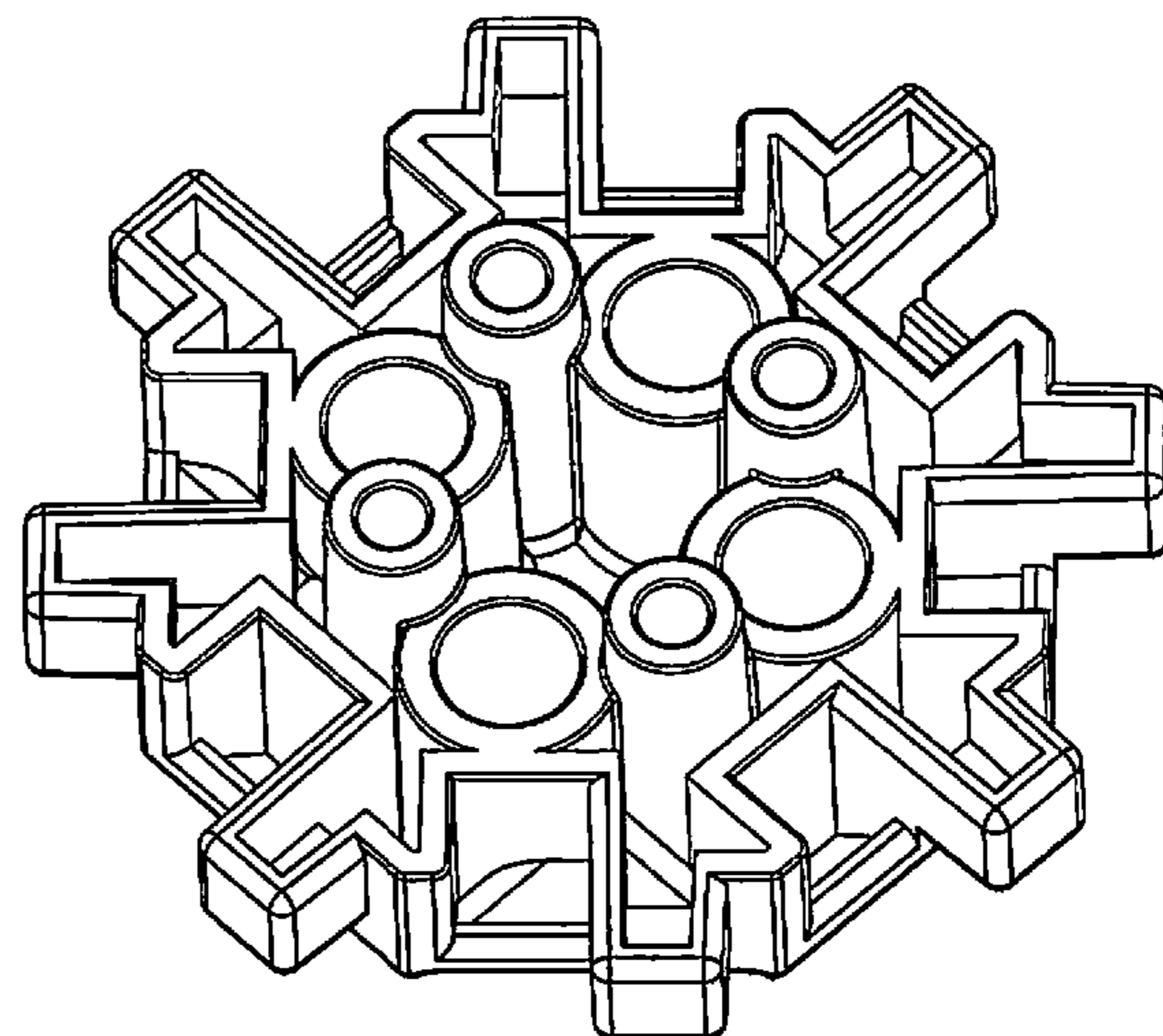
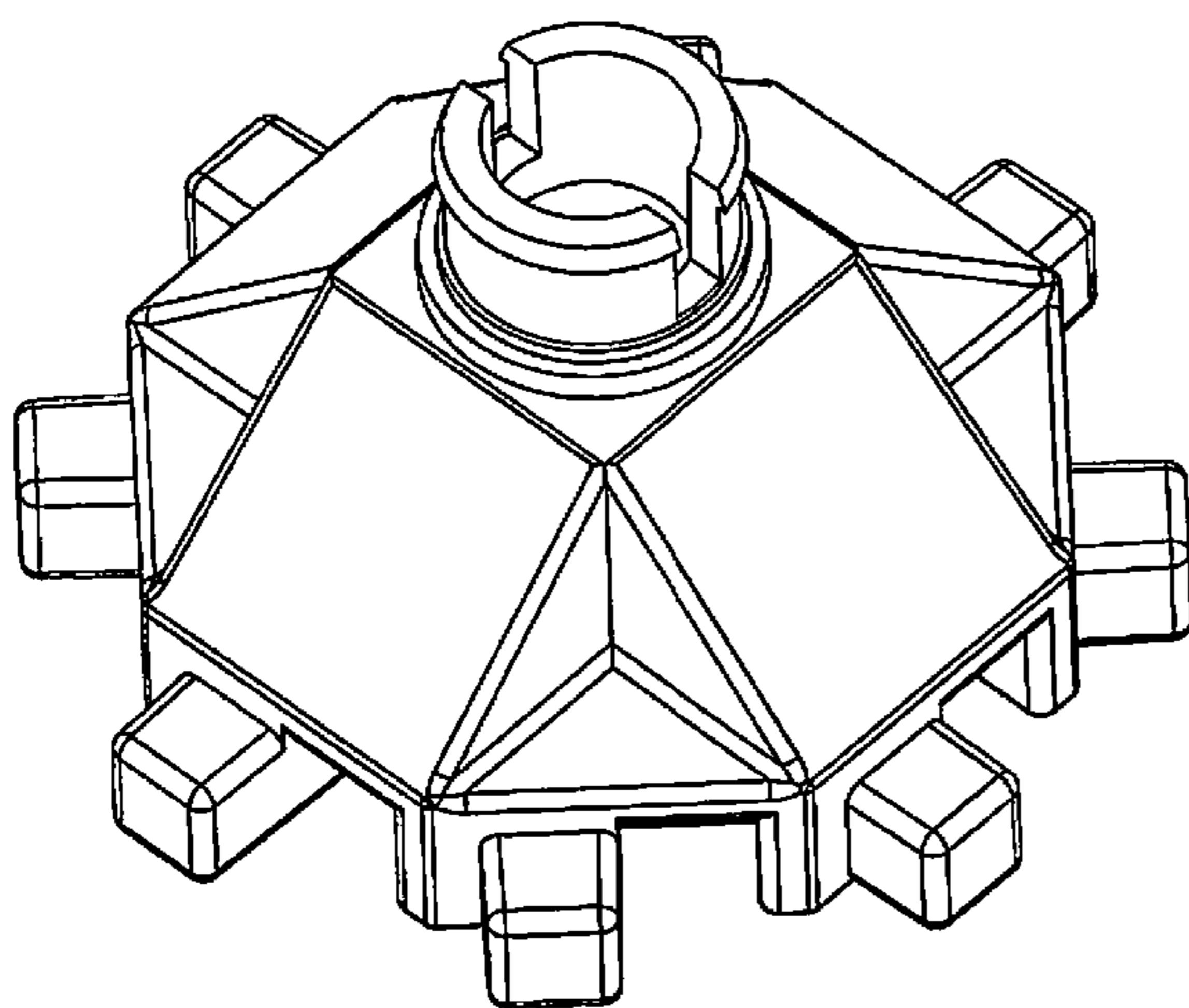
FIG. 5 is a second side view of the toy building block shown in FIG. 1;

FIG. 6 is a third side view of the toy building block shown in FIG. 1;

FIG. 7 is a fourth side view of the toy building block shown in FIG. 1; and,

FIG. 8 is a bottom view of the toy building block shown in FIG. 1.

1 Claim, 3 Drawing Sheets



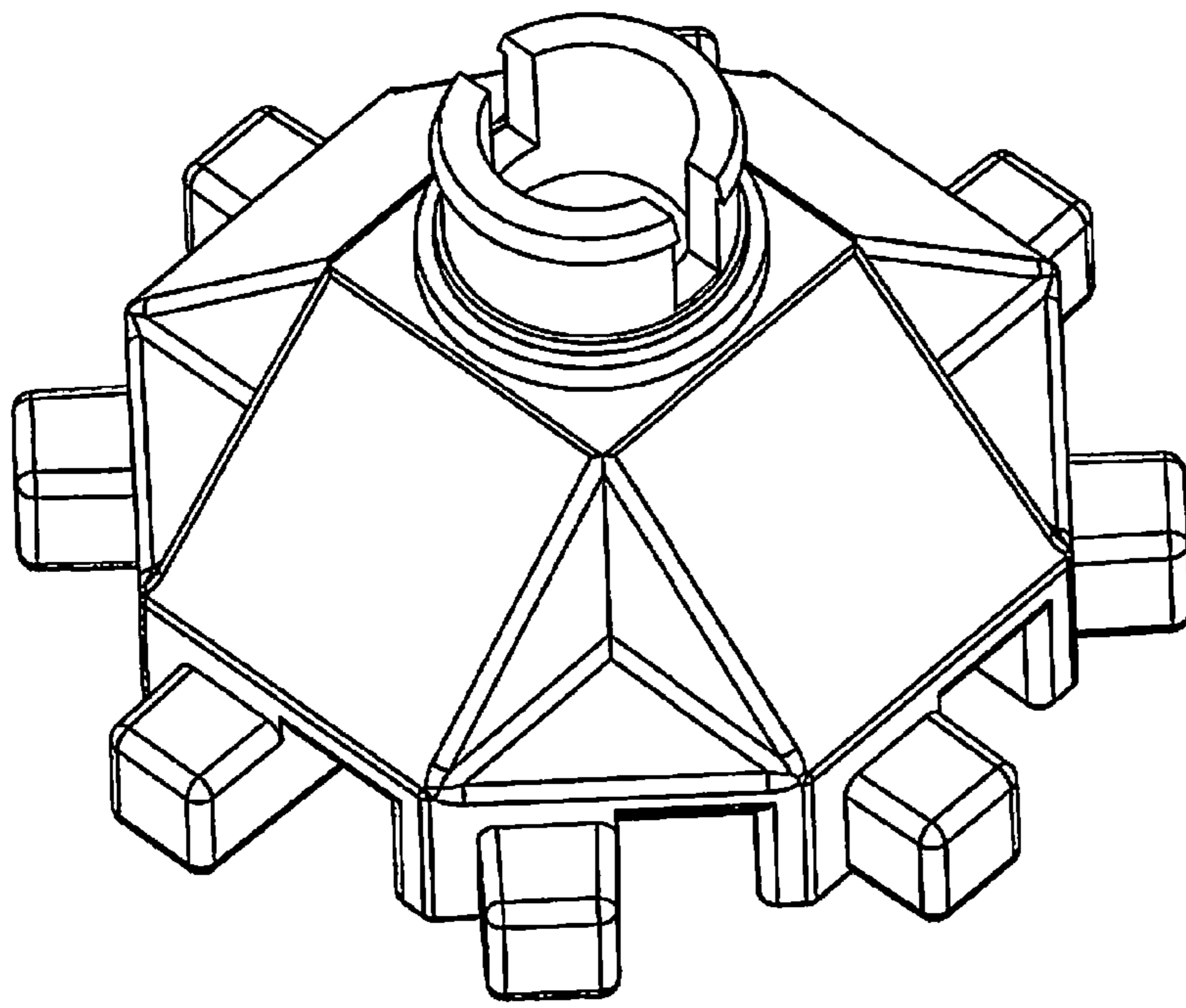


FIG - 1

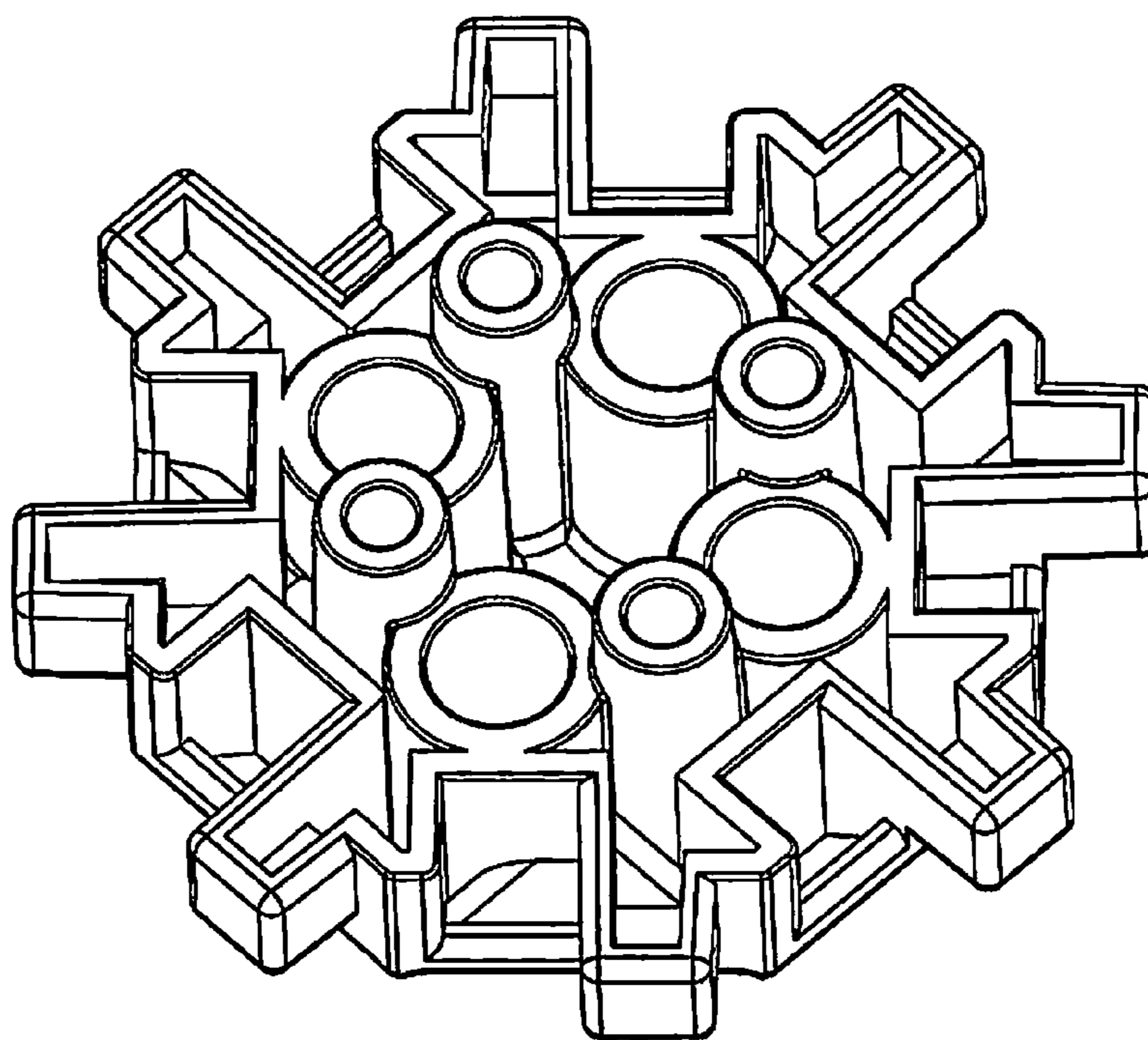


FIG - 2

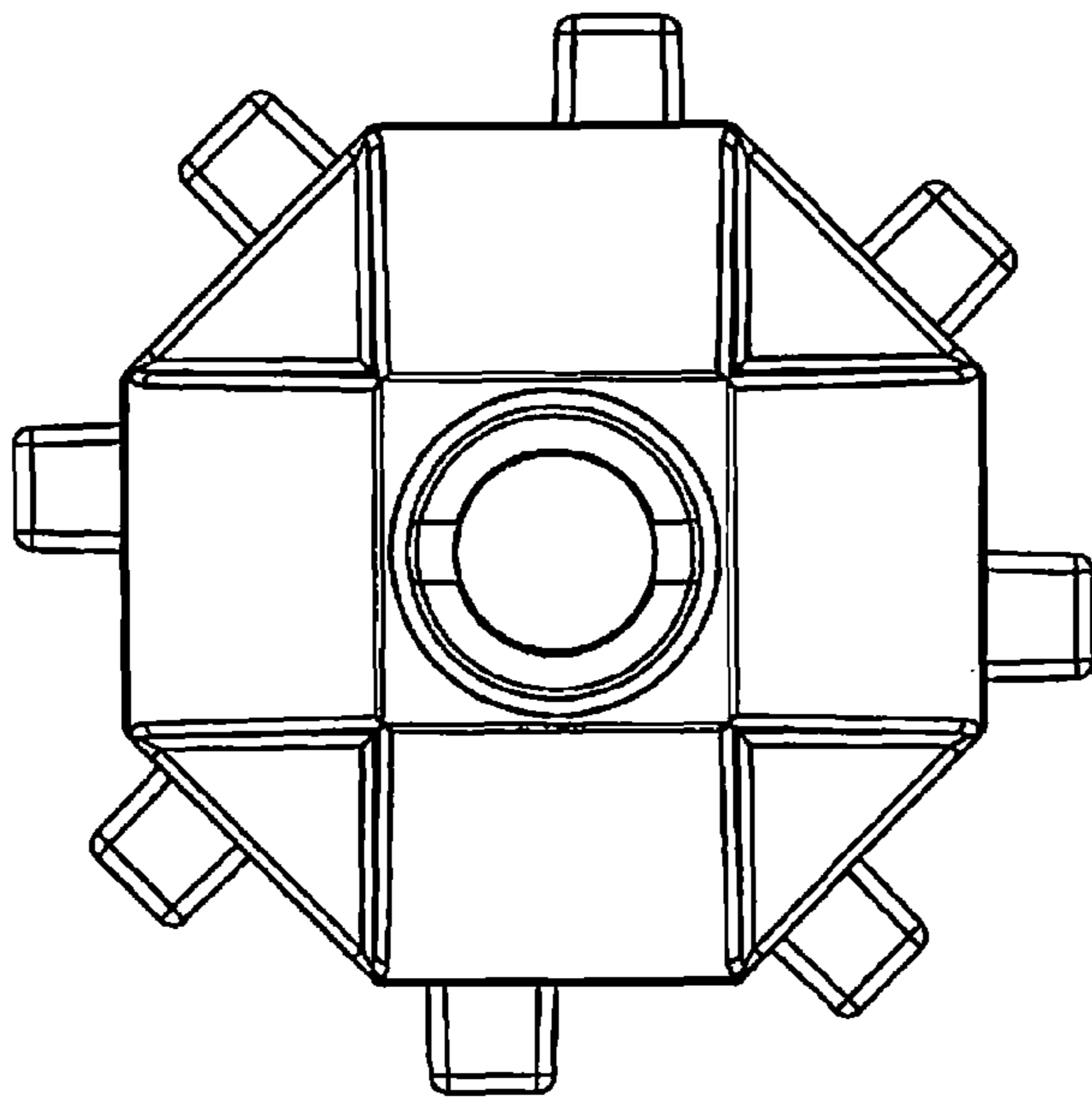


FIG - 3

FIG - 4

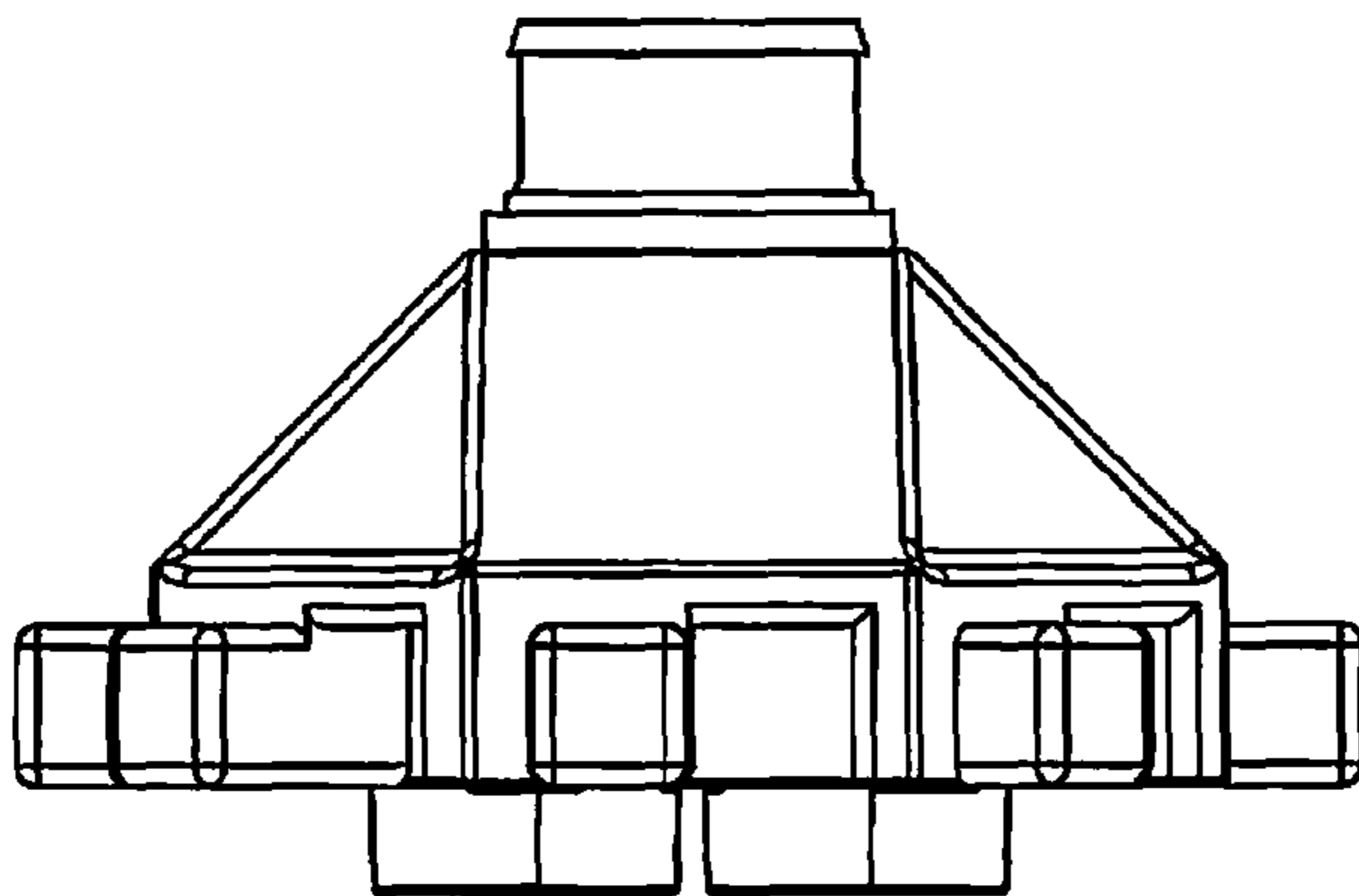
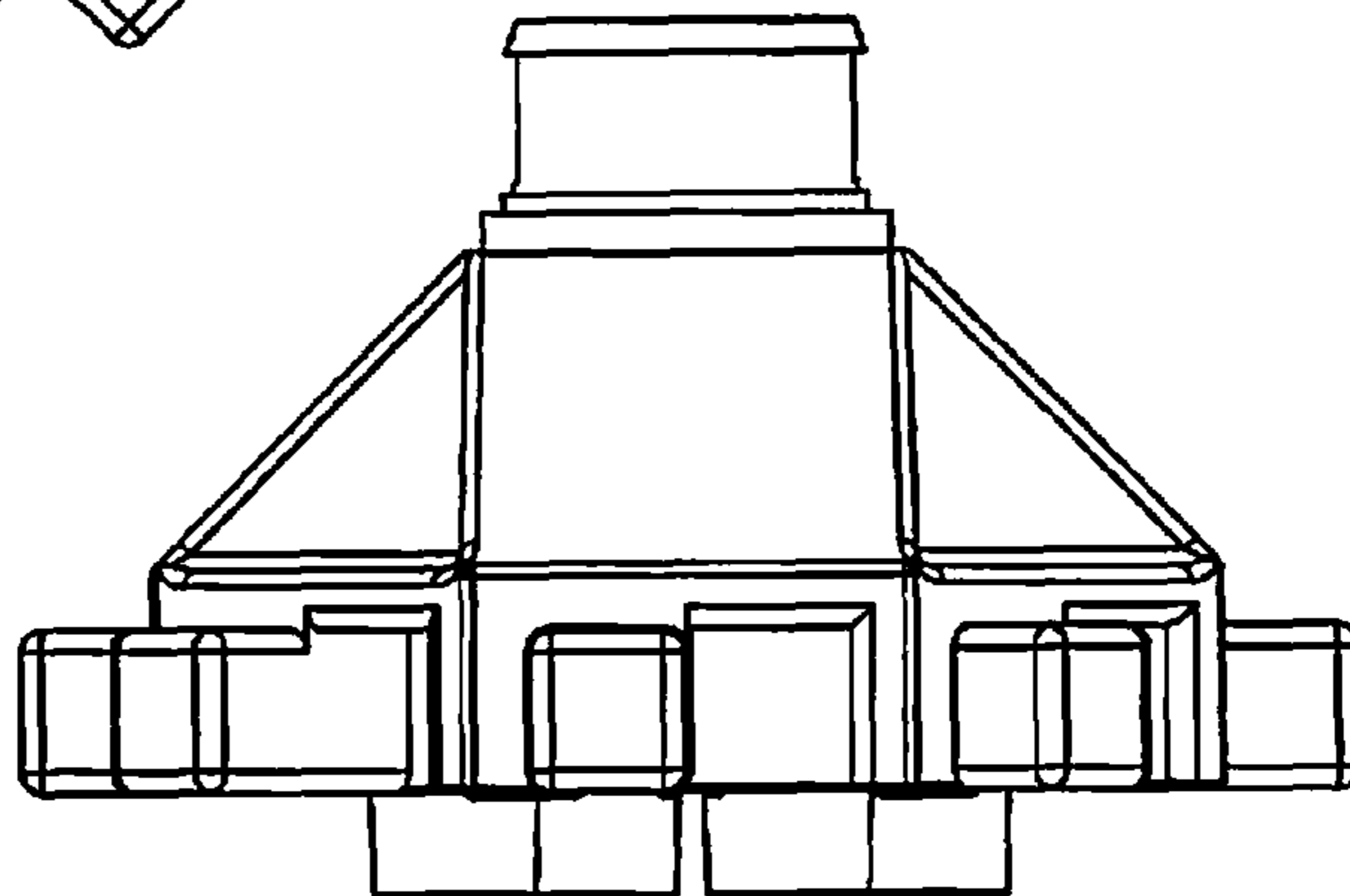


FIG - 5

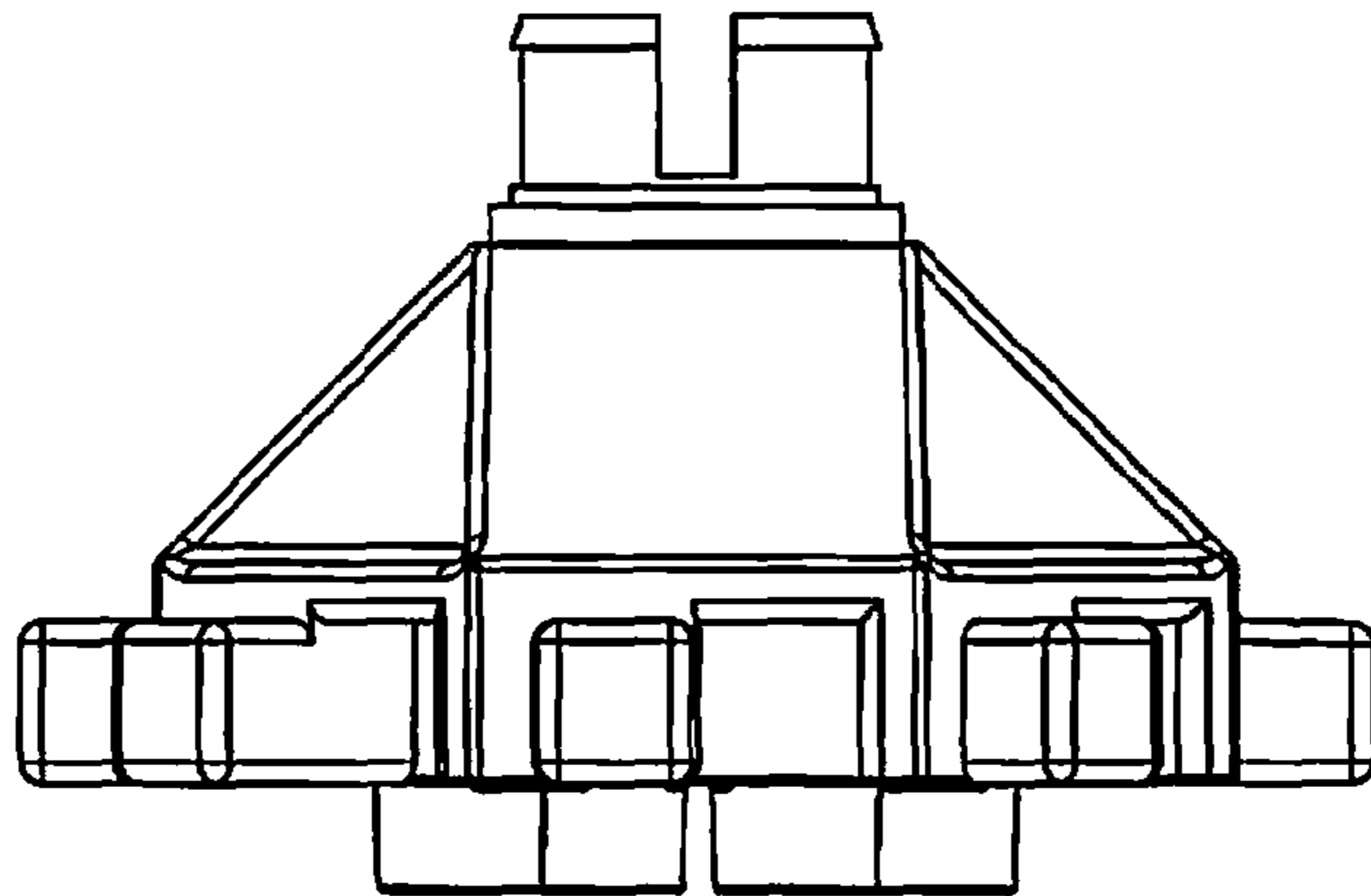


FIG - 6

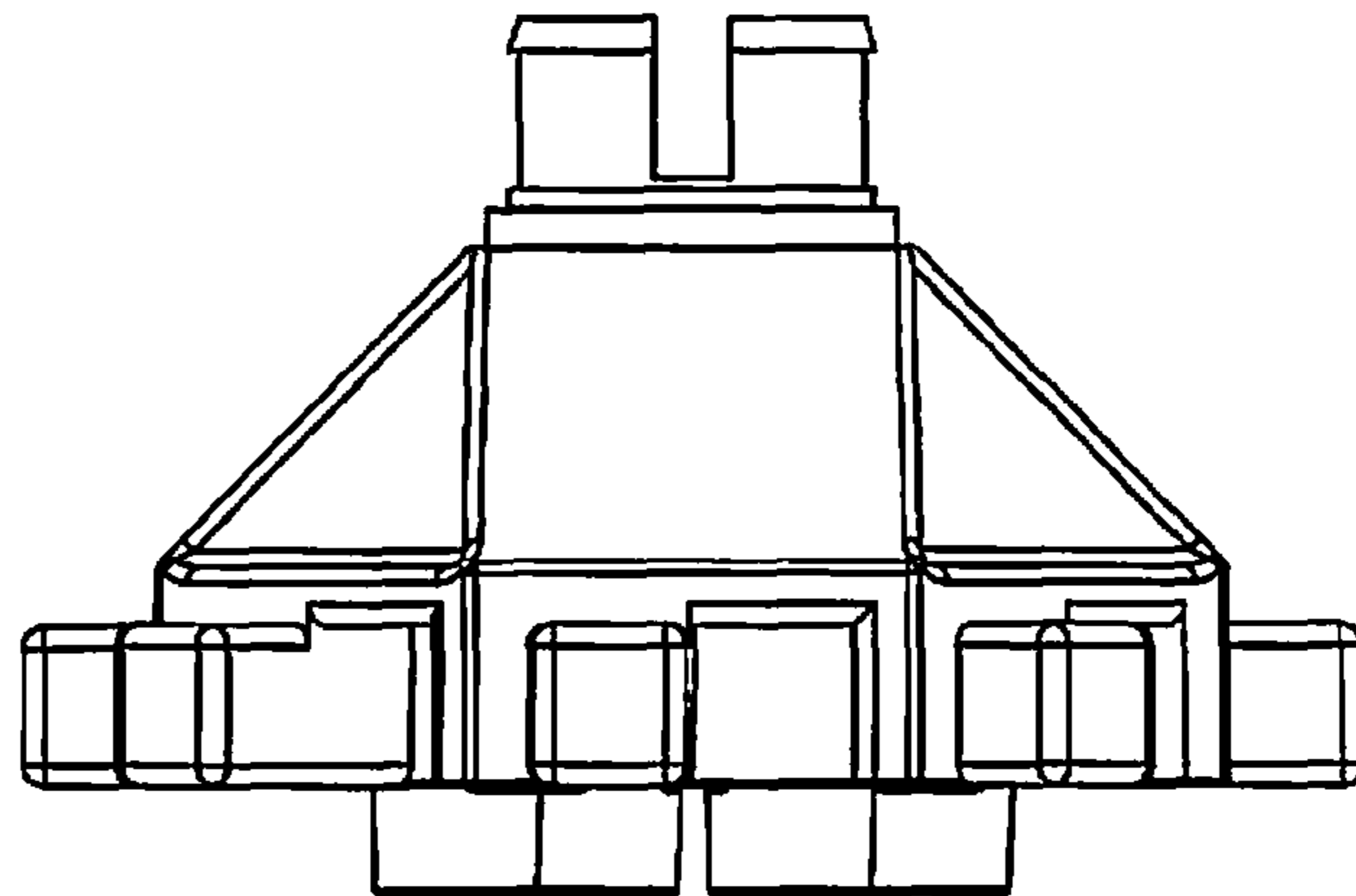


FIG - 7

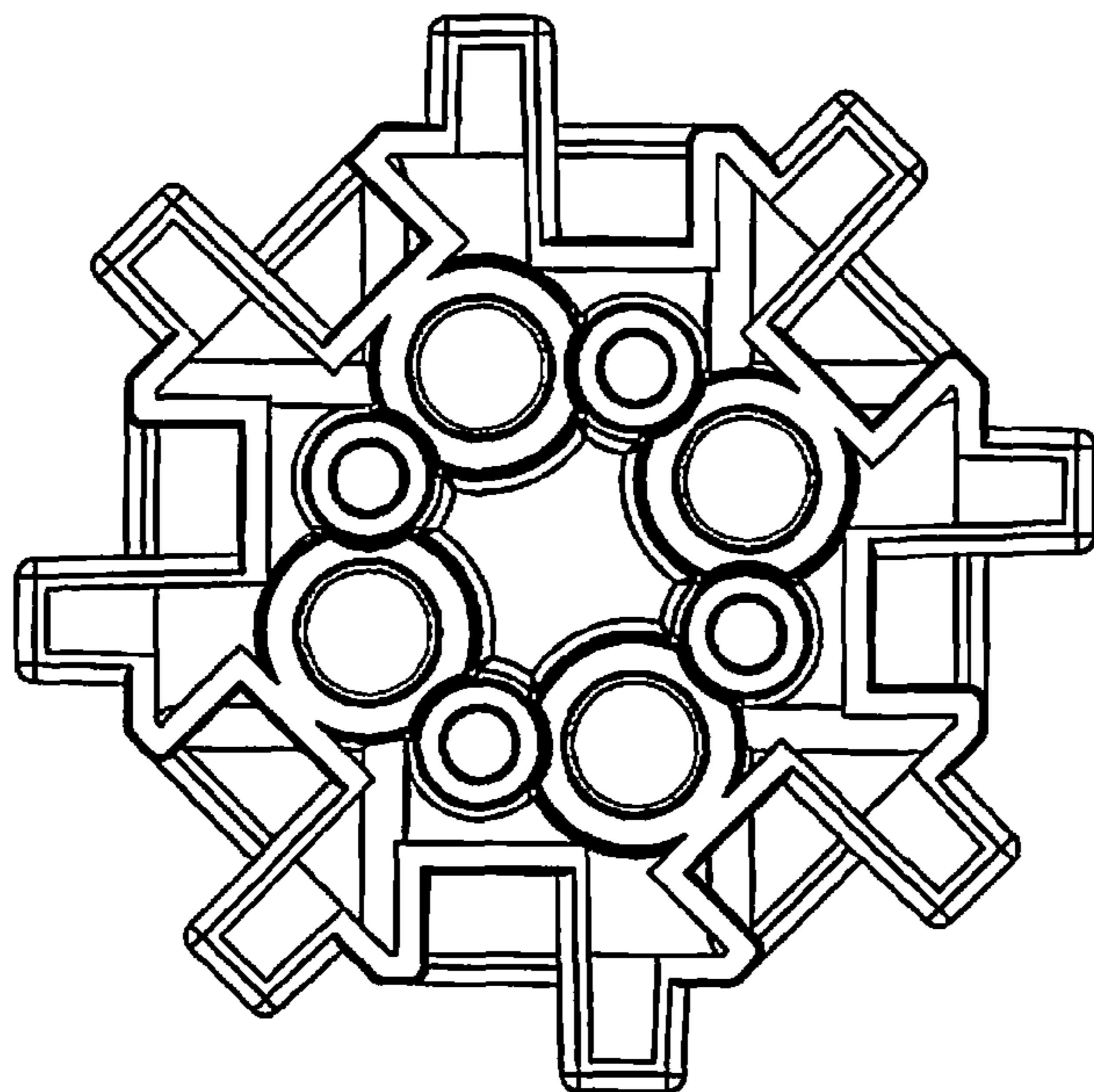


FIG - 8