



US00D720407S

(12) **United States Design Patent**
Fujino et al.

(10) **Patent No.:** **US D720,407 S**
(45) **Date of Patent:** **** Dec. 30, 2014**

(54) **PORTABLE COMPUTER**

(71) Applicant: **Nintendo Co., Ltd.**, Kyoto (JP)

(72) Inventors: **Takaki Fujino**, Kyoto (JP); **Yui Ehara**,
Kyoto (JP); **Tetsuya Akama**, Kyoto (JP);
Kochi Kawai, Kyoto (JP); **Kazuhiko**
Koriyama, Kyoto (JP)

(73) Assignee: **Nintendo Co., Ltd.**, Kyoto (JP)

(**) Term: **14 Years**

(21) Appl. No.: **29/478,578**

(22) Filed: **Jan. 7, 2014**

(30) **Foreign Application Priority Data**

Aug. 23, 2013 (JP) 2013-019289

(51) **LOC (10) Cl.** **21-01**

(52) **U.S. Cl.**
USPC **D21/333**; D14/203.7; D21/329

(58) **Field of Classification Search**
CPC A63F 9/00; A63F 9/24; A63F 13/00;
G06F 17/00; G06F 19/00; G07F 17/32;
H01H 9/20
USPC D21/324-333; D14/341-346, 356, 432,
D14/496, 507, 399-401; 273/148 B; 463/1,
463/29-47; 345/156-161, 168, 169, 172;
341/22, 23

See application file for complete search history.

(56) **References Cited**

U.S. PATENT DOCUMENTS

4,511,406 A * 4/1985 Miller 106/18.14
5,085,798 A * 2/1992 Swan et al. 510/408
D405,781 S * 2/1999 Renk D14/126
D460,787 S * 7/2002 Nishikawa D21/329
6,743,104 B1 * 6/2004 Ota et al. 463/44

D539,354 S * 3/2007 Mak D21/329
7,347,780 B1 * 3/2008 Best 463/37
7,601,056 B2 * 10/2009 Watanabe 463/7
D613,341 S * 4/2010 Mar et al. D21/329
7,867,075 B2 * 1/2011 Irwin et al. 463/17
D664,601 S * 7/2012 Sogabe D21/329
8,672,767 B2 * 3/2014 Ogasawara et al. 463/46

OTHER PUBLICATIONS

U.S. Appl. No. 29/478,577, filed Jan. 7, 2014, "Portable Computer,"
Fujino et al.

U.S. Appl. No. 29/478,579, filed Jan. 7, 2014, "Portable Computer,"
Fujino et al.

U.S. Appl. No. 29/478,580, filed Jan. 7, 2014, "Portable Computer,"
Fujino et al.

U.S. Appl. No. 29/478,581, filed Jan. 7, 2014, "Portable Computer,"
Fujino et al.

* cited by examiner

Primary Examiner — Prabhakar Deshmukh

(74) *Attorney, Agent, or Firm* — Nixon & Vanderhye PC

(57) **CLAIM**

The ornamental design for a portable computer, as shown and
described.

DESCRIPTION

FIG. 1 is a perspective view of a portable computer showing
our new design;

FIG. 2 is a perspective view thereof;

FIG. 3 is a front view thereof;

FIG. 4 is a back view thereof;

FIG. 5 is a left view thereof;

FIG. 6 is a right view thereof;

FIG. 7 is a top view thereof; and,

FIG. 8 is a bottom view thereof.

The broken lines shown in the figures are for illustrative
purposes only and form no part of the claimed design.

1 Claim, 7 Drawing Sheets

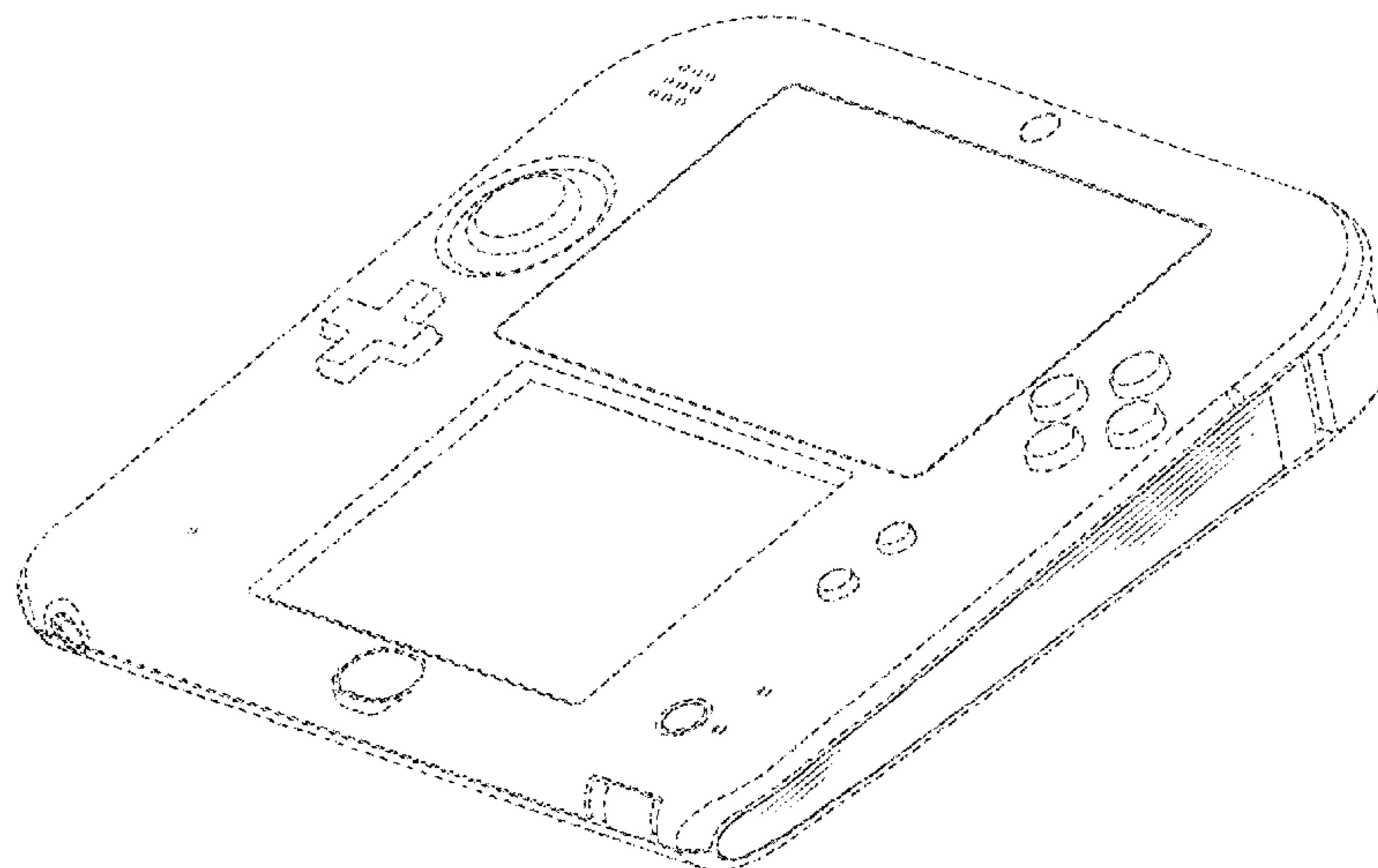


Fig 1

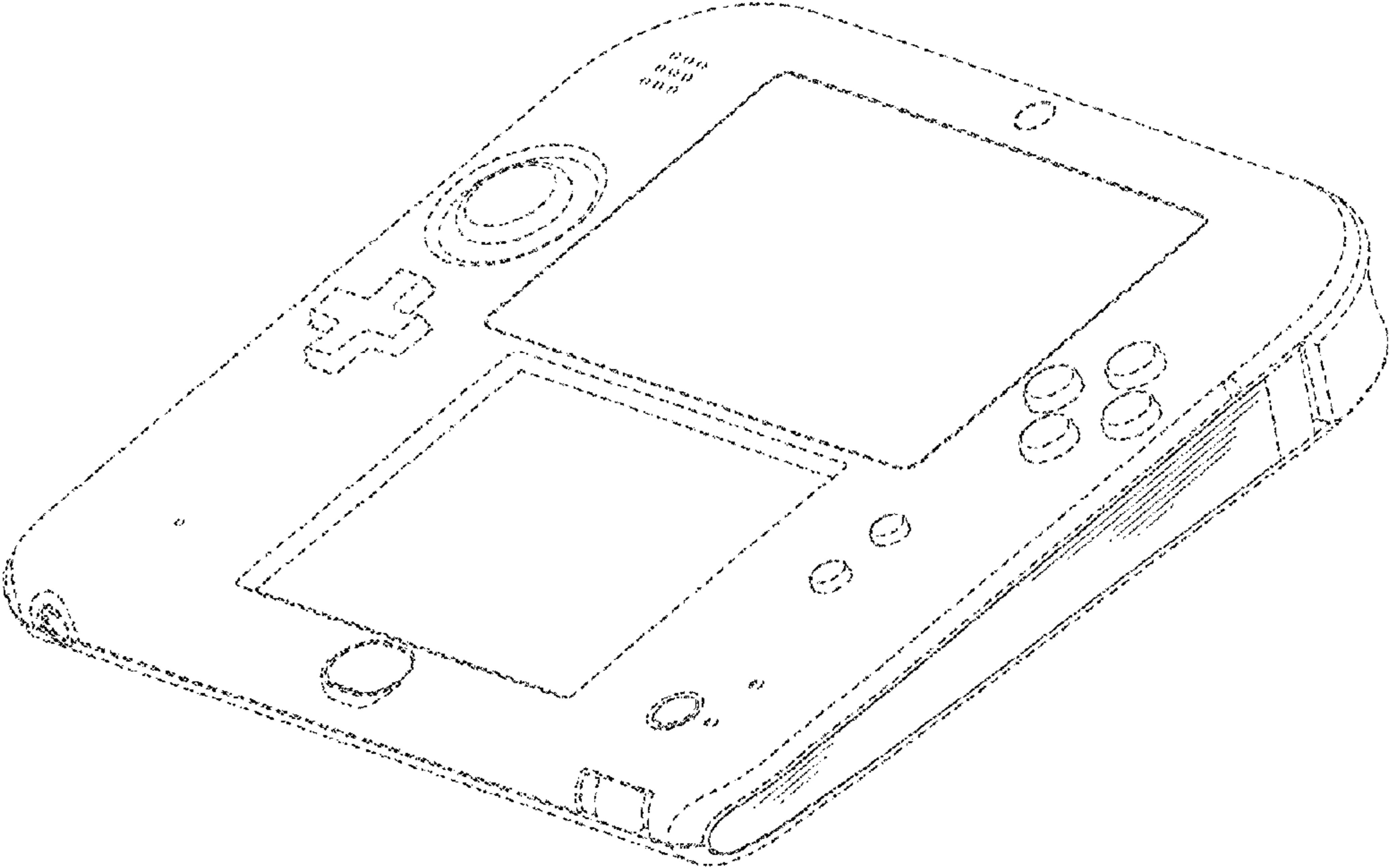


Fig 2

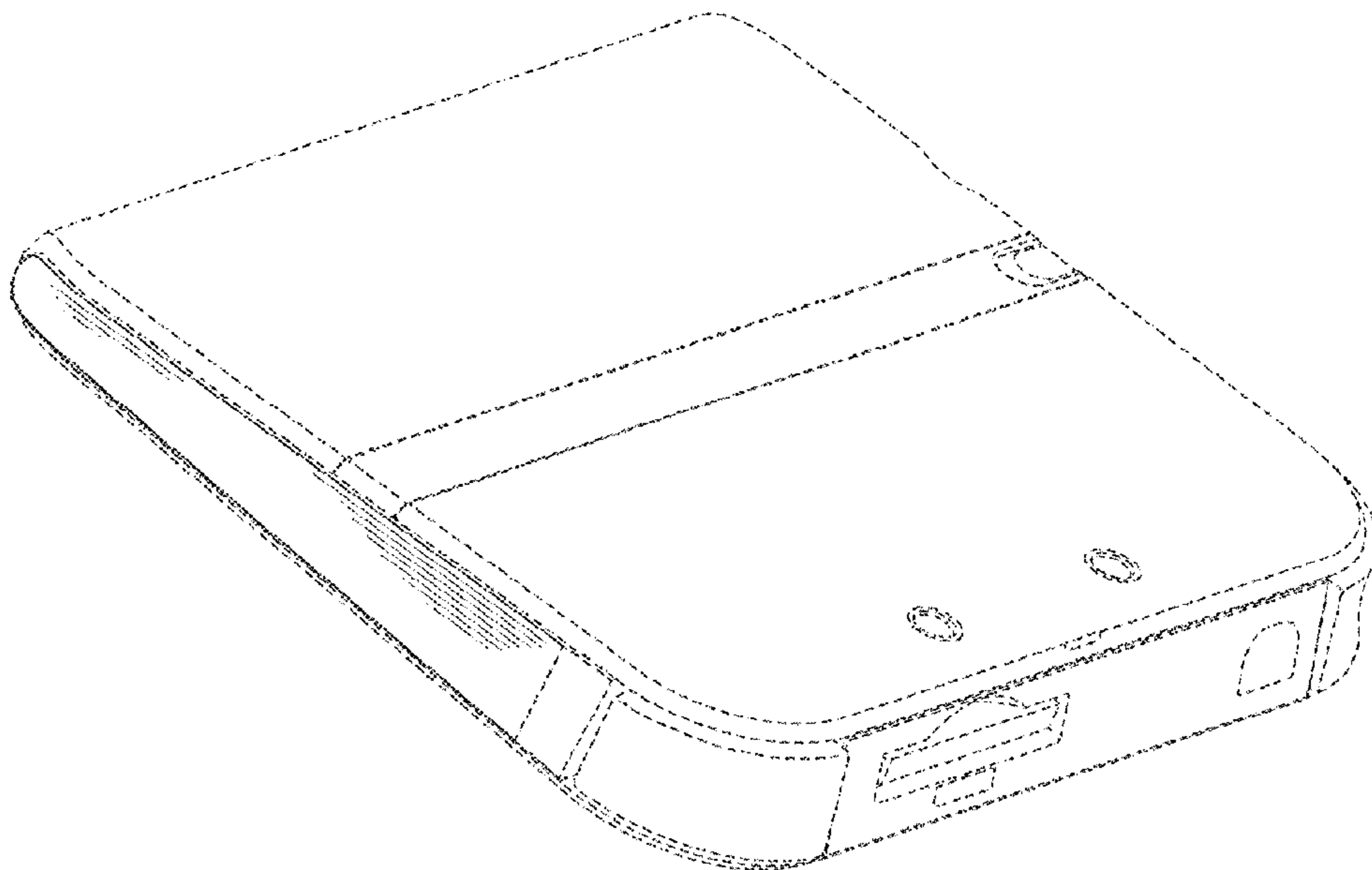


Fig 3

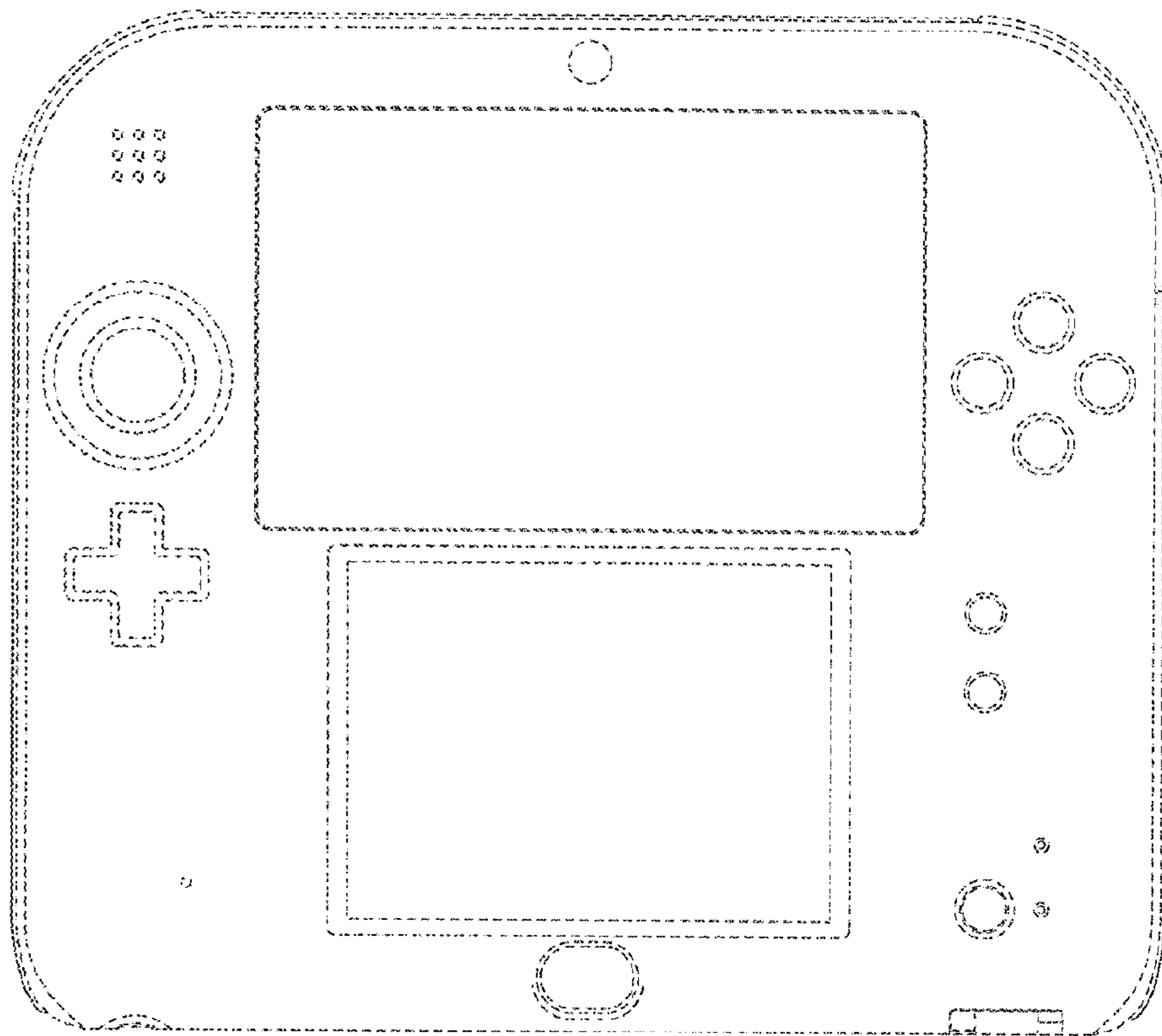


Fig 4

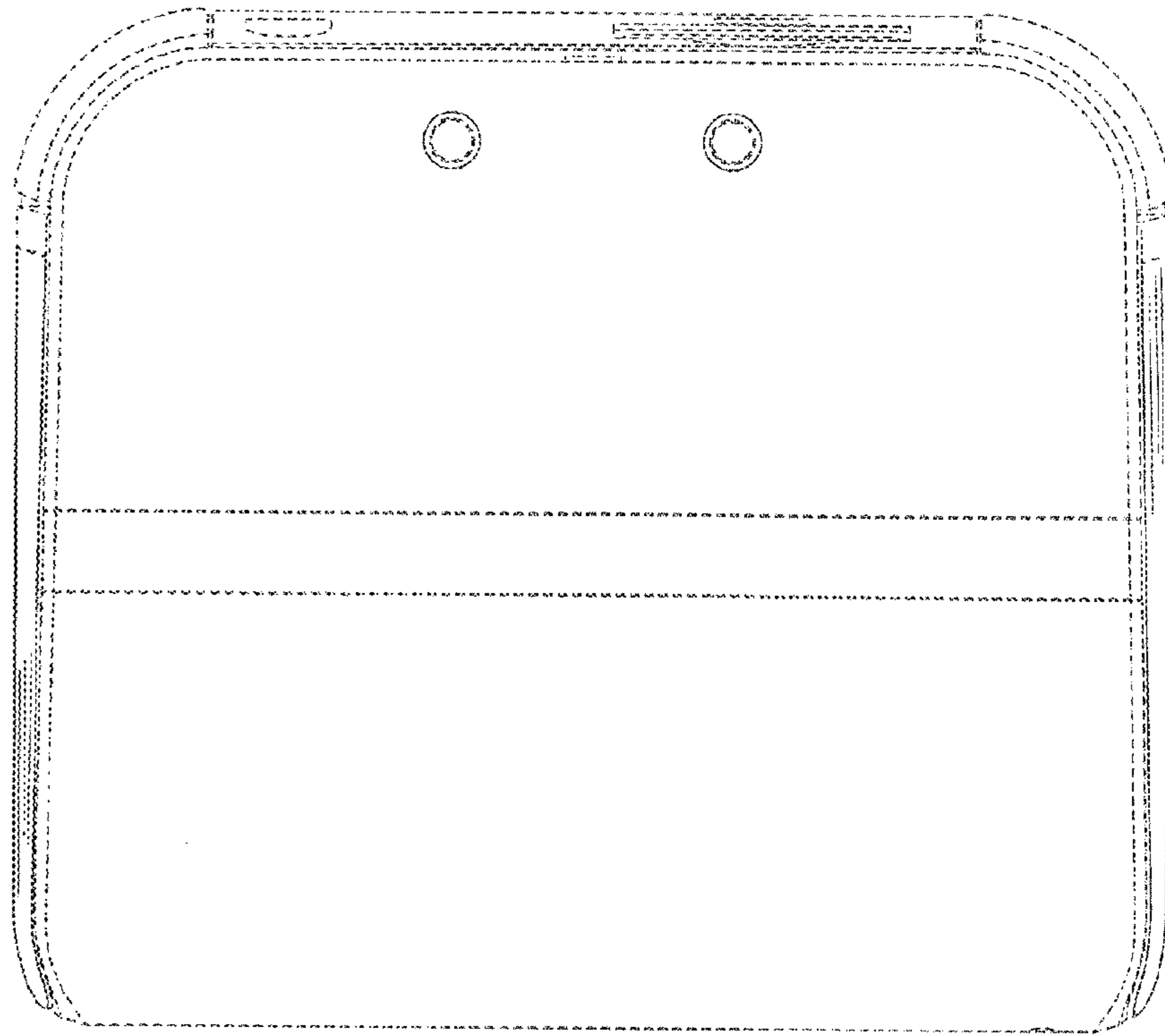


Fig 5

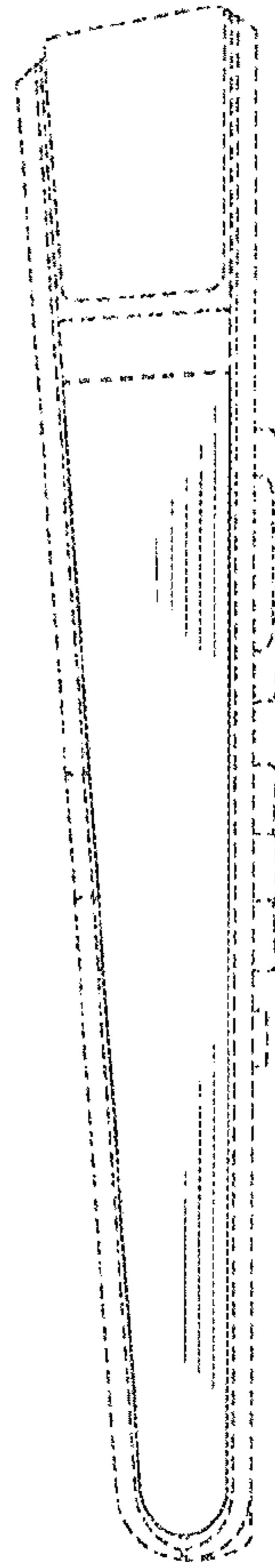


Fig 6

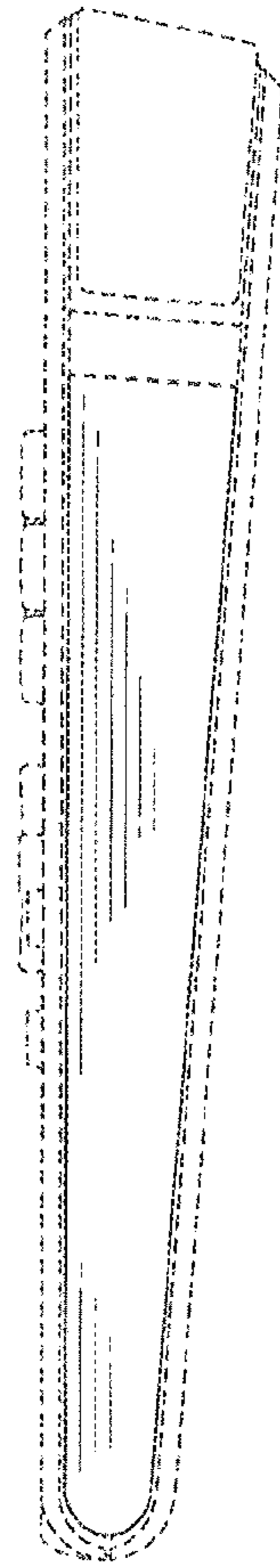


Fig 7

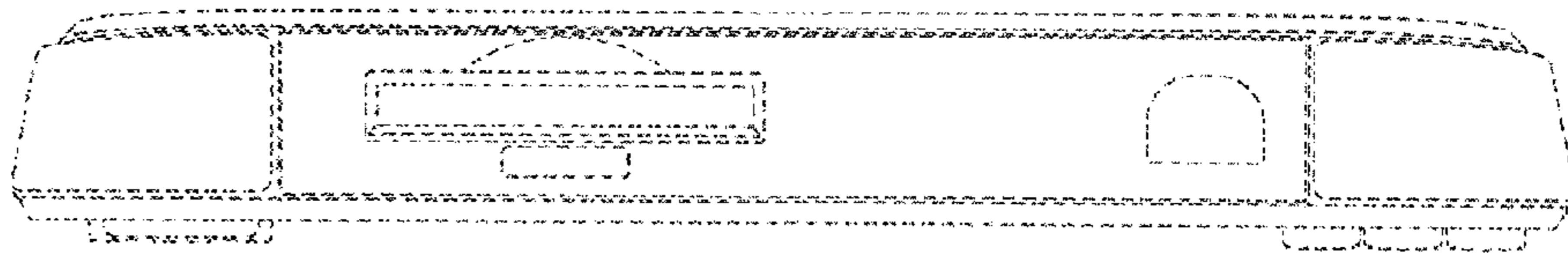


Fig 8

