



US00D720403S

(12) **United States Design Patent**  
**Parisi et al.**

(10) **Patent No.:** **US D720,403 S**

(45) **Date of Patent:** **\*\* Dec. 30, 2014**

(54) **BALL RETURN**

(71) Applicant: **QubicaAMF Worldwide, LLC**,  
Mechanicsville, VA (US)

(72) Inventors: **Tommaso Parisi**, Bologna (IT);  
**Massimo Baraldi**, Bologna (IT); **Leroy T. Warren, Jr.**, Richmond, VA (US);  
**Charles A. Lee**, Williamsburg, VA (US)

(73) Assignee: **QubicaAMF Worldwide, LLC**,  
Mechanicsville, VA (US)

(\*\*) Term: **14 Years**

(21) Appl. No.: **29/471,287**

(22) Filed: **Oct. 30, 2013**

(51) **LOC (10) Cl.** ..... **21-01**

(52) **U.S. Cl.**  
USPC ..... **D21/317**

(58) **Field of Classification Search**

CPC ..... A83F 9/00; A63D 13/00; A63D 15/00;  
A63D 15/04; A63D 3/00; A63D 3/02  
USPC ..... D21/312-314, 317, 338, 374, 785;  
273/108, 108.1, 118 R, 126 R;  
473/110-116, 54, 55

See application file for complete search history.

(56) **References Cited**

**U.S. PATENT DOCUMENTS**

1,962,819 A \* 6/1934 Hoffstetter et al. .... 126/214 A  
2,884,251 A \* 4/1959 Pieper ..... 473/108

3,171,655 A \* 3/1965 Glass et al. .... 473/77  
3,602,507 A \* 8/1971 Naylor ..... 473/116  
D226,880 S \* 5/1973 Wetmore ..... D19/76  
3,756,598 A \* 9/1973 Maeda ..... 473/107  
D279,693 S \* 7/1985 Kovacs ..... D21/317  
5,135,221 A \* 8/1992 Barlow ..... 473/116  
D343,219 S \* 1/1994 Unterberger ..... D21/317  
6,039,655 A \* 3/2000 Todokoro ..... 473/116  
D497,187 S \* 10/2004 Lokos ..... D21/317  
D520,067 S \* 5/2006 Lokos ..... D21/317

\* cited by examiner

*Primary Examiner* — Prabhakar Deshmukh

(74) *Attorney, Agent, or Firm* — Andrew M. Calderon;  
Roberts Mlotkowski Safran & Cole, P.C.

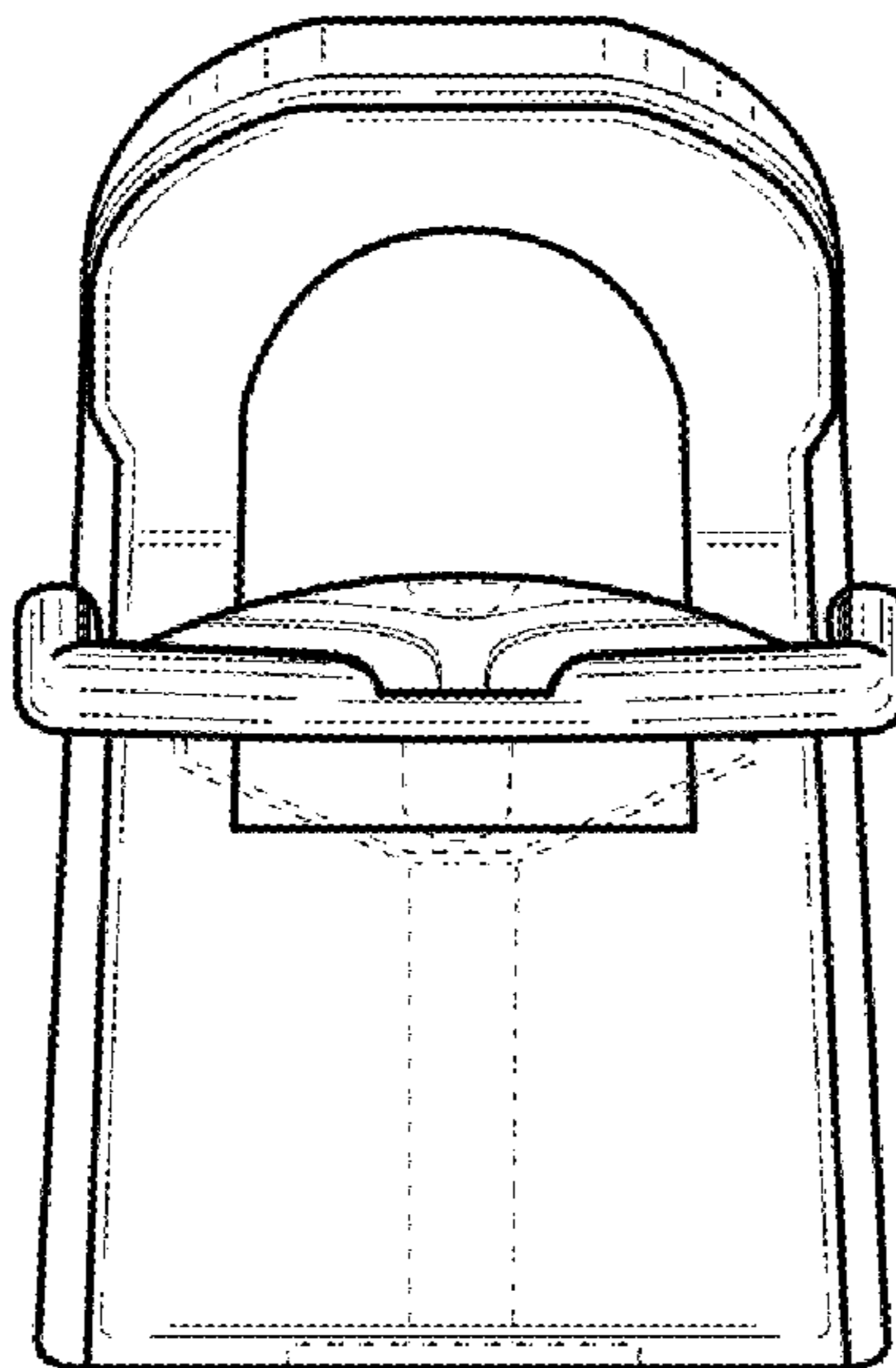
(57) **CLAIM**

We claim the ornamental design for a ball return, as shown and described.

**DESCRIPTION**

FIG. 1 is front elevation of a ball return showing our new design;  
FIG. 2 is a rear elevation thereof;  
FIG. 3 is a left side elevation thereof, the right side elevation being a mirror image;  
FIG. 4 is a top plan view thereof;  
FIG. 5 is a bottom plan view thereof; and,  
FIG. 6 is a perspective view thereof.  
The broken lines environment is for illustrative purpose only and forms no part of the claimed design.

**1 Claim, 6 Drawing Sheets**



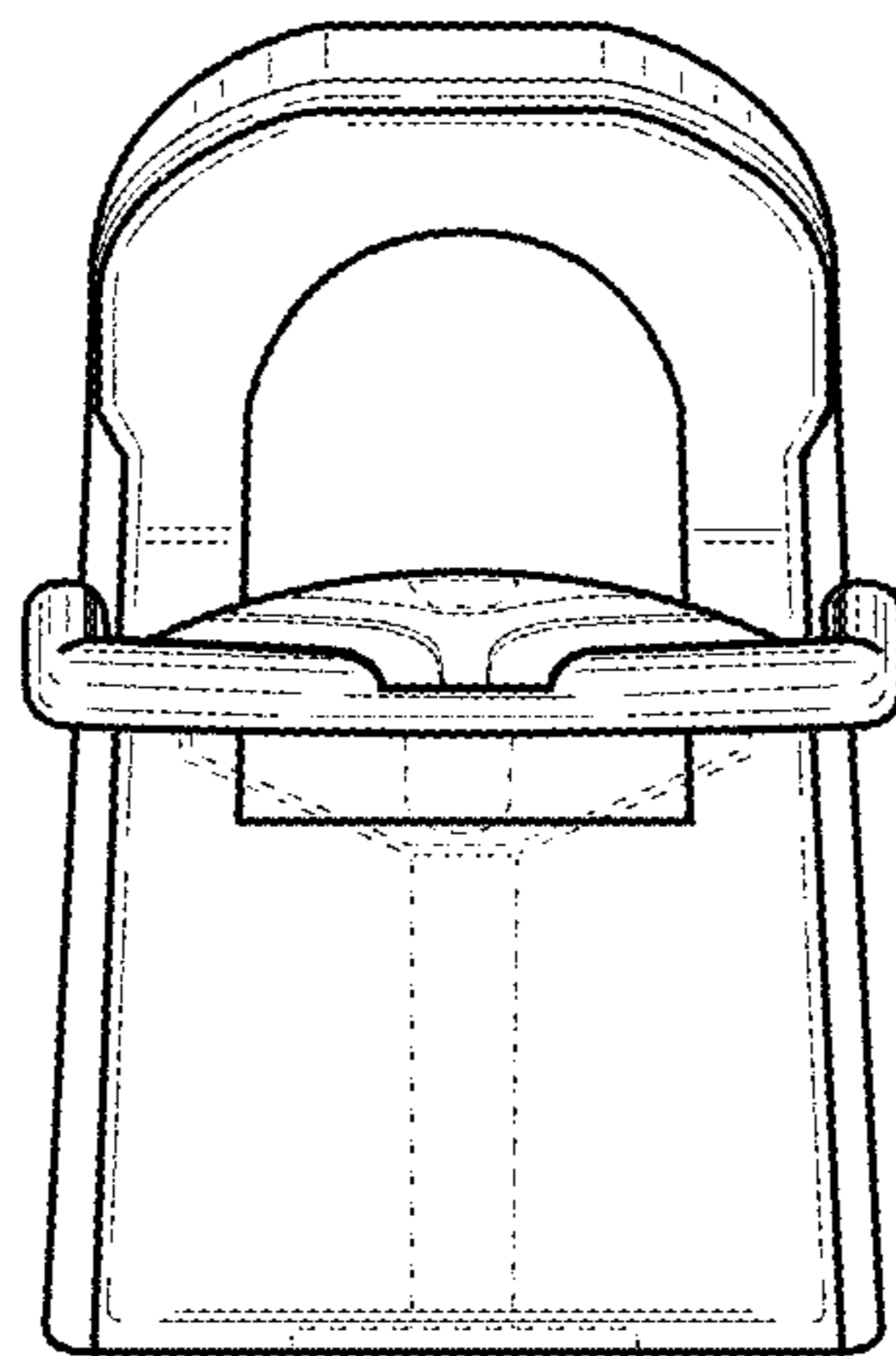


FIG. 1

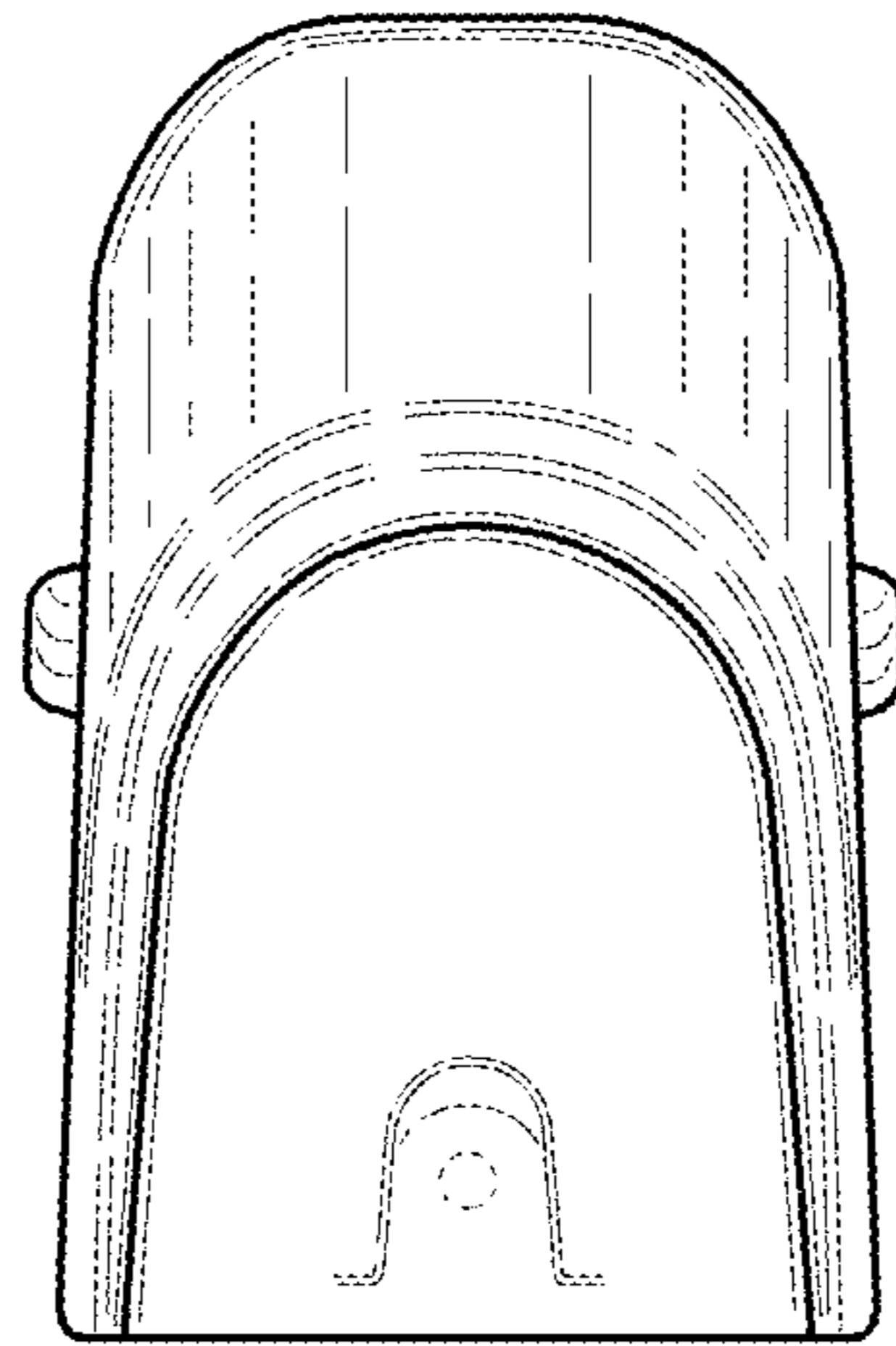


FIG. 2

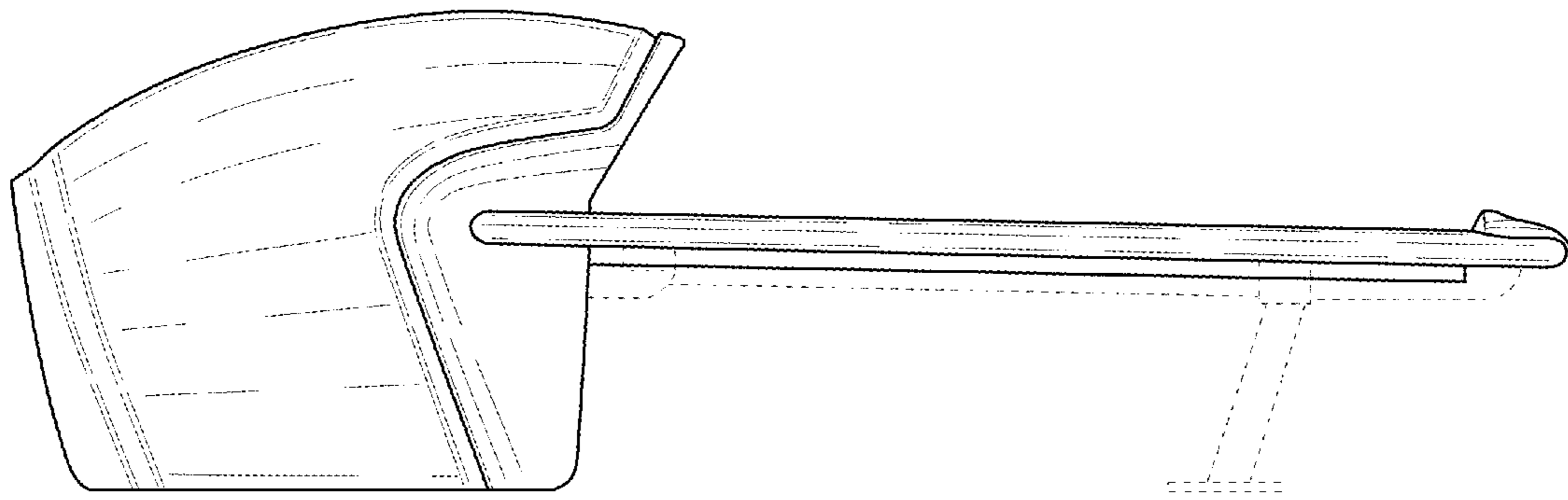


FIG. 3

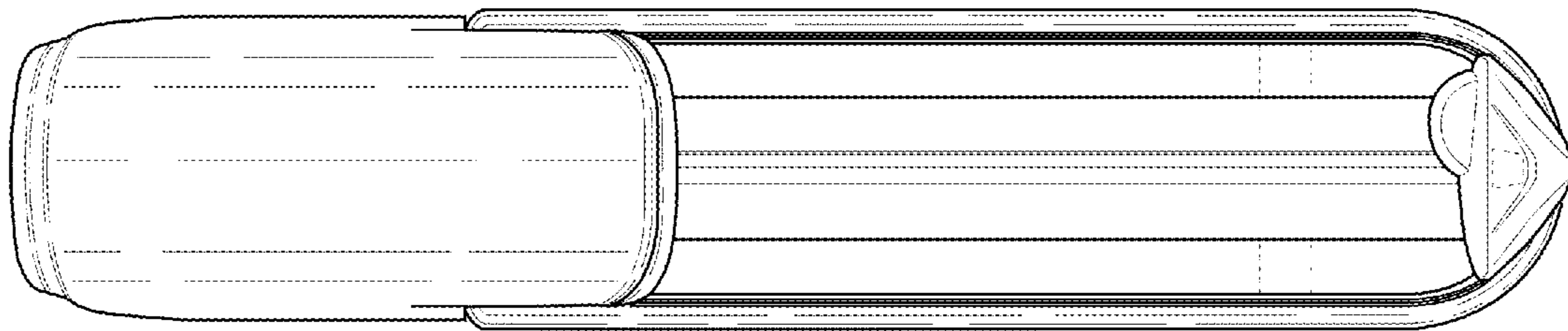


FIG. 4

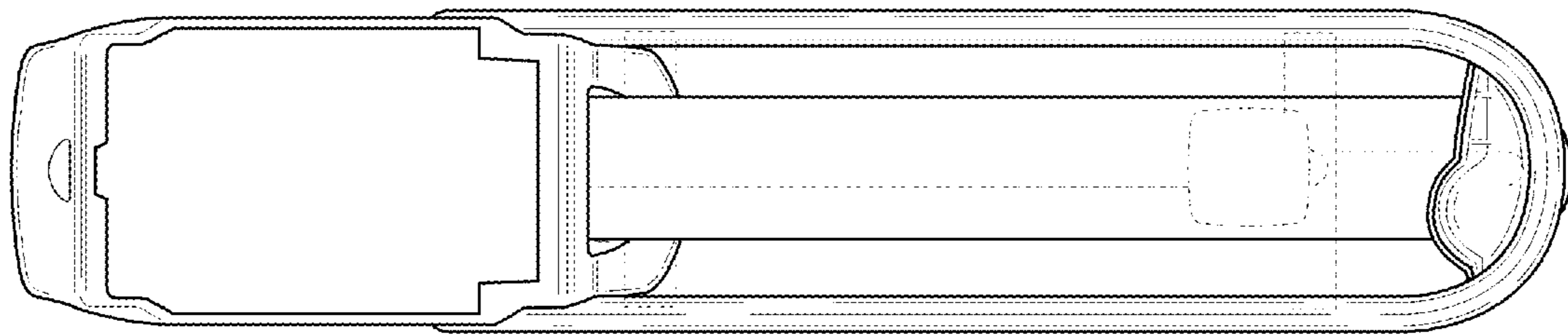


FIG. 5

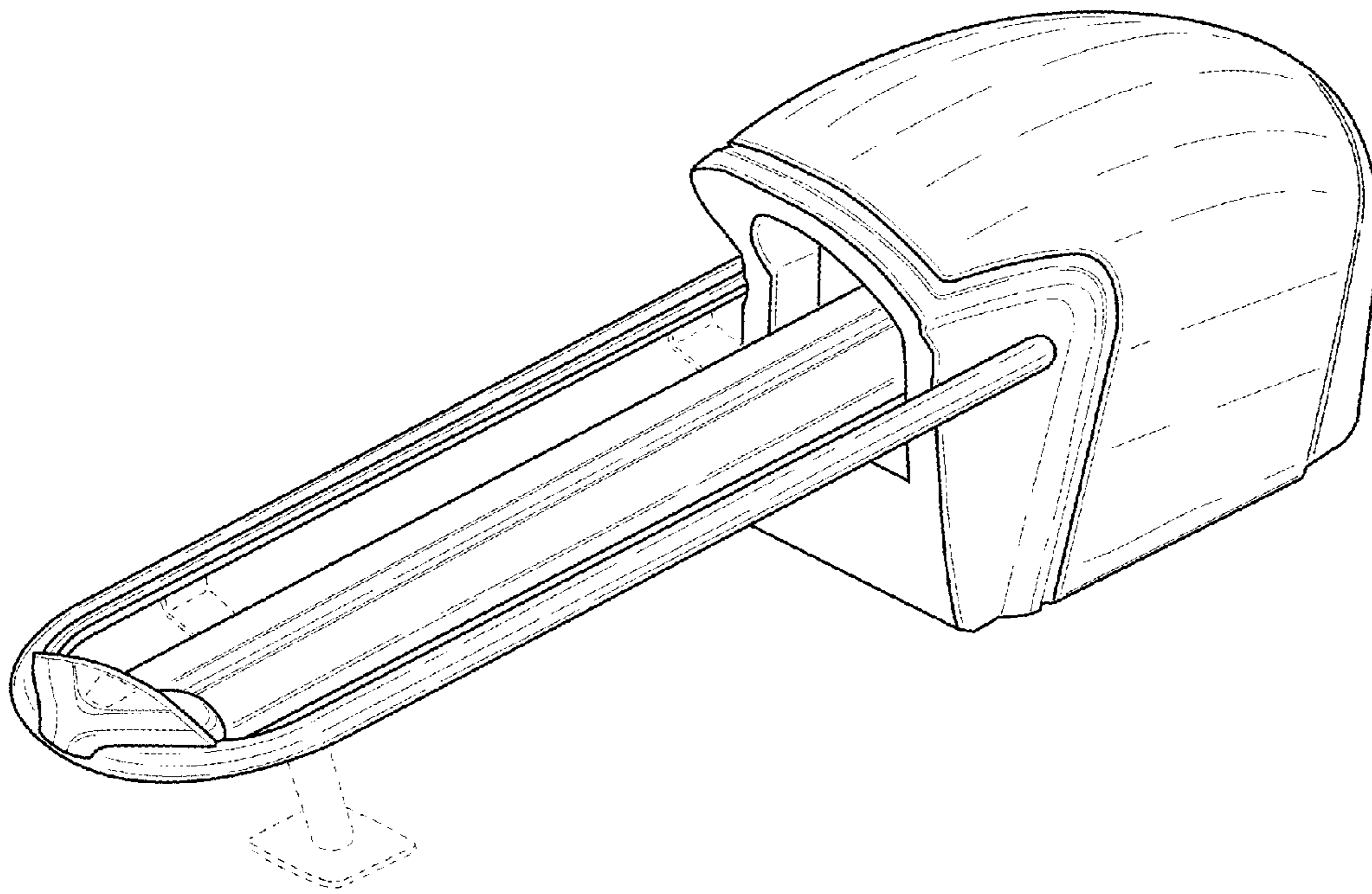


FIG. 6