



US00D720394S

(12) **United States Design Patent**
Heckler

(10) **Patent No.:** **US D720,394 S**

(45) **Date of Patent:** **** Dec. 30, 2014**

(54) **CASH DRAWER**

(71) Applicant: **Hecktech, Inc.**, Phoenix, AZ (US)

(72) Inventor: **Dean Heckler**, Phoenix, AZ (US)

(73) Assignee: **Hecktech, Inc.**, Phoenix, AZ (US)

(**) Term: **14 Years**

(21) Appl. No.: **29/497,892**

(22) Filed: **Jul. 29, 2014**

(51) **LOC (10) Cl.** **18-01**

(52) **U.S. Cl.**
USPC **D18/12.1; D99/43**

(58) **Field of Classification Search**
USPC D18/3.1, 3.3, 4.1, 4.4, 12, 12.1, 46, 47;
D99/28, 34, 35, 36, 43, 99;
D3/294-297, 304; 206/0.8, 0.81,
206/0.815, 0.82, 0.83, 0.84; 232/1 R, 1 D,
232/4 R, 7, 64, 43.1; 235/1 R, 7 R, 10, 22,
235/381, 100; 453/3, 37, 58, 61, 63;
109/1 R, 1 V, 2, 45; 902/9

See application file for complete search history.

(56) **References Cited**

U.S. PATENT DOCUMENTS

D19,708 S *	3/1890	Monteith	D99/34
1,721,588 A *	7/1929	Dinspel	312/122
2,681,730 A *	6/1954	Carne	206/0.83
2,735,541 A *	2/1956	Mosler	206/0.81
D248,793 S *	8/1978	Ross	D18/12.1
4,412,709 A *	11/1983	Ishii	312/291
D294,269 S *	2/1988	Williams	D18/12.1
D294,711 S *	3/1988	Williams	D18/12.1
D296,949 S *	7/1988	Warwicker	D99/34
5,371,344 A *	12/1994	Buie et al.	235/1 R
5,451,753 A *	9/1995	Leatherwood et al.	235/7 R
5,768,965 A *	6/1998	Gonzalez et al.	83/440

6,152,366 A *	11/2000	Maddox et al.	235/381
D435,582 S *	12/2000	Davies	D18/12.1
D459,857 S *	7/2002	Stoneberg	D99/28
D460,104 S *	7/2002	Wada	D18/12.1
D541,045 S *	4/2007	Pearl et al.	D3/291
D542,529 S *	5/2007	Pearl et al.	D3/276
D558,977 S *	1/2008	Pearl et al.	D3/294
D561,994 S *	2/2008	Pearl et al.	D3/291
D607,175 S *	12/2009	Stevens	D99/43
D671,705 S *	11/2012	Edmondson	D99/28
D677,855 S *	3/2013	Eick	D99/35
D695,520 S *	12/2013	Edwards et al.	D3/294

* cited by examiner

Primary Examiner — Elizabeth J Oswecki

(74) *Attorney, Agent, or Firm* — Hartman Titus PLC; John D. Titus

(57) **CLAIM**

The ornamental design for a cash drawer, as shown and described.

DESCRIPTION

FIG. 1 is a front perspective view of a cash drawer showing my new design;

FIG. 2 is a rear perspective view of the cash drawer shown in FIG. 1;

FIG. 3 is a front view of the cash drawer shown in FIG. 1;

FIG. 4 is a rear view of the cash drawer shown in FIG. 1;

FIG. 5 is a top view of the cash drawer shown in FIG. 1;

FIG. 6 is a bottom view of the cash drawer shown in FIG. 1;

FIG. 7 is a left side view of the cash drawer shown in FIG. 1;

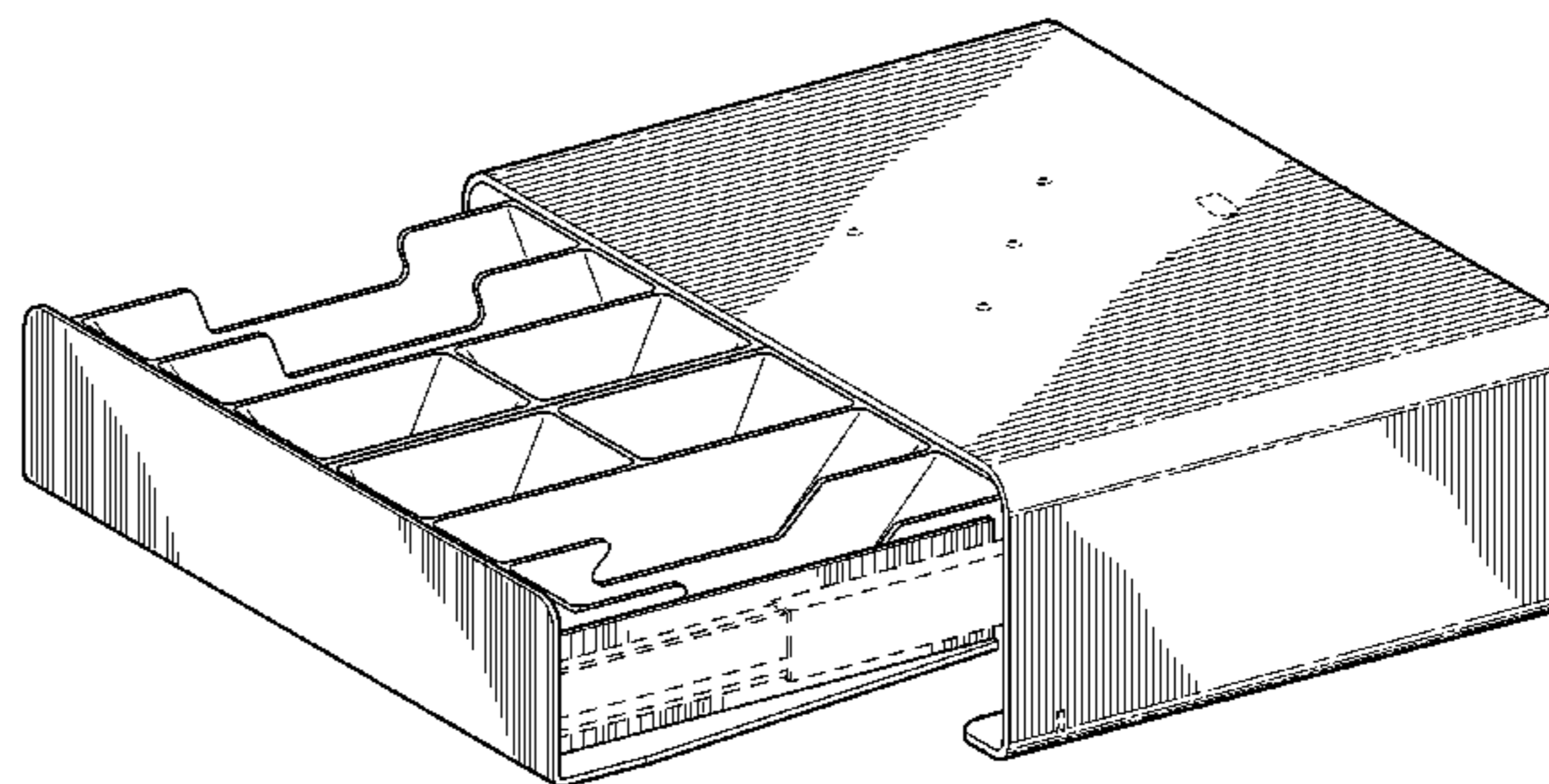
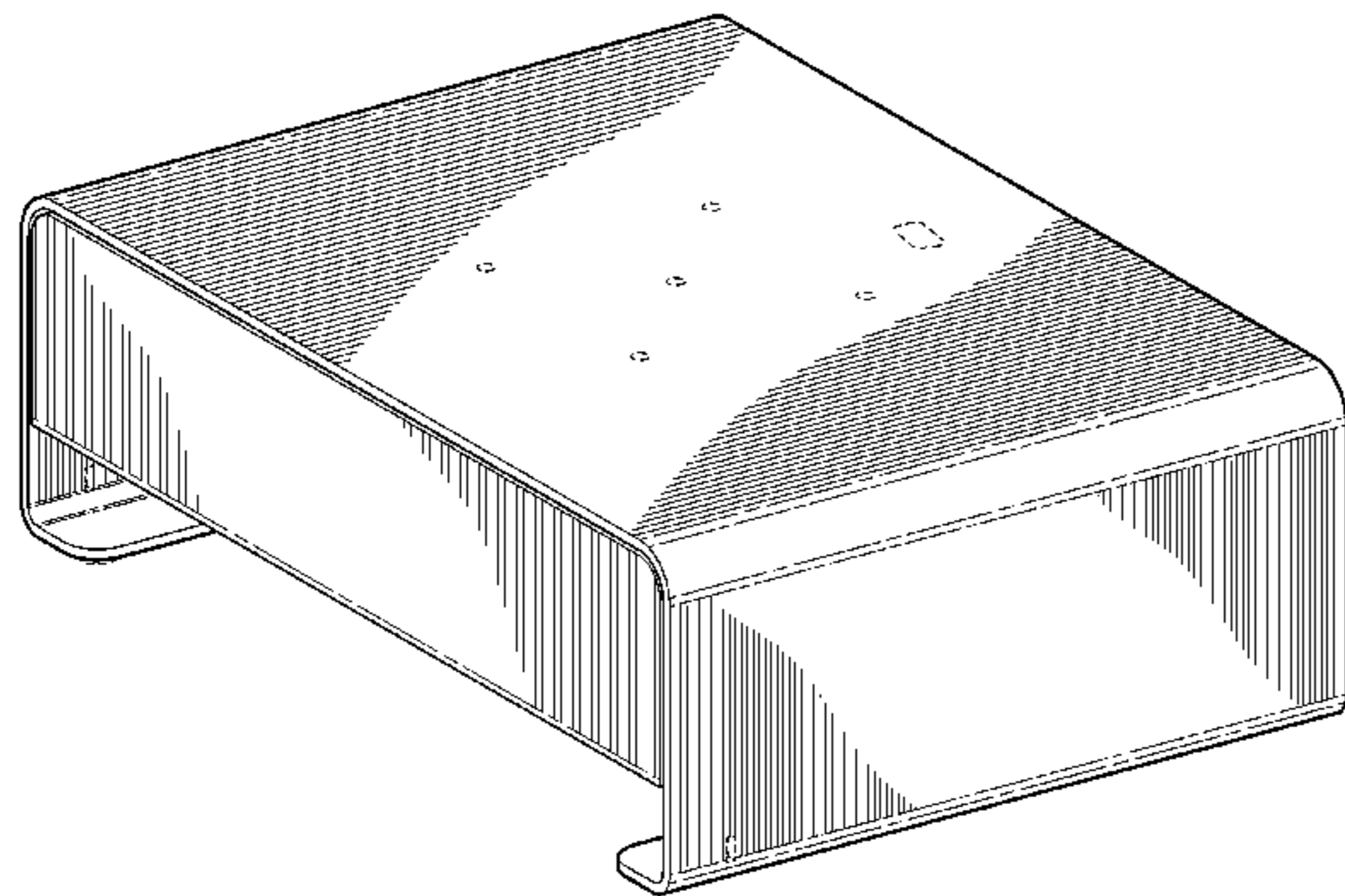
FIG. 8 is a right side view of the cash drawer shown in FIG. 1;

and,

FIG. 9 is a front perspective view of the cash drawer shown in FIG. 1 with the drawer extended.

The broken lines shown in the drawings represent portions of the cash drawer that form no part of the claimed design.

1 Claim, 7 Drawing Sheets



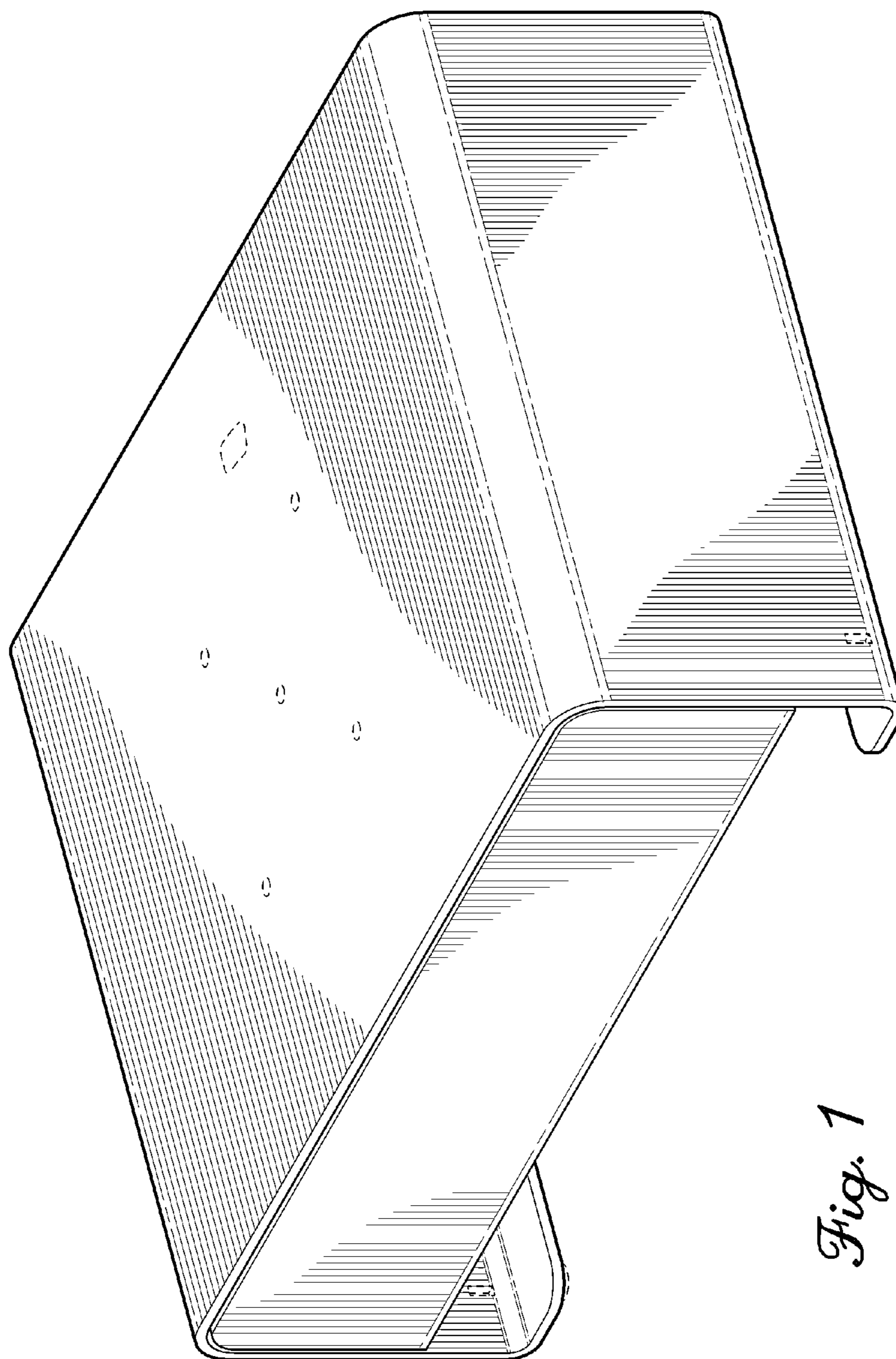


Fig. 1

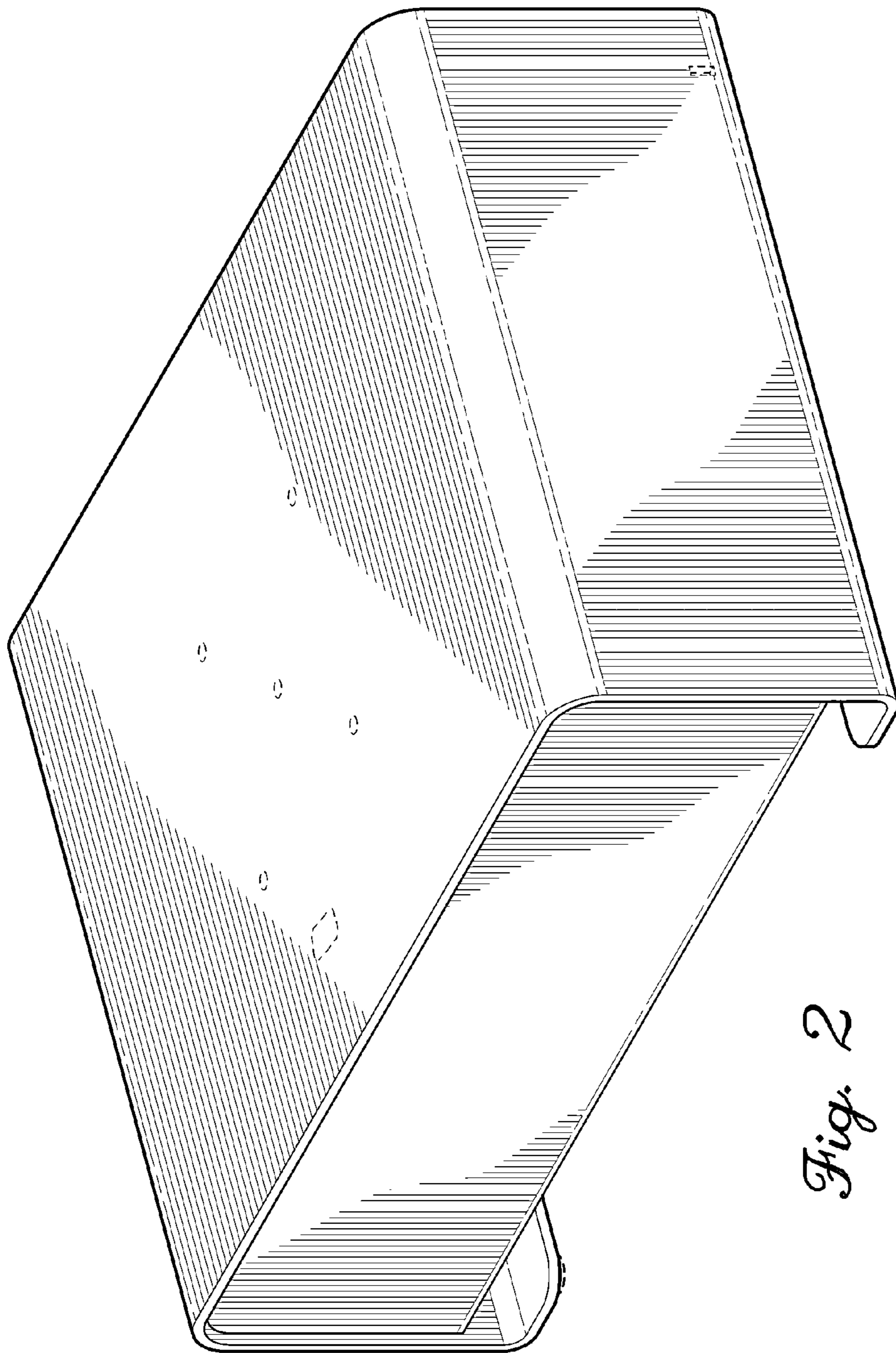


Fig. 2

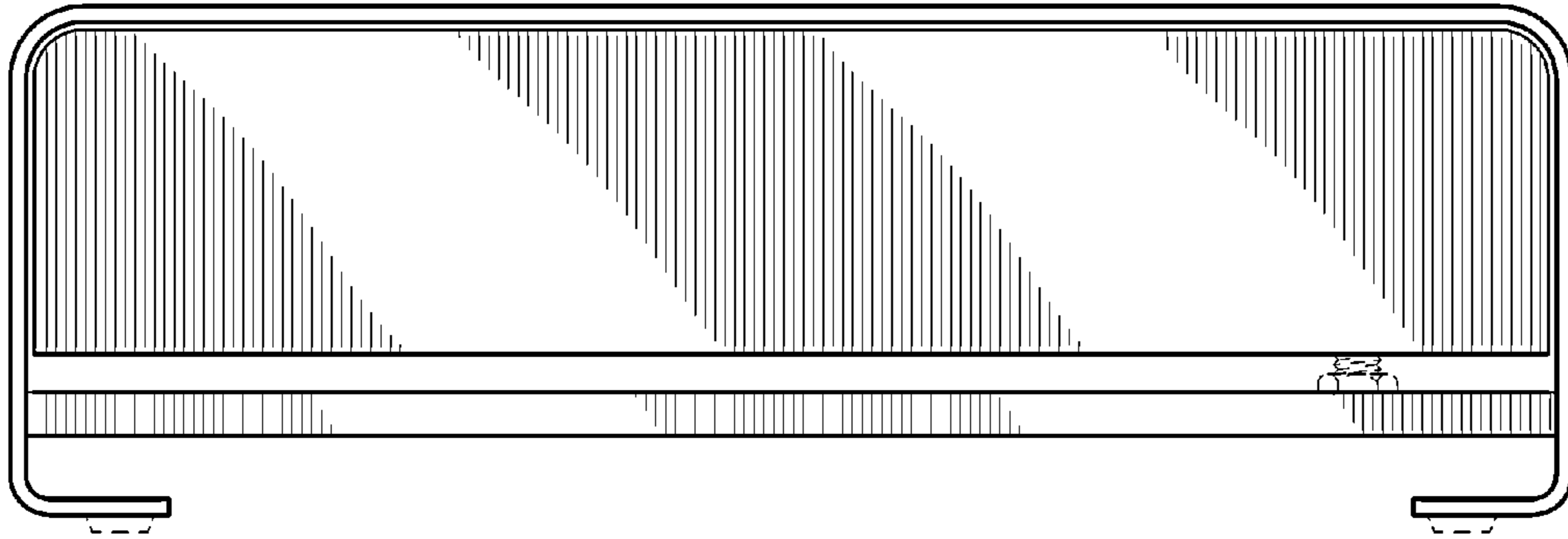


Fig. 3

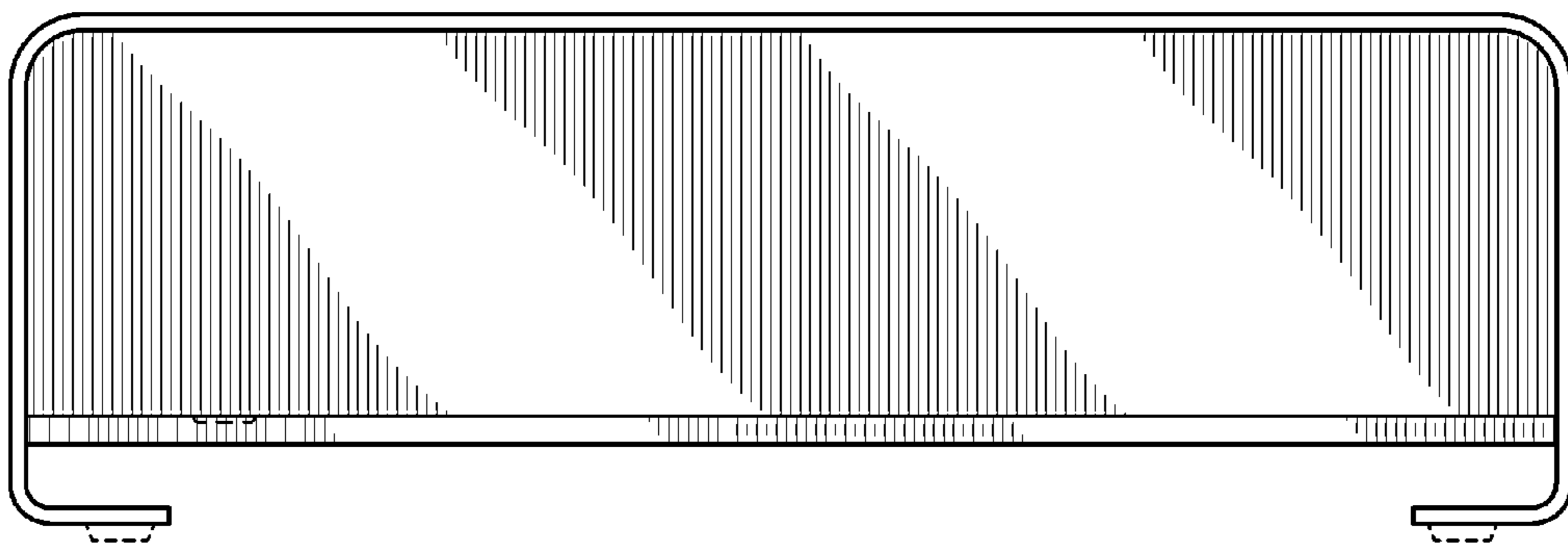


Fig. 4

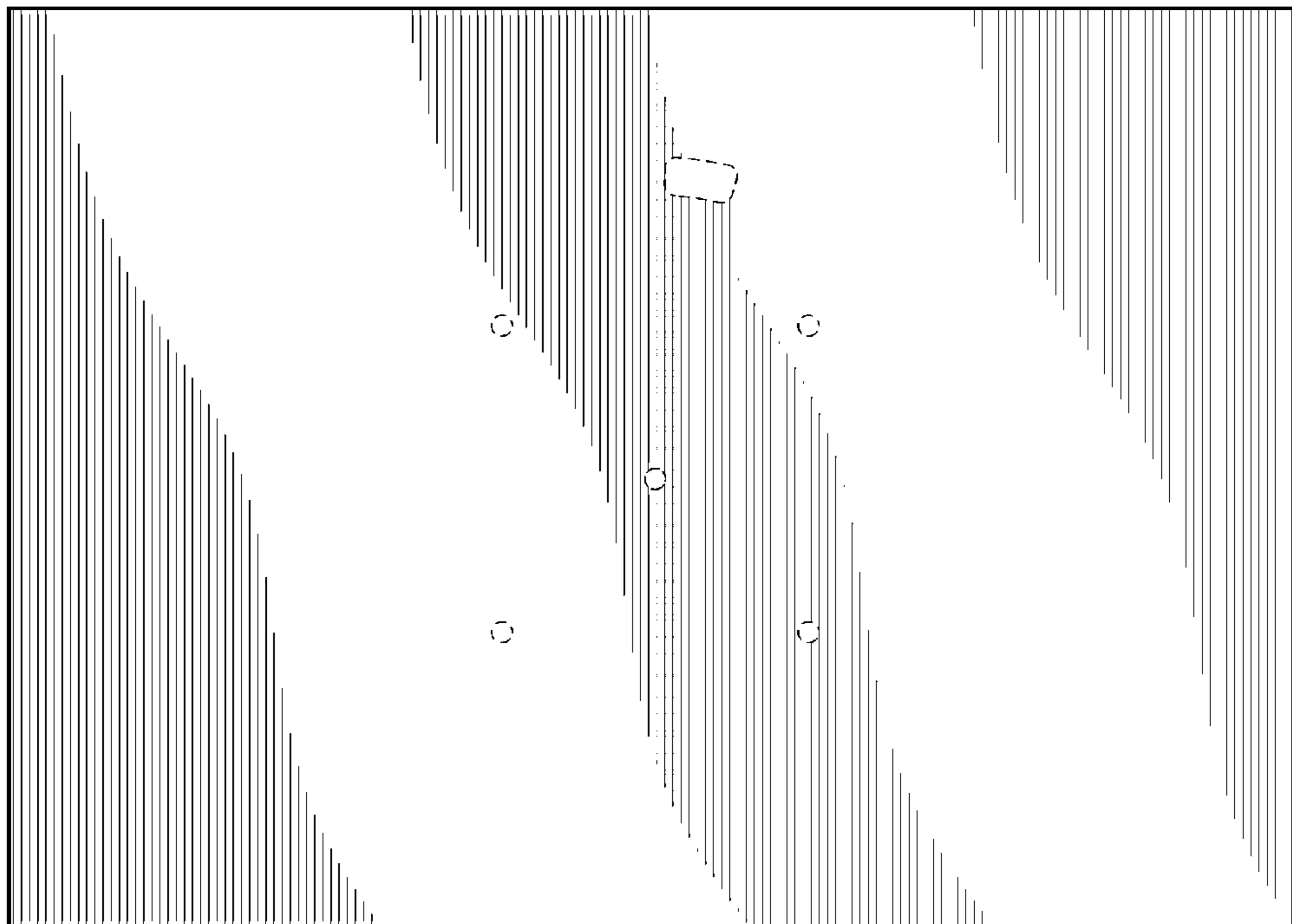


Fig. 5

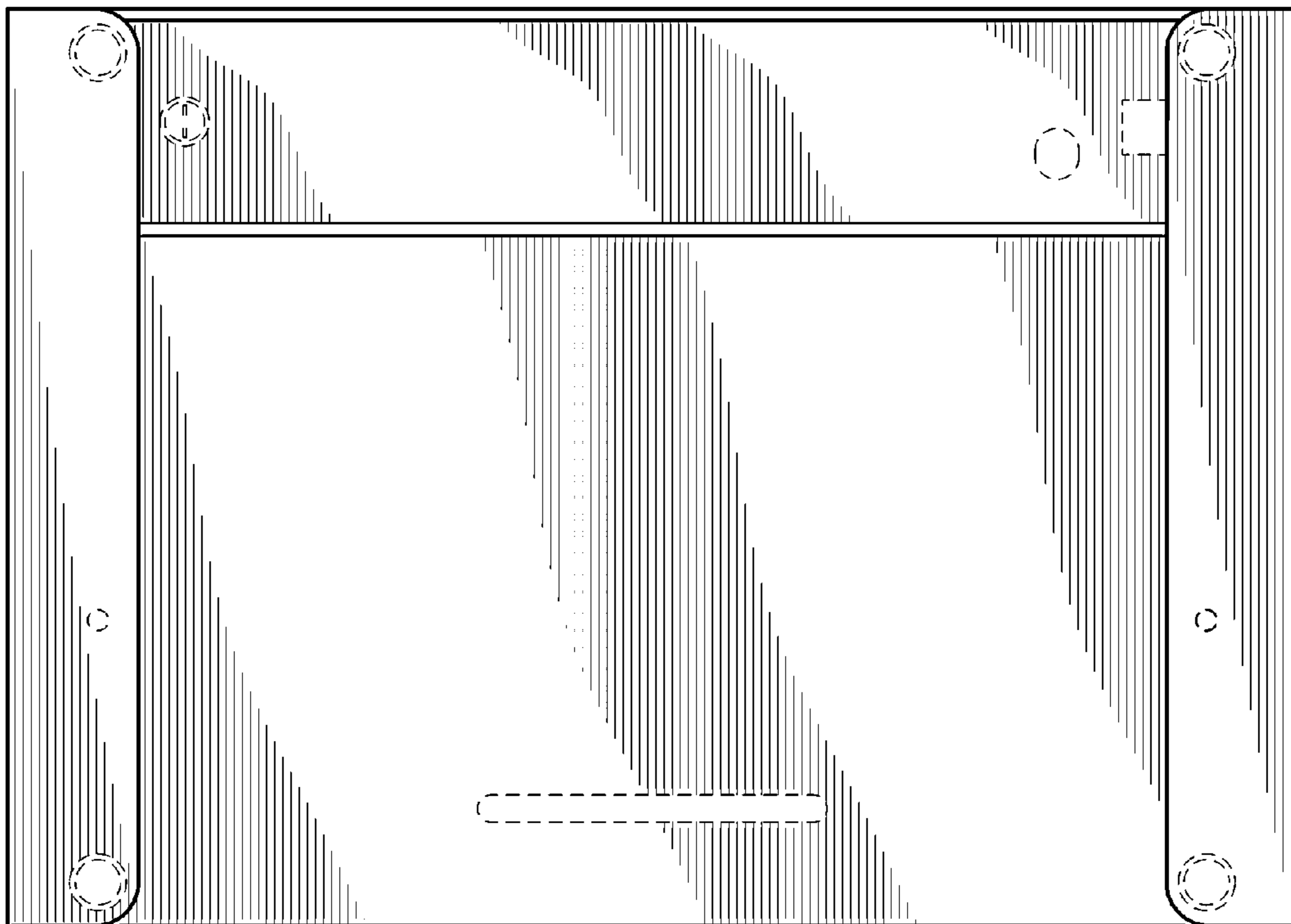


Fig. 6

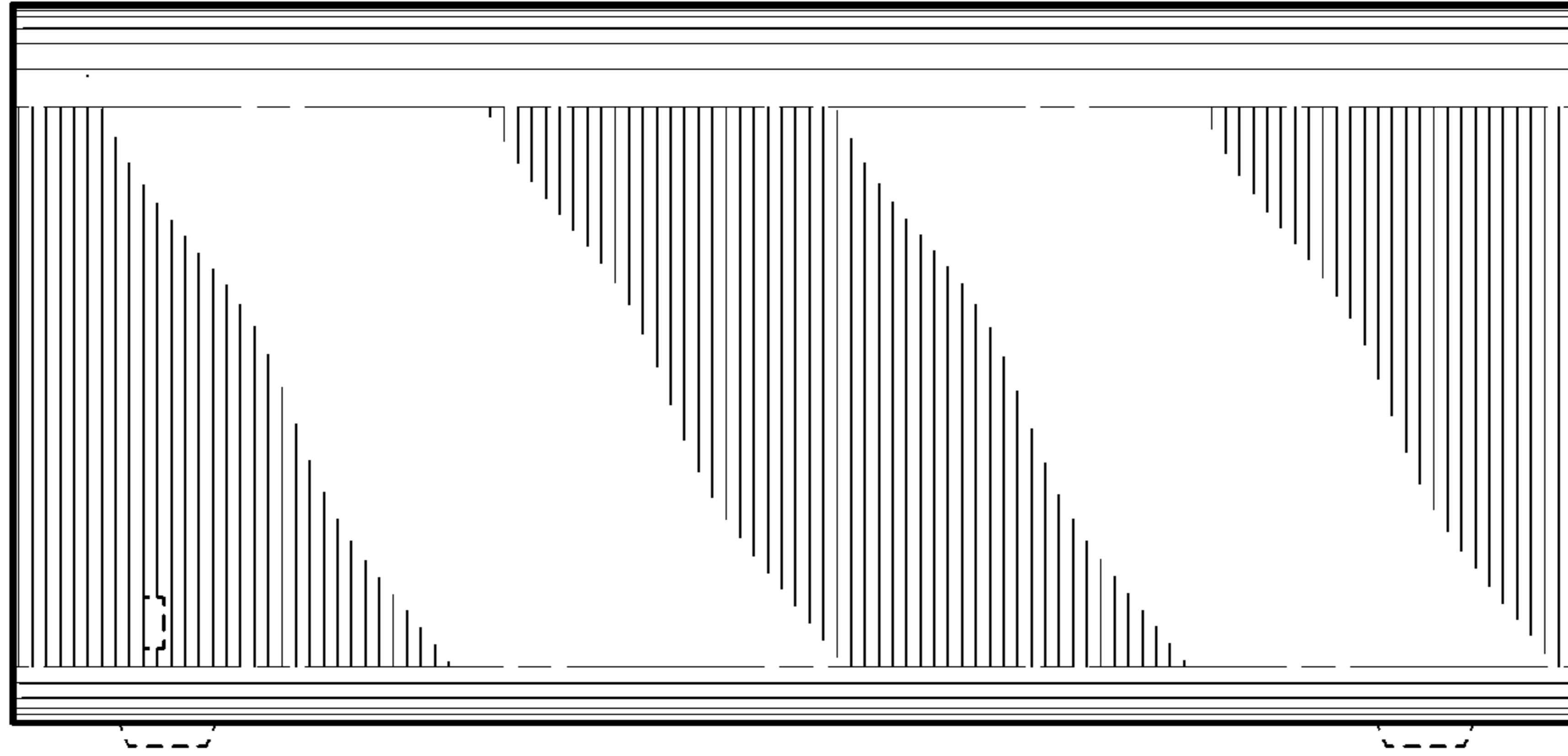


Fig. 7

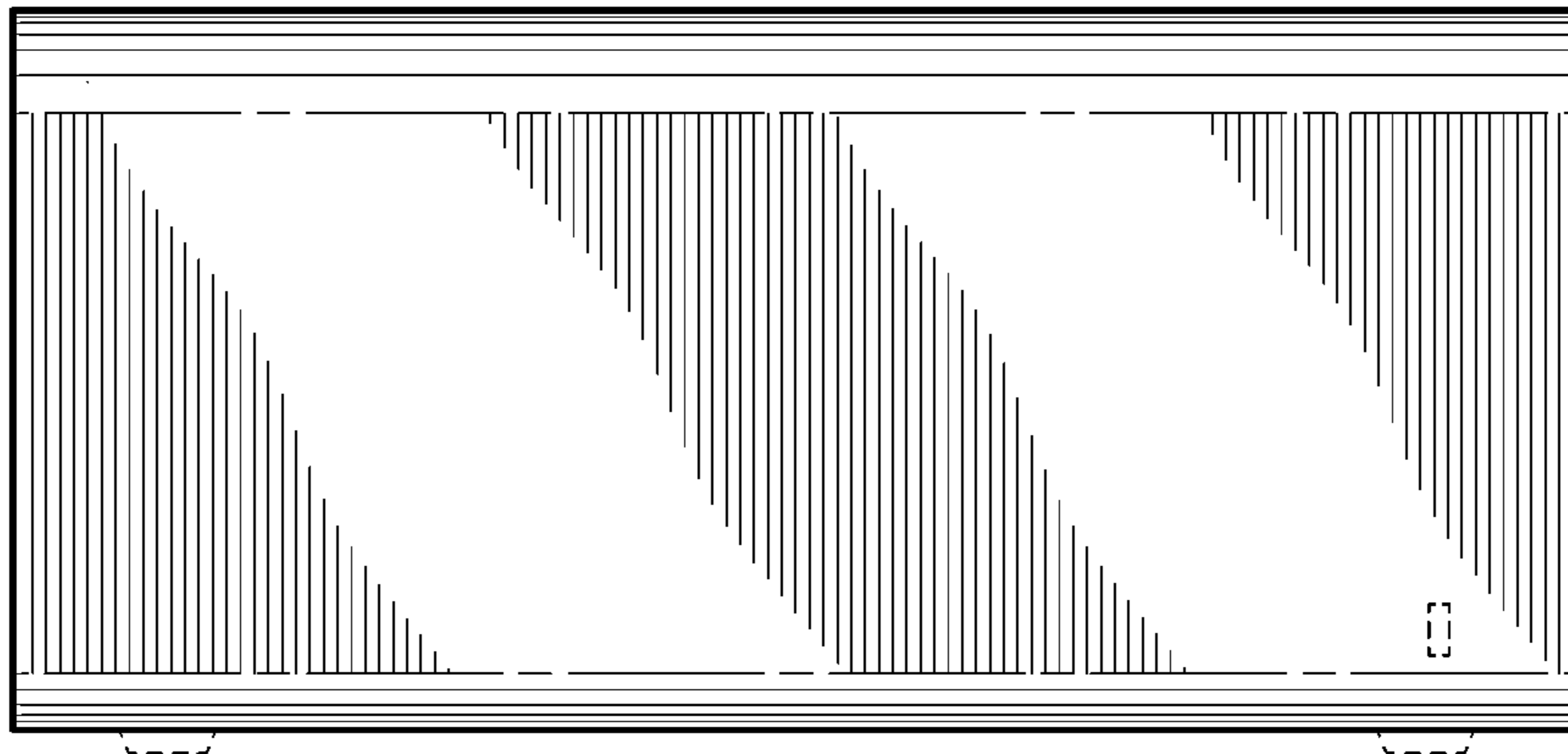


Fig. 8

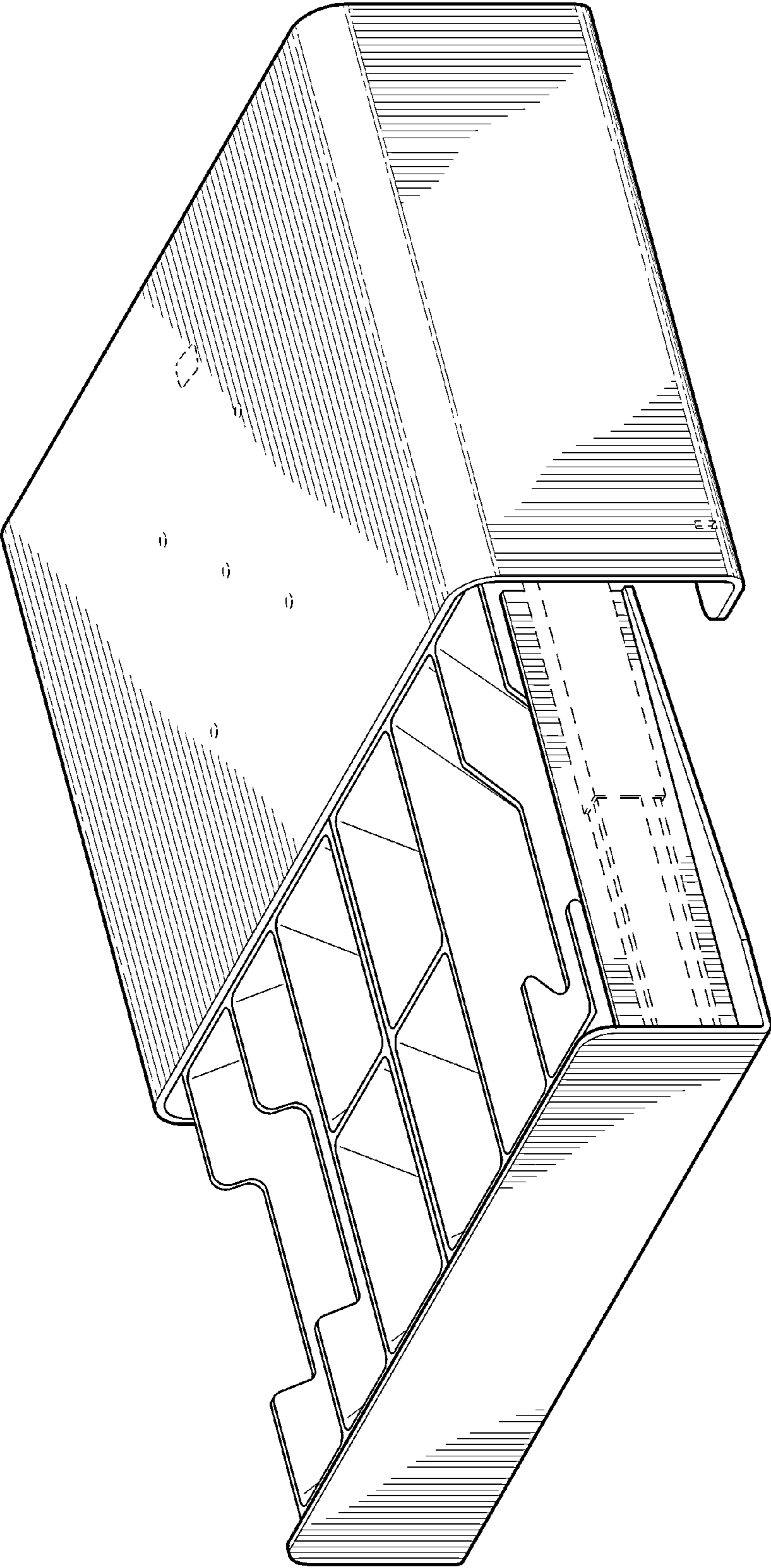


Fig. 9