



US00D720393S

(12) **United States Design Patent**
Held

(10) **Patent No.:** **US D720,393 S**

(45) **Date of Patent:** **** Dec. 30, 2014**

(54) **ELECTRONIC TERMINAL**

(71) Applicant: **Mettler-Toledo AG**, Greifensee (CH)

(72) Inventor: **Fred Held**, Hamburg (DE)

(73) Assignee: **Mettler-Toledo AG**, Greifensee (CH)

(**) Term: **14 Years**

(21) Appl. No.: **29/482,946**

(22) Filed: **Feb. 24, 2014**

(30) **Foreign Application Priority Data**

Aug. 28, 2013 (EM) 002298513

(51) **LOC (10) Cl.** **18-01**

(52) **U.S. Cl.**
USPC **D18/4.4**

(58) **Field of Classification Search**
USPC D14/142, 144, 146, 147, 148, 356, 357,
D14/358, 371, 376, 382, 383, 385, 386, 387,
D14/388, 389, 390; D18/1, 3.1, 3.2, 3.3,
D18/4.4, 4.6, 6, 7, 11, 12, 12.1, 12.2, 12.3;
D19/9, 10; D21/324, 329, 333, 369,
D21/371, 377, 379, 392; D99/28, 29, 30,
D99/31, 34, 35, 36, 43; 235/2, 4, 7 R, 12, 22,
235/33, 58 R, 59 R, 61 R, 375, 379, 380,
235/385, 386, 439, 441, 451, 492; 186/37;
361/679.3; 705/14.65, 15, 16, 17, 22,
705/25

See application file for complete search history.

(56) **References Cited**

U.S. PATENT DOCUMENTS

D362,239	S	*	9/1995	Je	D18/4.6
D362,427	S	*	9/1995	Mizusugi et al.	D18/4.4
D385,903	S	*	11/1997	Kim	D18/4.4
D468,735	S	*	1/2003	Landerholm et al.	D14/336
D528,146	S	*	9/2006	Fitch	D18/4.4
D585,056	S	*	1/2009	Ekelund	D14/336
D673,952	S	*	1/2013	Toda et al.	D14/383
D687,431	S	*	8/2013	Landis et al.	D14/336
D690,692	S	*	10/2013	Shin	D14/341
D697,910	S	*	1/2014	Bianco et al.	D14/336
D712,407	S	*	9/2014	Chang	D14/389

* cited by examiner

Primary Examiner — Eric Goodman

Assistant Examiner — Amy Wierenga

(74) *Attorney, Agent, or Firm* — Standley Law Group LLP

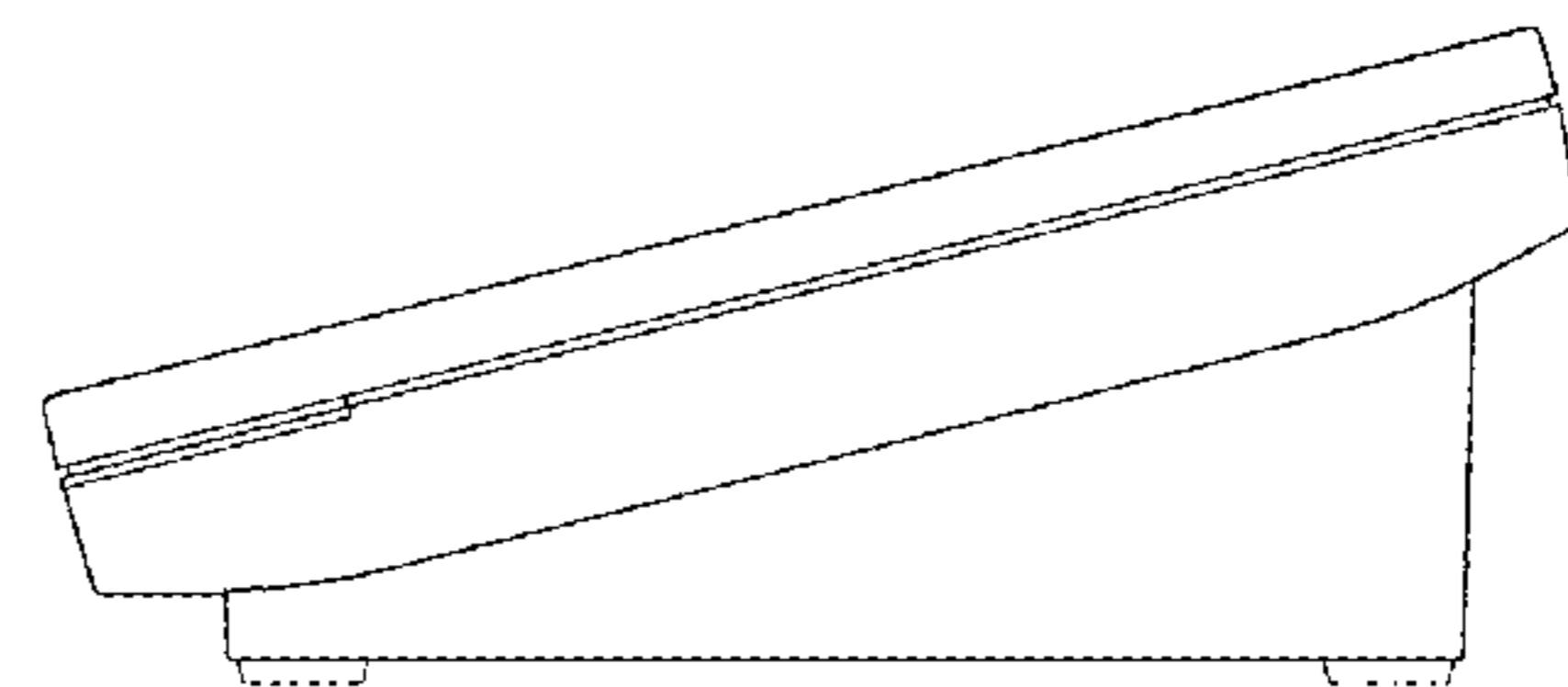
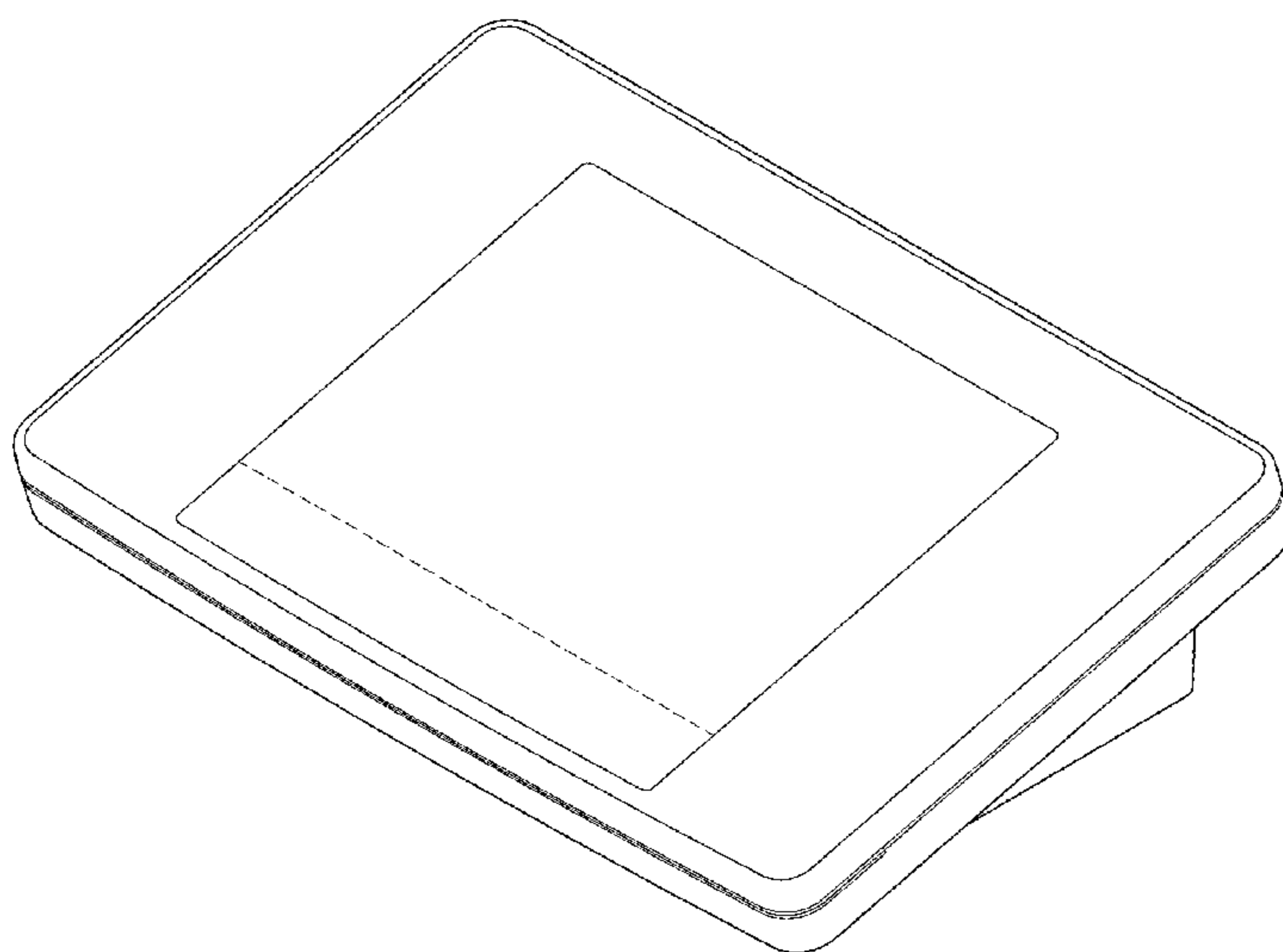
(57) **CLAIM**

The ornamental design for an electronic terminal, as shown and described.

DESCRIPTION

FIG. 1 is a front perspective view of the electronic terminal; FIG. 2 is a left side elevation view of the FIG. 1 device; FIG. 3 is a top plan view of the FIG. 1 device; FIG. 4 is a right side elevation view of the FIG. 1 device; FIG. 5 is a rear elevation view of the FIG. 1 device; FIG. 6 is a front elevation view of the FIG. 1 device; and, FIG. 7 is a bottom plan view of the FIG. 1 device. The broken lines are for environmental purposes only and form no part of the claimed design.

1 Claim, 7 Drawing Sheets



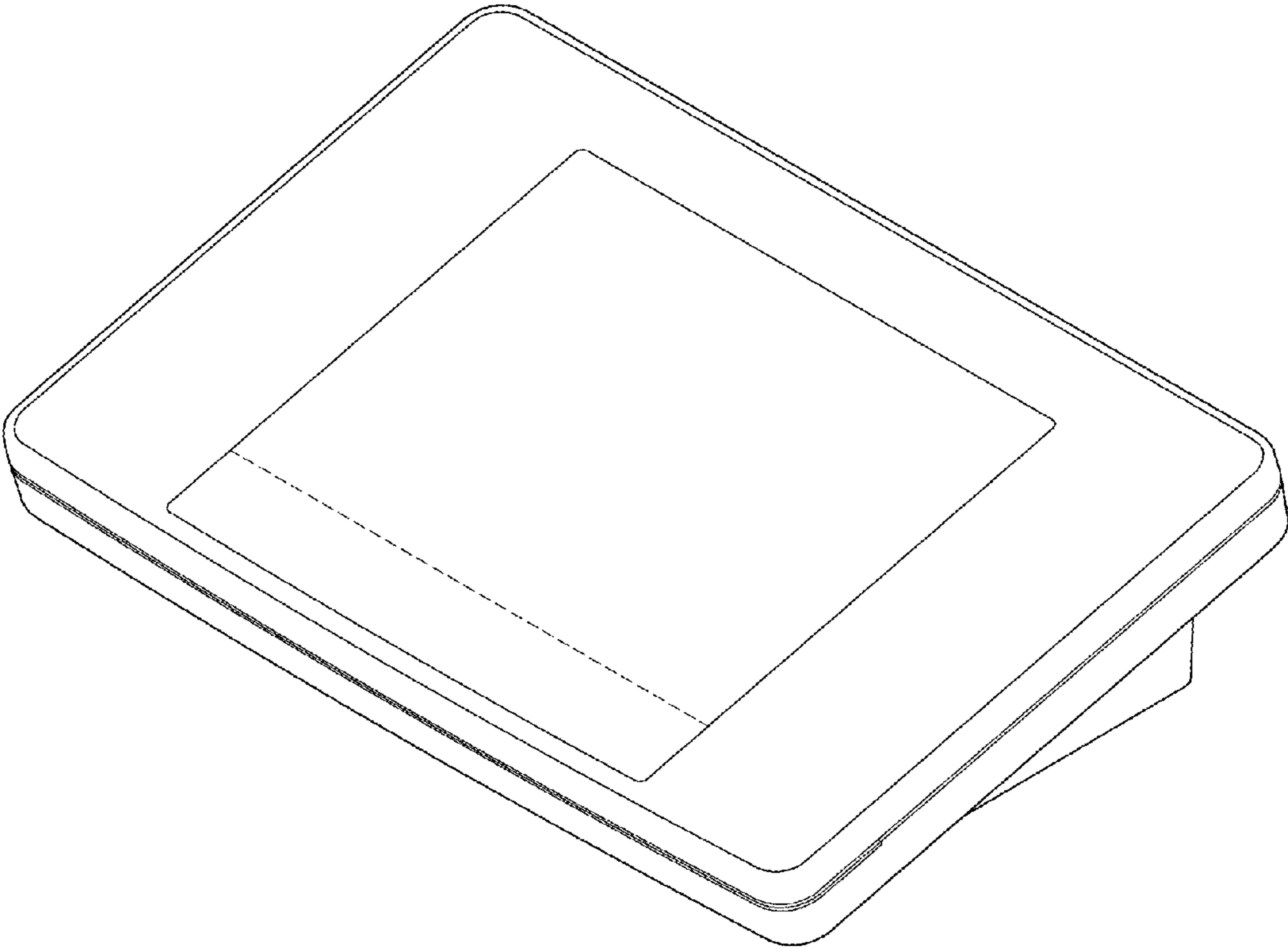


Fig. 1

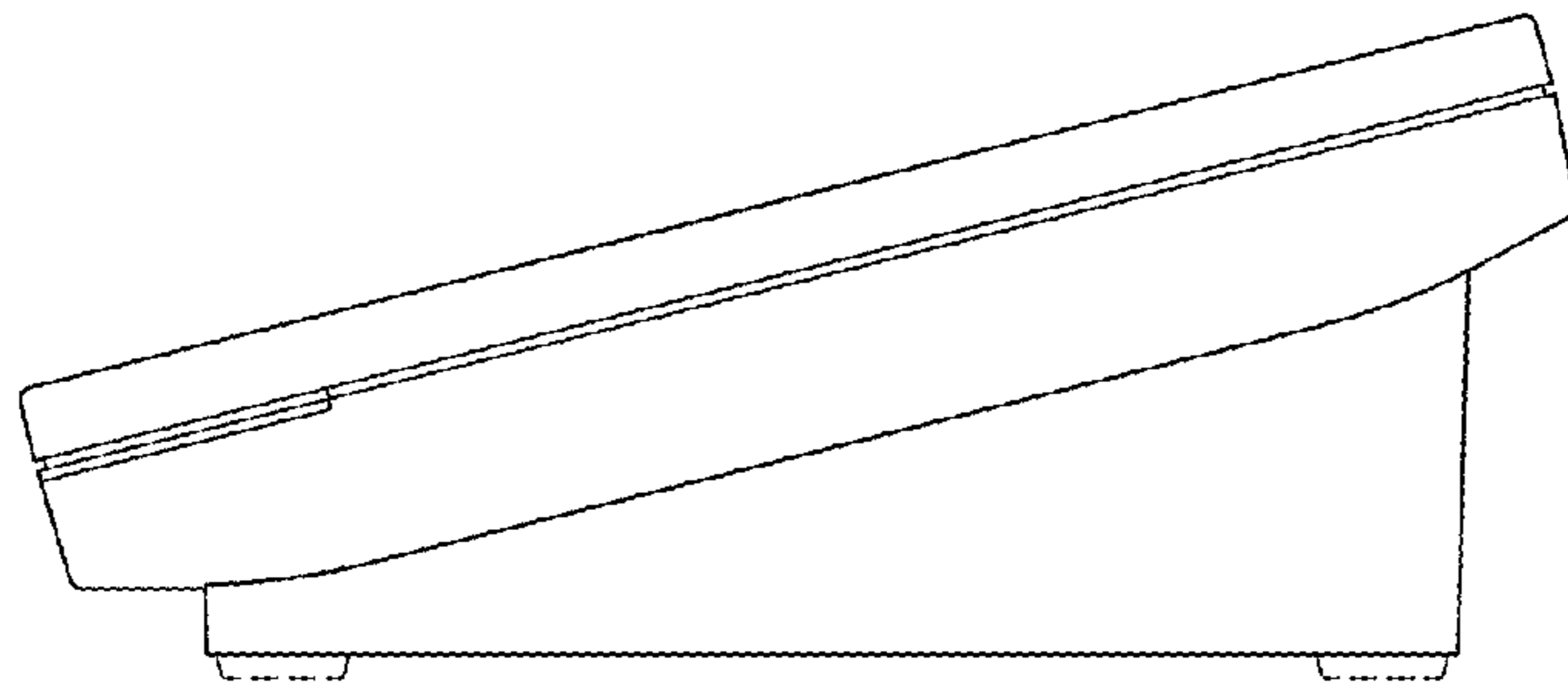


Fig. 2

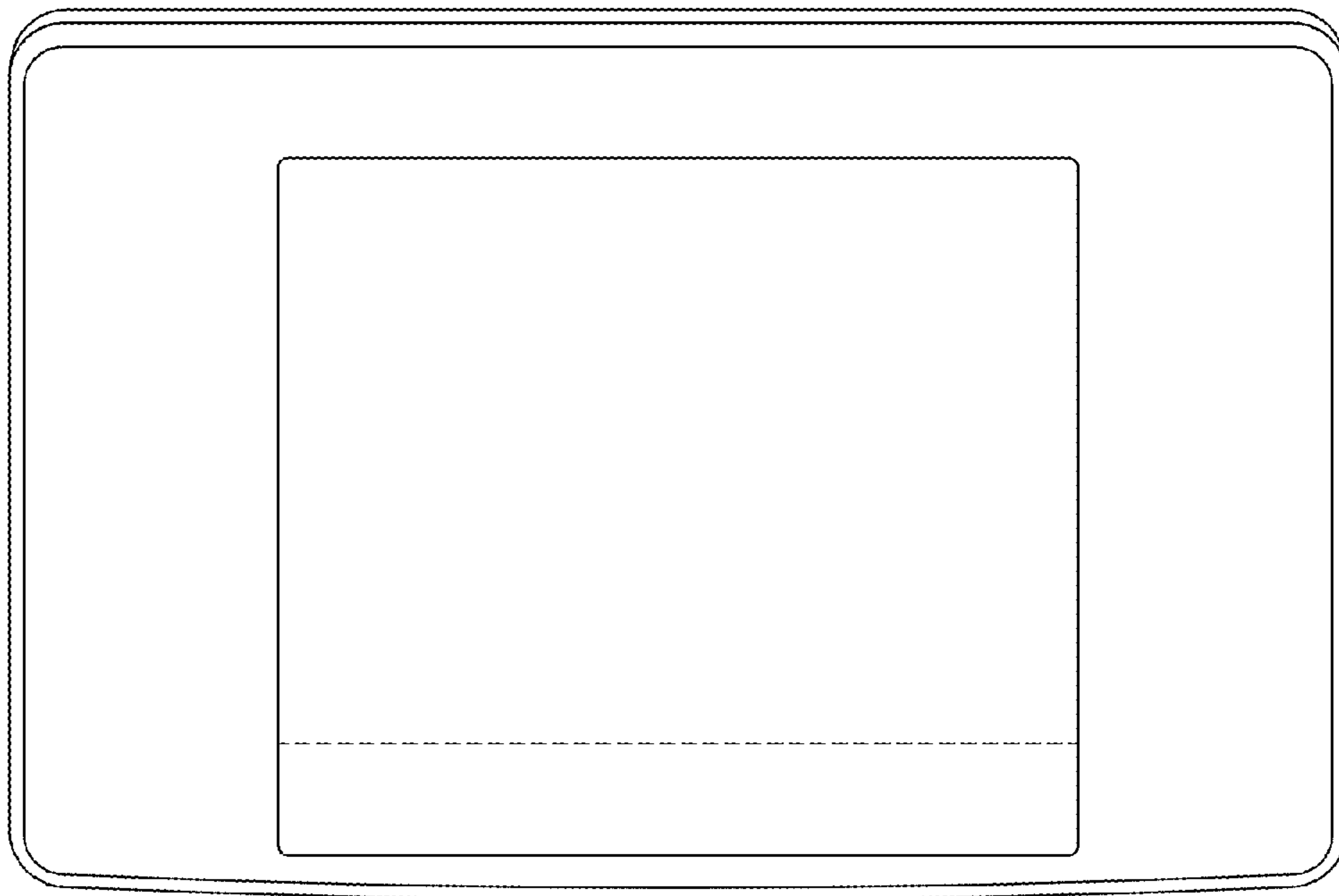


Fig. 3

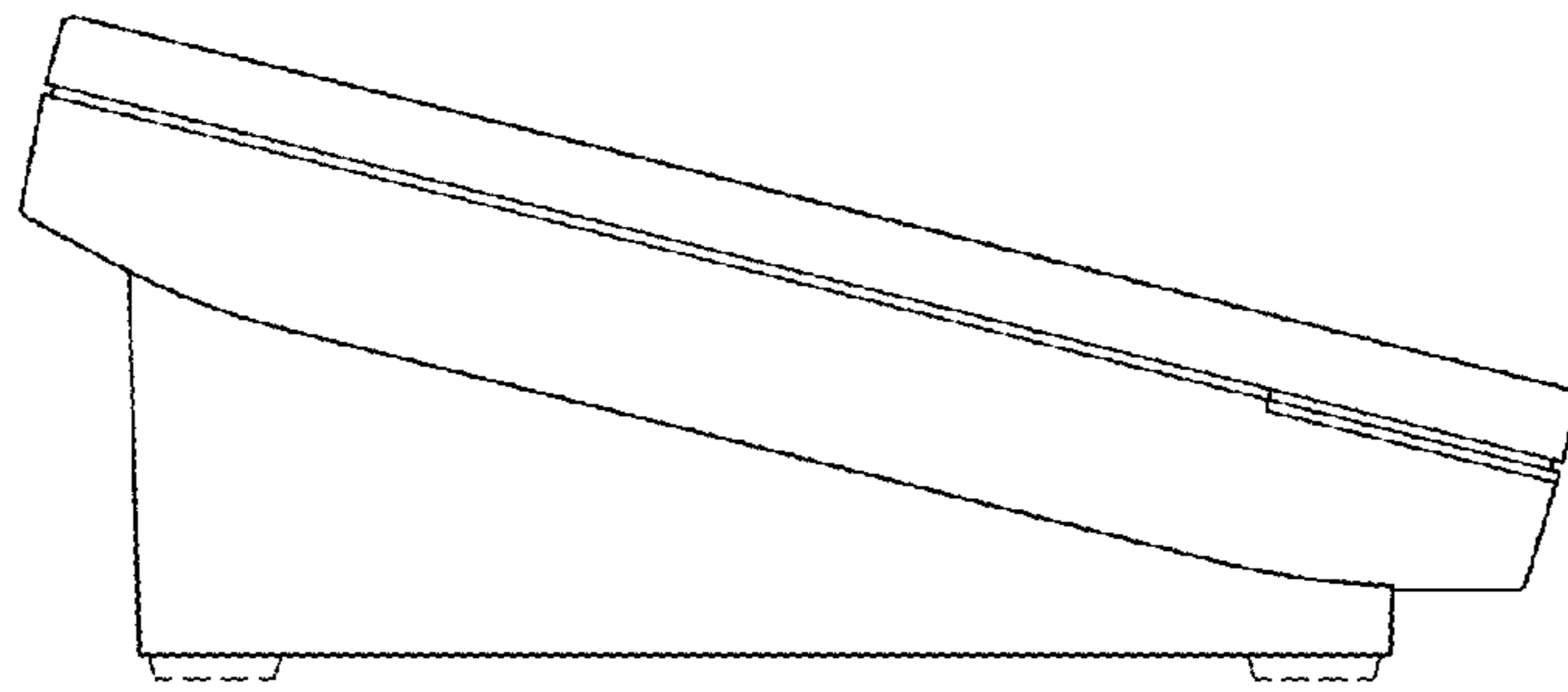


Fig. 4

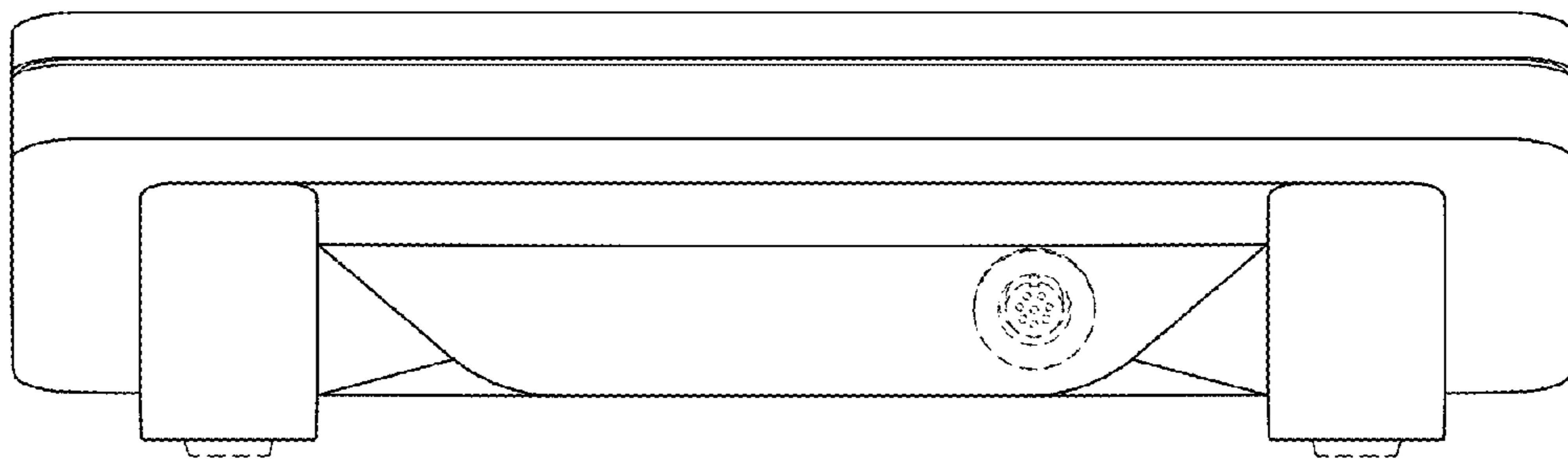


Fig. 5

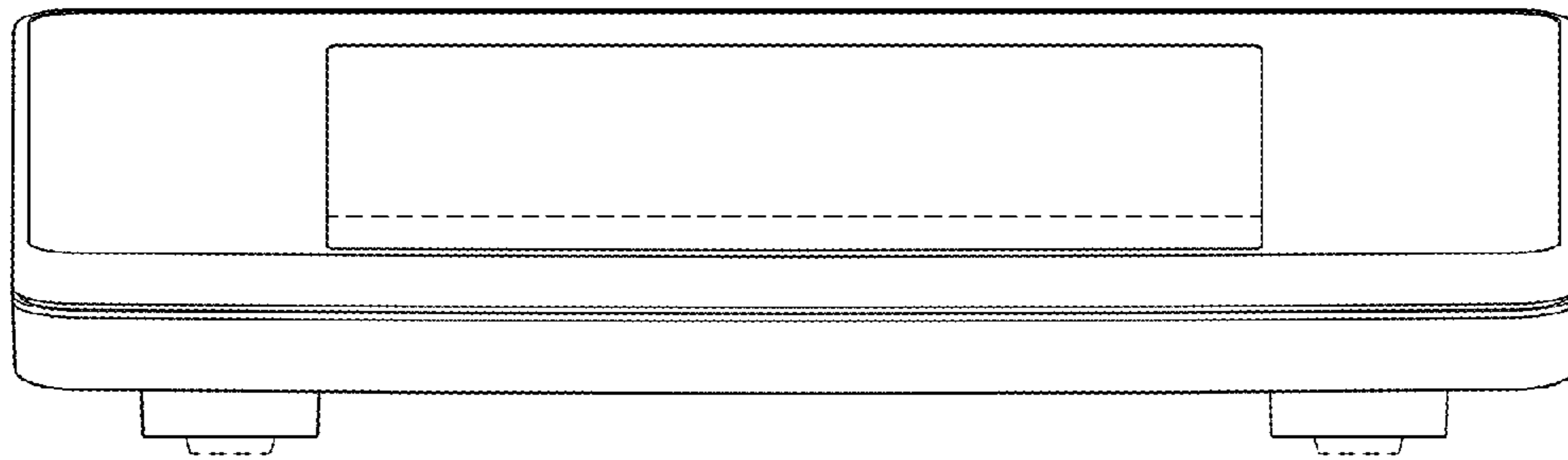


Fig. 6

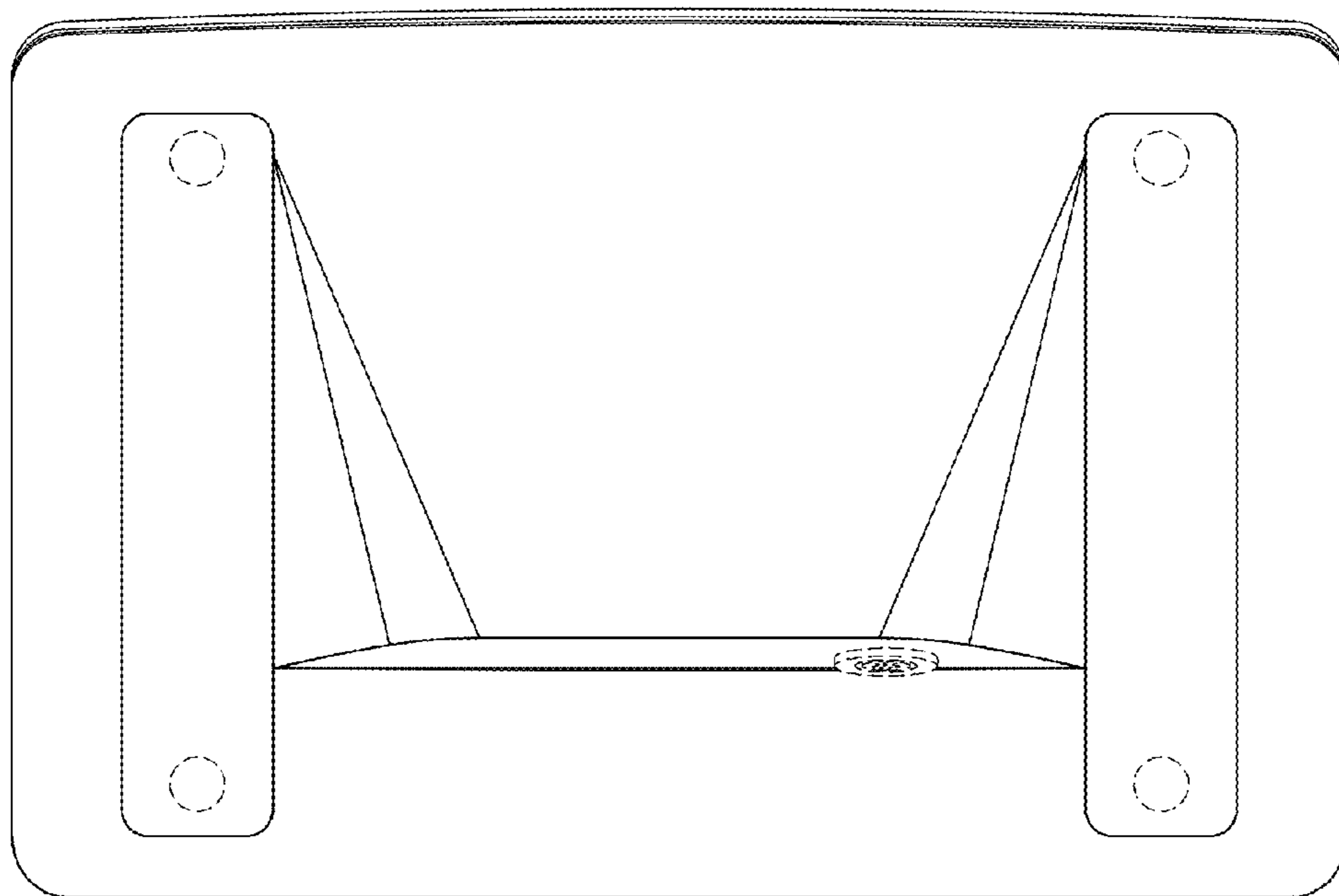


Fig. 7