



US00D720390S

(12) **United States Design Patent**
Hudson

(10) **Patent No.:** **US D720,390 S**

(45) **Date of Patent:** **** Dec. 30, 2014**

(54) **LUG**

(75) **Inventor:** **Nick Hudson**, Leicestershire (GB)

(73) **Assignee:** **Marshall Amplification PLC**,
Buckinghamshire (GB)

(**) **Term:** **14 Years**

(21) **Appl. No.:** **29/392,724**

(22) **Filed:** **May 25, 2011**

(51) **LOC (10) Cl.** **17-04**

(52) **U.S. Cl.**
USPC **D17/22**

(58) **Field of Classification Search**
USPC D17/22, 99; 84/411 R, 415, 146, 147
See application file for complete search history.

(56) **References Cited**

U.S. PATENT DOCUMENTS

3,981,220	A *	9/1976	Clark	84/415
4,158,980	A *	6/1979	Gauger	84/421
D270,167	S *	8/1983	Hoey	D17/22
D310,538	S *	9/1990	Yanagisawa	D17/22
D353,612	S *	12/1994	Yanagisawa	D17/22
5,377,576	A *	1/1995	Good et al.	84/411
5,520,083	A *	5/1996	Falkner, Jr.	84/421
5,616,875	A *	4/1997	Lombardi	84/415
D408,436	S *	4/1999	Lombardi	D17/22
6,222,107	B1 *	4/2001	Lo	84/421
6,242,680	B1 *	6/2001	Benton, Jr.	84/411 R
D447,508	S *	9/2001	Chen	D17/22
D453,178	S *	1/2002	Reyes	D17/22
D464,986	S *	10/2002	Hagiwara	D17/22
D489,751	S *	5/2004	Liao	D17/22
D490,838	S *	6/2004	Liao	D17/22
D492,342	S *	6/2004	Kamijima et al.	D17/22
D497,935	S *	11/2004	Kamijima et al.	D17/22
D516,116	S *	2/2006	Webb	D17/22
D534,575	S *	1/2007	Hsieh	D17/22
D580,477	S *	11/2008	Sikra et al.	D17/22

7,501,567	B1 *	3/2009	Spinazzola	84/411 R
7,700,864	B1 *	4/2010	Sikra	84/413
D621,869	S *	8/2010	Rockett	D17/22
7,960,633	B1 *	6/2011	Chen	84/413
D648,775	S *	11/2011	Rockett	D17/22
D679,744	S *	4/2013	Hudson	D17/22

OTHER PUBLICATIONS

U.S. Appl. No. 29/392,722, filed May 25, 2011.
U.S. Trademark Registration No. 2,150,216, registered Apr. 14, 1998.
Early 1970s Camco Aristocrat Snare Drum. Retrieved from the Internet: <URL: http://www.classicvintagedrums.com/index.php?main_page=product_info&cPath=66_111&products_id=627>Publicly available before May 25, 2010.

(Continued)

Primary Examiner — Ian Simmons
Assistant Examiner — Carissa C Fitts
(74) *Attorney, Agent, or Firm* — Marshall, Gerstein & Borun LLP

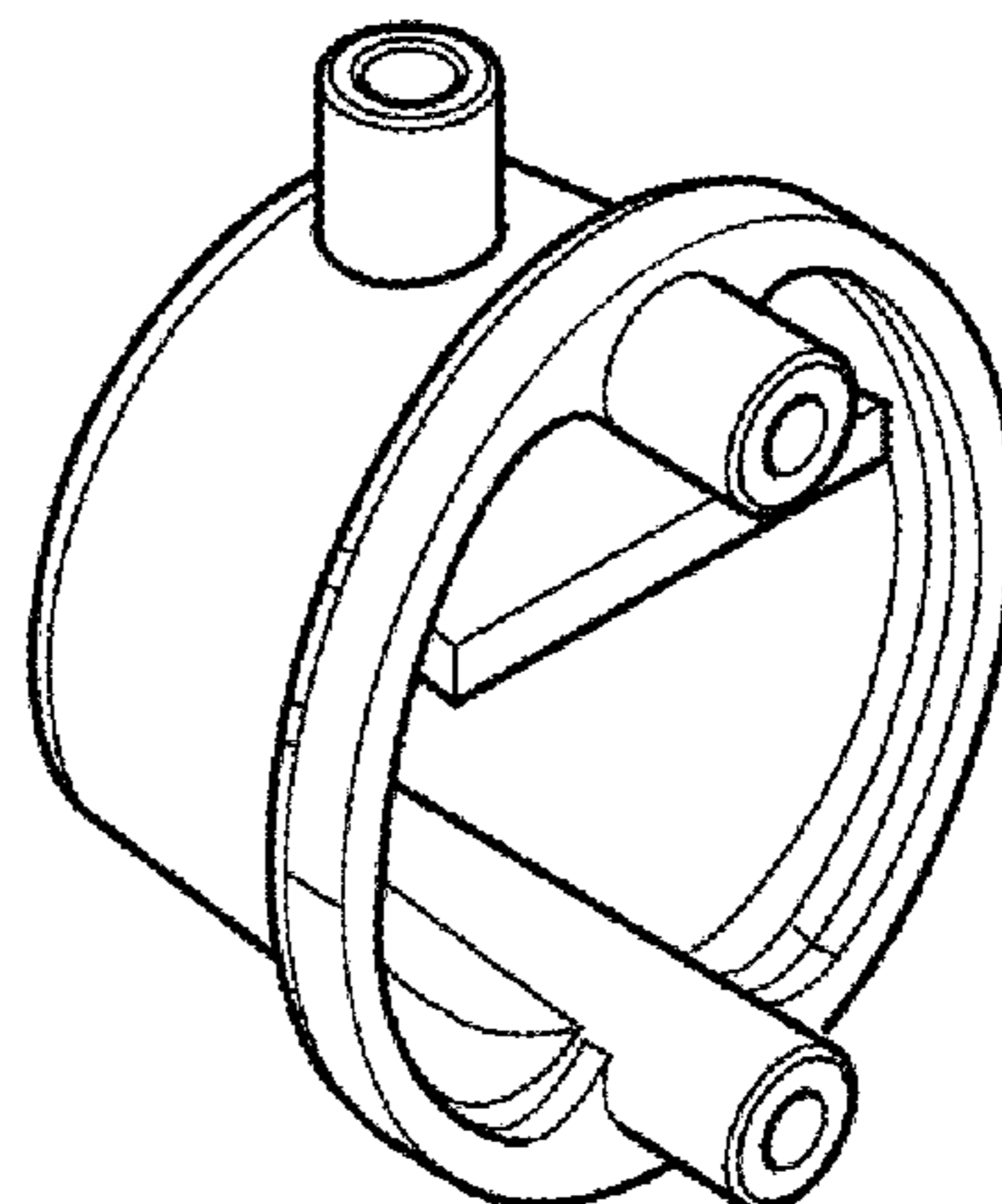
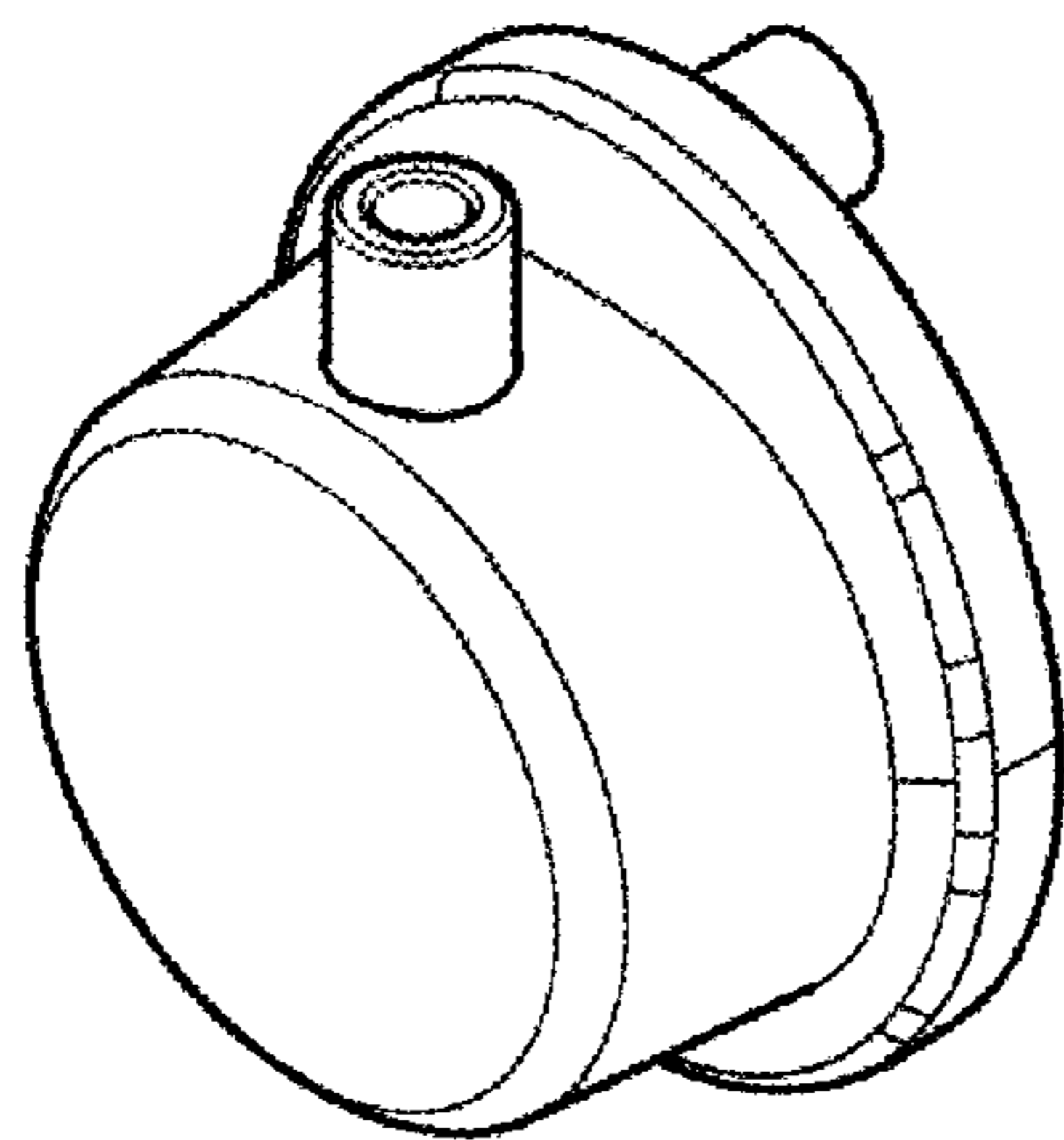
(57) **CLAIM**

The ornamental design for a lug, as shown and described.

DESCRIPTION

FIG. 1 is a front and right side perspective view showing our new design for a lug;
FIG. 2 is a rear and right side perspective view of the lug of FIG. 1;
FIG. 3 is a top plan view of the lug of FIG. 1;
FIG. 4 is a front view of the lug of FIG. 1;
FIG. 5 is a bottom plan view of the lug of FIG. 1;
FIG. 6 is a side view of the lug opposite side being a mirror image of FIG. 1; and,
FIG. 7 is a rear view of the lug of FIG. 1.
The broken line showing internal structure is for environmental purposes only and forms no part of the claimed design.

1 Claim, 3 Drawing Sheets



(56)

References Cited

OTHER PUBLICATIONS

Dixon Wooden Snare Drum. Retrieved from the Internet: <URL: <http://www.italmelodie.com/?section=item&itemID=148>>. Publicly available before May 25, 2010.

Mapex Drum. Retrieved from the Internet: <URL: <http://www.musicgearreview.com/article-display/1031.html>>. Publicly available before May 25, 2010.

Premier Genista Snare Drum. Retrieved from the Internet: <URL: <http://www.vintageolympic.co.uk/images/mysteries/>

[Rare%20OBSP%20Genista%20snare.jpg](#)>. Publicly available before May 25, 2010.

DW Drums Collector's Series. Retrieved from the Internet: <URL: <http://www.dwdrums.com/drums/collectors/>>. Publicly available before May 25, 2010.

File history for U.S. Trademark registration No. 2,150,216, publicly available before Oct. 16, 2010.

* cited by examiner

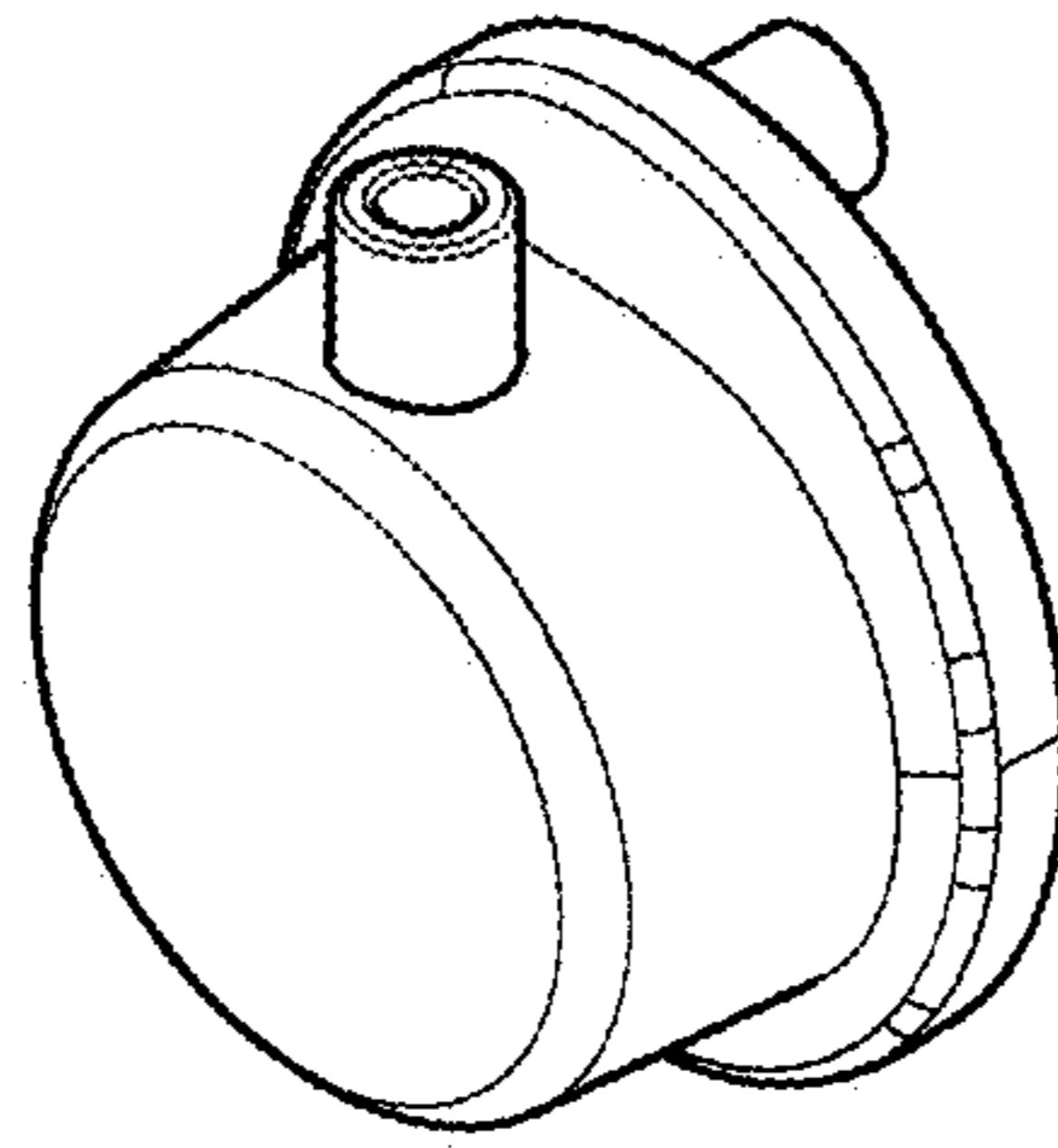


FIG. 1

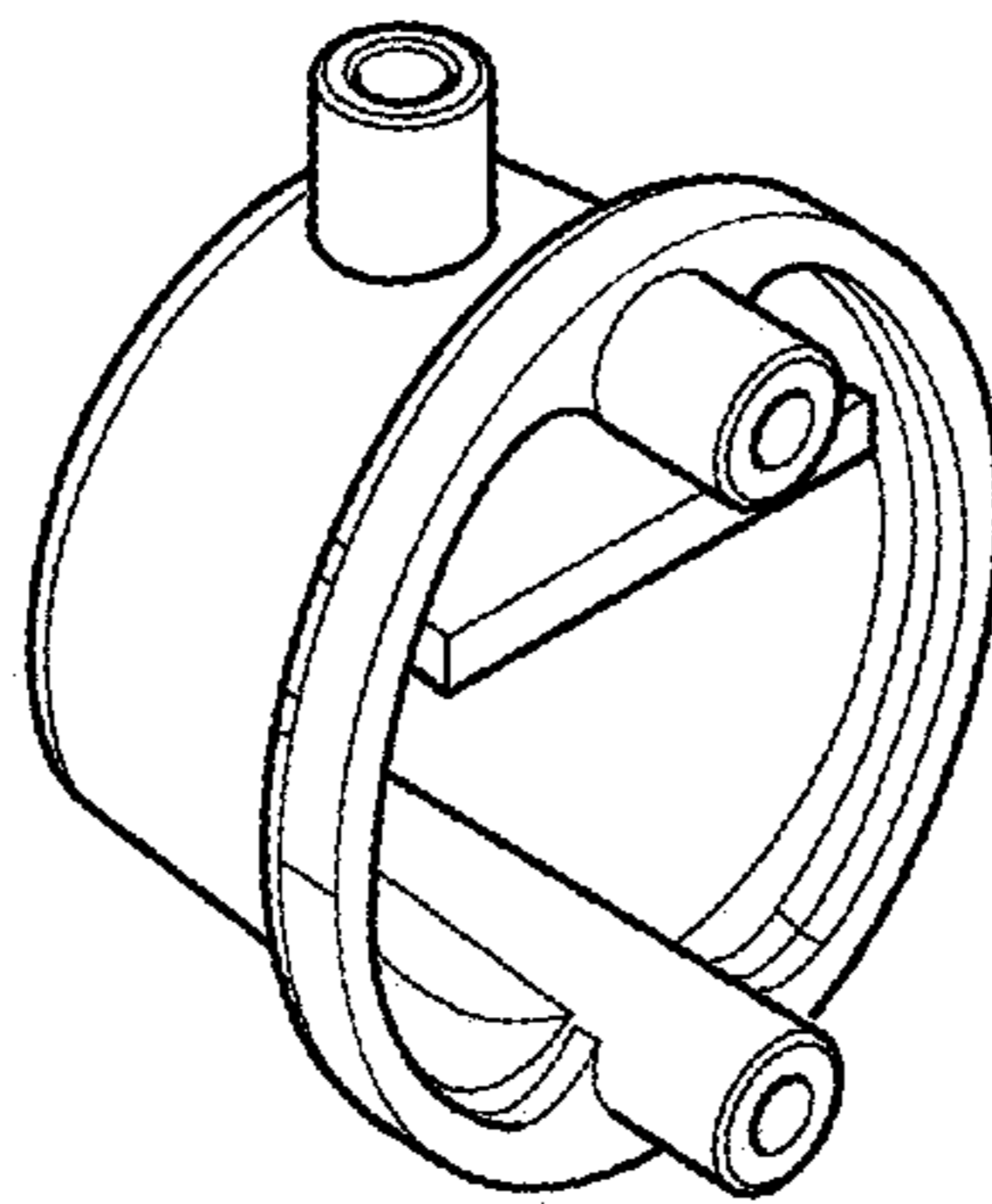


FIG. 2

Fig. 3

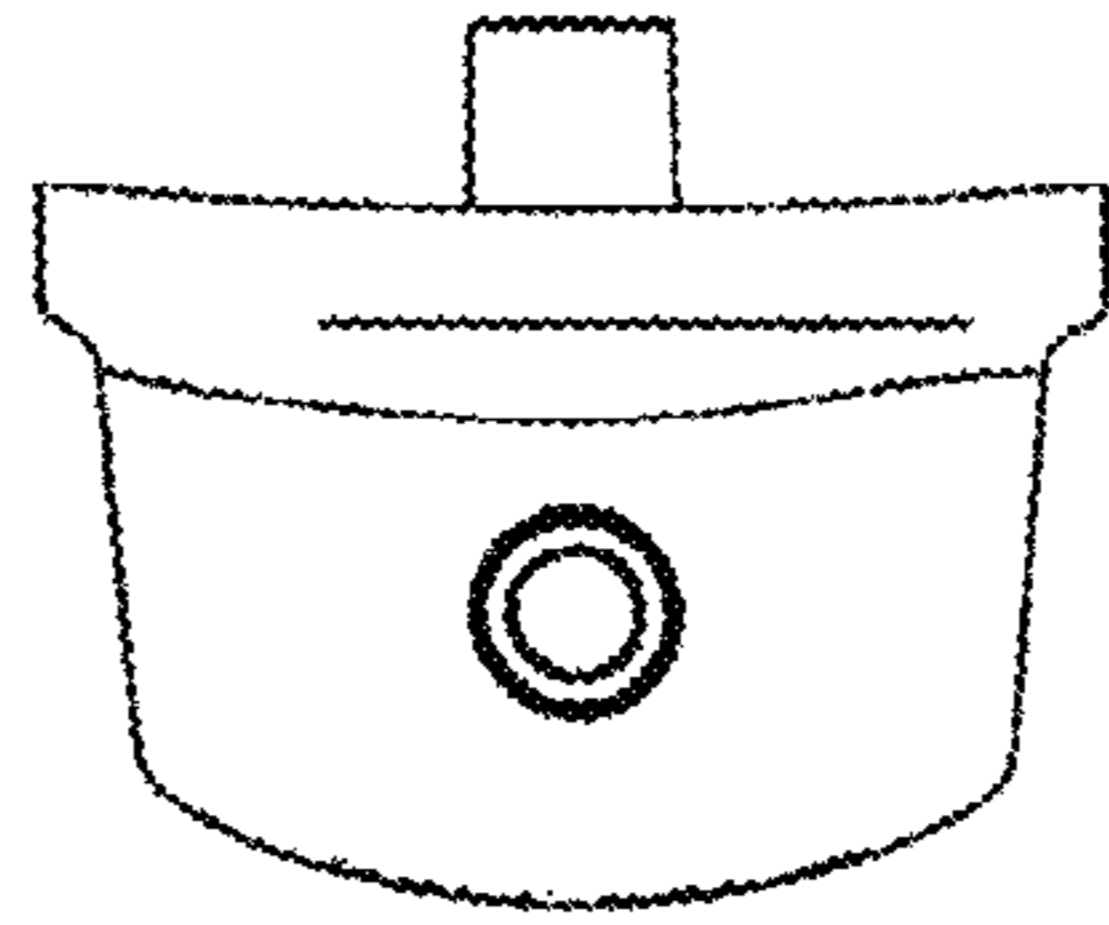


Fig. 4

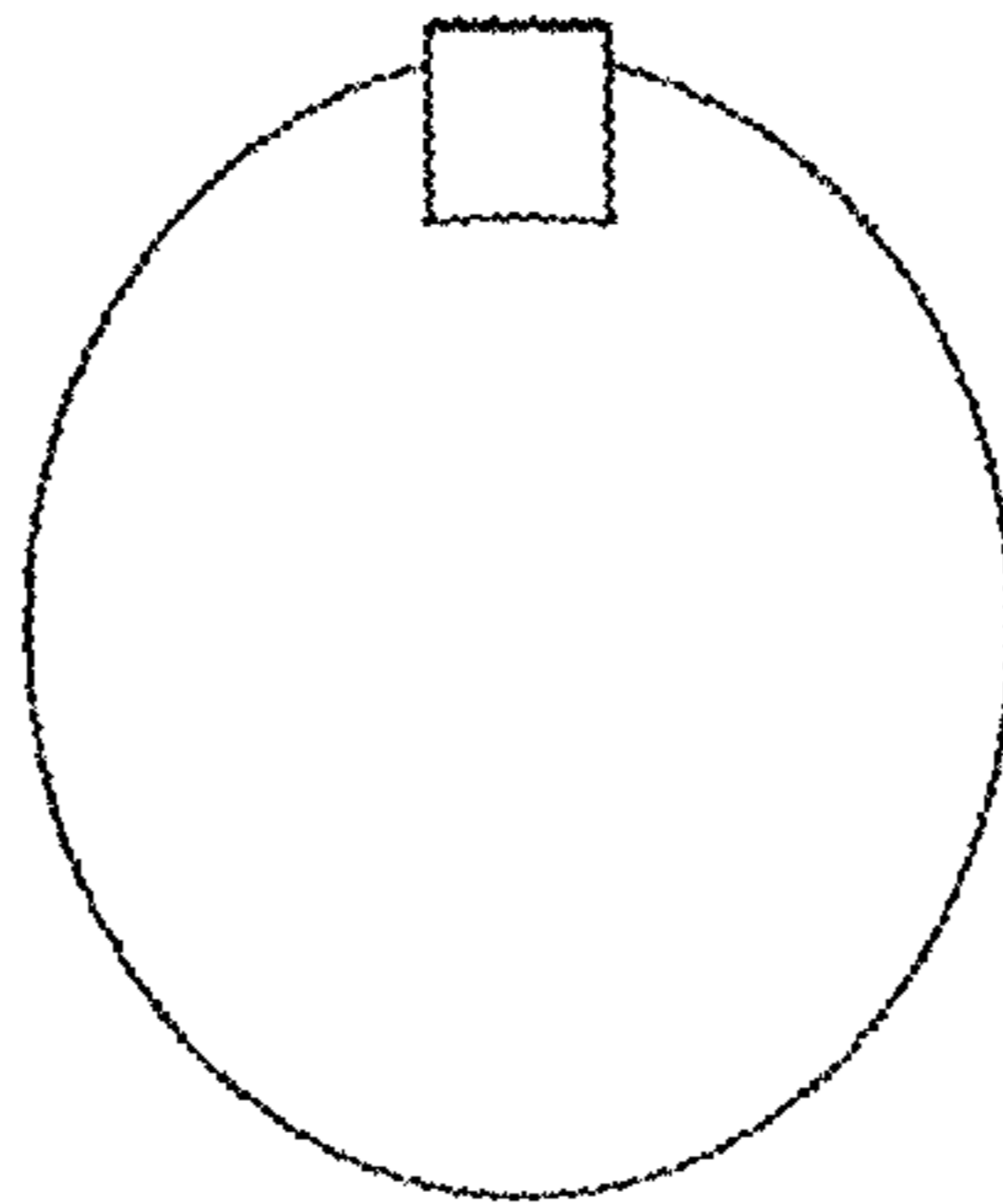


Fig. 5

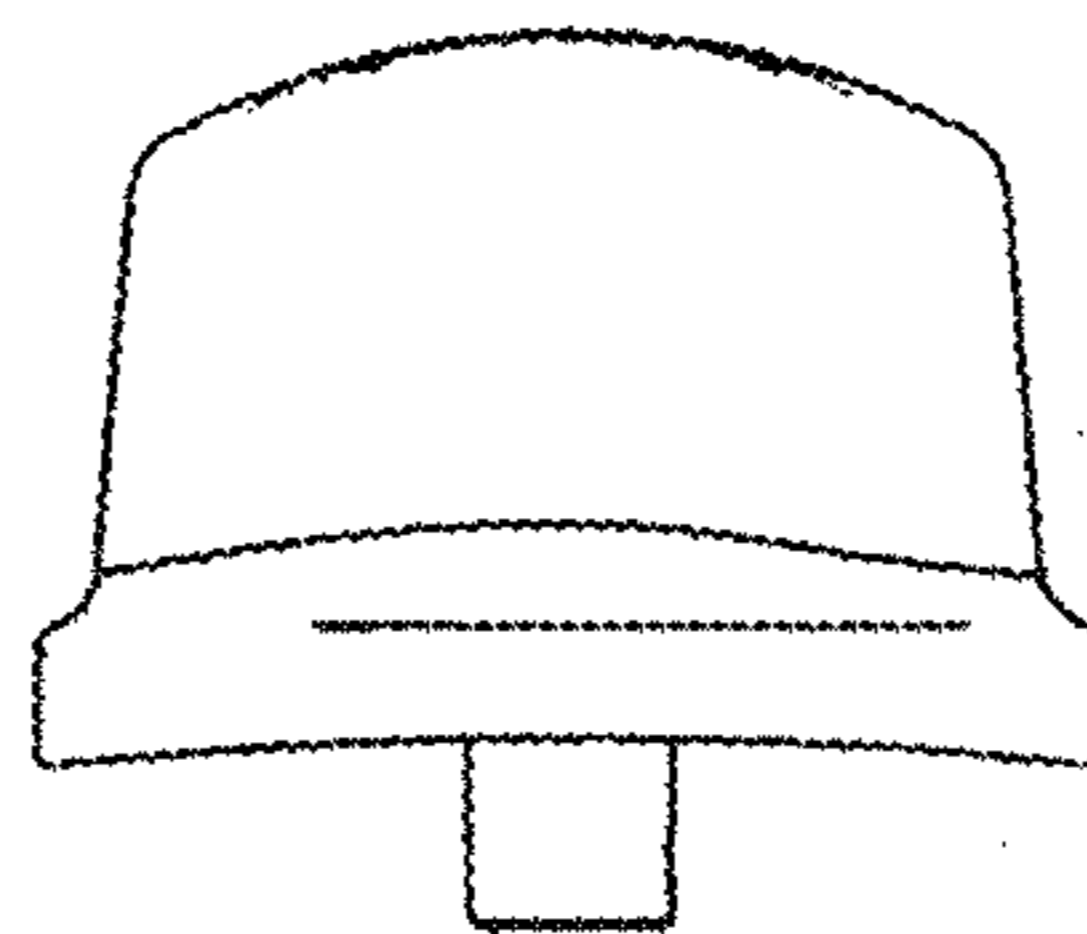


Fig. 6

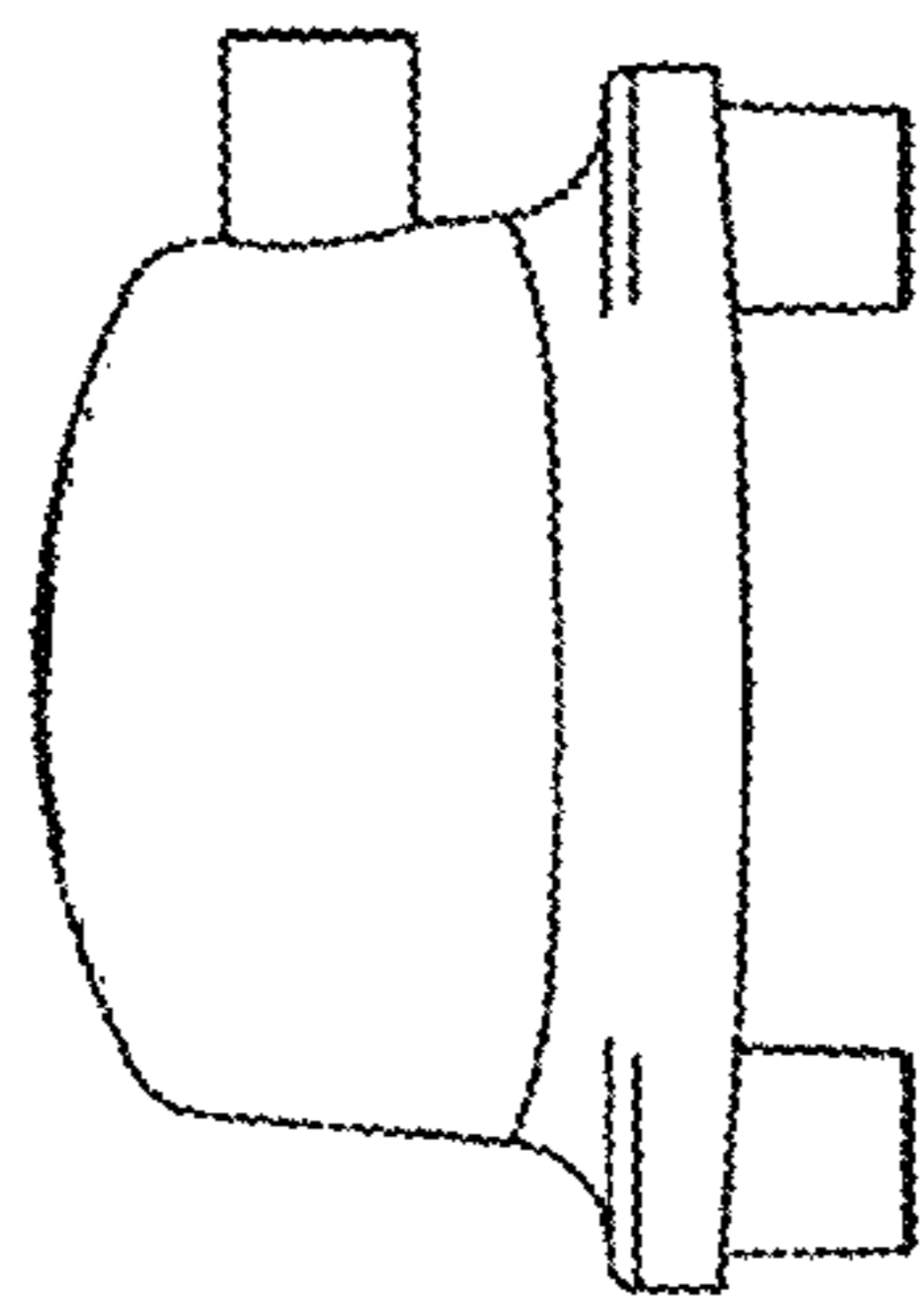


Fig. 7

