



US00D720389S

(12) **United States Design Patent**  
**Cazalet et al.**

(10) **Patent No.:** **US D720,389 S**

(45) **Date of Patent:** **\*\* Dec. 30, 2014**

(54) **PIVOTAL NOSE PAD**

(71) Applicant: **Google Inc.**, Mountain View, CA (US)

(72) Inventors: **Peter Michael Cazalet**, Campbell, CA (US); **Maj Isabelle Olsson**, San Francisco, CA (US)

(73) Assignee: **Google Inc.**, Mountain View, CA (US)

(\*\*) Term: **14 Years**

(21) Appl. No.: **29/476,397**

(22) Filed: **Dec. 13, 2013**

(51) **LOC (10) Cl.** ..... **16-06**

(52) **U.S. Cl.**  
USPC ..... **D16/333**

(58) **Field of Classification Search**

CPC ..... G02C 5/126; G02C 5/12; A61F 9/026  
USPC ..... D16/320, 333, 332, 325, 326, 328, 321,  
D16/318, 310, 309, 306, 300, 335, 334, 136,  
D16/330, 336, 338, 340, 341, 339, 327, 323,  
D16/303, 329, 301; 24/58; D11/82, 49, 57,  
D11/58, 239, 224, 208, 133, 95, 33; 2/12,  
2/442, 445, 447; 351/124, 69, 41, 137,  
351/138, 139, 131, 132, 136, 65, 76, 78, 79,  
351/87, 88; D3/219; D20/22, 40; D5/63,  
D5/56; D8/19

See application file for complete search history.

(56) **References Cited**

**U.S. PATENT DOCUMENTS**

1,439,741 A \* 12/1922 McDonell ..... 351/83  
1,440,439 A \* 1/1923 Bertram ..... 351/88

(Continued)

**OTHER PUBLICATIONS**

“13mm Transparent Blue silicone nose pads”, retrieved on Nov. 1, 2013 from <http://stores.nosepadding.com/-strse-266/green-silicone-nose-pads/Detail.bok>.

(Continued)

*Primary Examiner* — Robert M Spear

(74) *Attorney, Agent, or Firm* — Lerner, David, Littenberg, Krumholz & Mentlik, LLP

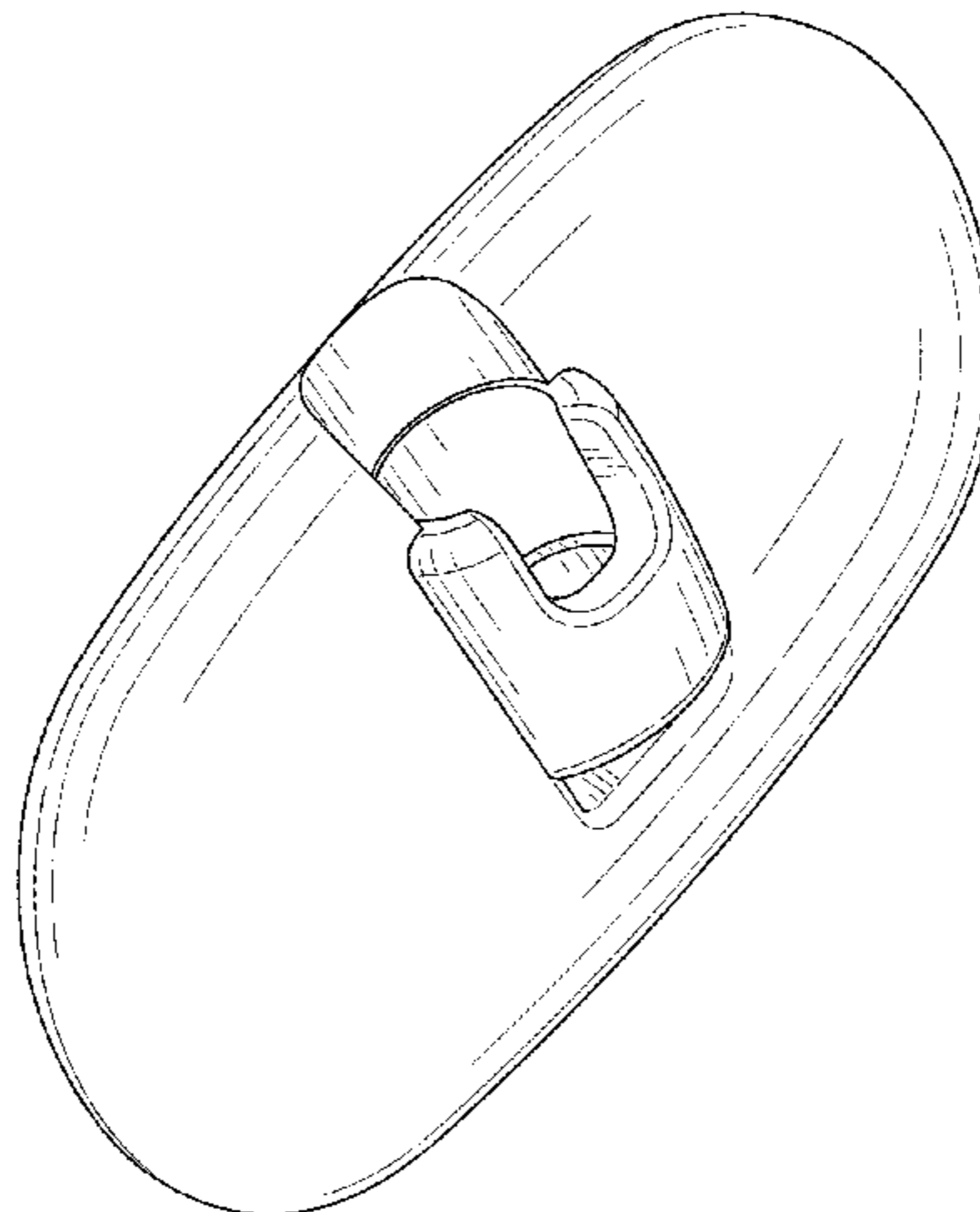
(57) **CLAIM**

The ornamental designs for a pivotal nose pad, as shown and described.

**DESCRIPTION**

FIG. 1 is a first perspective view of a pivotal nose pad shown in a first embodiment;  
FIG. 2 is a second perspective view of the pivotal nose pad of FIG. 1;  
FIG. 3 is a front elevation view of the pivotal nose pad of FIG. 1;  
FIG. 4 is a rear elevation view of the pivotal nose pad of FIG. 1;  
FIG. 5 is a left side elevation view of the pivotal nose pad of FIG. 1;  
FIG. 6 is a right side elevation view of the pivotal nose pad of FIG. 1;  
FIG. 7 is a top plan view of the pivotal nose pad of FIG. 1;  
FIG. 8 is a bottom plan view of the pivotal nose pad of FIG. 1;  
FIG. 9 is a first perspective view of a pivotal nose pad shown in a second embodiment;  
FIG. 10 is a second perspective view of the pivotal nose pad of FIG. 9;  
FIG. 11 is a front elevation view of the pivotal nose pad of FIG. 9;  
FIG. 12 is a rear elevation view of the pivotal nose pad of FIG. 9;  
FIG. 13 is a left side elevation view of the pivotal nose pad of FIG. 9;  
FIG. 14 is a right side elevation view of the pivotal nose pad of FIG. 9;  
FIG. 15 is a top plan view of the pivotal nose pad of FIG. 9;  
and,  
FIG. 16 is a bottom plan view of the pivotal nose pad of FIG. 9.

**1 Claim, 6 Drawing Sheets**



(56)

**References Cited**

U.S. PATENT DOCUMENTS

1,937,902	A *	12/1933	McDonnell et al. ....	351/137
2,035,785	A *	3/1936	Bouchard .....	351/137
2,643,580	A *	6/1953	Miner et al. ....	351/137
4,205,905	A	6/1980	Abel et al.	
4,420,227	A	12/1983	Speer	
4,500,179	A	2/1985	Schonhut	
6,079,825	A *	6/2000	Chen .....	351/138
D461,835	S *	8/2002	Onodera .....	D16/332
D537,862	S *	3/2007	Mouclier .....	D16/315
D708,252	S *	7/2014	Olsson et al. ....	D16/332

OTHER PUBLICATIONS

“13mm Transparent Green silicone nose pads”, retrieved on Nov. 1, 2013 from <http://stores.nosepadking.com/-strse-265/green-silicone-nose-pads/Detail.bok>.

“13mm Transparent Red silicone nose pads”, retrieved on Nov. 1, 2013 from <http://stores.nosepadking.com/-strse-267/green-silicone-nose-pads/Detail.bok>.

“25 Pairs Silicone Eyeglass Nose Pads Oval Screw In”, retrieved on Nov. 1, 2013 from [http://www.suntekstore.com/goods.php?id=13000336&utm\\_source=gbus&utm\\_medium=paid](http://www.suntekstore.com/goods.php?id=13000336&utm_source=gbus&utm_medium=paid).

“Nose Pads for Glasses Specifications, Soft Silicone Oval 12mm Nose Pad Slide-In Slide-On”, Nose Pads Buyers Guide, retrieved on Nov. 1, 2013 from <http://www.nosepads.com/Oval-Nose-Pads-Silicone-12-Slide-In-Rimless.html>.

“Nose Pads for Glasses Specifications, Soft PVC Oval 13 mm Nose Pad Screw-In Screw-On”, Nose Pads Buyers Guide, retrieved on Nov. 1, 2013 from <http://www.nosepads.com/Oval-Nose-Pads-PVC-13-Screw-On.html>.

“Nose Pads for Glasses Specifications, Soft Silicone Oval 19 mm Nose Pad Push-In Push-Out”, Nose Pads Buyers Guide, retrieved on Nov. 1, 2013 from <http://www.nosepads.com/Oval-Nose-Pads-Silicone-19mm-Push-In.html>.

“Nose Pads for Glasses Specifications, Soft Silicone Oval 19mm Nose Pad Screw-In Screw-on”, Nose Pad Buyers Guide, retrieved on Nov. 1, 2013 from <http://www.nosepads.com/Oval-Nose-Pads-Silicone-19-Screw-In.html>.

Search Results for Oval Shaped nose pads, Nose Pad King, retrieved on Nov. 1, 2013 from <http://stores.nosepadking.com/-strse-Oval-Shaped-Nose-pads/Categories.bok>.

Search Results for Symmetrical Nose Pads, Nose Pad King, retrieved on Nov. 1, 2013 from <http://stores.nosepadking.com/-strse-Symmetrical-Nose-Pads/Categories.bok>.

\* cited by examiner

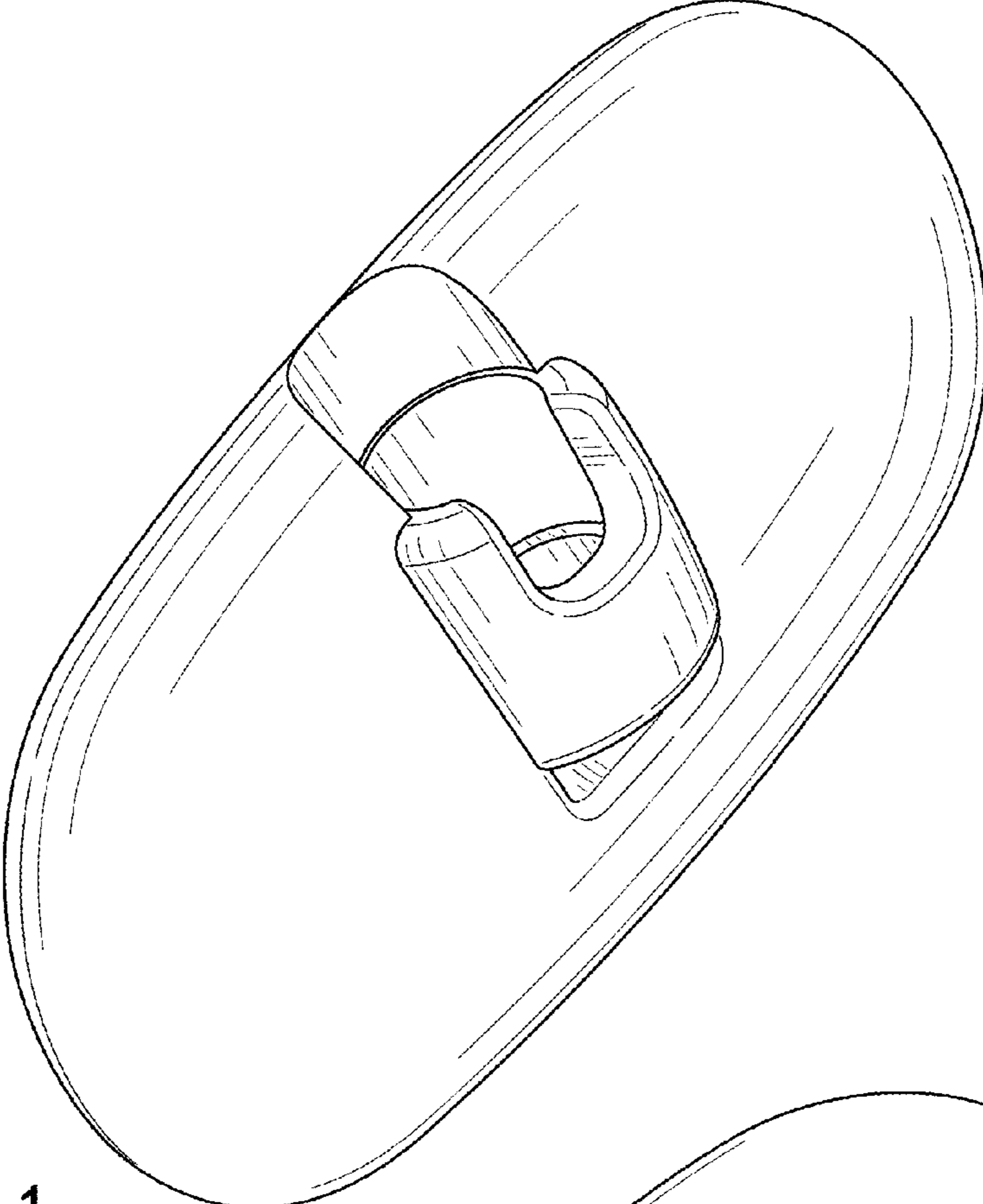


FIG. 1

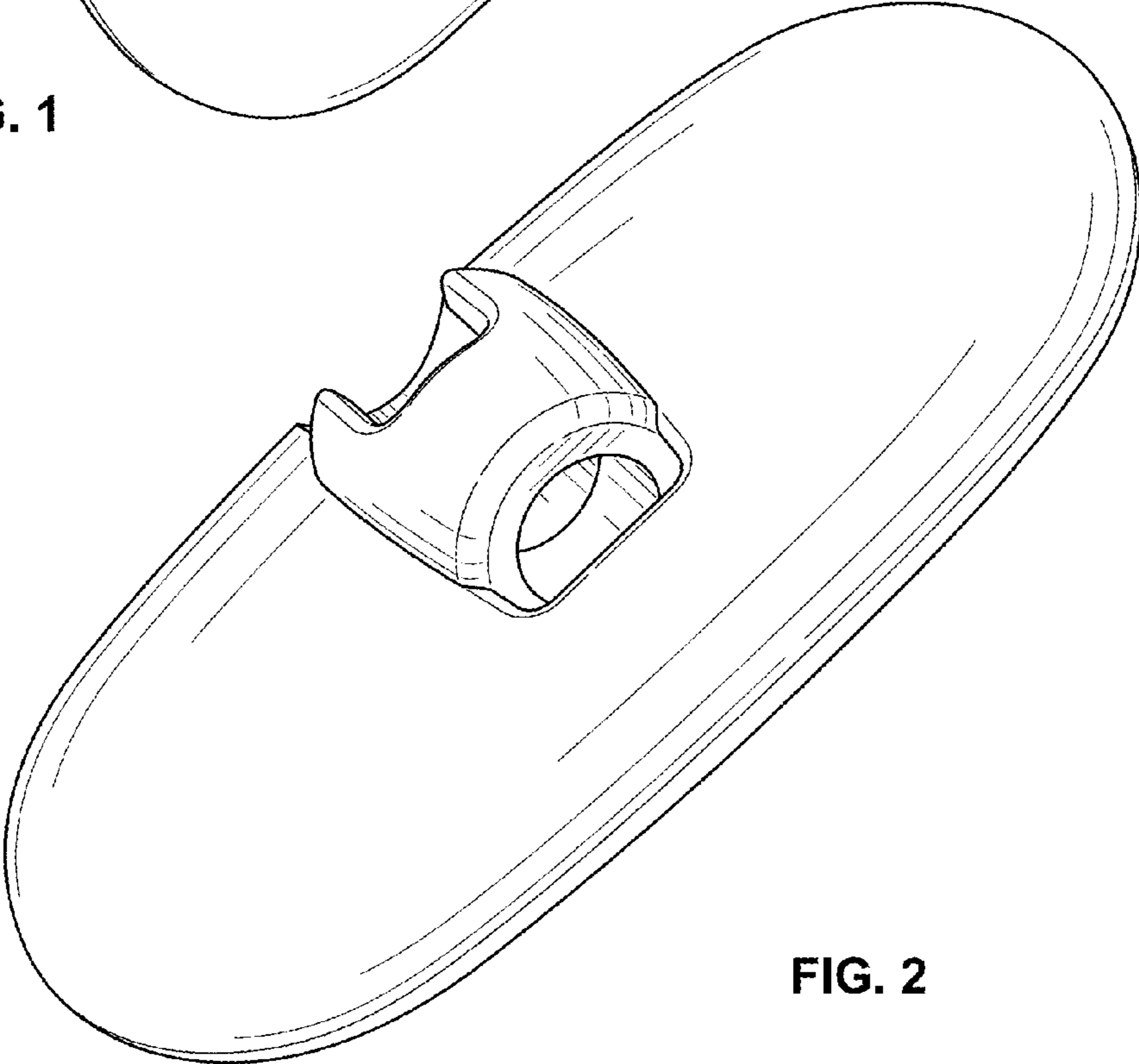


FIG. 2

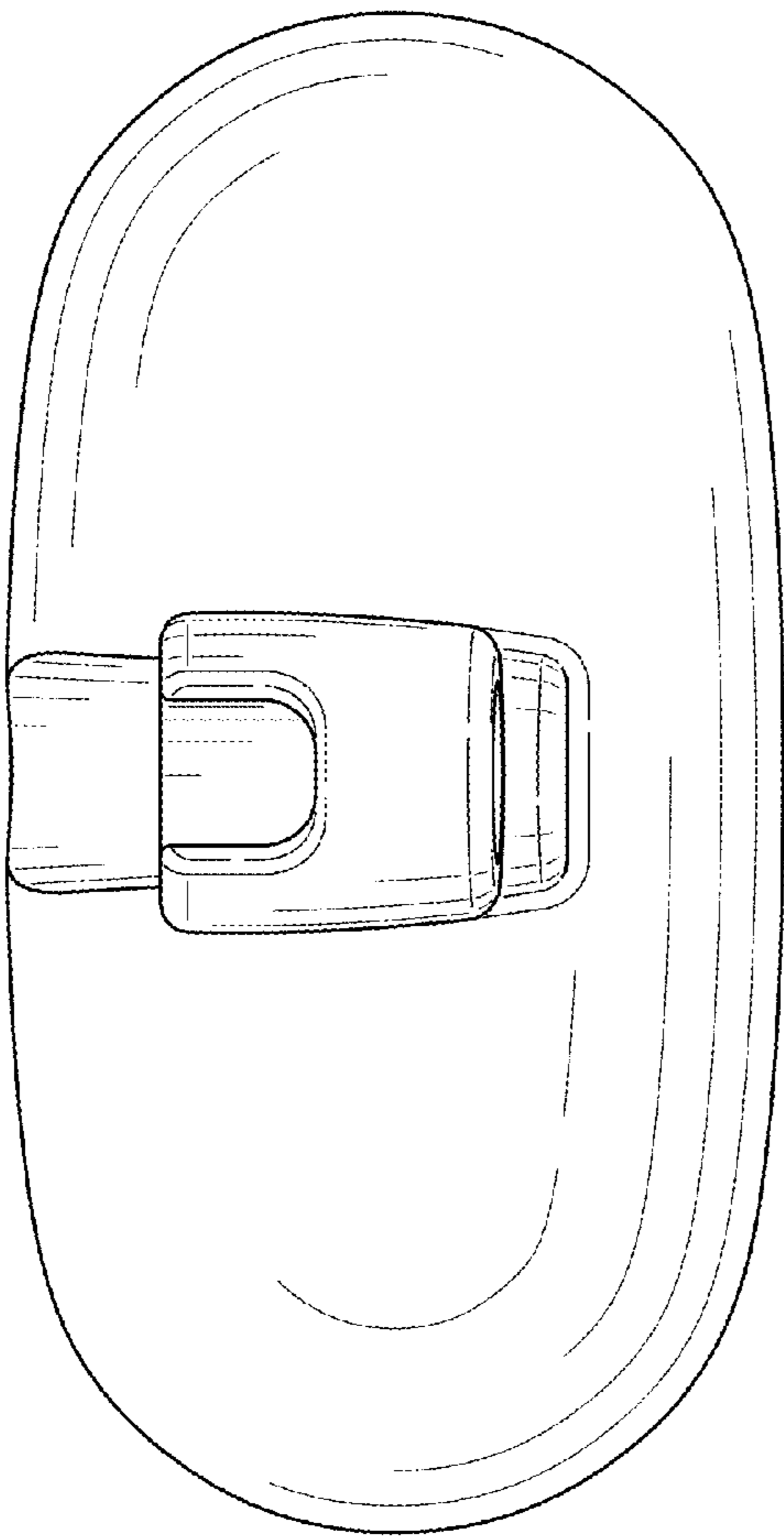


FIG. 3

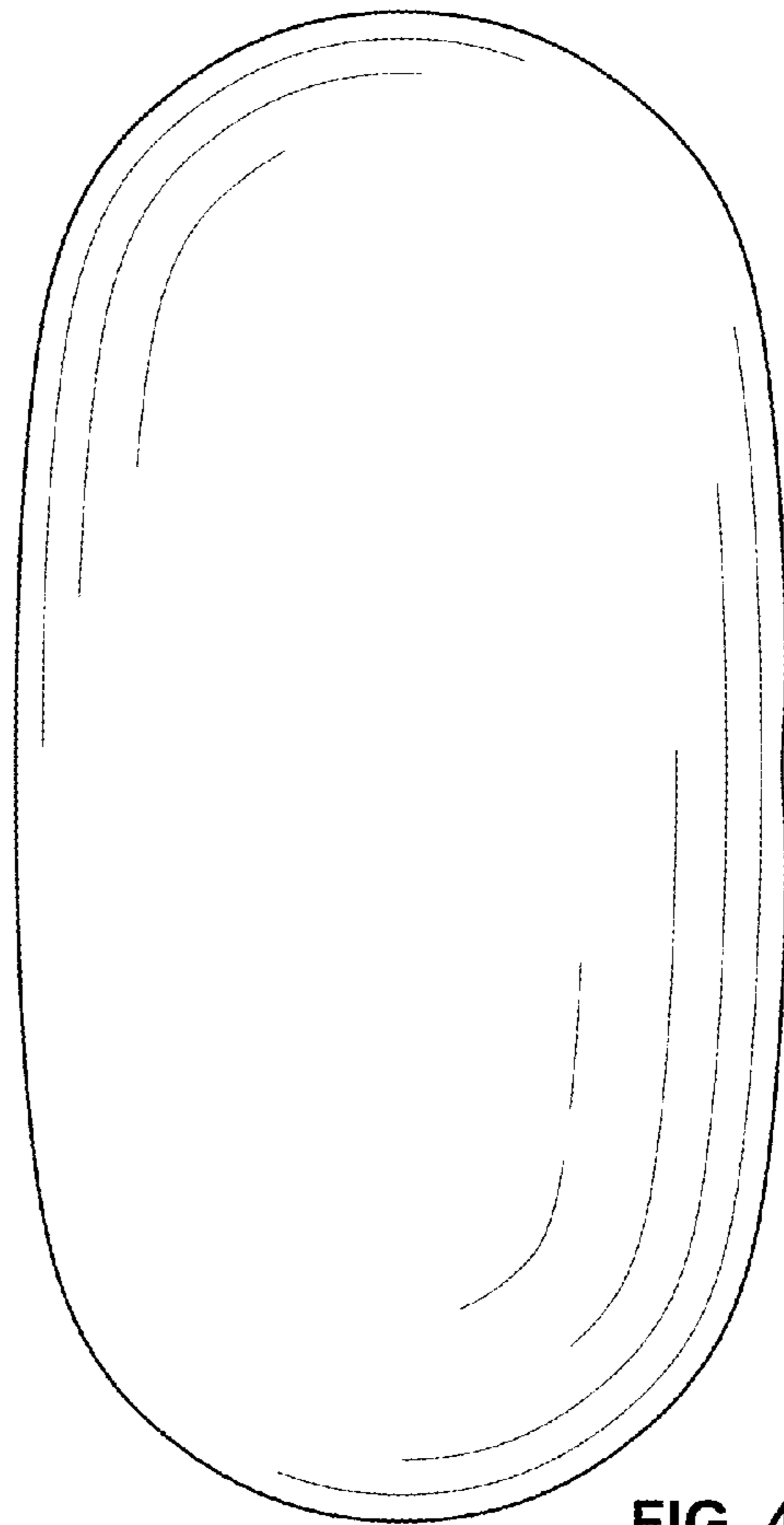


FIG. 4

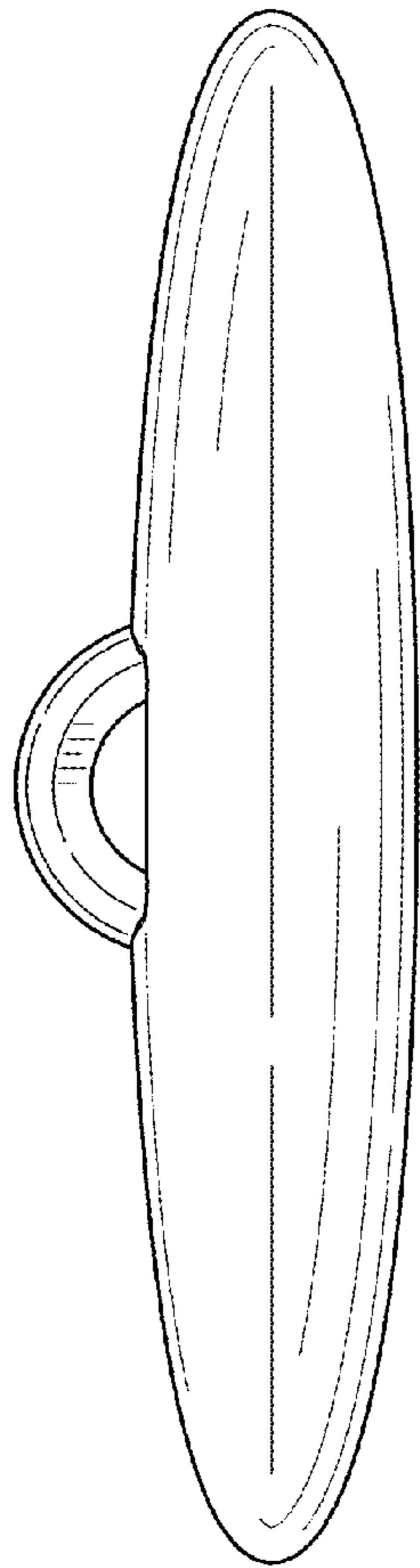


FIG. 5

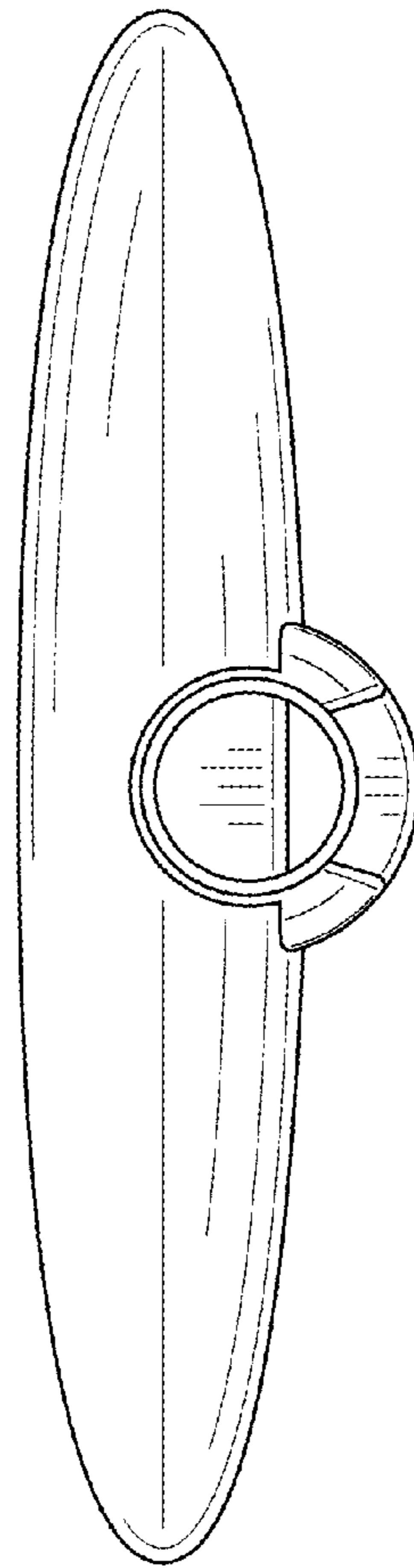


FIG. 6

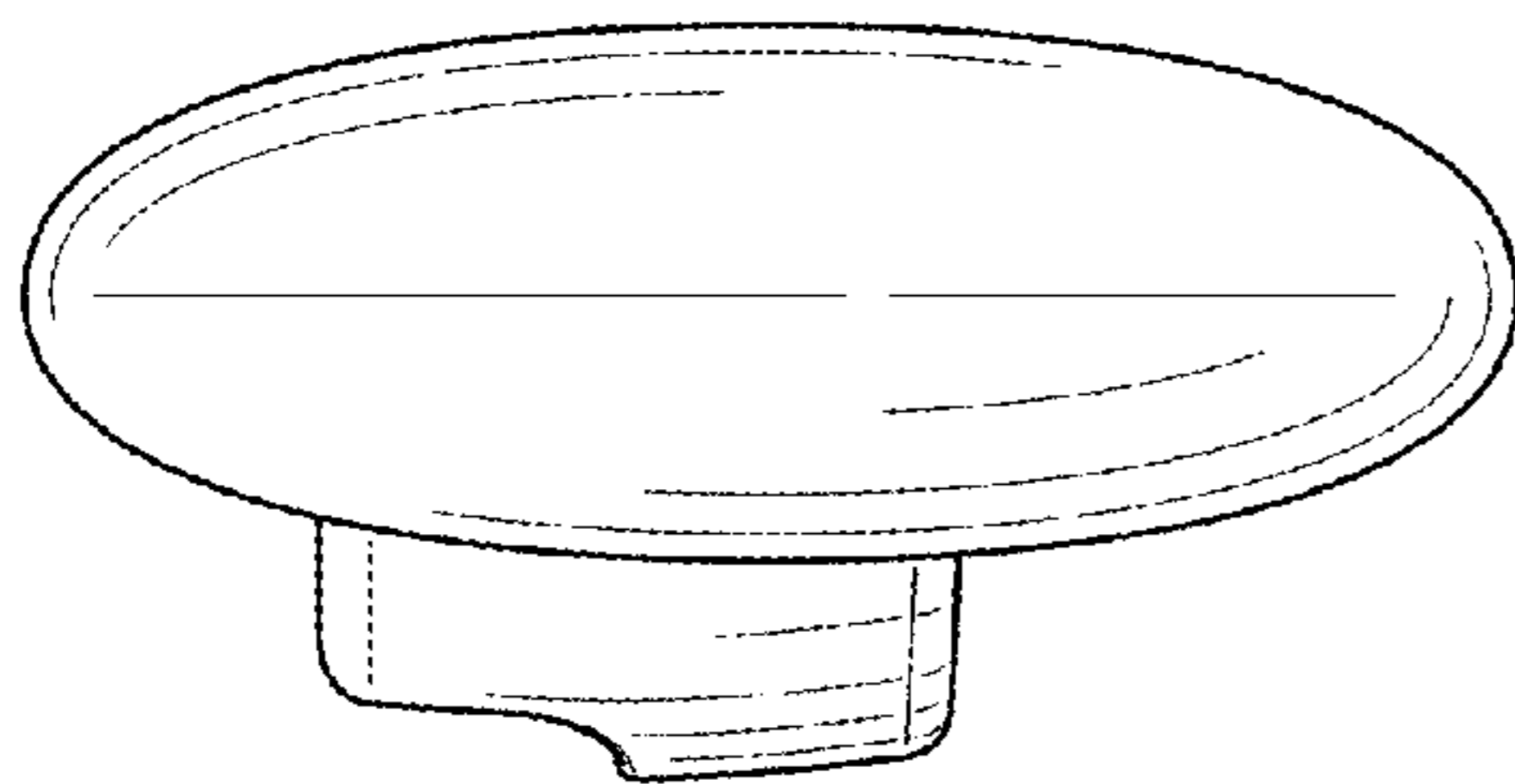


FIG. 7

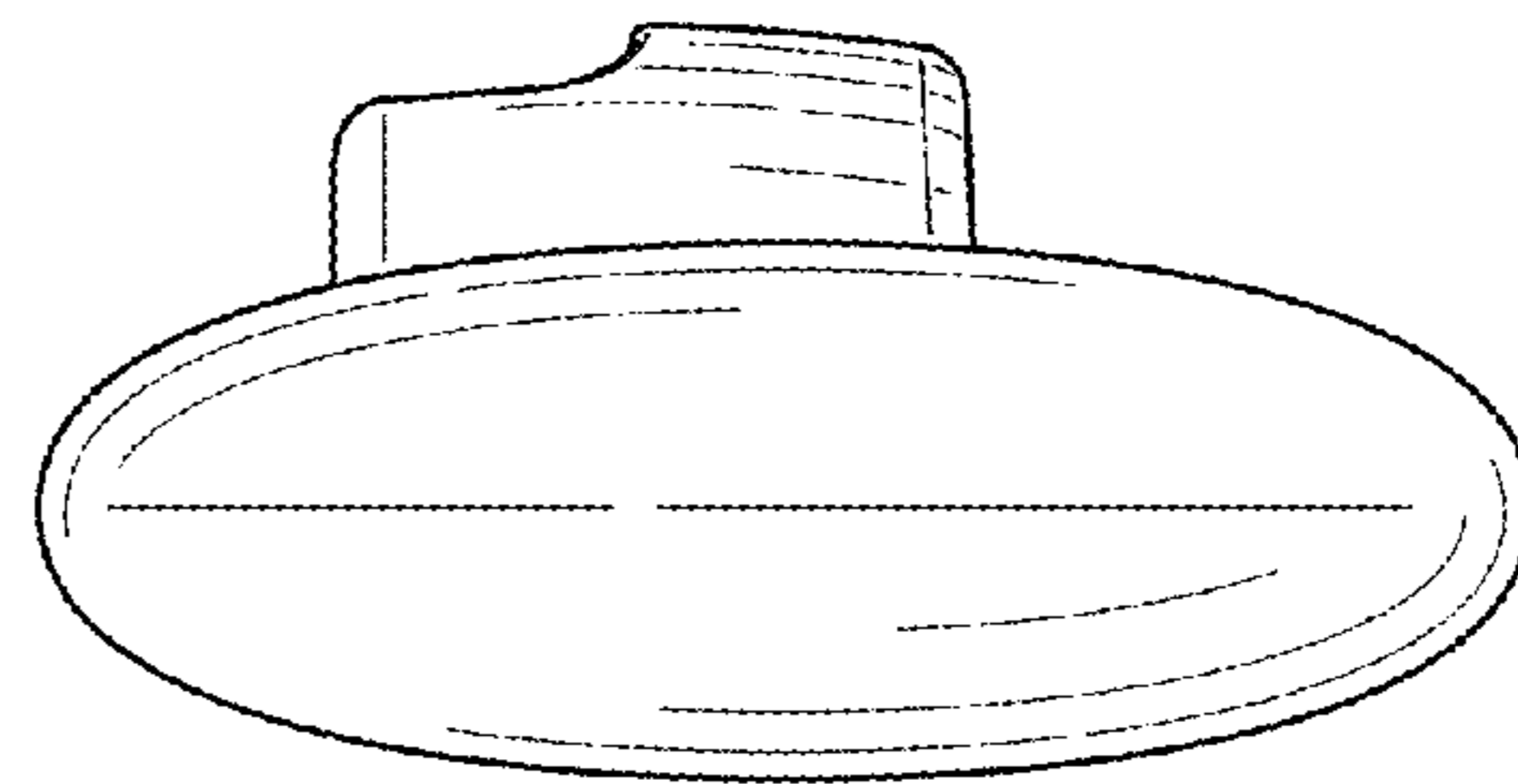


FIG. 8

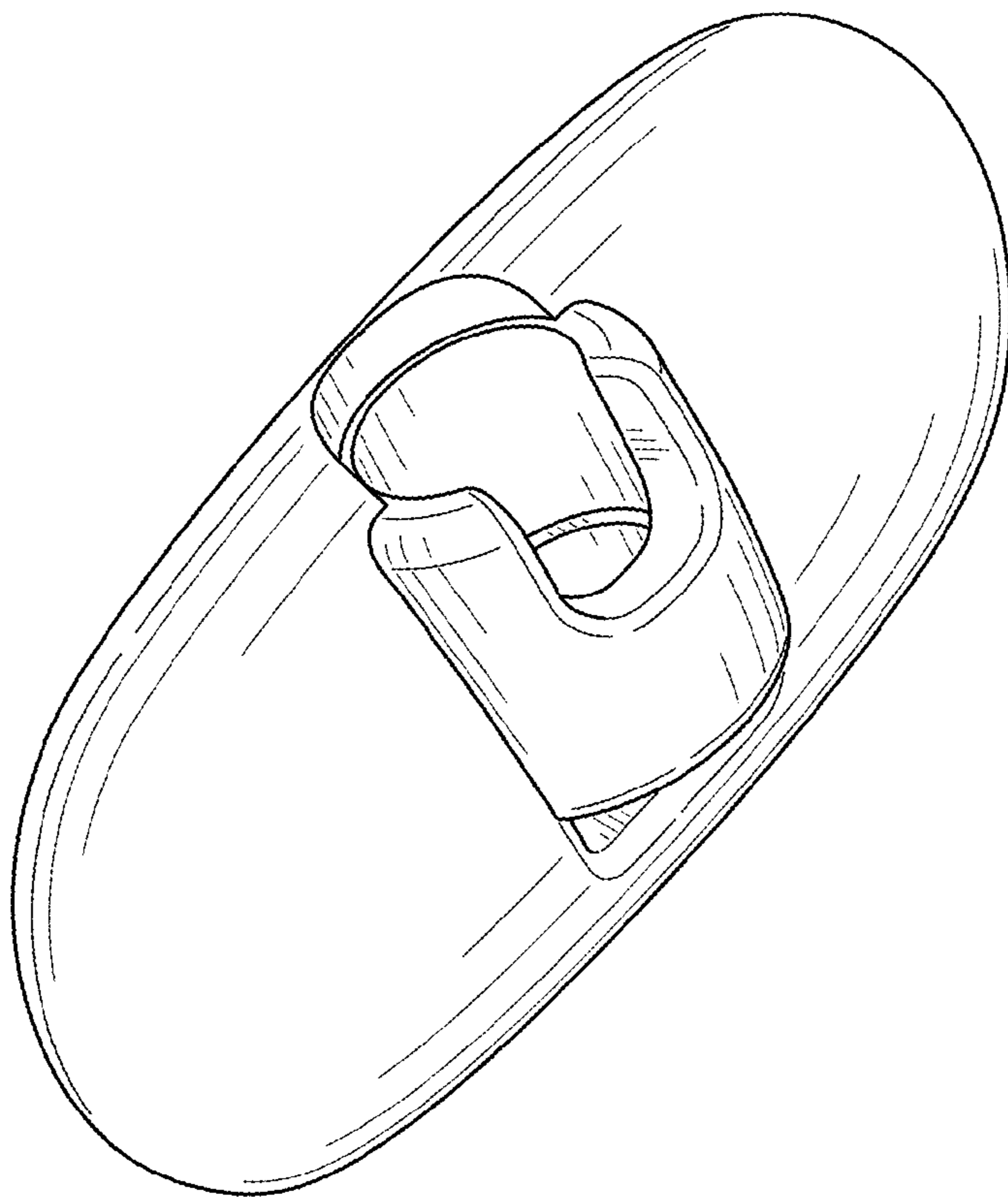


FIG. 9

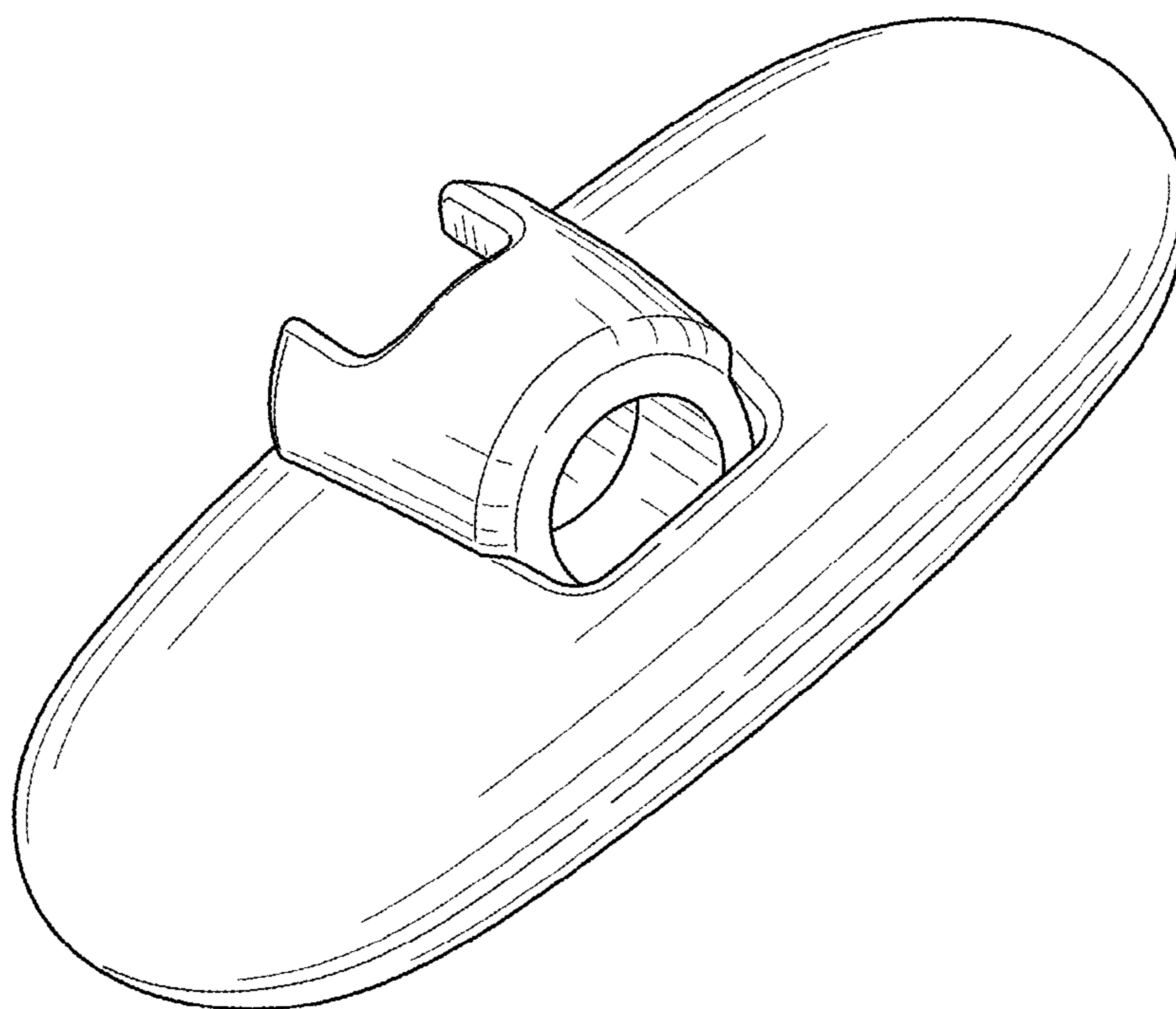


FIG. 10

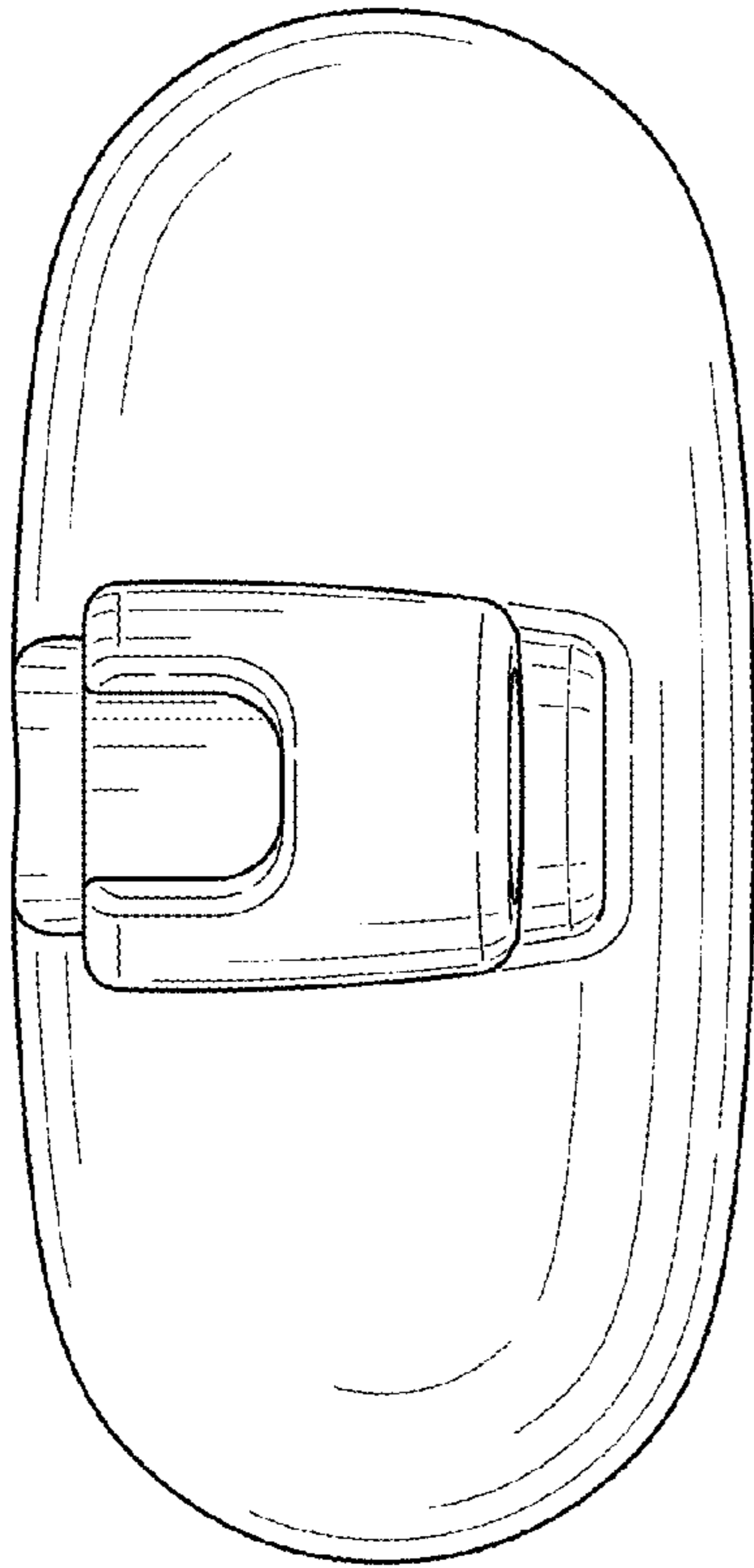


FIG. 11

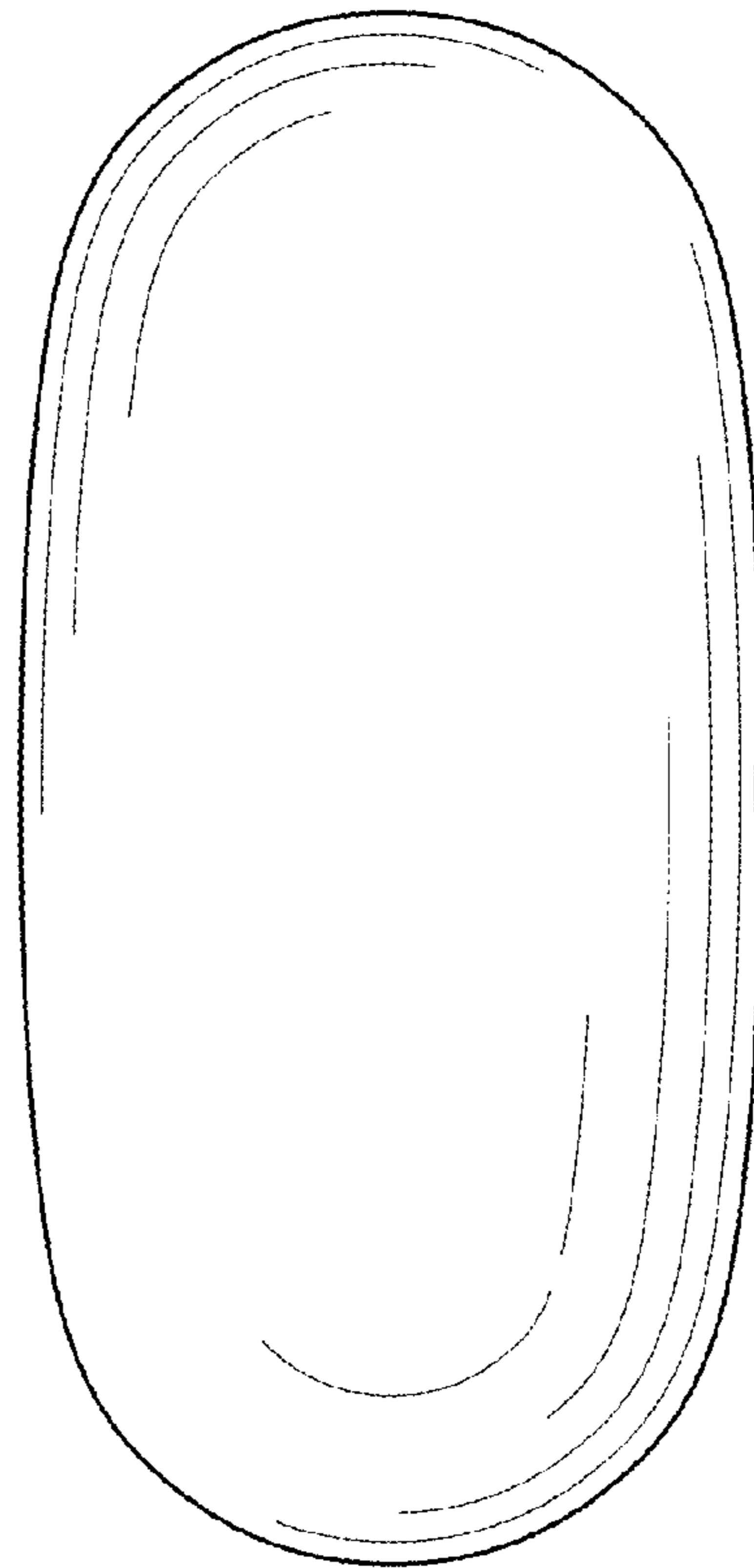


FIG. 12

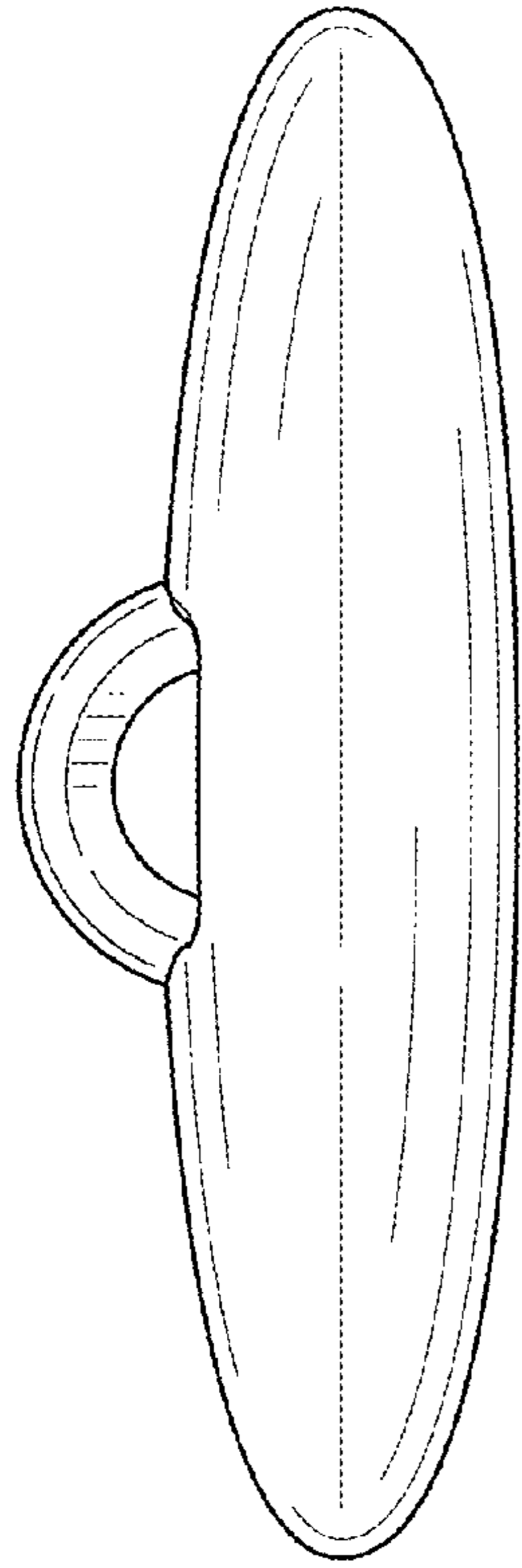


FIG. 13

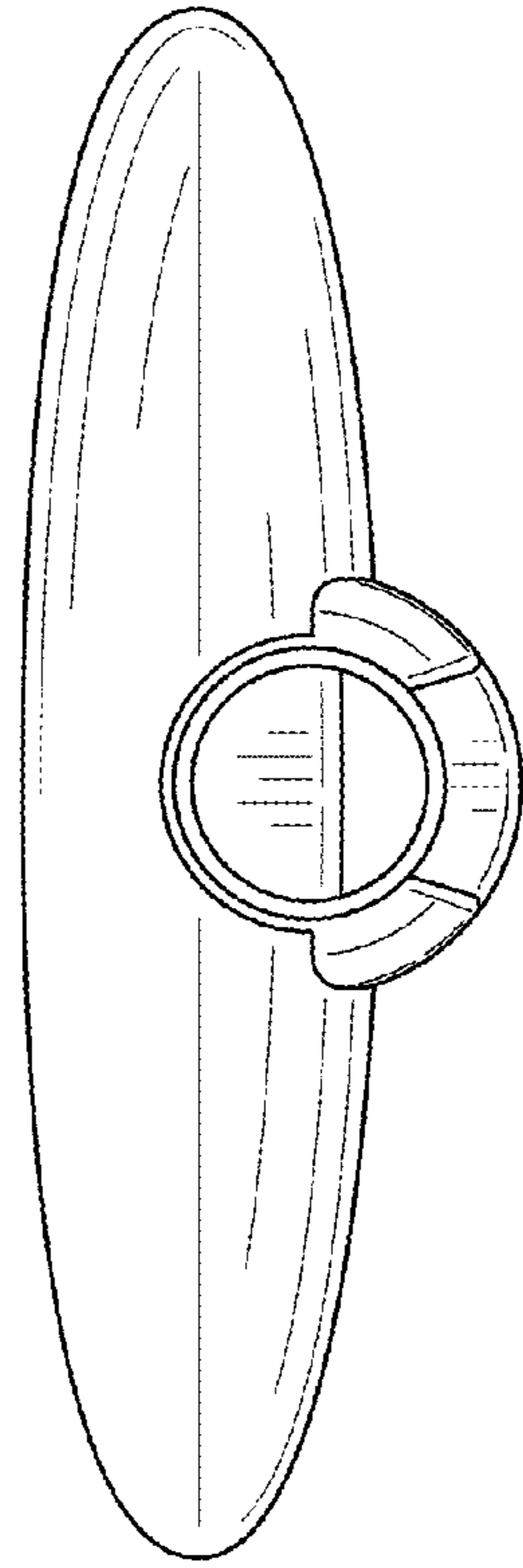


FIG. 14

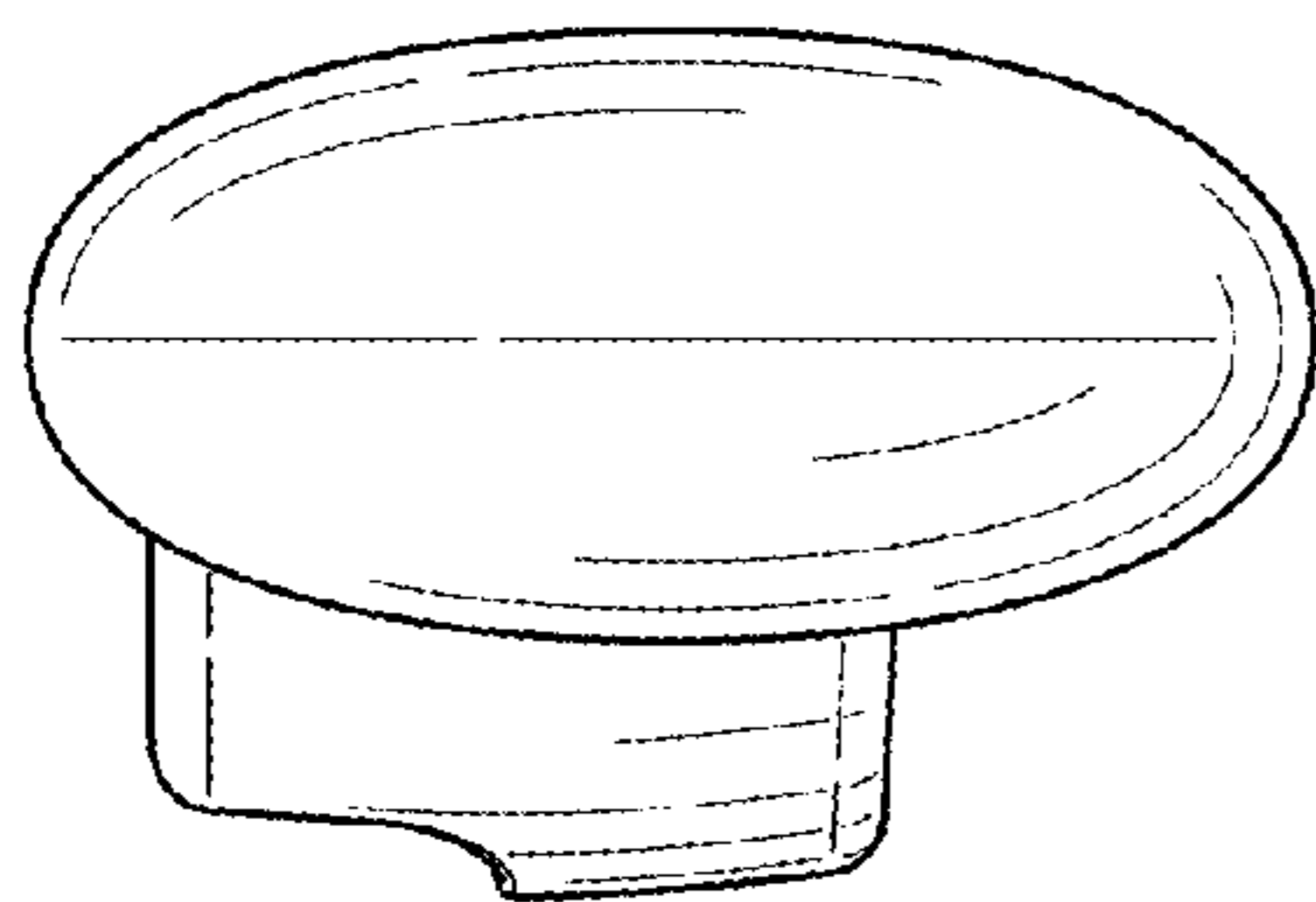


FIG. 15

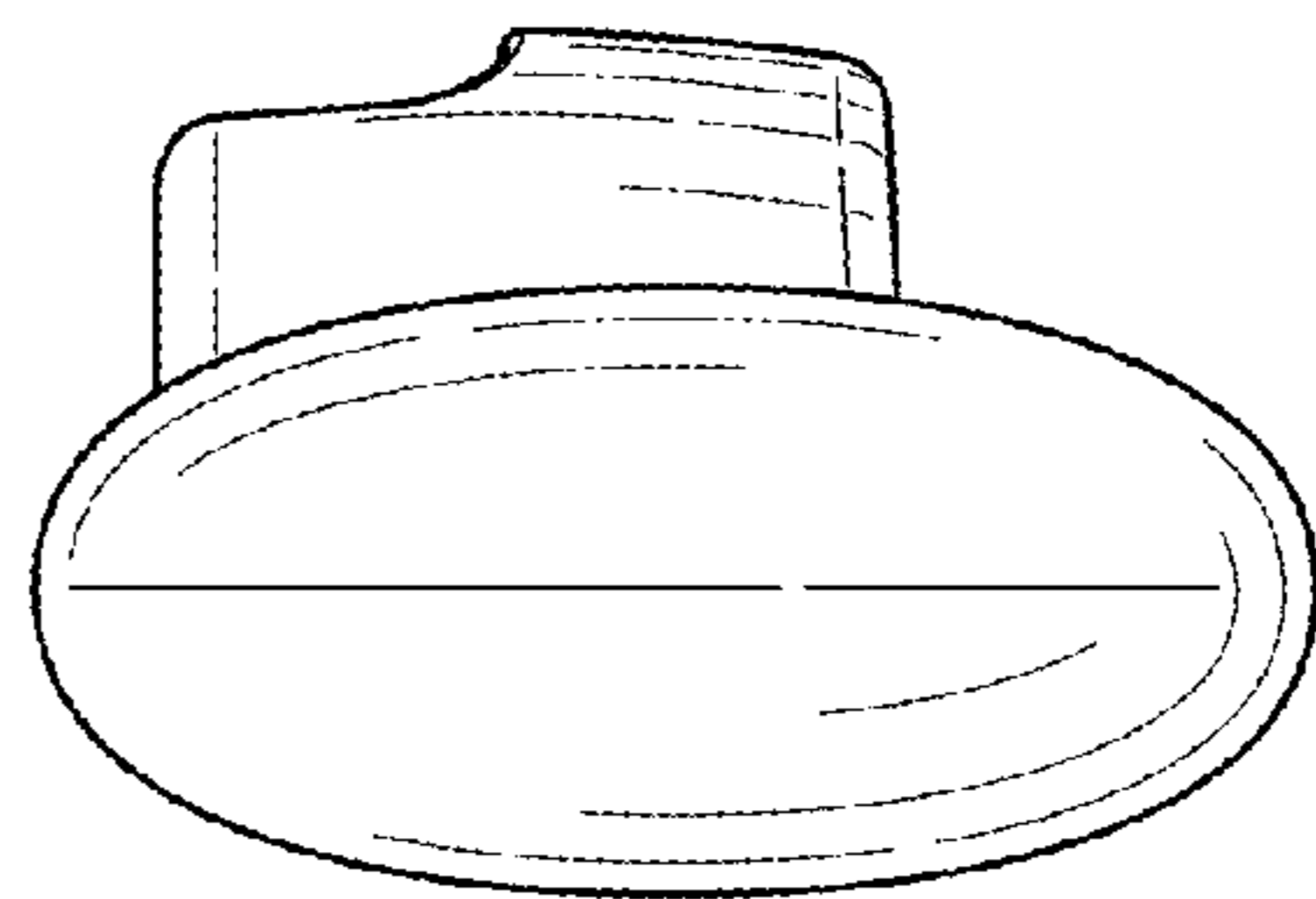


FIG. 16