



US00D720385S

(12) **United States Design Patent**
Lampp

(10) **Patent No.:** **US D720,385 S**

(45) **Date of Patent:** **** Dec. 30, 2014**

(54) **TRIPOD WHEEL ATTACHMENT**

(71) Applicant: **Steven B Lampp**, Orlando, FL (US)

(72) Inventor: **Steven B Lampp**, Orlando, FL (US)

(**) Term: **14 Years**

(21) Appl. No.: **29/446,060**

(22) Filed: **Feb. 20, 2013**

(51) **LOC (10) Cl.** **16-05**

(52) **U.S. Cl.**
USPC **D16/245; D8/375**

(58) **Field of Classification Search**
USPC D8/366, 374, 375; D12/133; D16/245;
16/18 CG, 18 R, 27, 29, 34, 35 R, 38,
16/39, 45-47; 190/18 A; 248/129
See application file for complete search history.

(56) **References Cited**

U.S. PATENT DOCUMENTS

2,981,969 A * 5/1961 Fontana 16/18 CG
D192,786 S * 5/1962 Rice et al. D8/375
3,349,426 A * 10/1967 Haydock 16/46

D484,397 S * 12/2003 Lee D8/375
D547,639 S * 7/2007 Dayt D8/375
D593,400 S * 6/2009 Jones et al. D8/375
2009/0260181 A1 * 10/2009 Jones et al. 16/45
2012/0288269 A1 * 11/2012 Jensen 396/428

* cited by examiner

Primary Examiner — Susan Bennett Hattan

Assistant Examiner — Leanne Was

(74) *Attorney, Agent, or Firm* — William M. Hobby, III

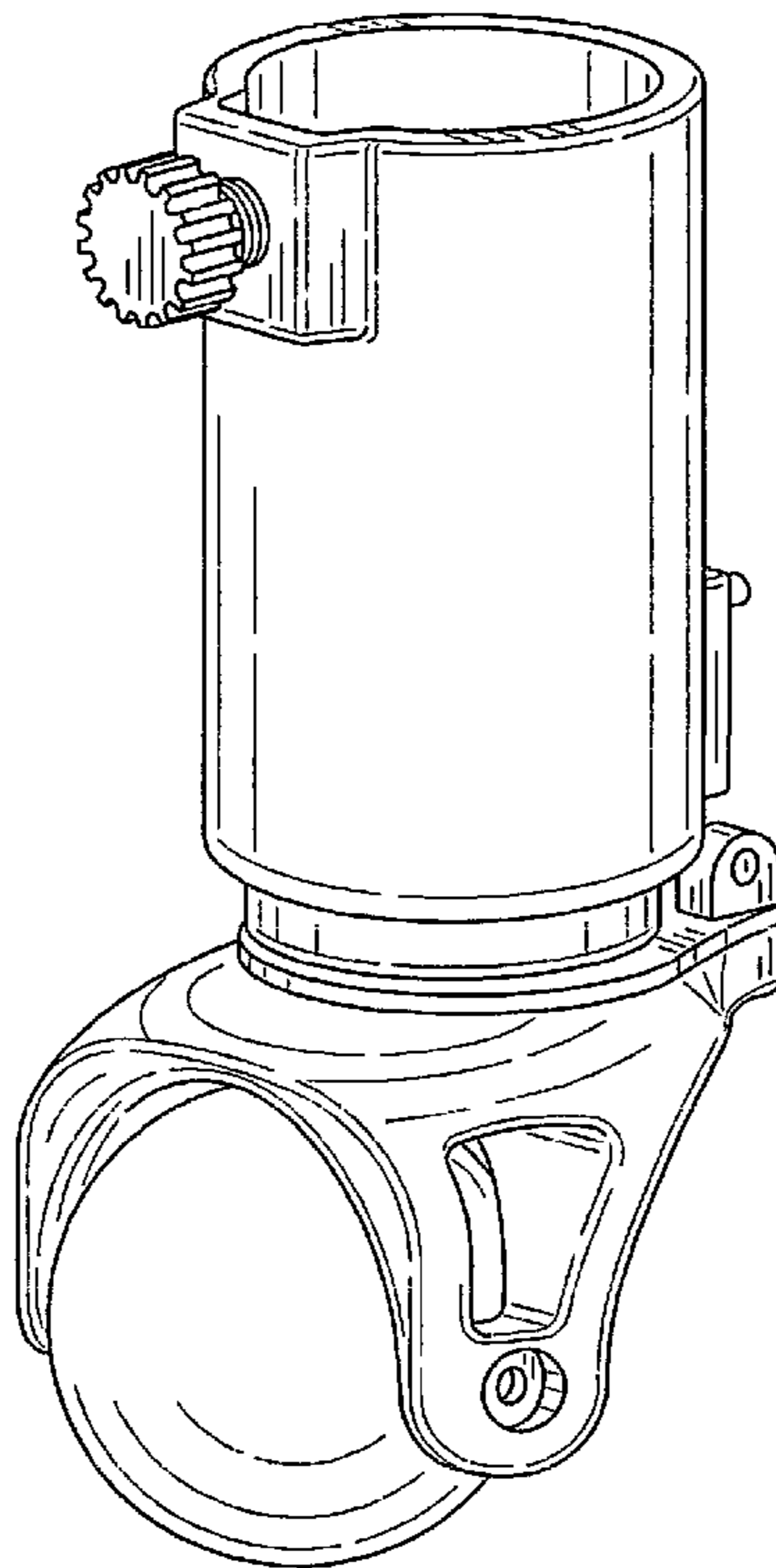
(57) **CLAIM**

The ornamental design for a tripod wheel attachment, as shown and described.

DESCRIPTION

FIG. 1 is a top and side perspective view of my new tripod wheel attachment;
FIG. 2 is a front elevational view thereof;
FIG. 3 is a rear elevational view thereof;
FIG. 4 is a left elevational view thereof;
FIG. 5 is a right side elevational view thereof;
FIG. 6 is a top plan view thereof; and,
FIG. 7 is a bottom plan view thereof.

1 Claim, 3 Drawing Sheets



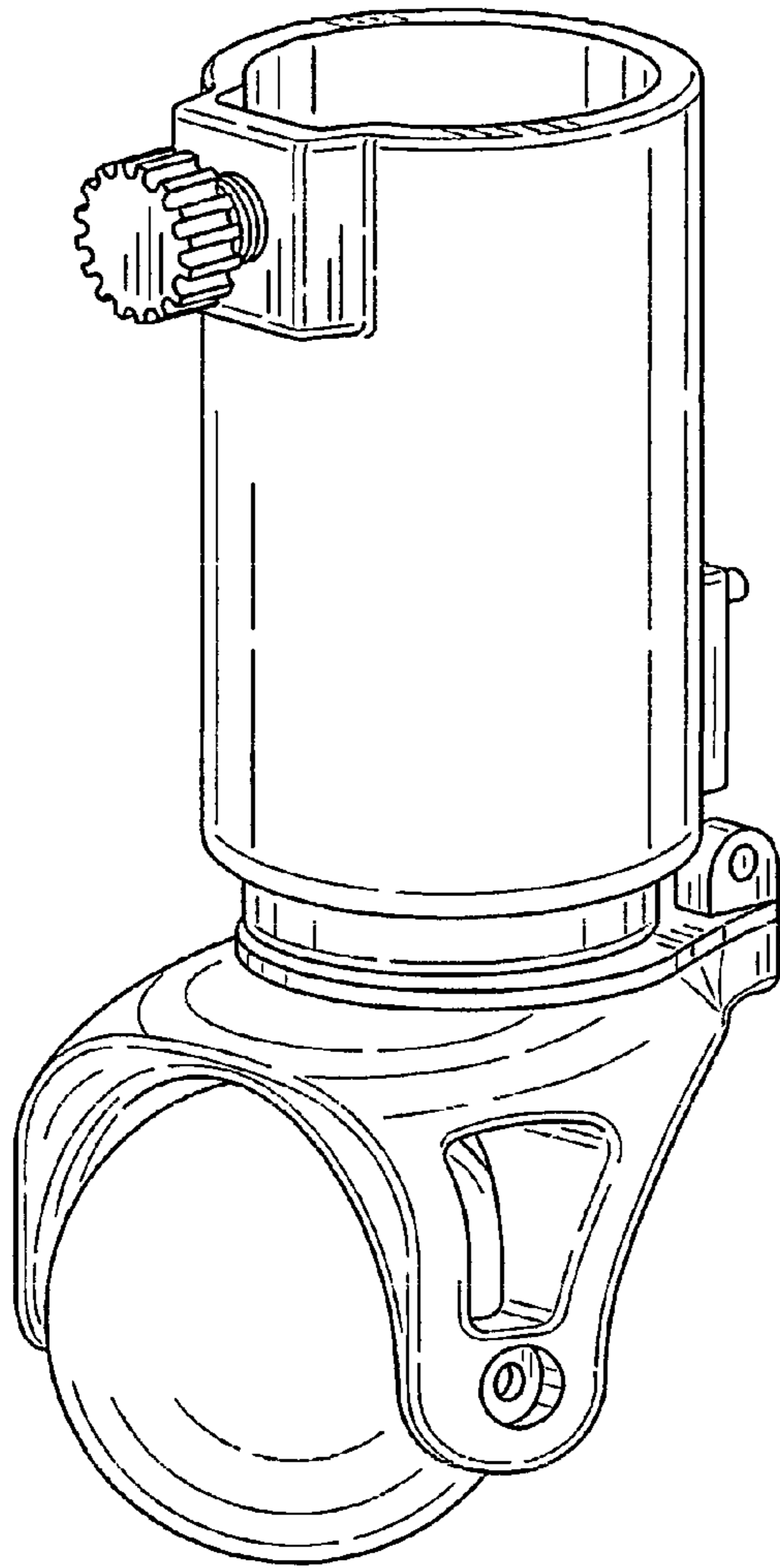


FIG. 1

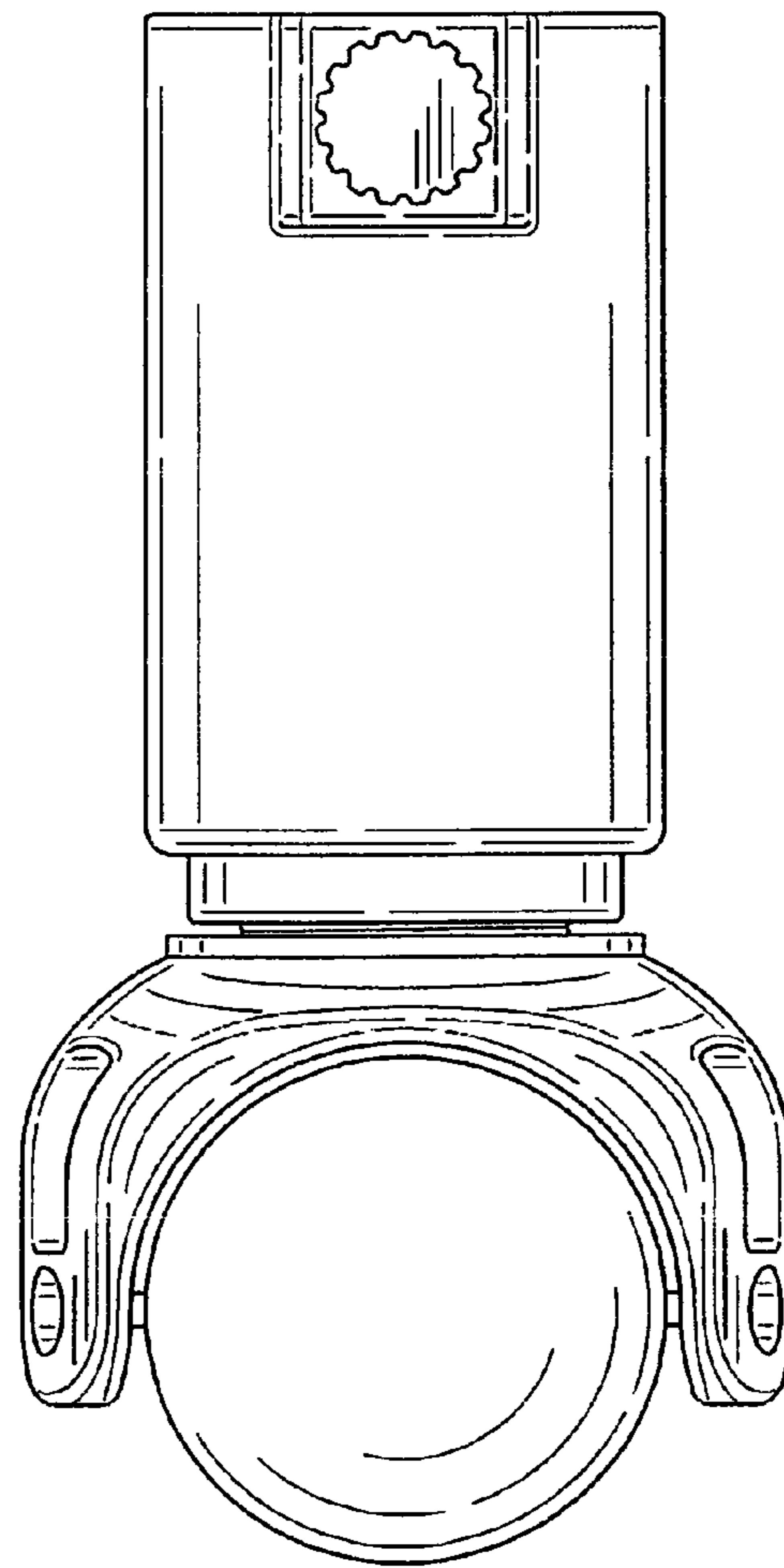


FIG. 2

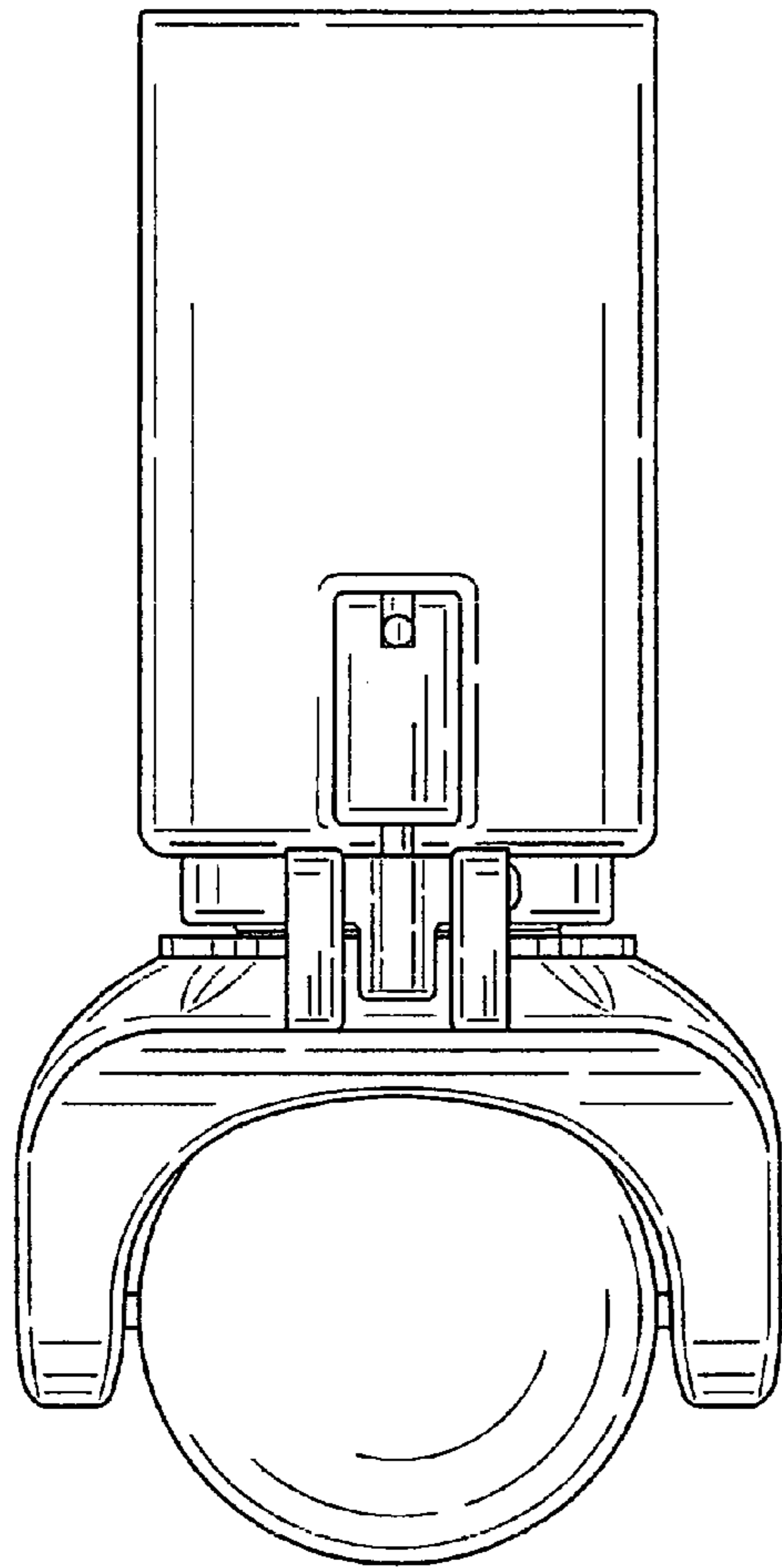


FIG. 3

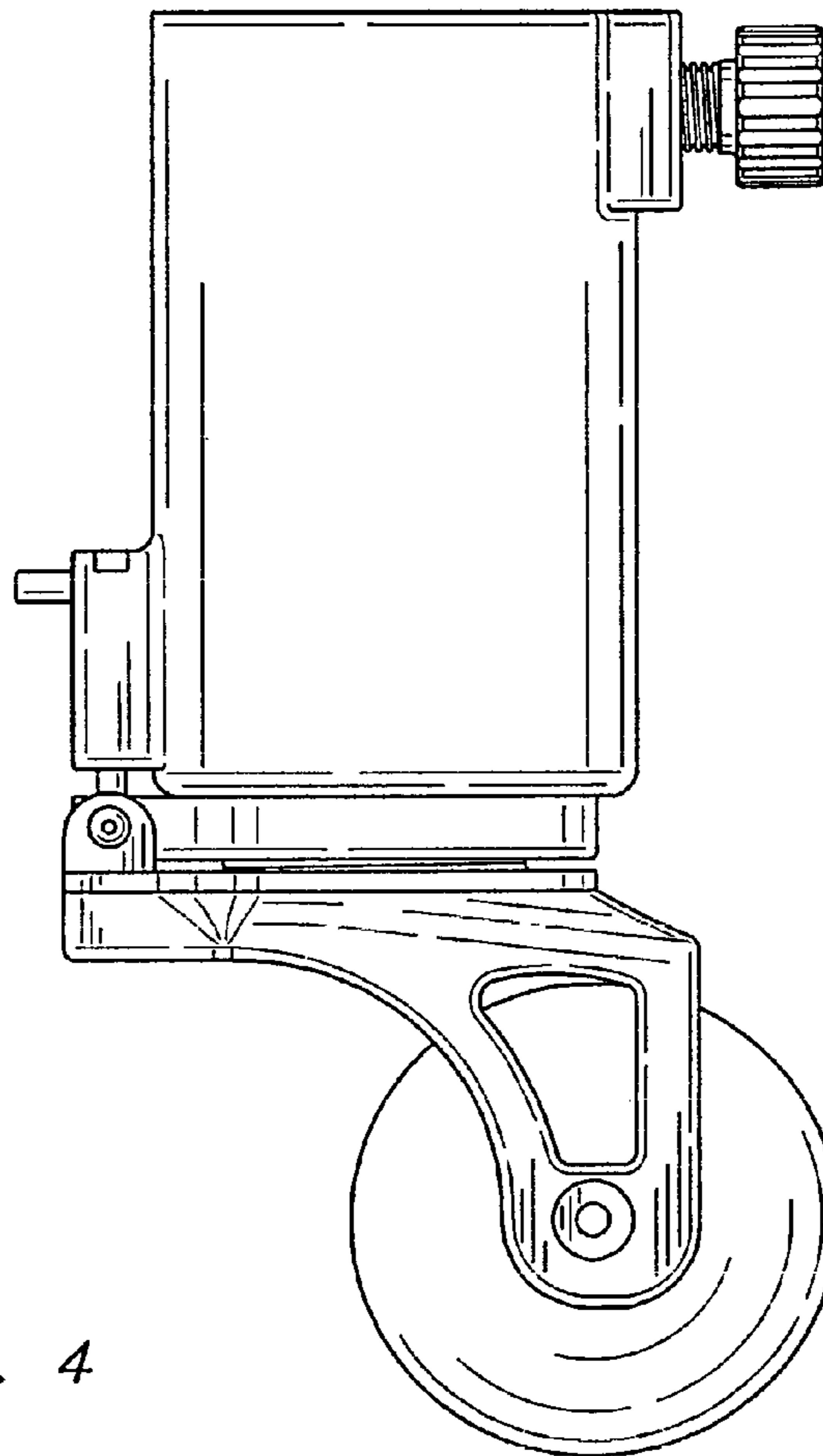


FIG. 4

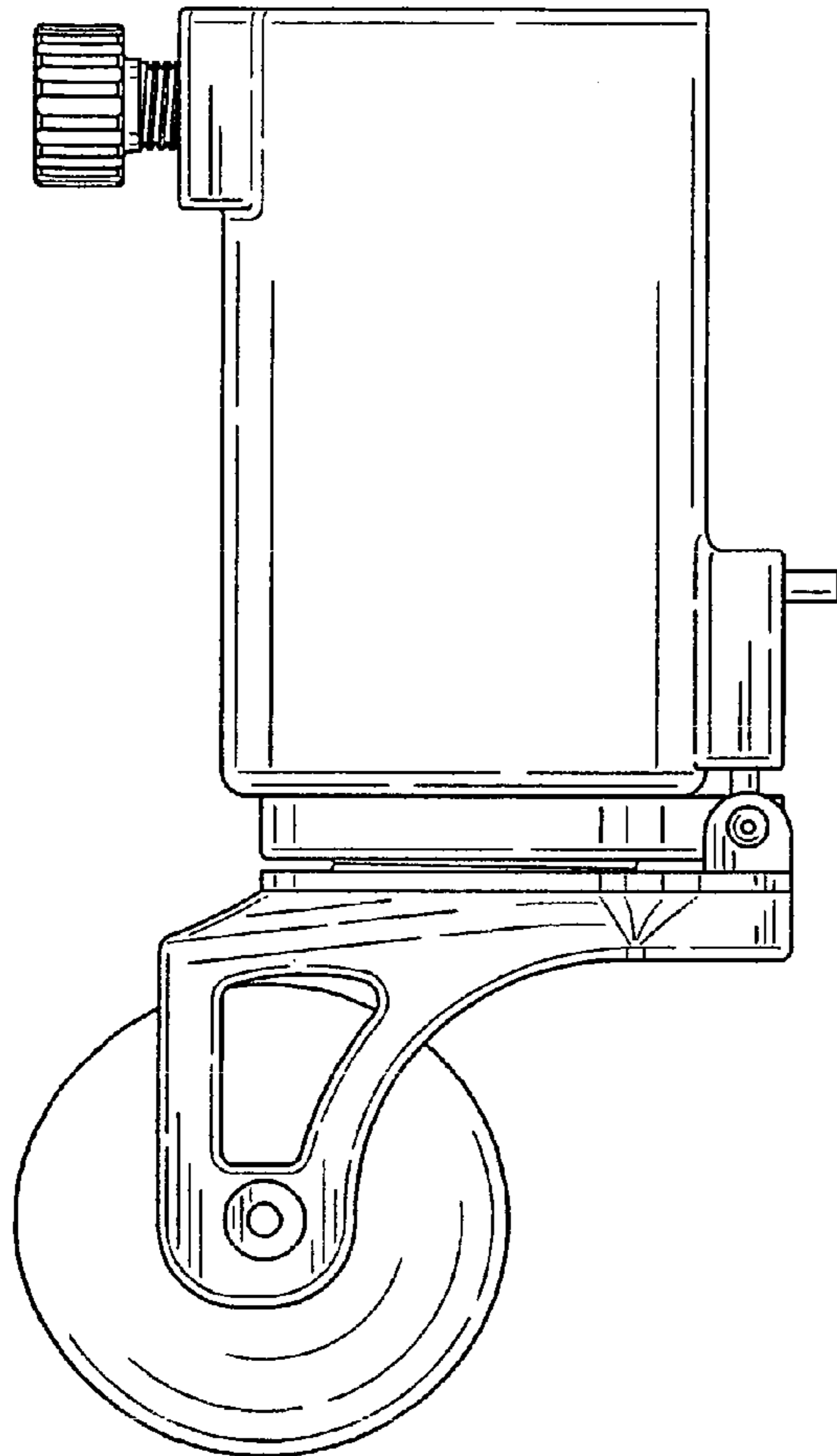


FIG. 5

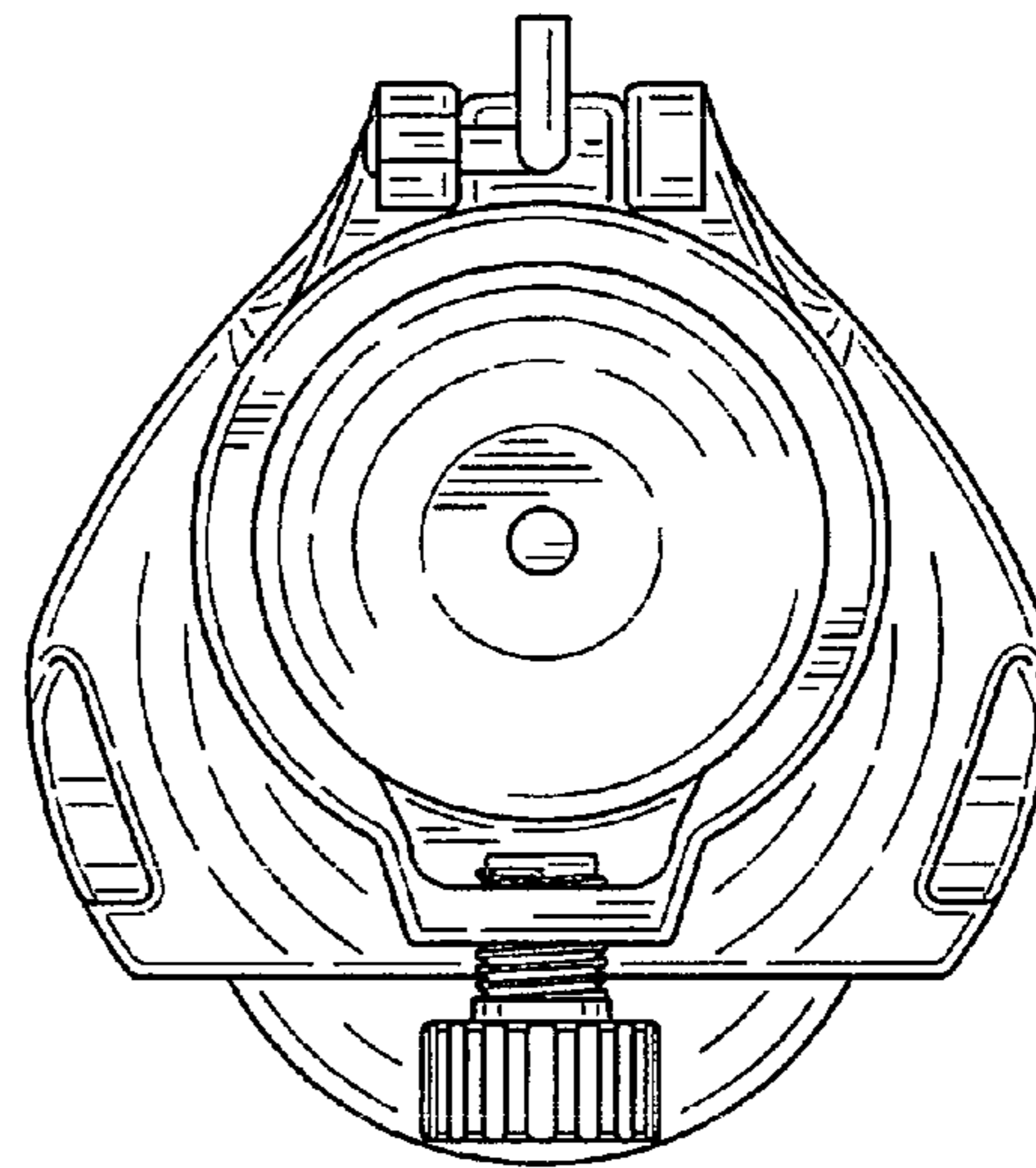


FIG. 6

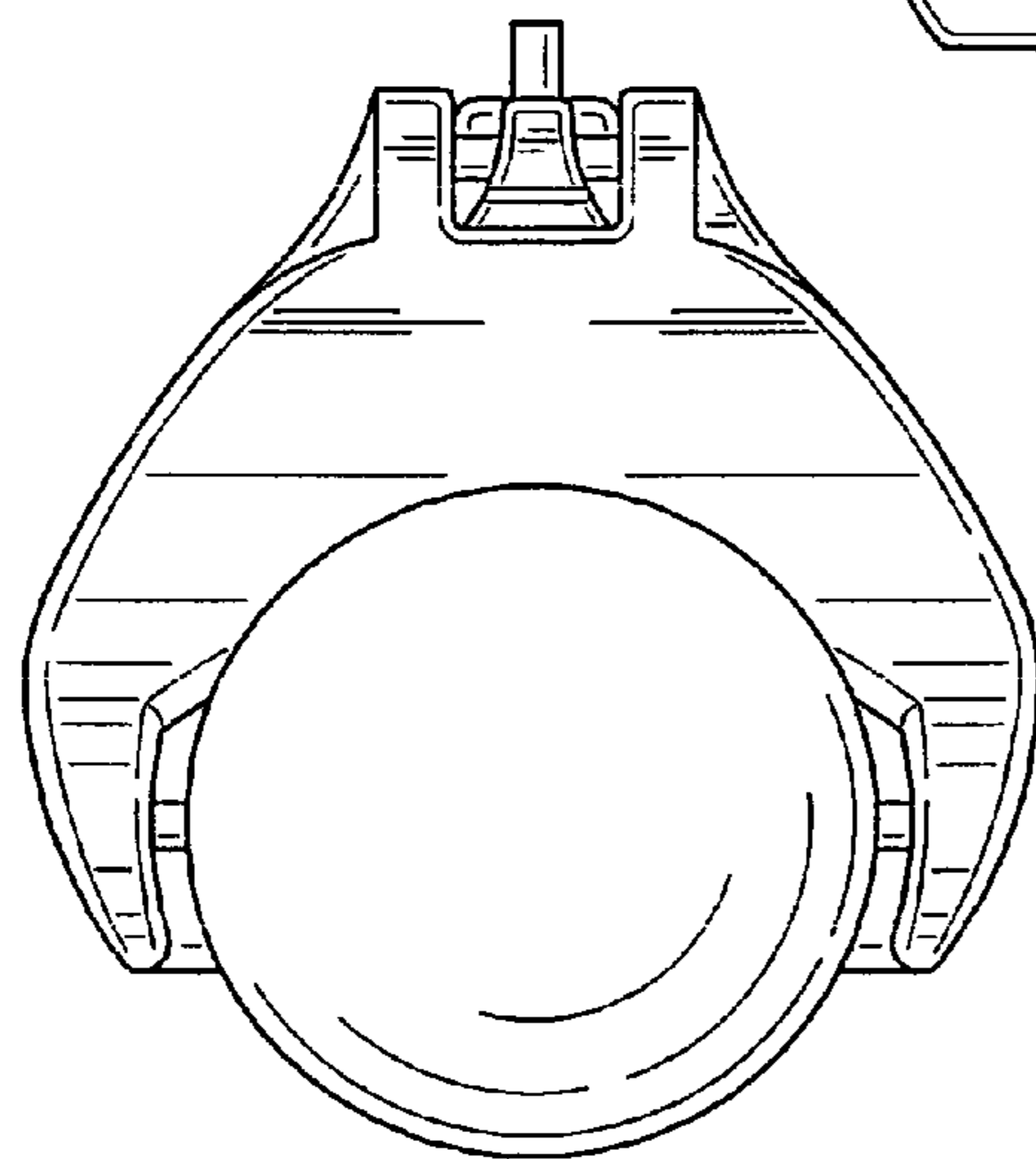


FIG. 7