

US00D720384S

(12) **United States Design Patent**
Holmen

(10) **Patent No.:** **US D720,384 S**

(45) **Date of Patent:** **** Dec. 30, 2014**

(54) **TRIPOD STAND**

(71) Applicant: **Erik Holmen**, Sarasota, FL (US)

(72) Inventor: **Erik Holmen**, Sarasota, FL (US)

(**) Term: **14 Years**

(21) Appl. No.: **29/449,472**

(22) Filed: **Mar. 15, 2013**

(51) **LOC (10) Cl.** **16-05**

(52) **U.S. Cl.**
USPC **D16/244**

(58) **Field of Classification Search**
USPC D6/312, 701; D16/242, 244, 245;
248/162.1, 163, 168, 139, 170, 171,
248/188.5, 188.66; 396/419, 428
See application file for complete search history.

(56) **References Cited**

U.S. PATENT DOCUMENTS

D120,114 S *	4/1940	Waechter	D6/496
2,845,244 A *	7/1958	Prokop	248/171
3,064,932 A *	11/1962	Holderman	248/171
D450,339 S *	11/2001	Eason	D16/244
D552,660 S *	10/2007	Lee	D16/244
D557,035 S *	12/2007	Huang	D6/419
D623,785 S *	9/2010	Wessel	D26/49

D623,786 S *	9/2010	Wessel	D26/49
D632,720 S *	2/2011	Barker	D16/244
D639,470 S *	6/2011	Wessel	D26/38
D639,986 S *	6/2011	Wessel	D26/46
2005/0194503 A1 *	9/2005	Lee et al.	248/188.5

* cited by examiner

Primary Examiner — Susan Bennett Hattan

Assistant Examiner — Leanne Was

(74) *Attorney, Agent, or Firm* — Law Office of Stacy Matulis

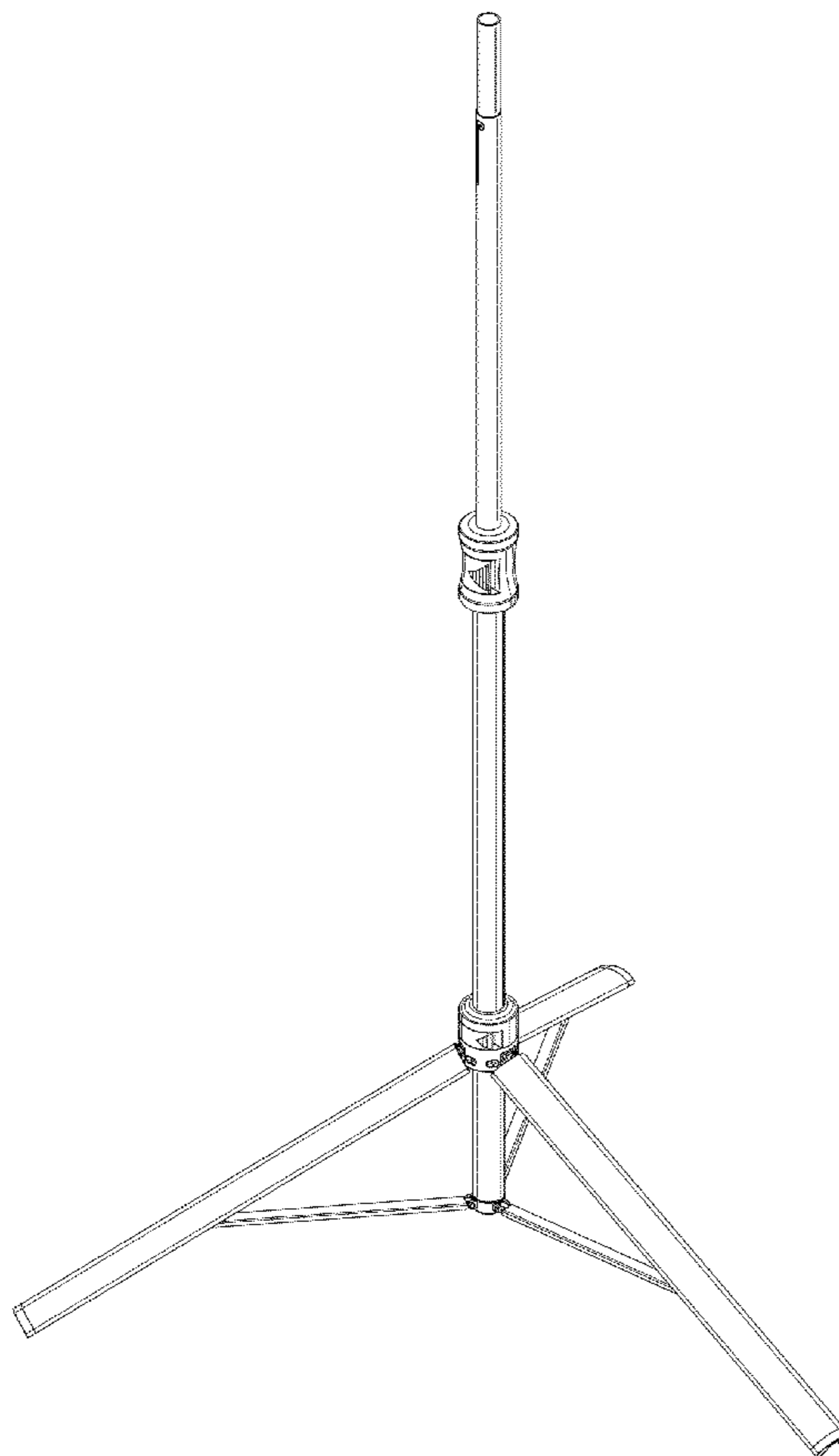
(57) **CLAIM**

I claim the ornamental design for a tripod stand, as shown and described.

DESCRIPTION

FIG. 1 is a front, perspective view of a tripod stand showing my design;
FIG. 2 is a front view thereof;
FIG. 3 is a back view thereof;
FIG. 4 is a top view thereof;
FIG. 5 is a bottom view thereof;
FIG. 6 is a left side view thereof;
FIG. 7 is a right side view thereof;
FIG. 8 is a front view of a tripod stand showing my design in the closed position; and,
FIG. 9 is a bottom view thereof.

1 Claim, 8 Drawing Sheets



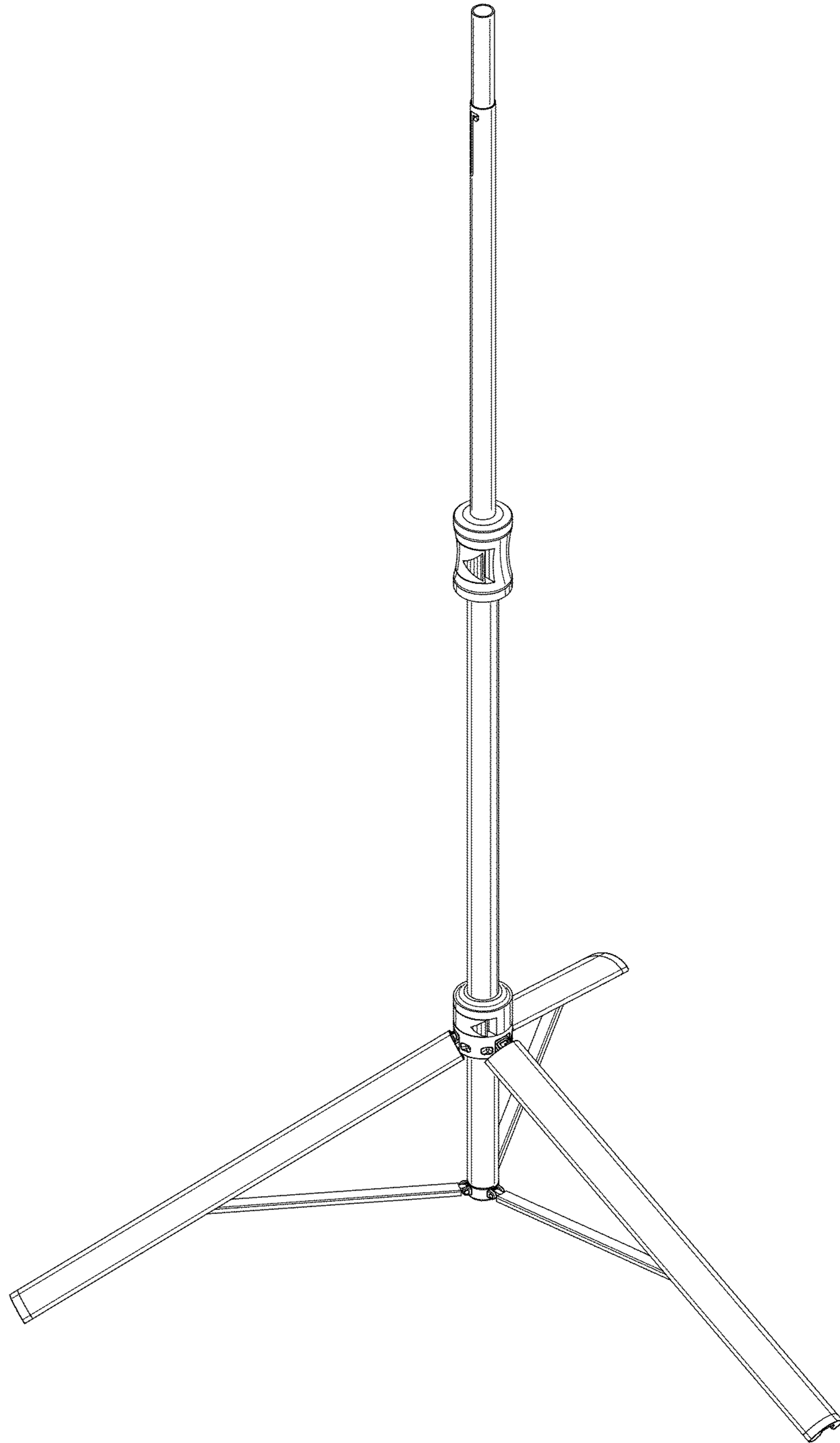


FIG. 1

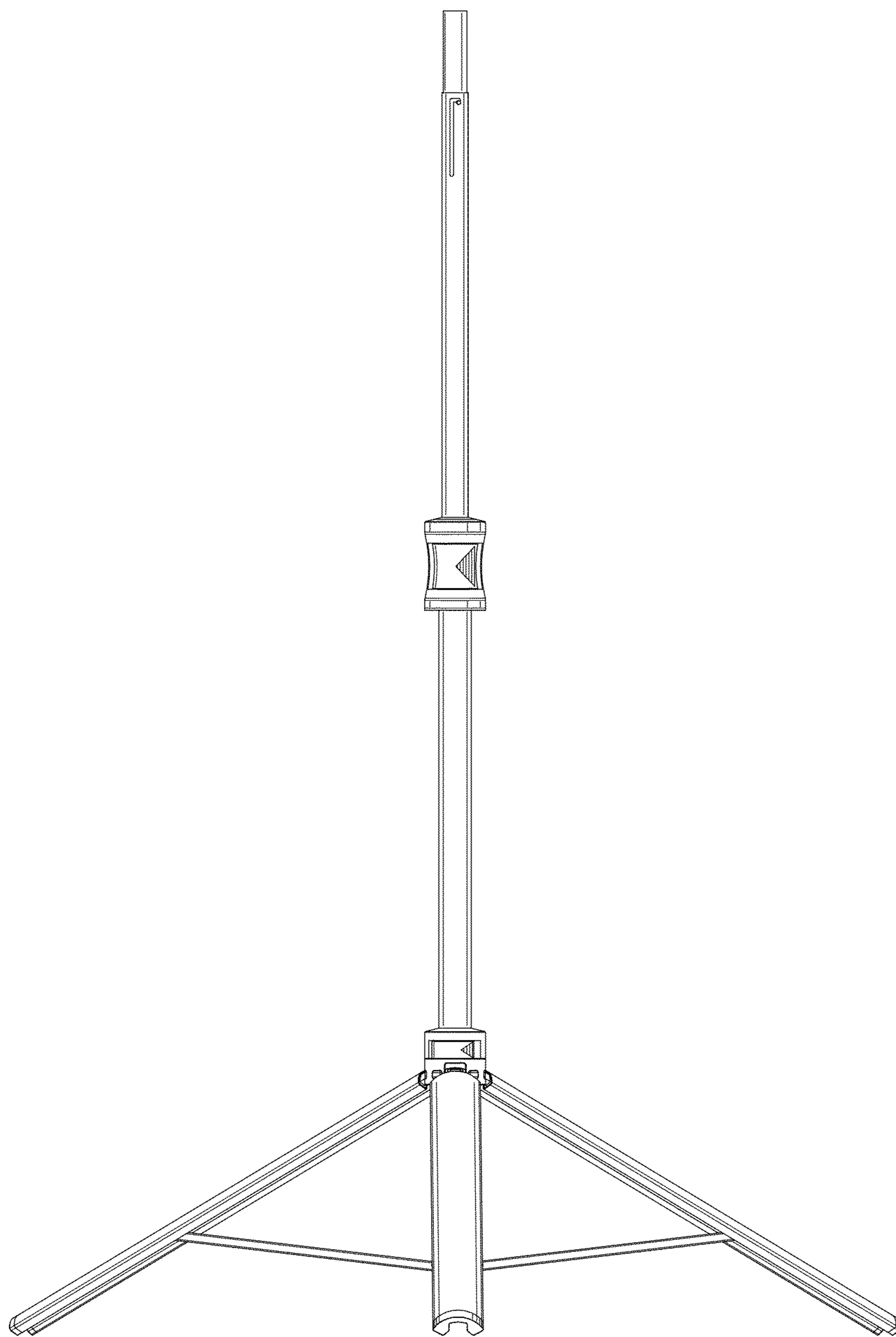


FIG. 2

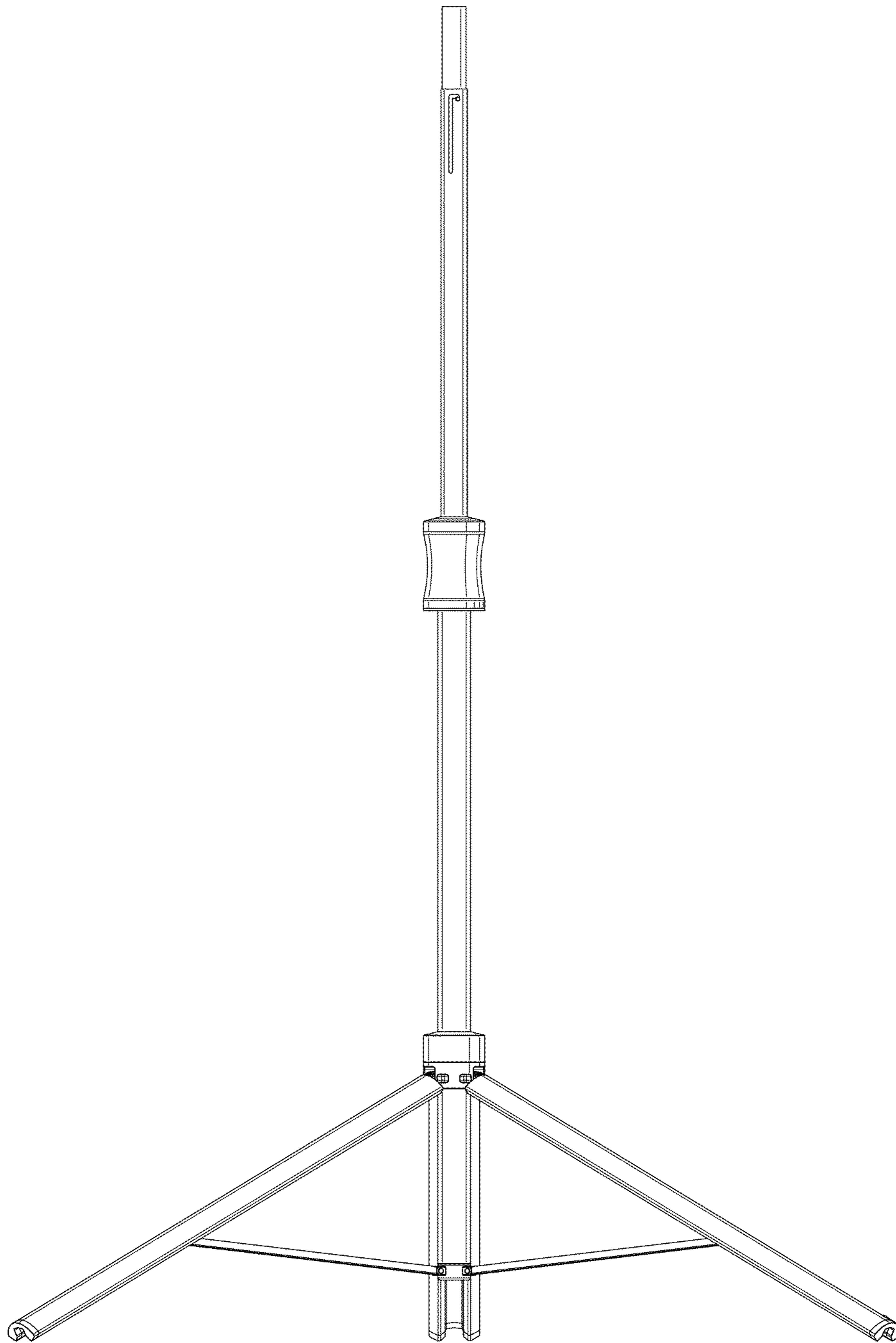


FIG. 3



FIG. 4

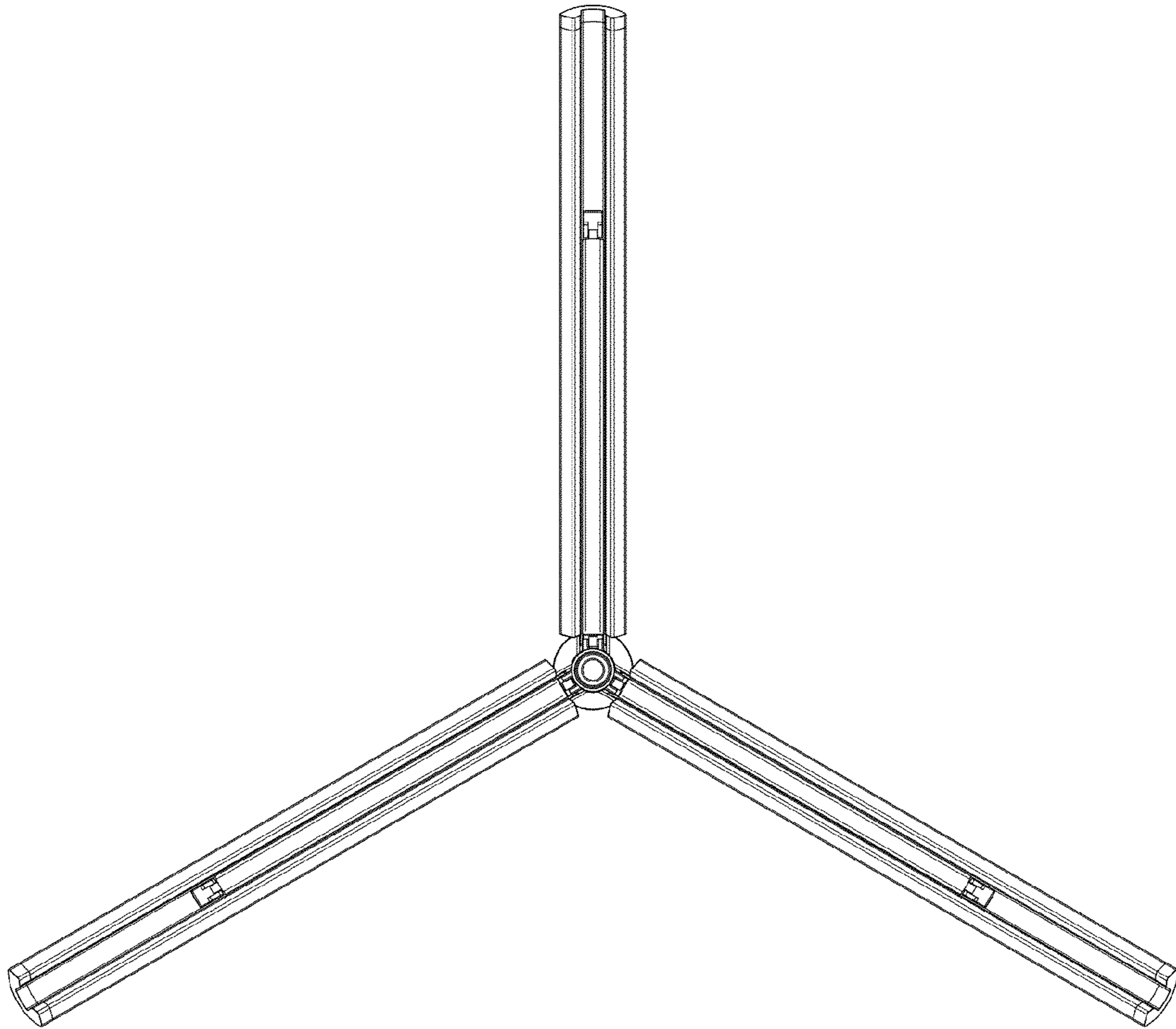


FIG. 5

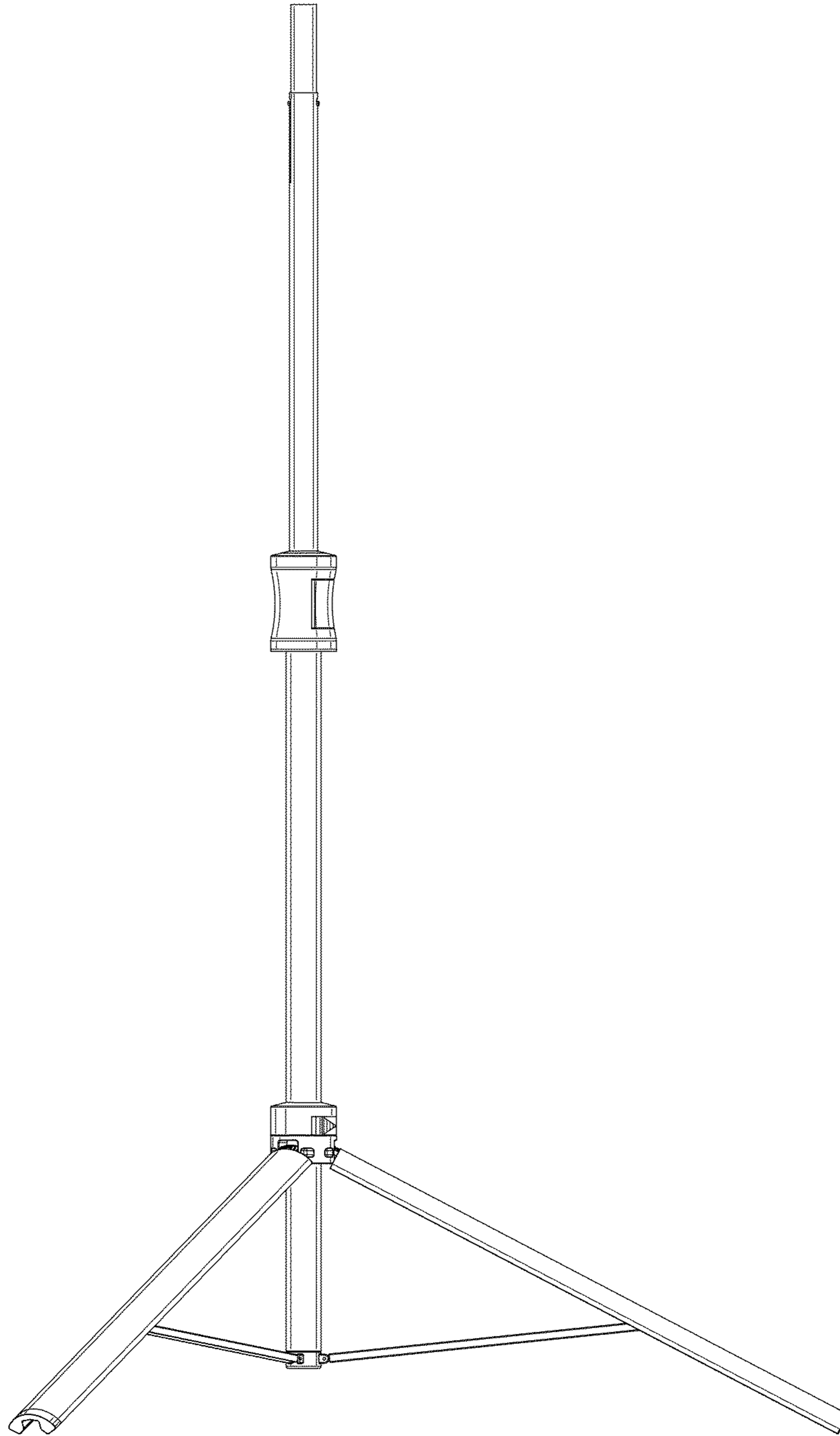


FIG. 6

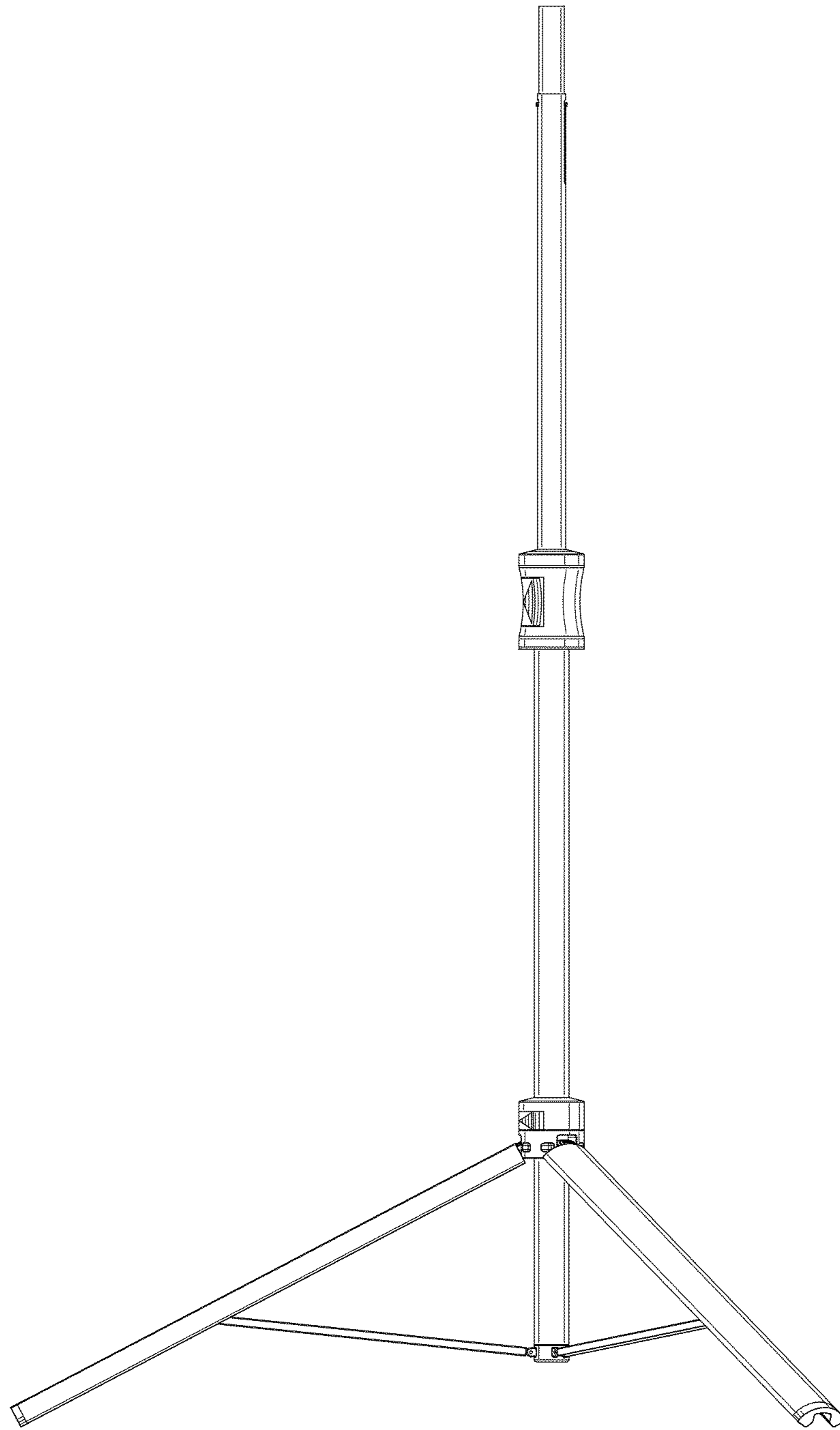


FIG. 7

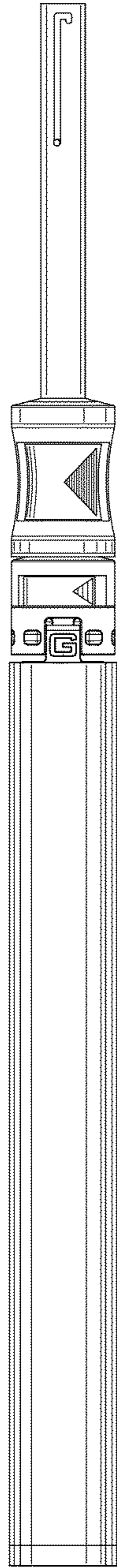


FIG. 8

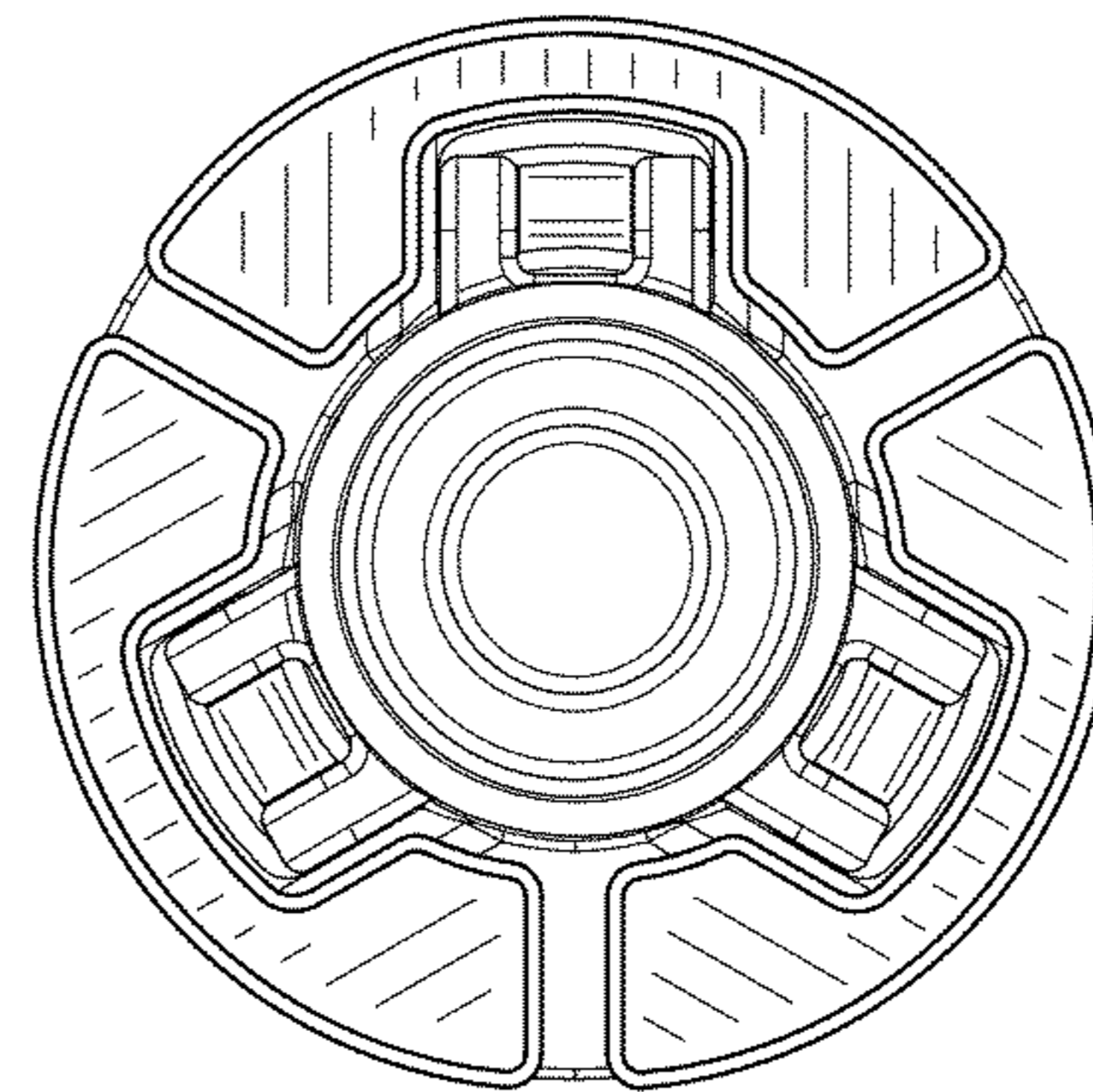


FIG. 9