

US00D720383S

(12) **United States Design Patent**  
**Ralph**

(10) **Patent No.:** **US D720,383 S**

(45) **Date of Patent:** **\*\* Dec. 30, 2014**

(54) **SPEARGUN CAMERA HOLDER ASSEMBLY**

(71) Applicant: **David T. Ralph**, Miami, FL (US)

(72) Inventor: **David T. Ralph**, Miami, FL (US)

(\*\*) Term: **14 Years**

(21) Appl. No.: **29/459,216**

(22) Filed: **Jun. 27, 2013**

(51) **LOC (10) Cl.** ..... **16-05**

(52) **U.S. Cl.**  
USPC ..... **D16/242; D22/102**

(58) **Field of Classification Search**  
USPC ..... D8/349, 354, 355; D12/5, 6, 114, 223,  
D12/316; D14/230-239, 247, 299, 354,  
D14/358; D16/200, 201, 202, 209, 219,  
D16/237, 239, 240, 242, 243, 245;  
D21/769-771, 801, 803, 809; 114/253,  
114/345, 346; 224/412-427, 447, 443, 445,  
224/446, 448, 451, 452, 908; 248/187.1,  
248/218.4, 300, 309.1, 316.1, 317;  
343/700 R, 878-892; 348/373, 374,  
348/375, 376; 396/419, 422, 428; 441/35,  
441/40, 41, 42, 66, 74, 129-132; 455/561;  
472/128, 129

See application file for complete search history.

(56) **References Cited**

**U.S. PATENT DOCUMENTS**

D340,939 S \* 11/1993 Sano ..... D16/219  
D399,863 S \* 10/1998 LaCicero ..... D16/242

6,574,054 B2 \* 6/2003 Hirai et al. .... 359/819  
D490,028 S \* 5/2004 Orsini ..... D12/114  
D564,419 S \* 3/2008 Clontz ..... D12/114  
7,390,130 B2 \* 6/2008 Soulvie ..... 396/419  
D677,748 S \* 3/2013 Samuels ..... D21/771  
D687,112 S \* 7/2013 Samuels ..... D21/771  
D693,799 S \* 11/2013 Badillo et al. .... D14/247  
D697,570 S \* 1/2014 Samuels ..... D21/771  
2002/0051305 A1 \* 5/2002 Hirai et al. .... 359/819  
2007/0081817 A1 \* 4/2007 Soulvie ..... 396/419

\* cited by examiner

*Primary Examiner* — Susan Bennett Hattan

*Assistant Examiner* — Leanne Was

(74) *Attorney, Agent, or Firm* — Mark V. Loen

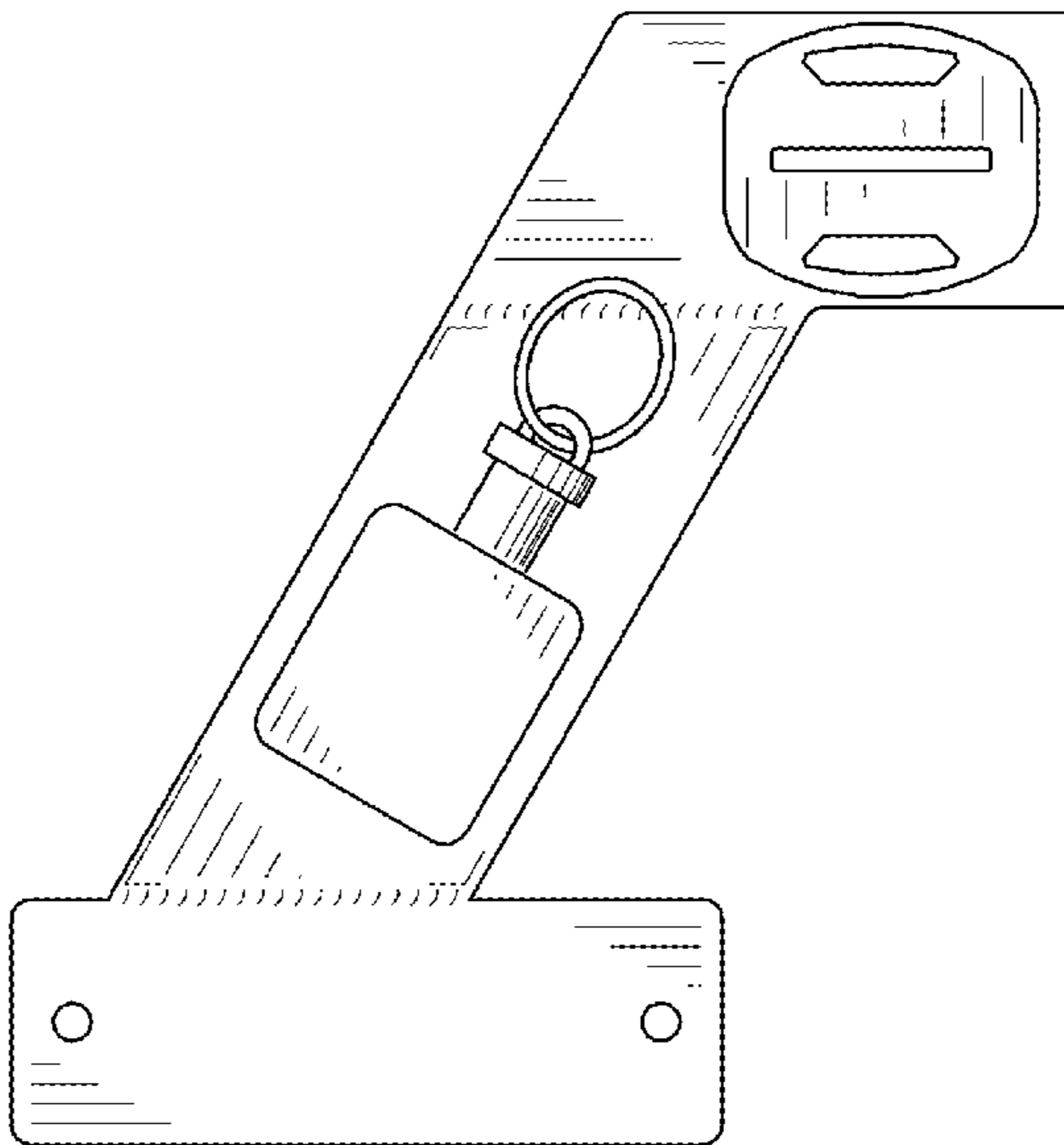
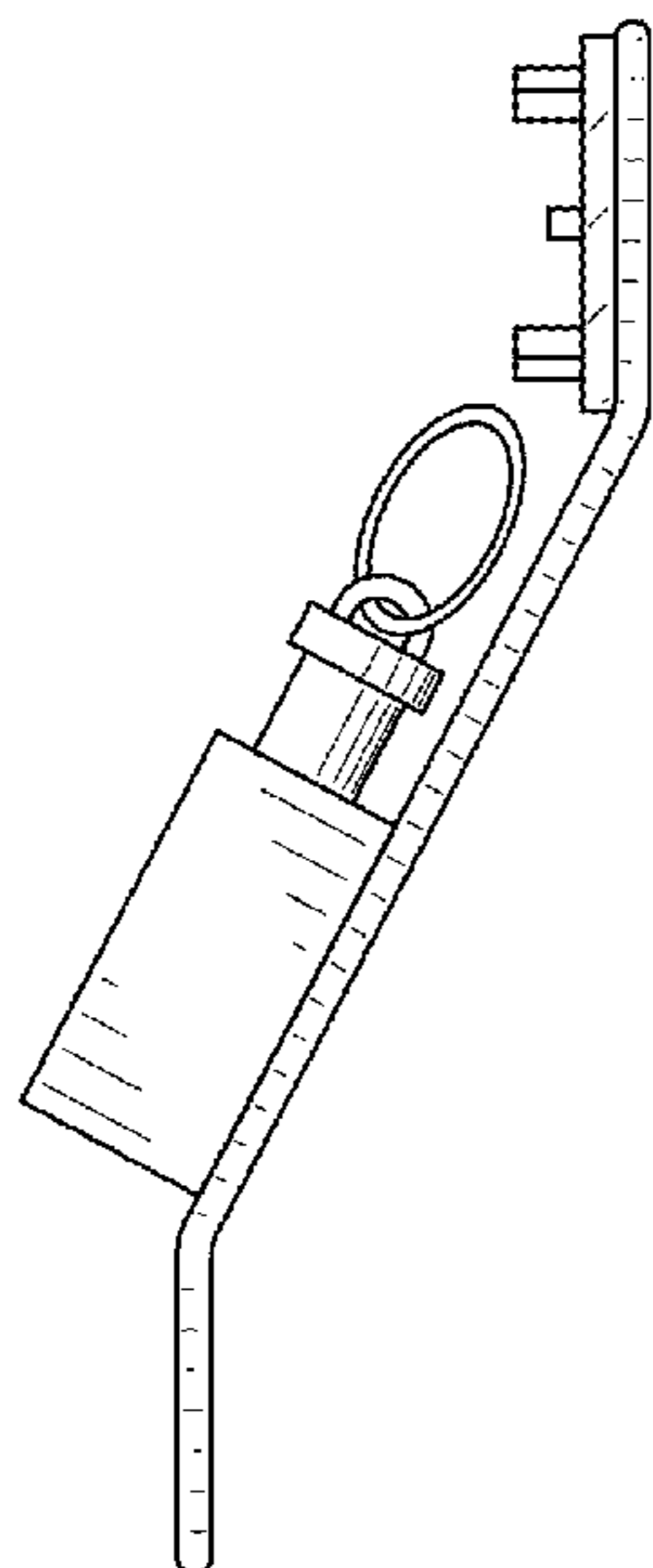
(57) **CLAIM**

I claim the ornamental design for a speargun camera holder assembly, as shown and described.

**DESCRIPTION**

FIG. 1 is a side view of the speargun camera holder assembly, showing the mounting plate, lanyard, and camera base; FIG. 2 is a bottom view of the speargun camera holder assembly showing the mounting plate portion; FIG. 3 is a top view of the speargun camera holder assembly showing the mounting plate, lanyard, and camera base; and, FIG. 4 is a perspective view of the assembled speargun camera holder assembly on a speargun. The broken lines shown in FIG. 4 are for purposes of illustrating environmental structure associated with the claimed design in condition of use, and which forms no part of the claimed design.

**1 Claim, 3 Drawing Sheets**



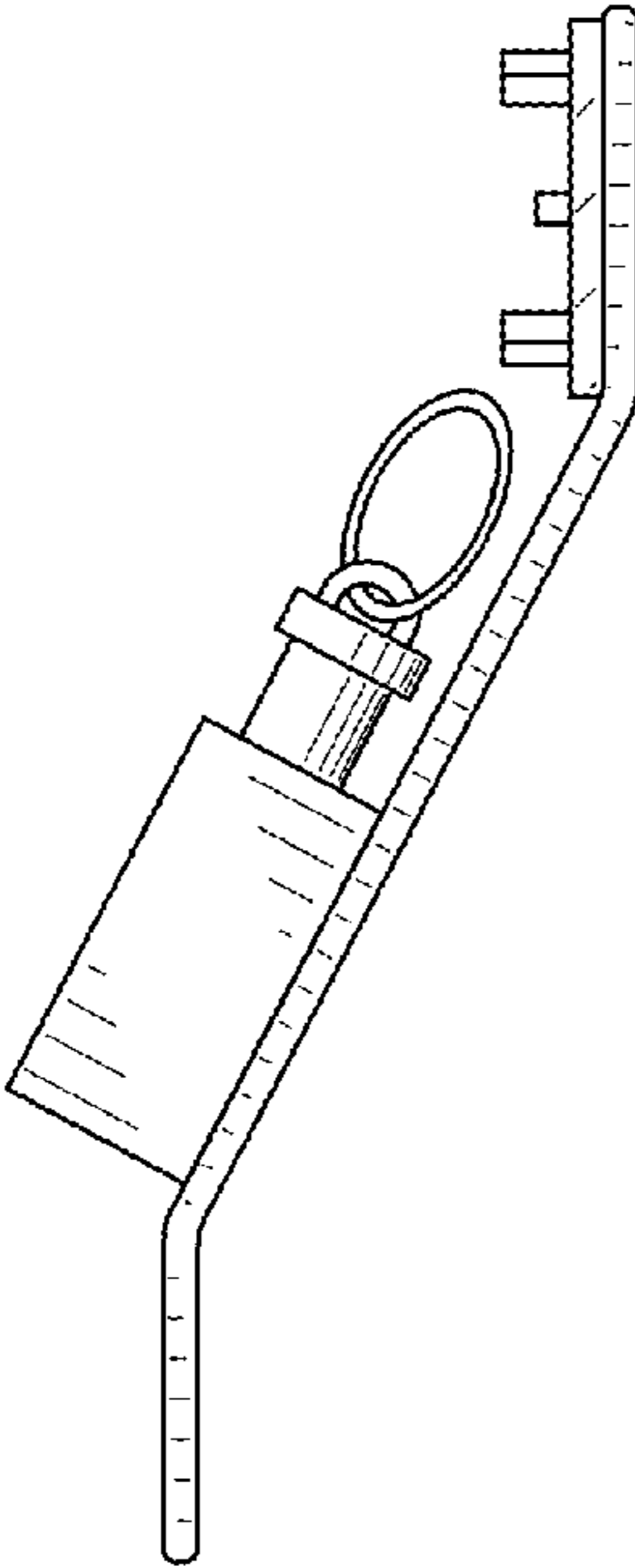


FIG. 1

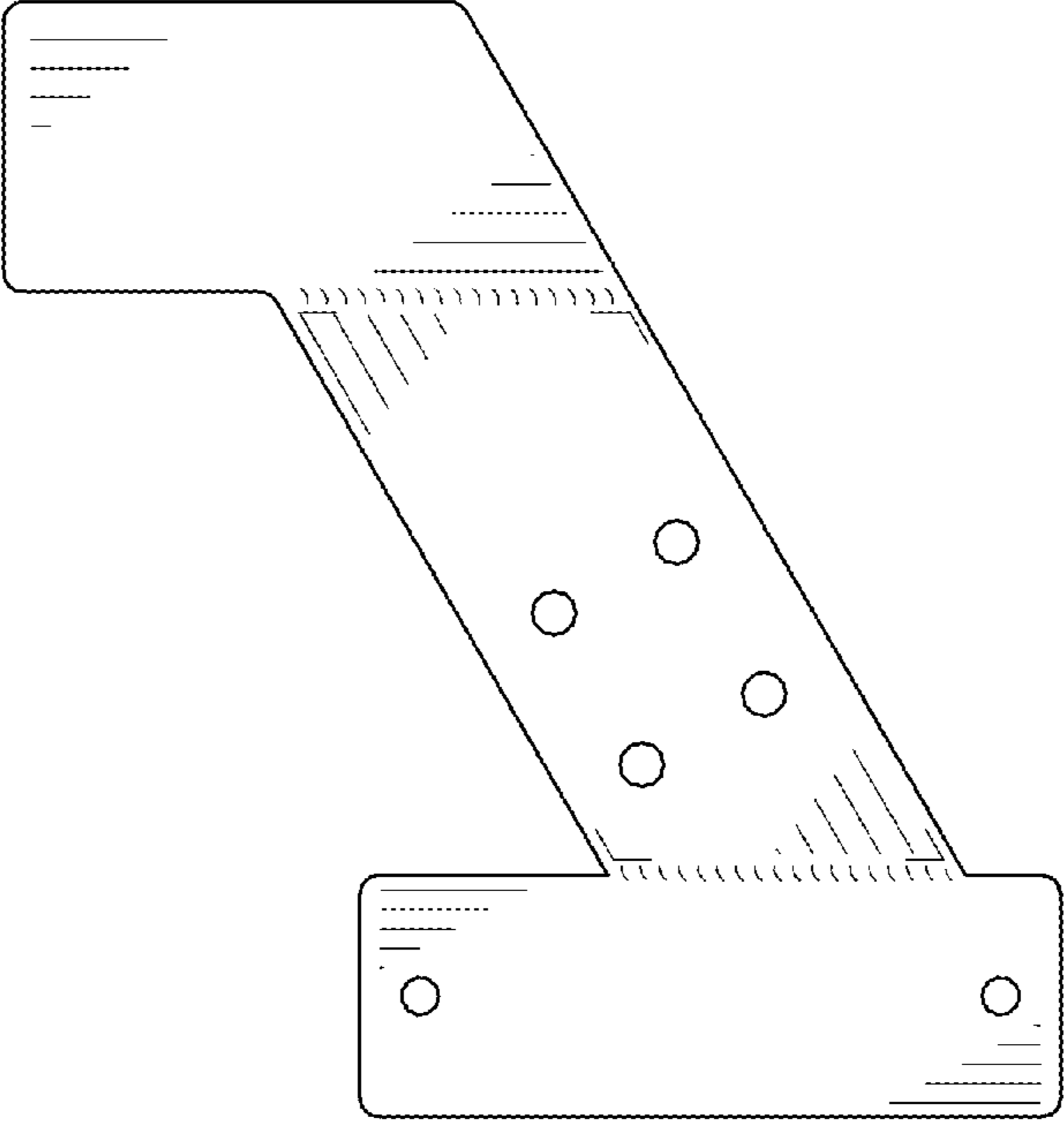


FIG. 2

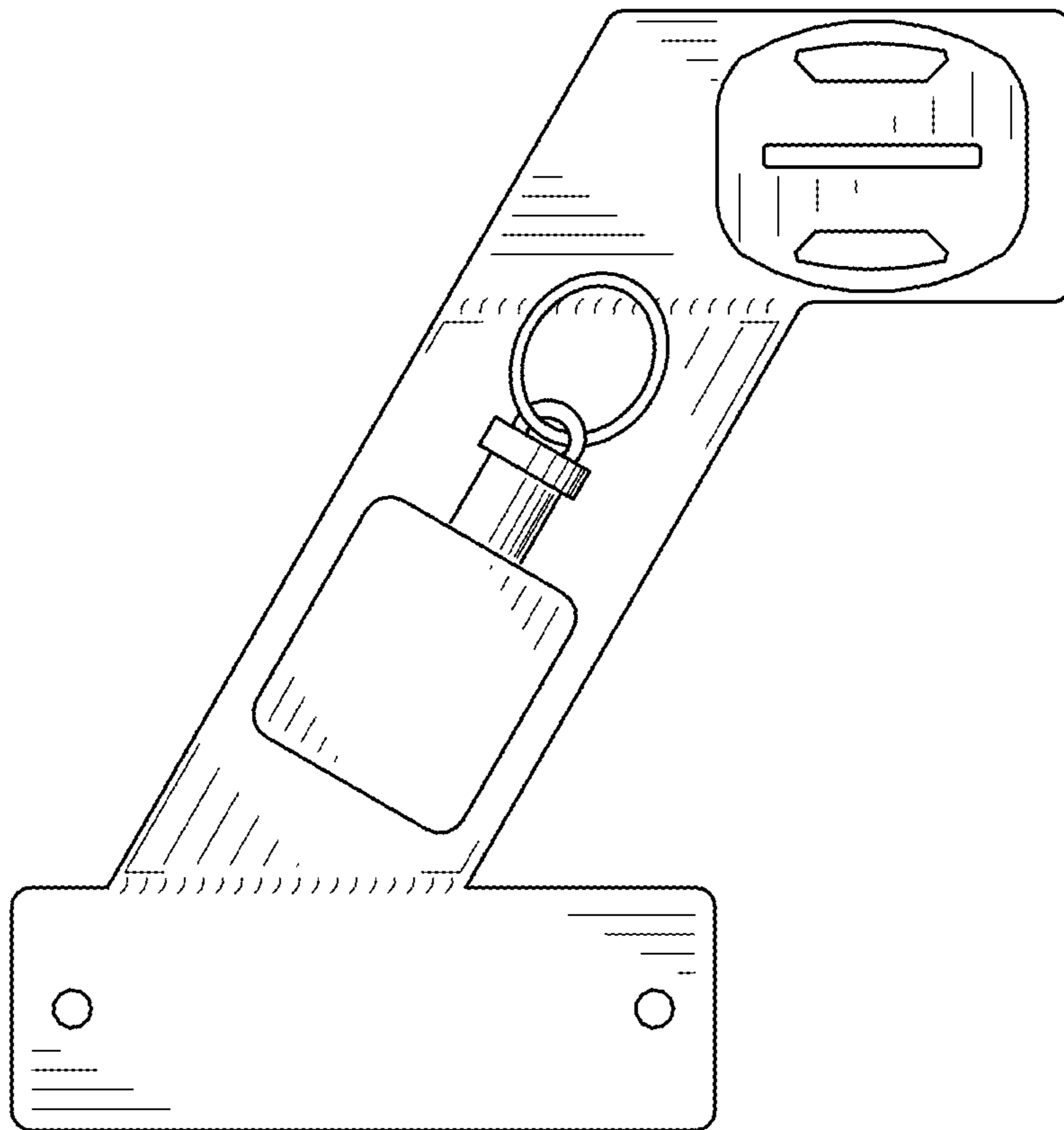


FIG. 3

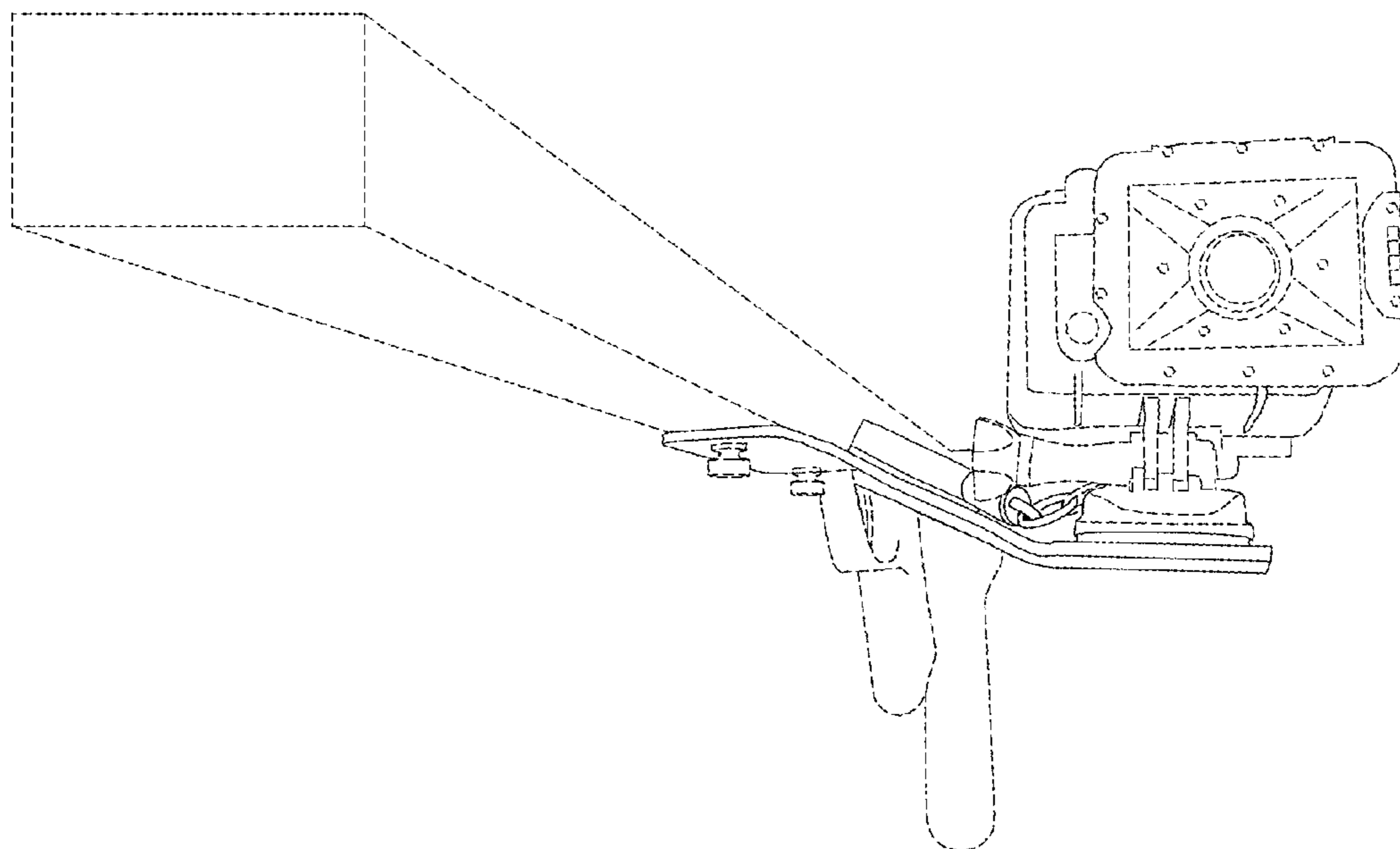


FIG. 4