



US00D720382S

(12) **United States Design Patent**  
**Szarawarski**

(10) **Patent No.:** **US D720,382 S**

(45) **Date of Patent:** **\*\* Dec. 30, 2014**

(54) **CAMERA TO CRANIUM ADAPTER**

(71) Applicant: **Steven James Szarawarski**, Belmar, NJ (US)

(72) Inventor: **Steven James Szarawarski**, Belmar, NJ (US)

(\*\*) Term: **14 Years**

(21) Appl. No.: **29/466,903**

(22) Filed: **Sep. 12, 2013**

(51) **LOC (10) Cl.** ..... **16-05**

(52) **U.S. Cl.**

USPC ..... **D16/237**

(58) **Field of Classification Search**

USPC ..... D16/134, 136, 200, 202, 218, 219, 237, D16/238, 239, 242, 245, 250; 348/373, 374; 362/3, 16-18, 182, 552; 396/419, 540, 396/541; D8/323, 331, 349, 354; D26/118; D3/219, 267-278; D9/435, 445, 453, D9/454

See application file for complete search history.

(56) **References Cited**

**U.S. PATENT DOCUMENTS**

D261,236 S *	10/1981	Williams	.....	D9/435
D425,540 S *	5/2000	Hubbell	.....	D16/242
7,572,074 B2 *	8/2009	Teratani	.....	396/428
D663,350 S *	7/2012	O'Donnell et al.	.....	D16/242
D678,386 S *	3/2013	Huguley	.....	D16/243
D700,499 S *	3/2014	Tung	.....	D8/331
D701,261 S *	3/2014	Burton	.....	D16/242
D703,720 S *	4/2014	Umehara et al.	.....	D16/237
2011/0101191 A1 *	5/2011	Suciu et al.	.....	248/343
2013/0056592 A1 *	3/2013	Greenhalgh	.....	248/70

\* cited by examiner

*Primary Examiner* — Robert M Spear

*Assistant Examiner* — Marissa J Cash

(74) *Attorney, Agent, or Firm* — Patterson & Sheridan, LLP

(57) **CLAIM**

An ornamental design for a camera to cranium adapter, as shown.

**DESCRIPTION**

FIG. 1 is a top perspective back view of a camera to cranium adapter suitable for stabilizing a camera to a head of a photographer.

FIG. 2 is a bottom perspective front view of the camera to cranium adapter.

FIG. 3 is a back plan view of the camera to cranium adapter

FIG. 4 is a bottom view of the camera to cranium adapter.

FIG. 5 is a front plan view of the camera to cranium adapter.

FIG. 6 is a top view of the camera to cranium adapter.

FIG. 7 is a right side plan view of the camera to cranium adapter.

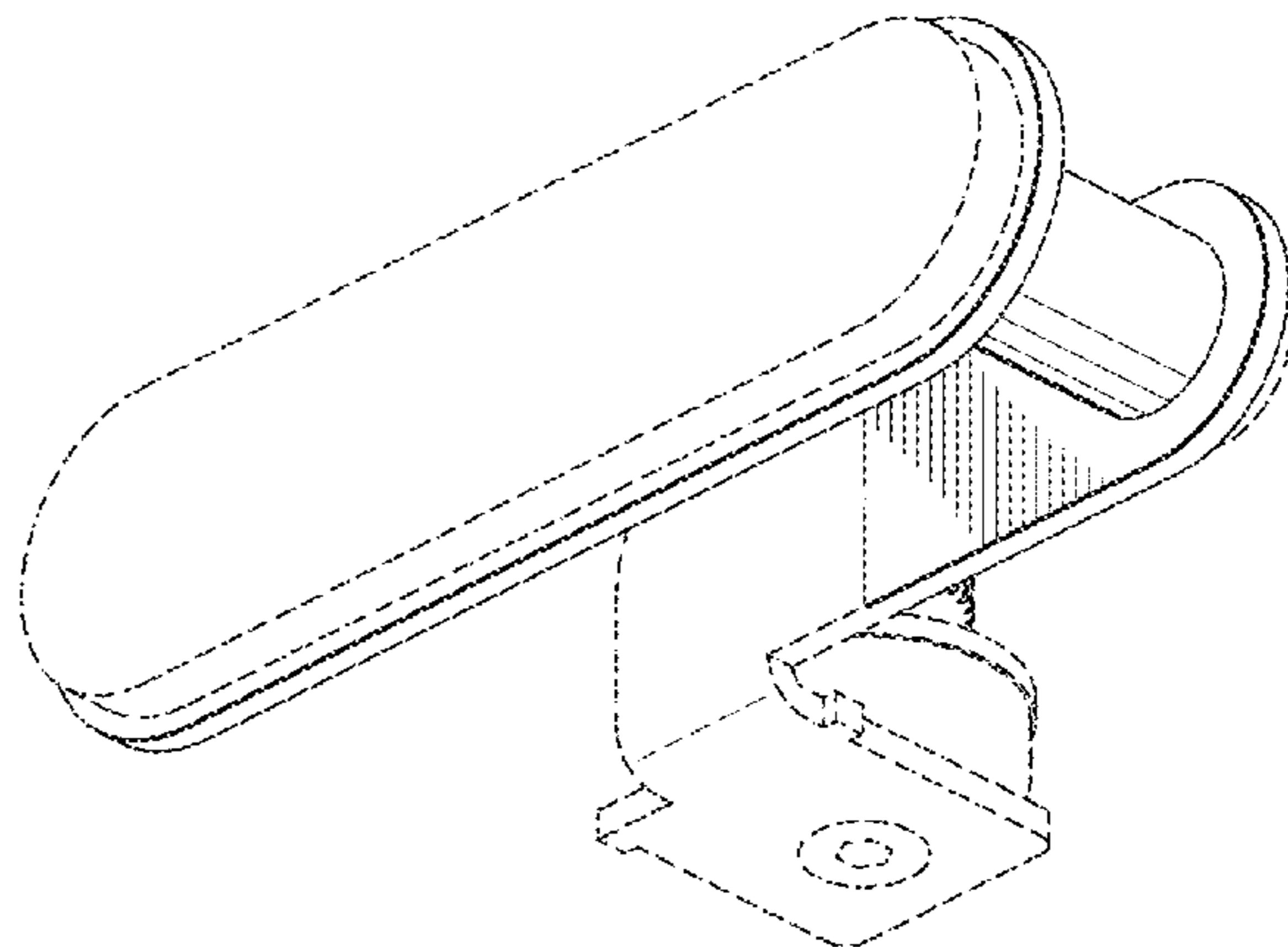
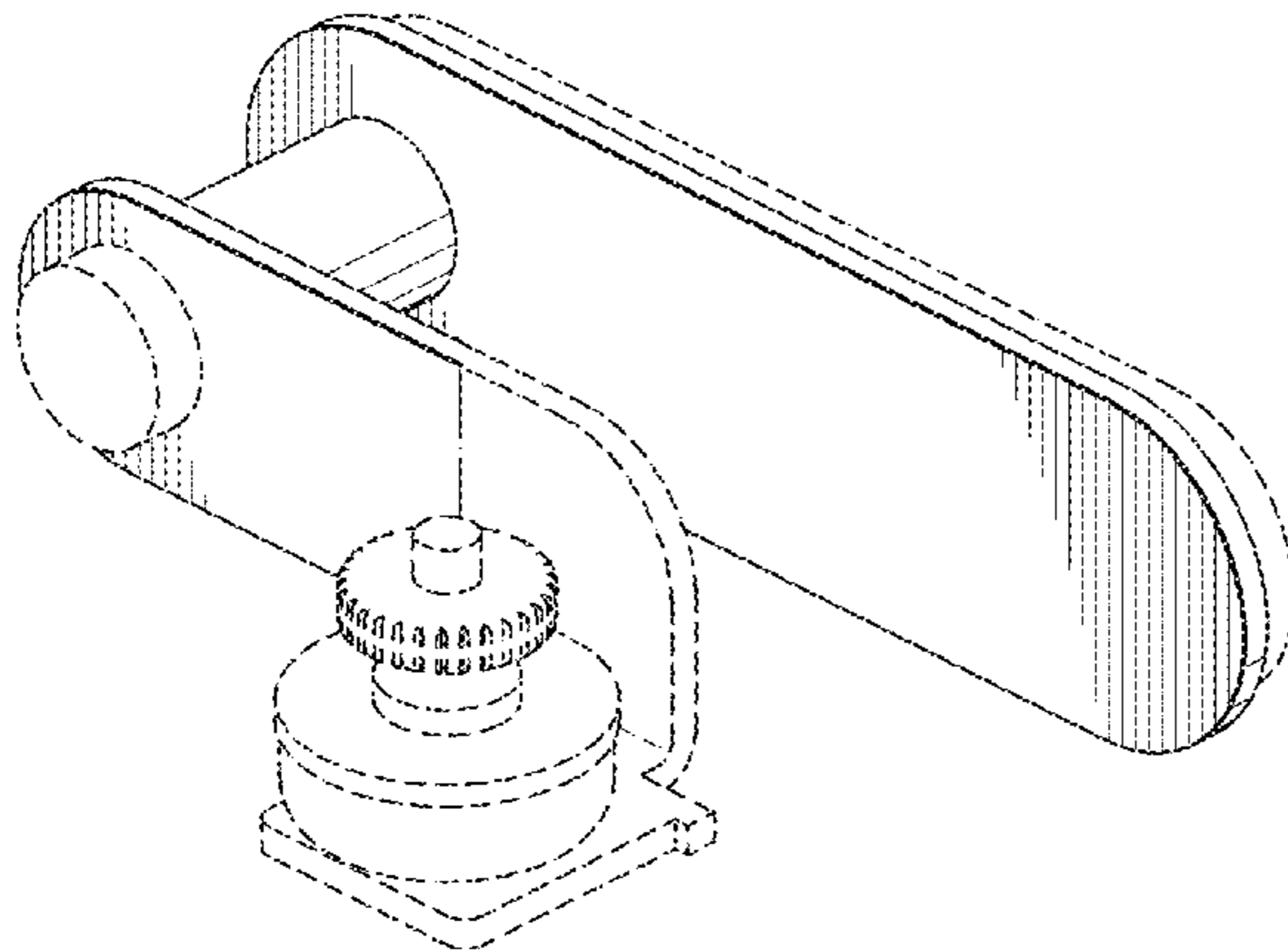
FIG. 8 is a left side plan view of the camera to cranium adapter.

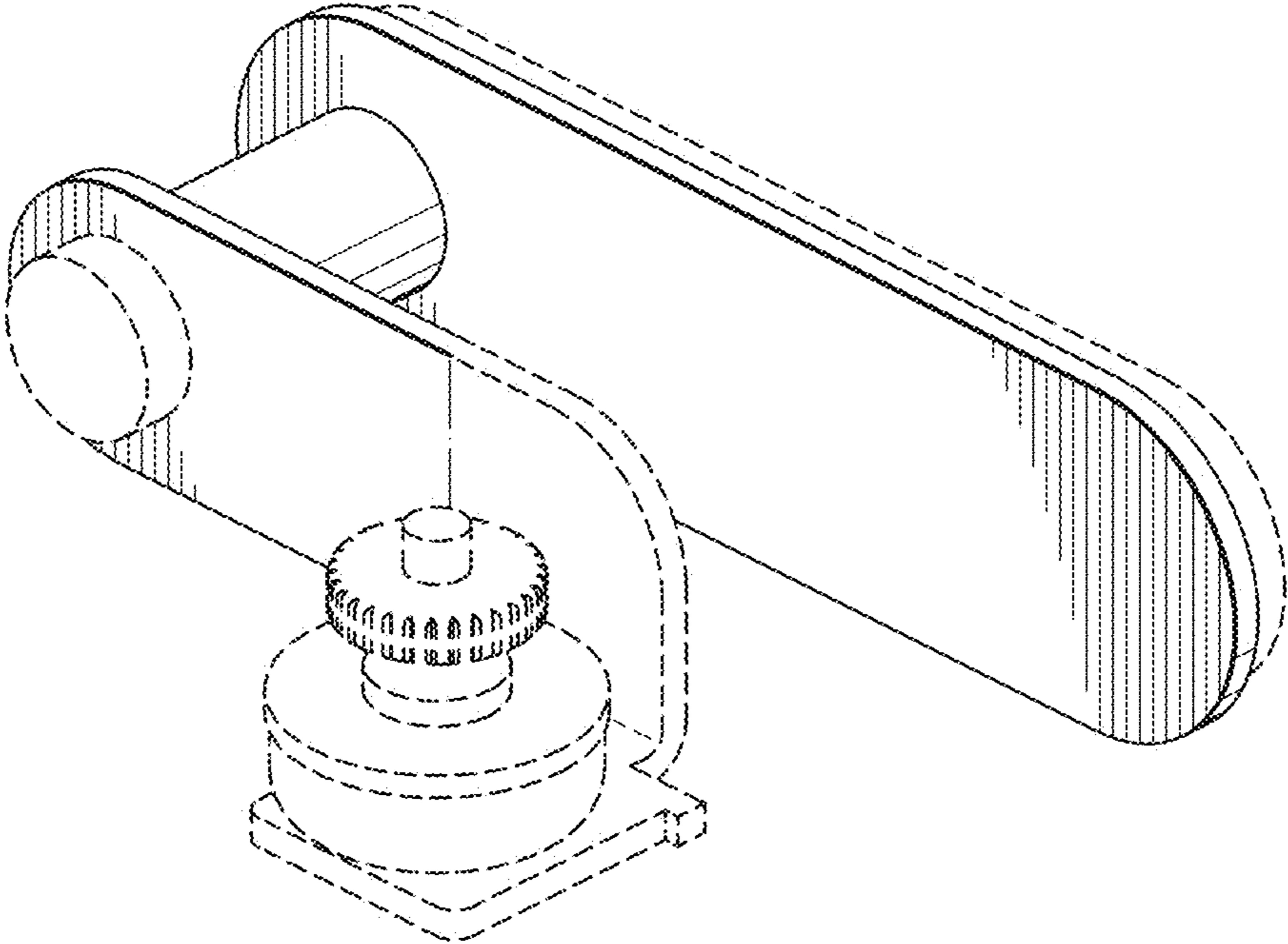
FIG. 9 is a perspective view of the camera to cranium adapter mounted to a camera and adjusted to a position suitable for taking landscape photographs; and,

FIG. 10 is a perspective view of the camera to cranium adapter mounted to a camera and adjusted to a position suitable for taking portrait photographs.

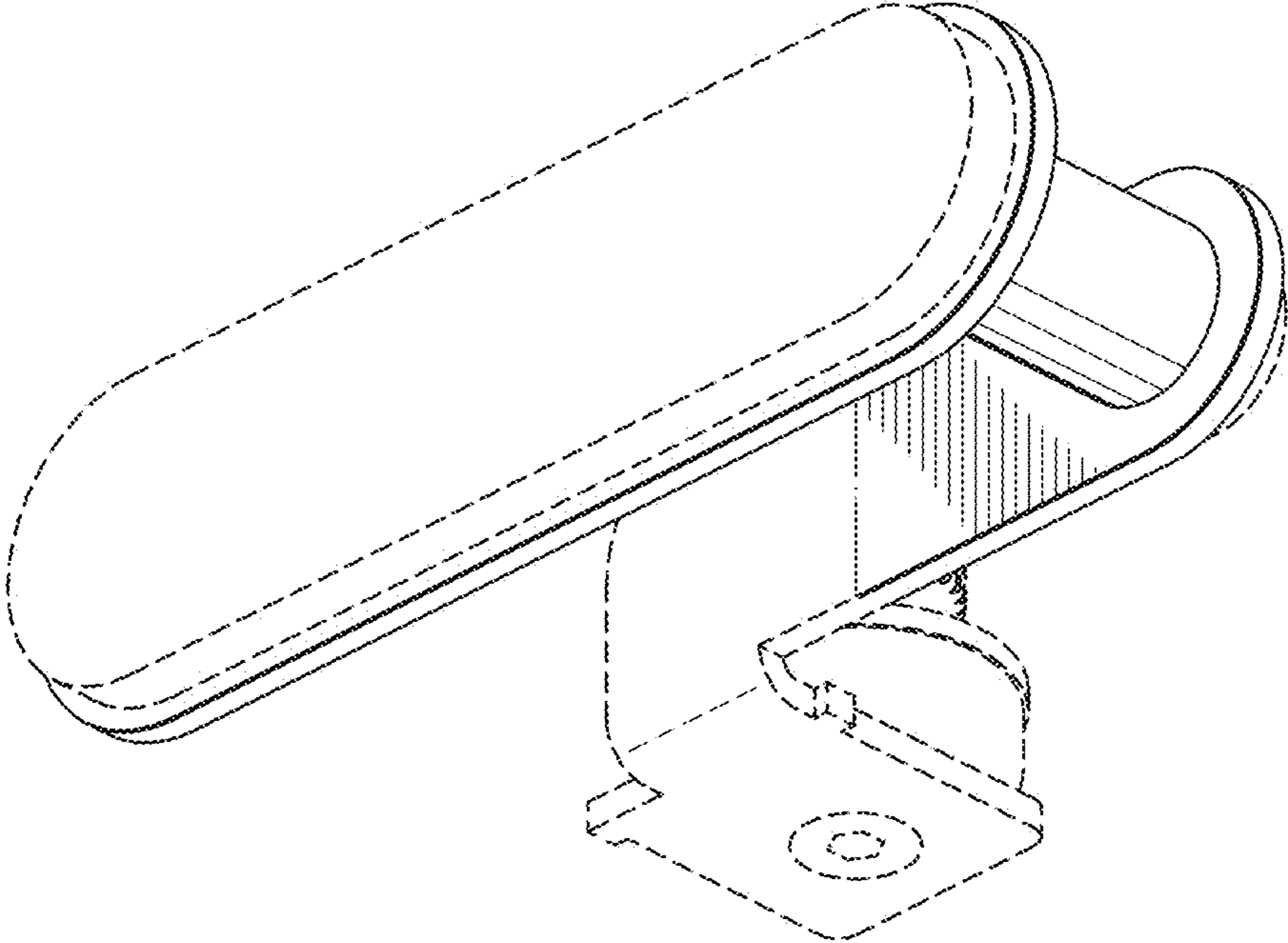
The broken lines in the figures form no part of the claimed design. Additionally, dash-dot-dash lines depict boundaries and form no part of the claimed design.

**1 Claim, 6 Drawing Sheets**

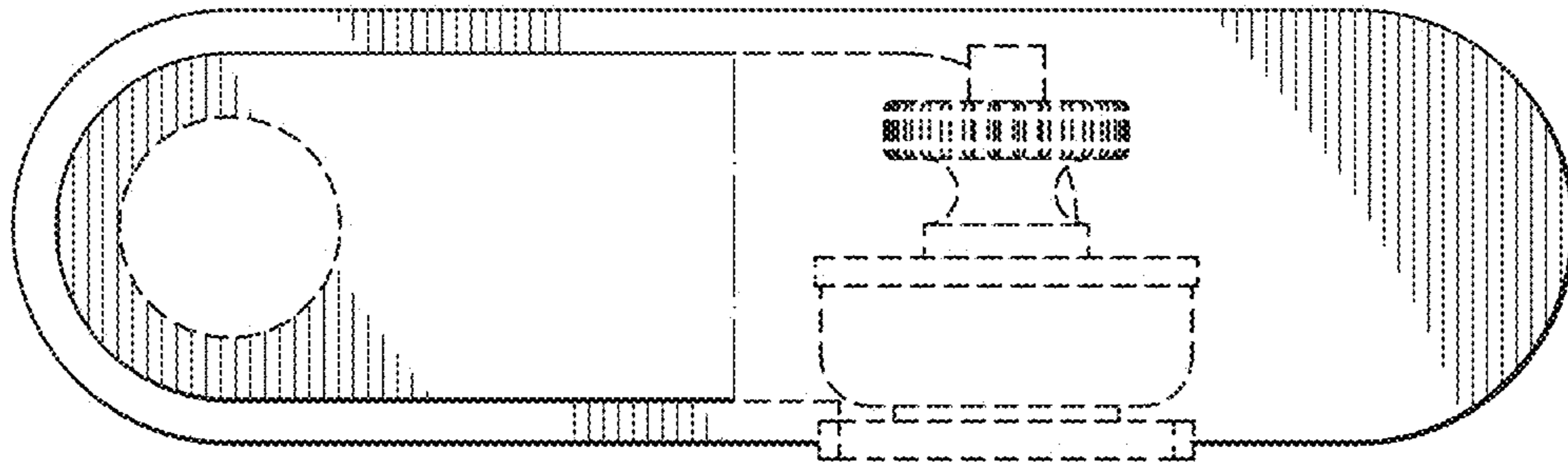




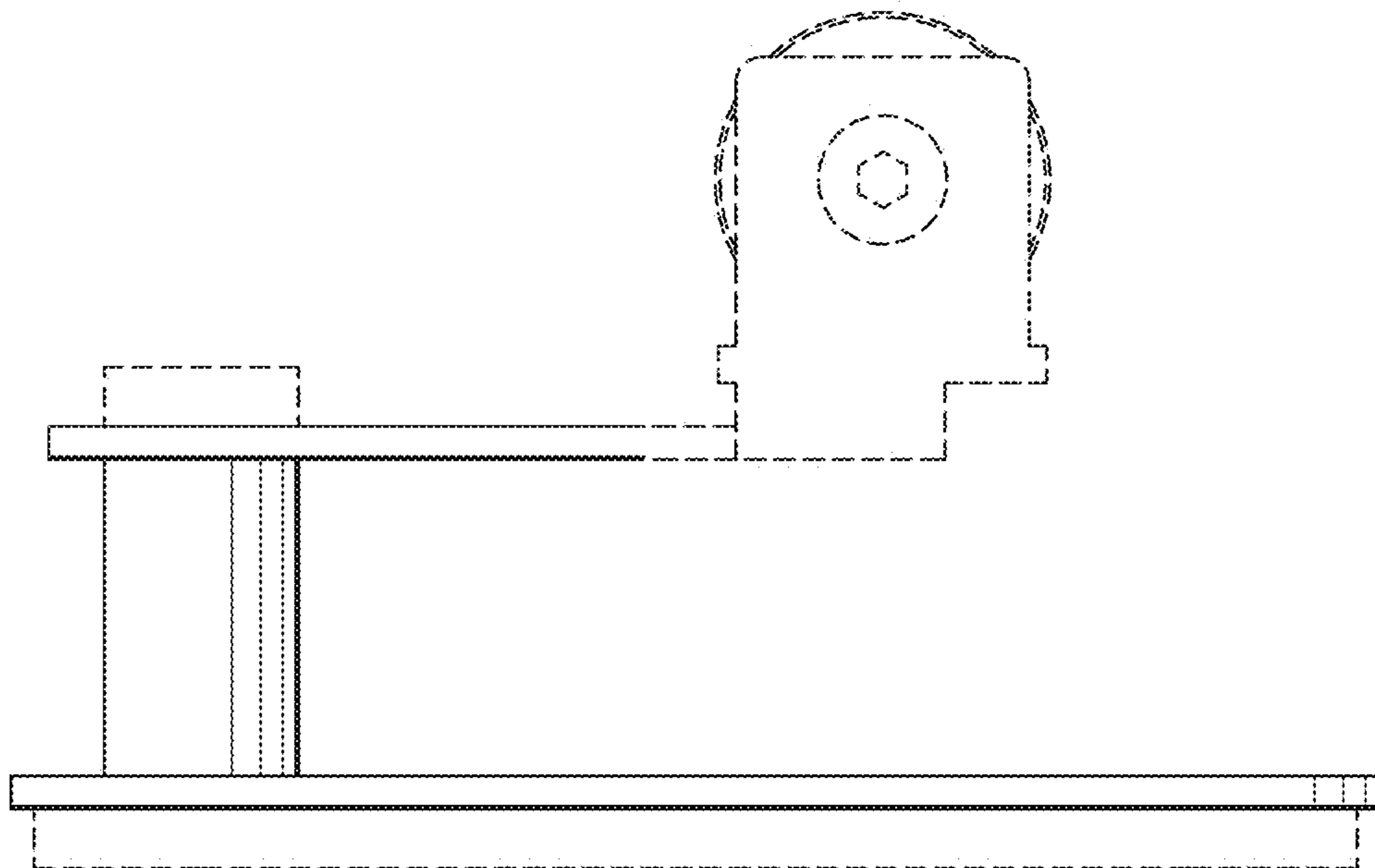
*Fig. 1*



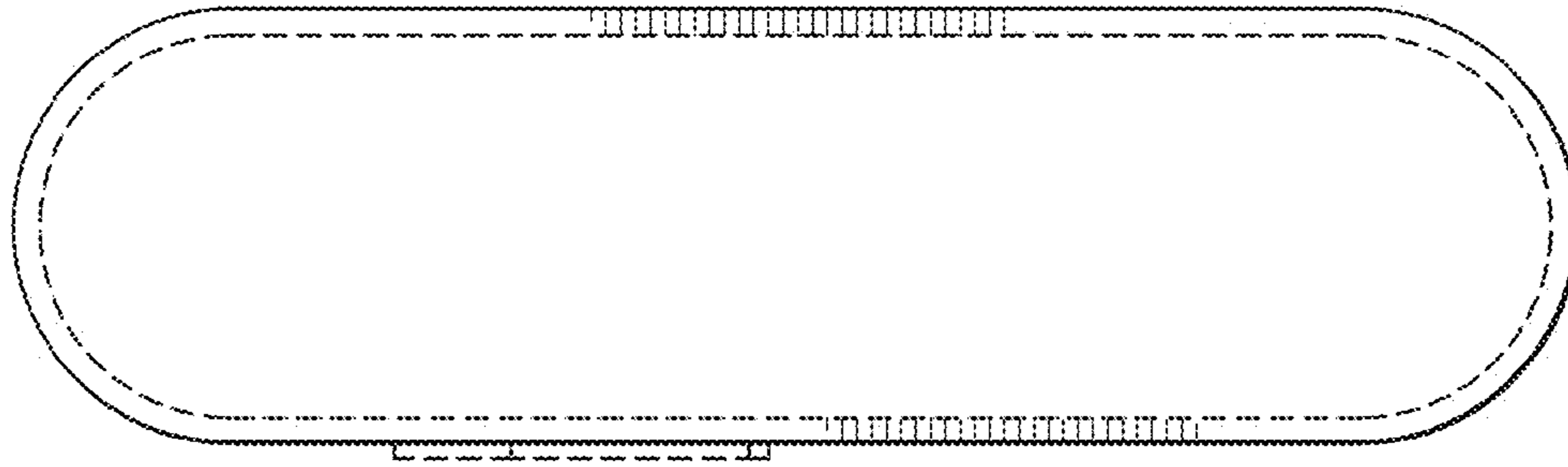
*Fig. 2*



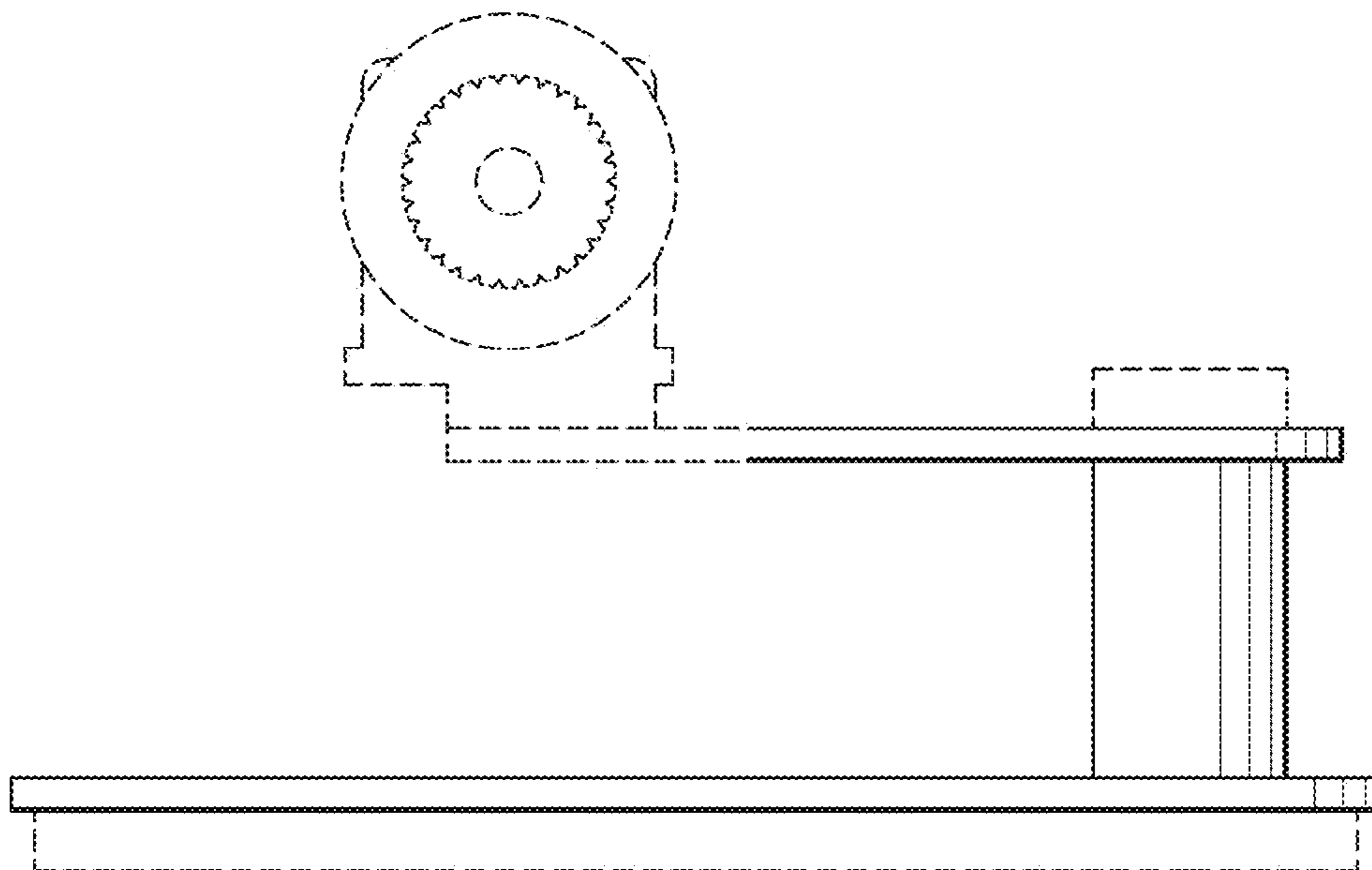
*Fig. 3*



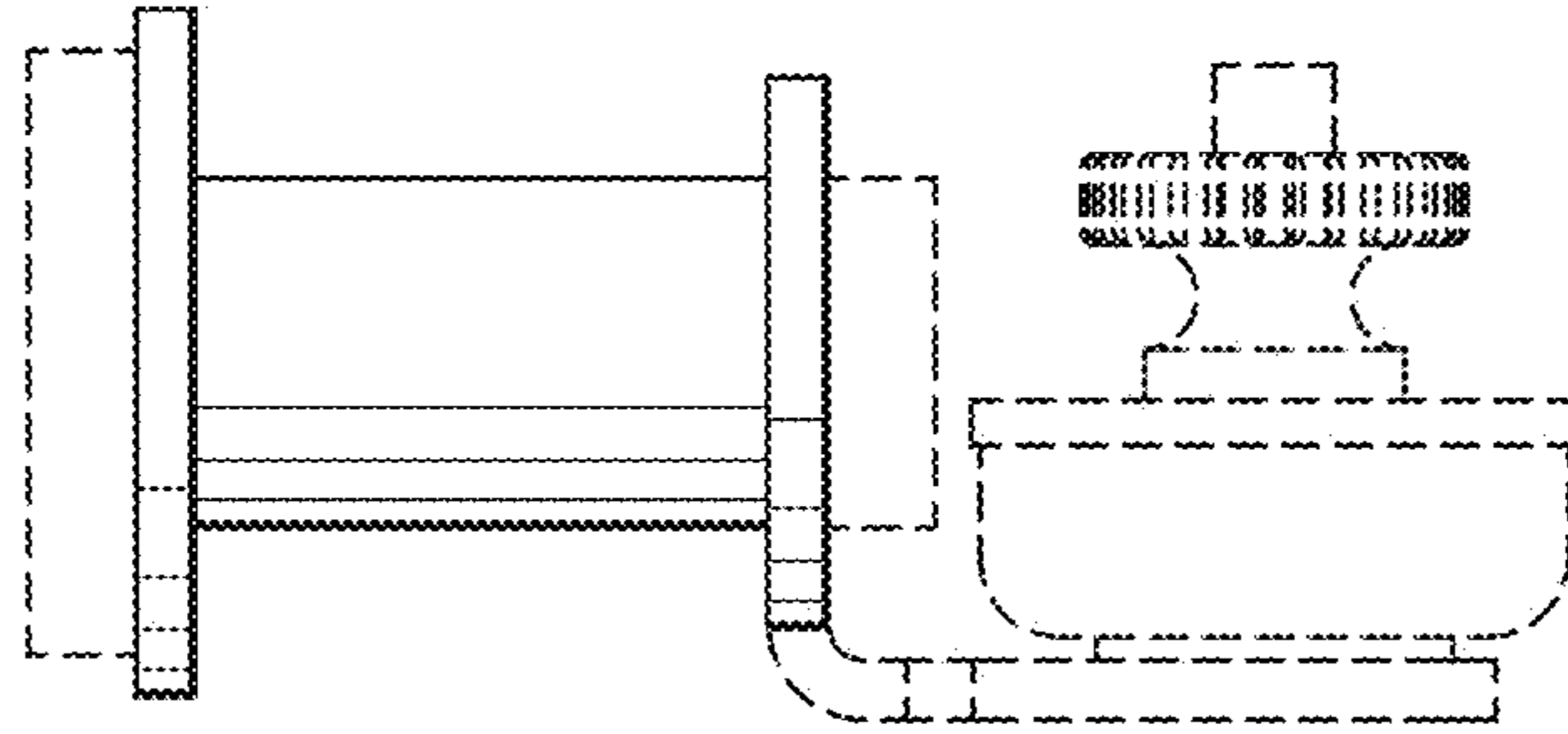
*Fig. 4*



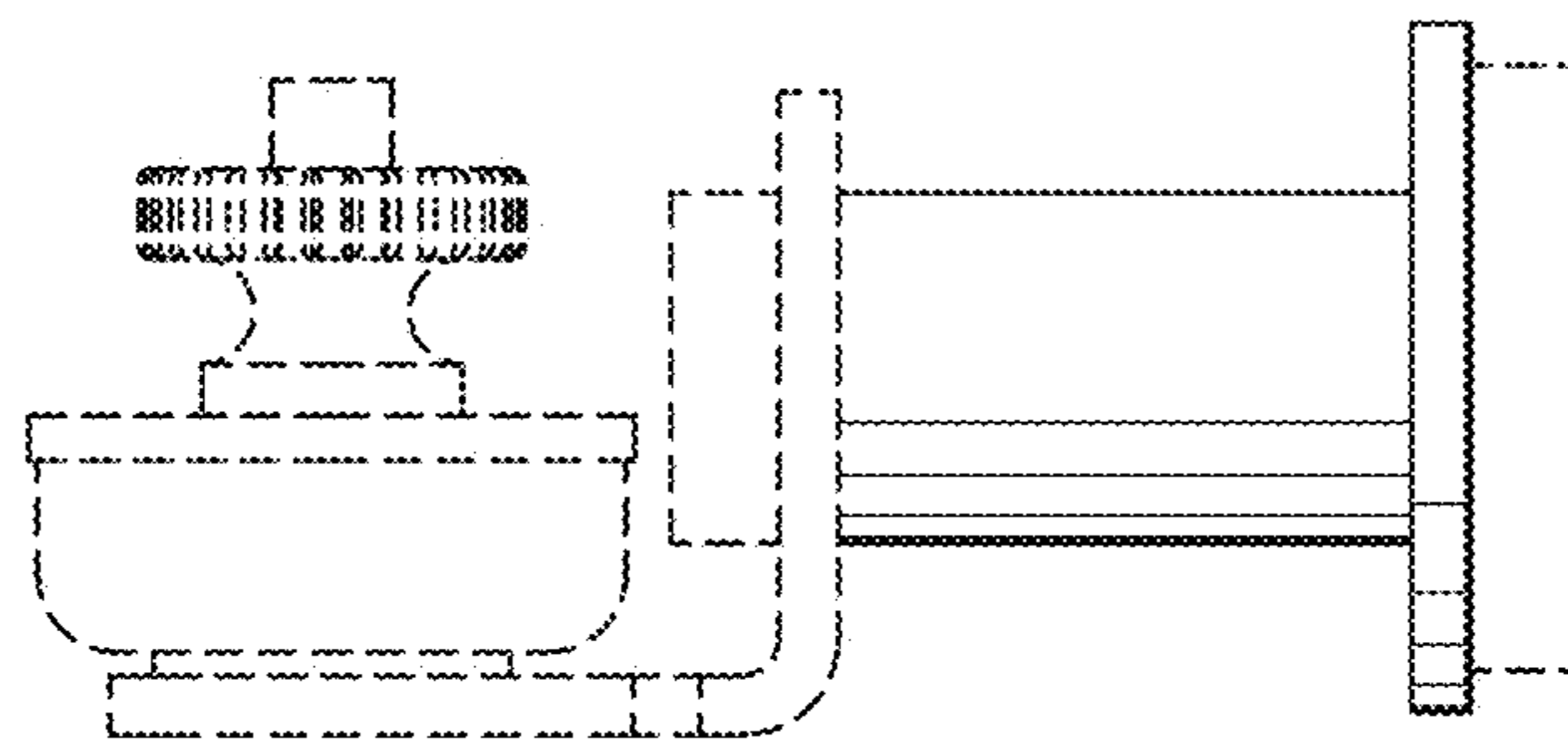
*Fig. 5*



*Fig. 6*



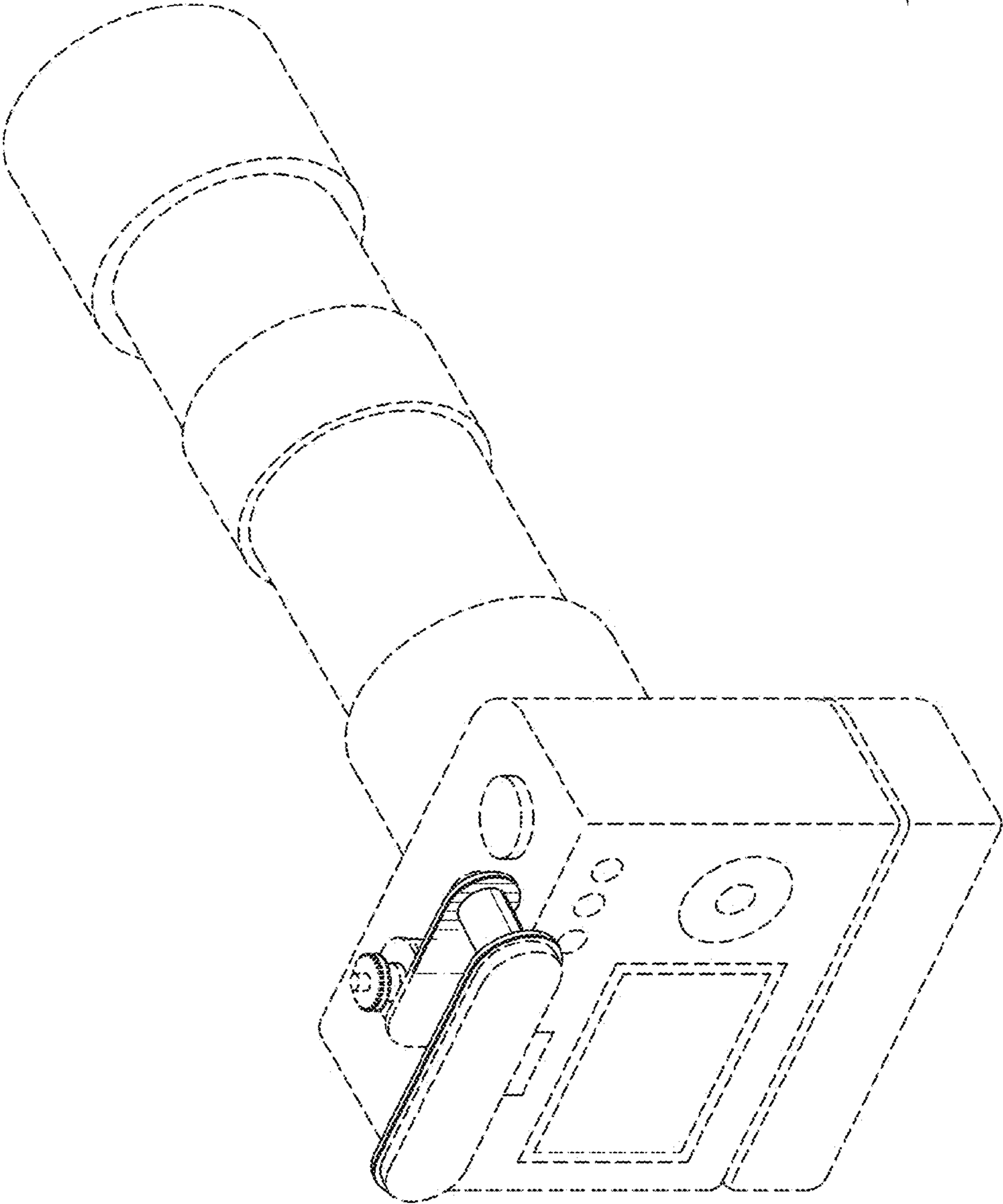
*Fig. 7*



*Fig. 8*



Fig. 9



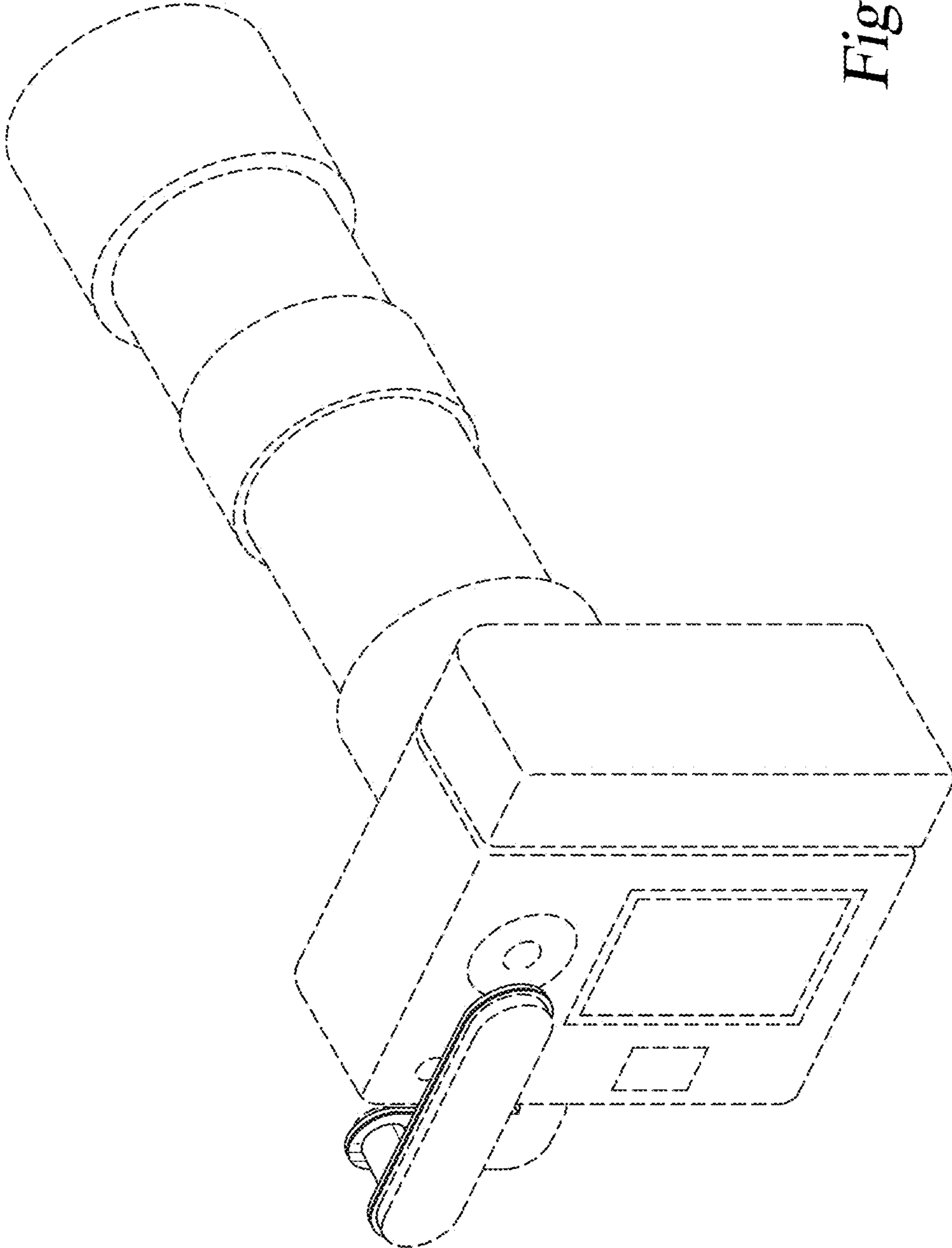


Fig. 10