



US00D720381S

(12) **United States Design Patent**  
**Kim et al.**

(10) **Patent No.:** **US D720,381 S**  
(45) **Date of Patent:** **\*\* Dec. 30, 2014**

(54) **CAMERA**

(71) Applicant: **Samsung Electronics Co., Ltd.**,  
Suwon-Si, Gyeonggi-Do (KR)  
(72) Inventors: **Joon Ha Kim**, Seoul (KR); **Woohyeok Jeong**, Seoul (KR)  
(73) Assignee: **Samsung Electronics Co., Ltd.**,  
Gyeonggi-do (KR)

(\*\*) Term: **14 Years**

(21) Appl. No.: **29/456,818**

(22) Filed: **Jun. 4, 2013**

(30) **Foreign Application Priority Data**

Dec. 24, 2012 (KR) ..... 30-2012-0062024

(51) **LOC (10) Cl.** ..... **16-05**

(52) **U.S. Cl.**  
USPC ..... **D16/219**

(58) **Field of Classification Search**

CPC ..... G03B 15/03; G03B 17/02; G03B 17/04;  
G03B 17/56; G03B 19/04; H04N 5/2251;  
H04N 5/2252; H04N 5/2253; H04N 5/2254;  
H04N 2101/00

USPC ..... D16/200, 202–206, 208, 218, 219;  
348/373–376; 396/535, 539–541

See application file for complete search history.

(56) **References Cited**

U.S. PATENT DOCUMENTS

D383,766	S	*	9/1997	Yamauchi et al.	.....	D16/202
D388,803	S	*	1/1998	Shinano	.....	D16/202
D389,500	S	*	1/1998	Krekelberg	.....	D16/202
D502,199	S	*	2/2005	Imai	.....	D16/202
D506,767	S	*	6/2005	Imai	.....	D16/202
D627,812	S	*	11/2010	Oikawa et al.	.....	D16/202
D663,345	S	*	7/2012	Tanifuji	.....	D16/219
D682,335	S	*	5/2013	Kim et al.	.....	D16/202
2007/0071438	A1	*	3/2007	Huang et al.	.....	396/535

\* cited by examiner

*Primary Examiner* — Adir Aronovich

*Assistant Examiner* — Ramzi Almatrahi

(74) *Attorney, Agent, or Firm* — Harness, Dickey & Pierce, P.L.C.

(57) **CLAIM**

The ornamental design for a camera, as shown and described.

**DESCRIPTION**

FIG. 1 is a front, right and top perspective view of a camera showing our new design;  
FIG. 2 is a front elevational view thereof;  
FIG. 3 is a rear elevational view thereof;  
FIG. 4 is a left-side elevational view thereof;  
FIG. 5 is a right-side elevational view thereof;  
FIG. 6 is a top plan view thereof; and,  
FIG. 7 is a bottom plan view thereof.

The broken line portions of the design embodied in the camera are shown for illustration only and form no part of the claimed design.

**1 Claim, 4 Drawing Sheets**

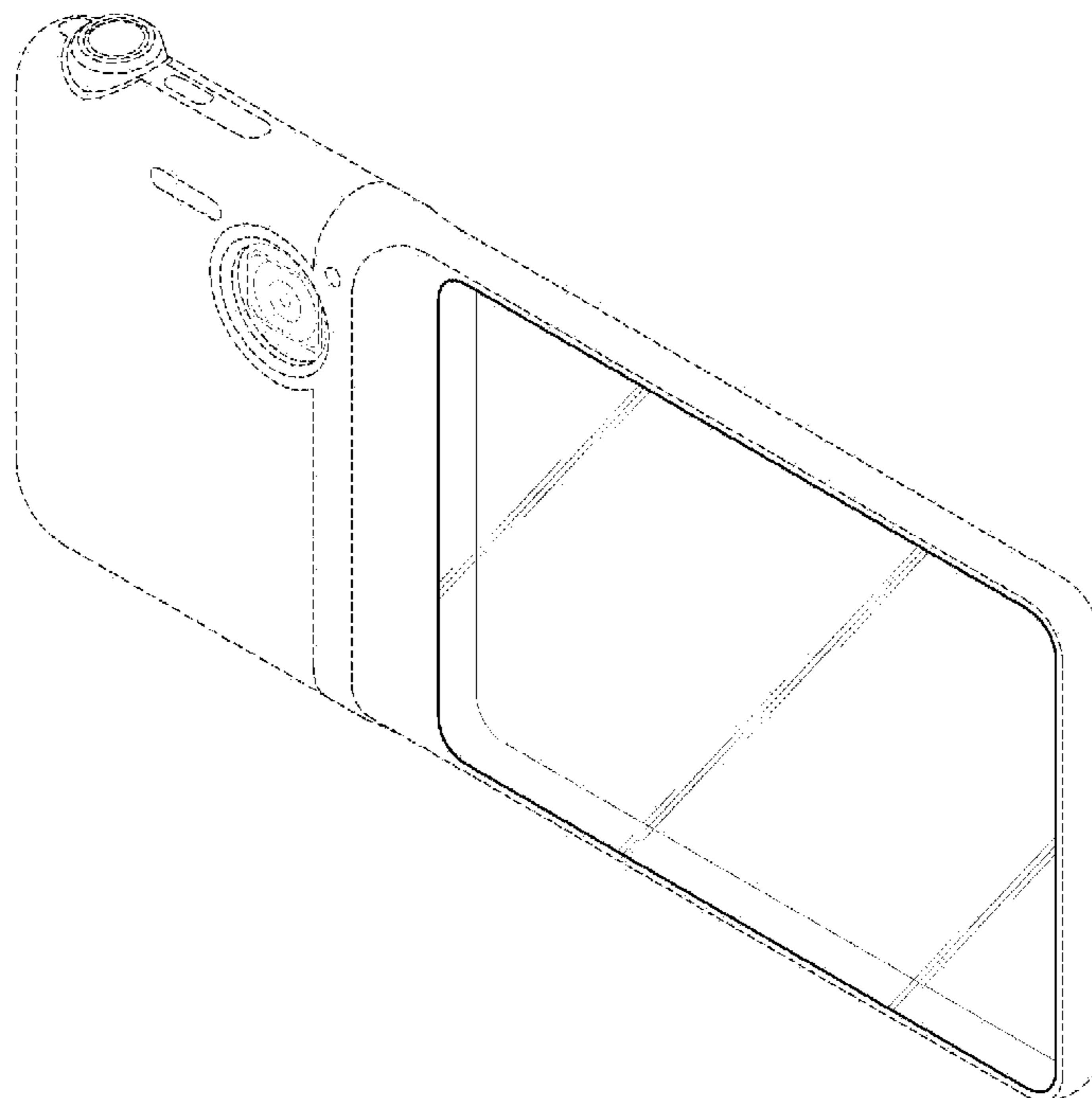


FIG. 1

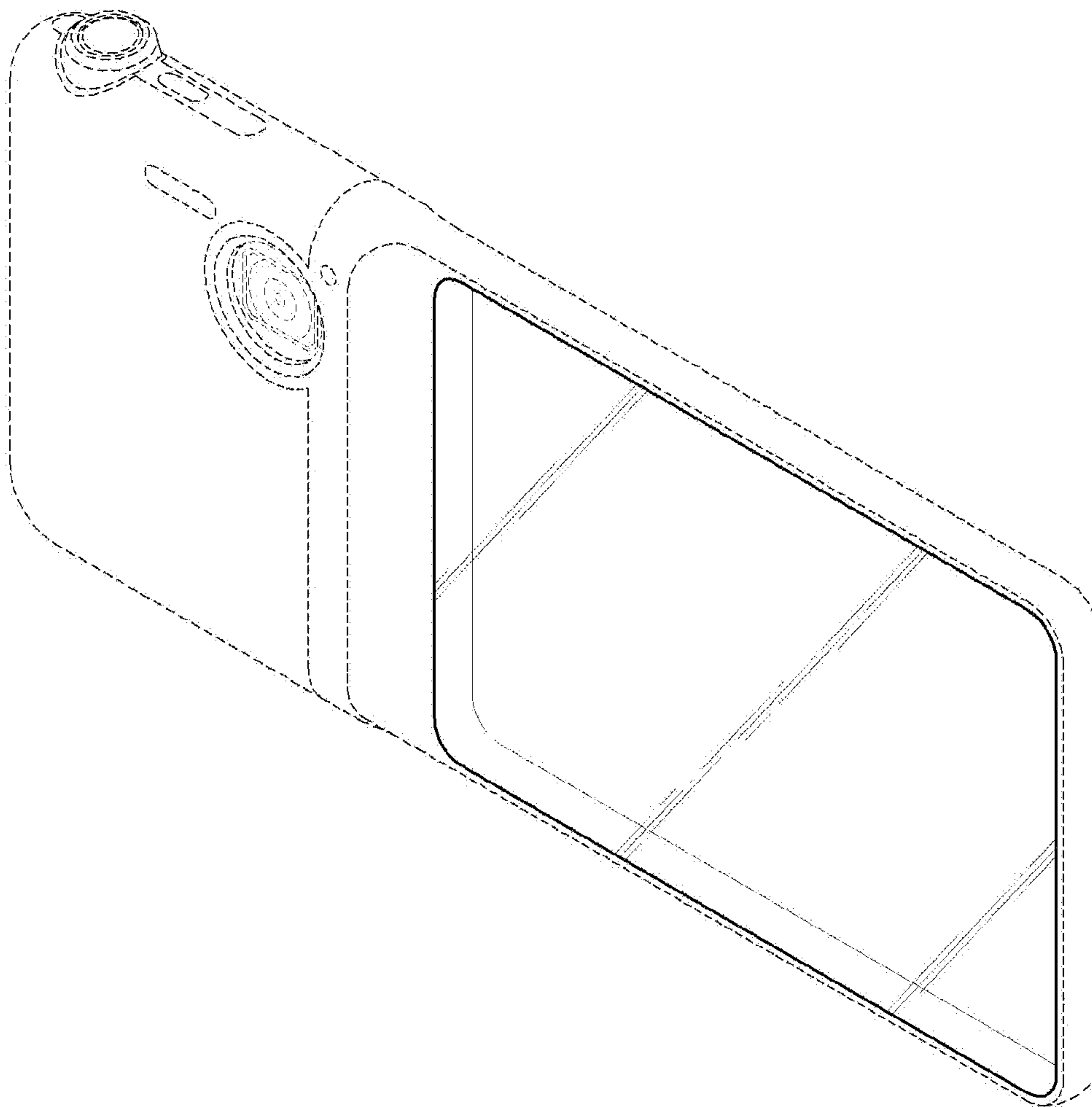


FIG. 2

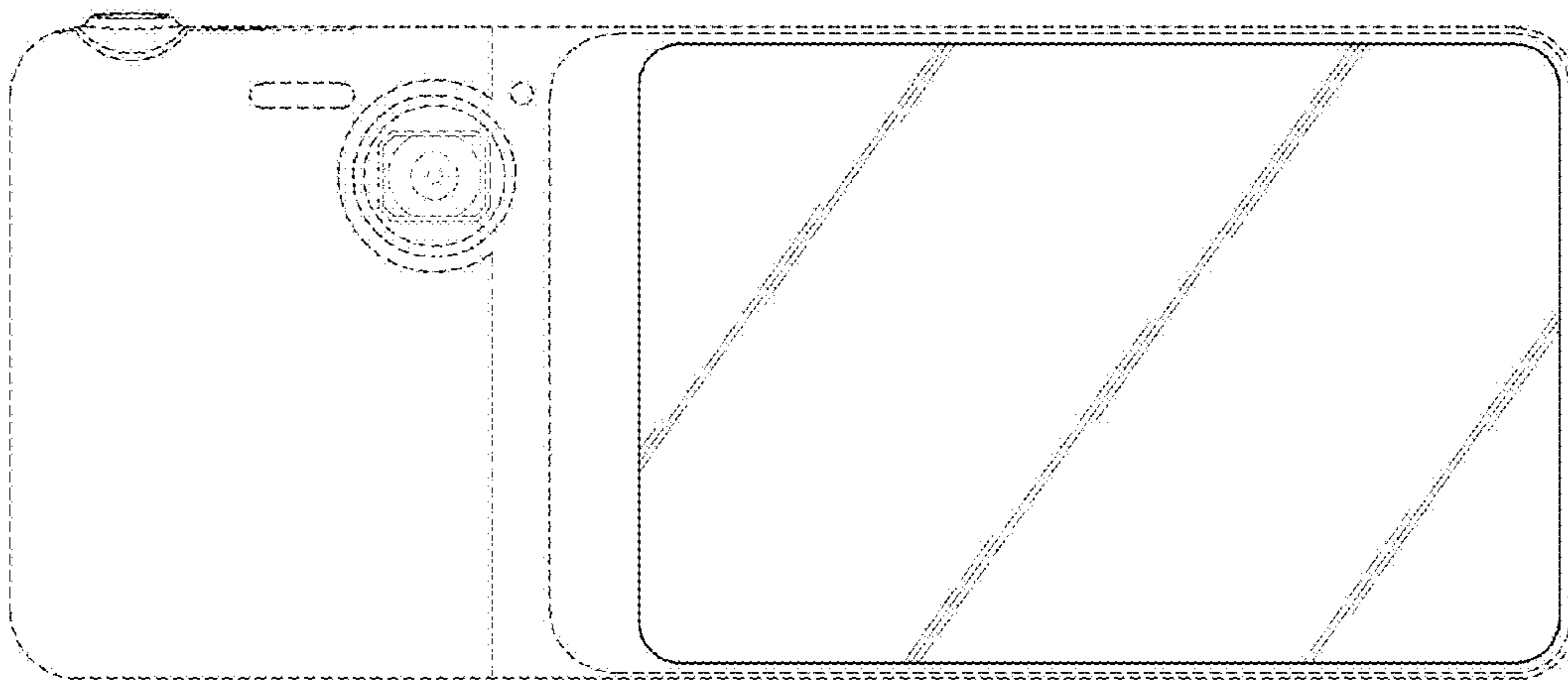


FIG. 3

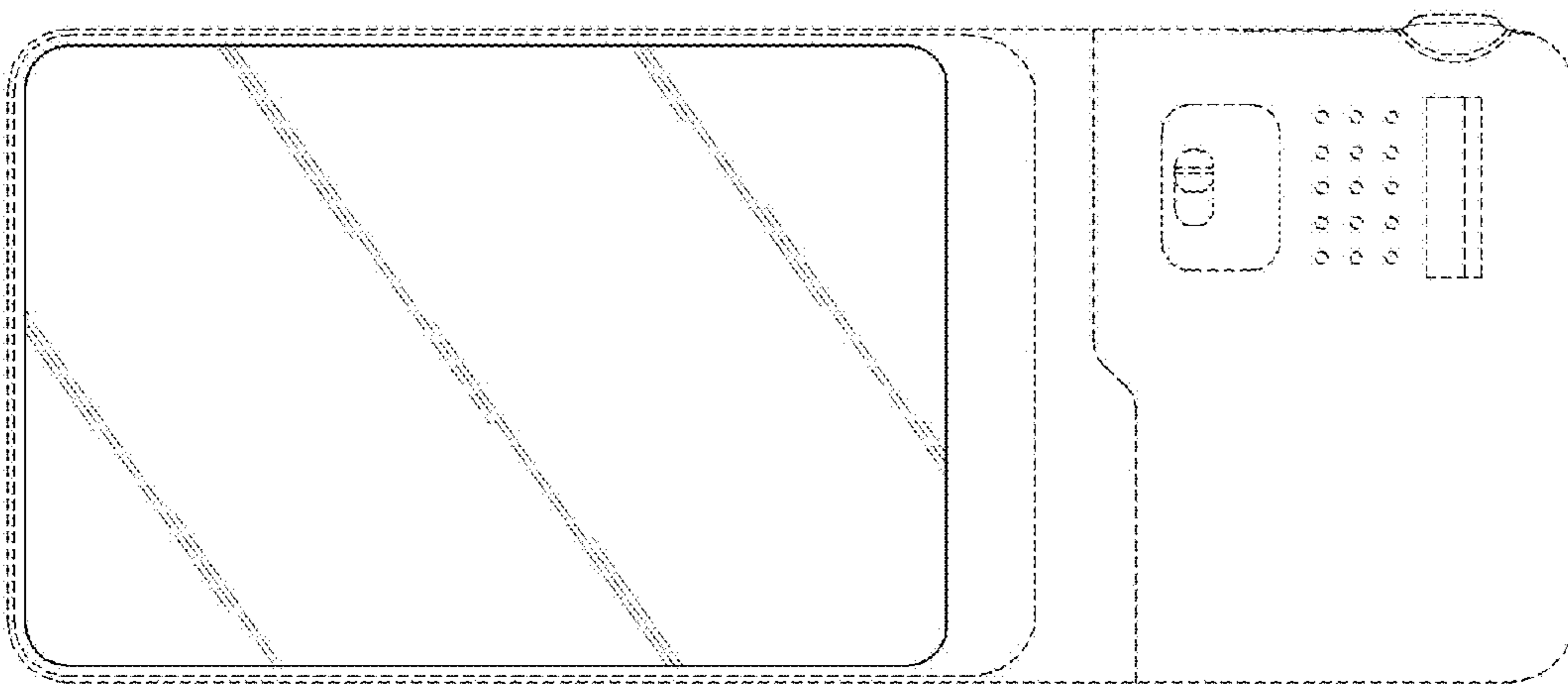


FIG. 4

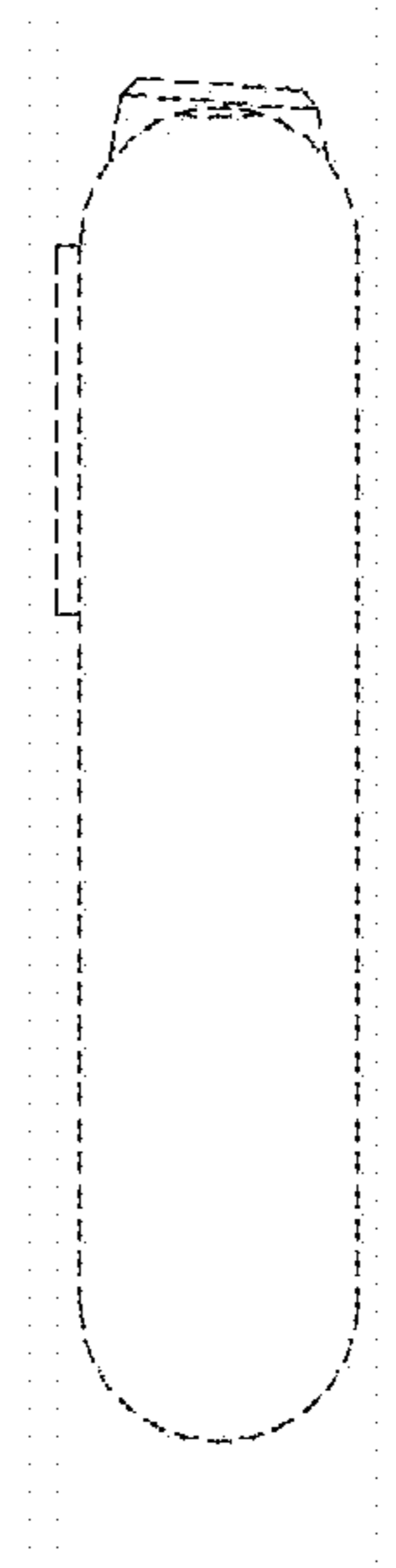


FIG. 5

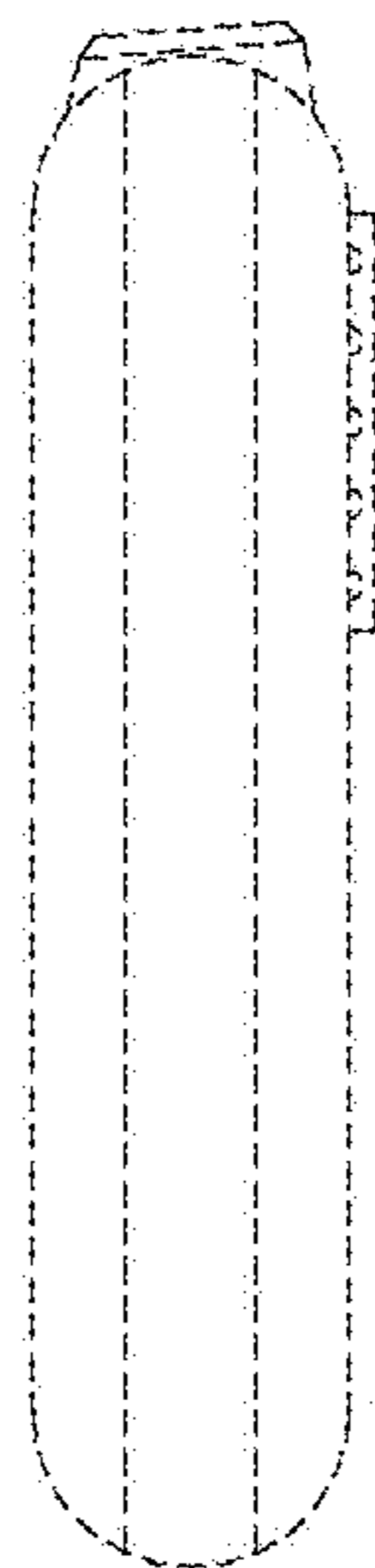


FIG. 6

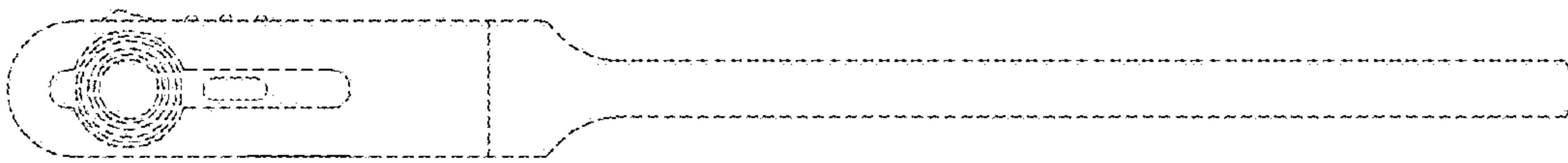


FIG. 7

