



US00D720380S

(12) **United States Design Patent**
Kim et al.

(10) **Patent No.:** **US D720,380 S**

(45) **Date of Patent:** **** Dec. 30, 2014**

(54) **CAMERA**

(71) Applicant: **Samsung Electronics Co., Ltd.**,
Suwon-Si, Gyeonggi-Do (KR)

(72) Inventors: **Joon Ha Kim**, Seoul (KR); **Woohyeok Jeong**, Seoul (KR)

(73) Assignee: **Samsung Electronics Co., Ltd.**,
Gyeonggi-do (KR)

(**) Term: **14 Years**

(21) Appl. No.: **29/456,816**

(22) Filed: **Jun. 4, 2013**

(30) **Foreign Application Priority Data**

Dec. 24, 2012 (KR) 30-2012-0062023

(51) **LOC (10) Cl.** **16-05**

(52) **U.S. Cl.**
USPC **D16/219; D16/202**

(58) **Field of Classification Search**
CPC G03B 15/03; G03B 17/02; G03B 17/04;
G03B 17/56; G03B 19/04; H04N 5/2251;
H04N 5/2252; H04N 5/2253; H04N 5/2254;
H04N 2101/00
USPC D16/200, 202–206, 208, 218, 219;
348/373–376; 396/535, 539–541
See application file for complete search history.

(56) **References Cited**

U.S. PATENT DOCUMENTS

D383,766 S * 9/1997 Yamauchi et al. D16/202
D388,803 S * 1/1998 Shinano D16/202

D389,500 S * 1/1998 Krekelberg D16/202
D463,468 S * 9/2002 Fujita et al. D16/202
D486,843 S * 2/2004 Takahashi D16/202
D502,199 S * 2/2005 Imai D16/202
D506,767 S * 6/2005 Imai D16/202
D627,812 S * 11/2010 Oikawa et al. D16/202
D663,345 S * 7/2012 Tanifuji D16/219
D664,177 S * 7/2012 Oikawa et al. D16/202
D682,335 S * 5/2013 Kim et al. D16/202
2004/0252226 A1 * 12/2004 Chou 348/375
2007/0071438 A1 * 3/2007 Huang et al. 396/535

* cited by examiner

Primary Examiner — Adir Aronovich

Assistant Examiner — Ramzi Almatrahi

(74) *Attorney, Agent, or Firm* — Harness, Dickey & Pierce,
P.L.C.

(57) **CLAIM**

The ornamental design for a camera, as shown and described.

DESCRIPTION

FIG. 1 is a front, right and top perspective view of a camera showing our new design;
FIG. 2 is a front elevational view thereof;
FIG. 3 is a rear elevational view thereof;
FIG. 4 is a left-side elevational view thereof;
FIG. 5 is a right-side elevational view thereof;
FIG. 6 is a top plan view thereof; and,
FIG. 7 is a bottom plan view thereof.
The broken line portions of the design embodied in the camera are shown for illustration only and form no part of the claimed design.

1 Claim, 4 Drawing Sheets

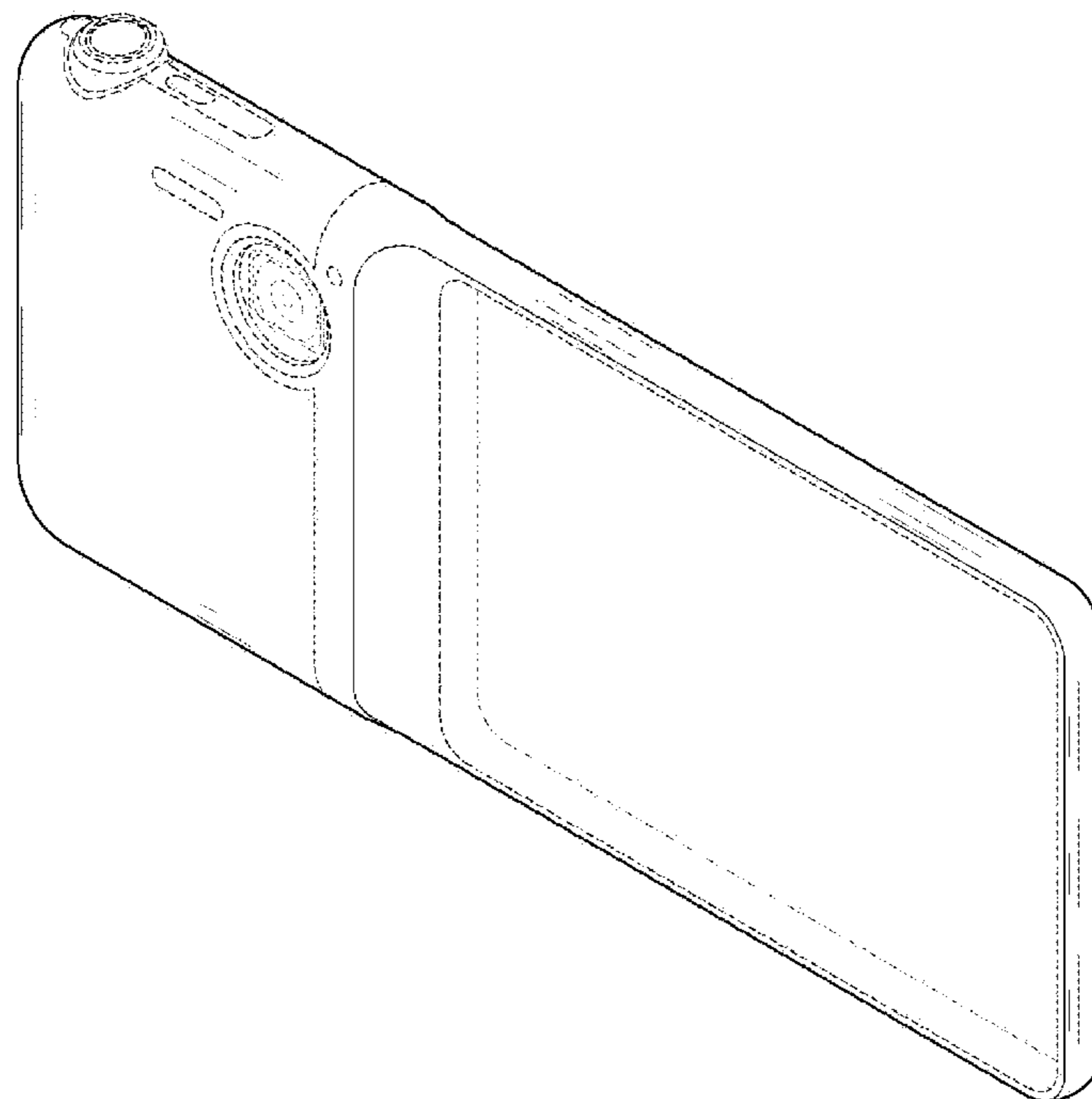


FIG. 1

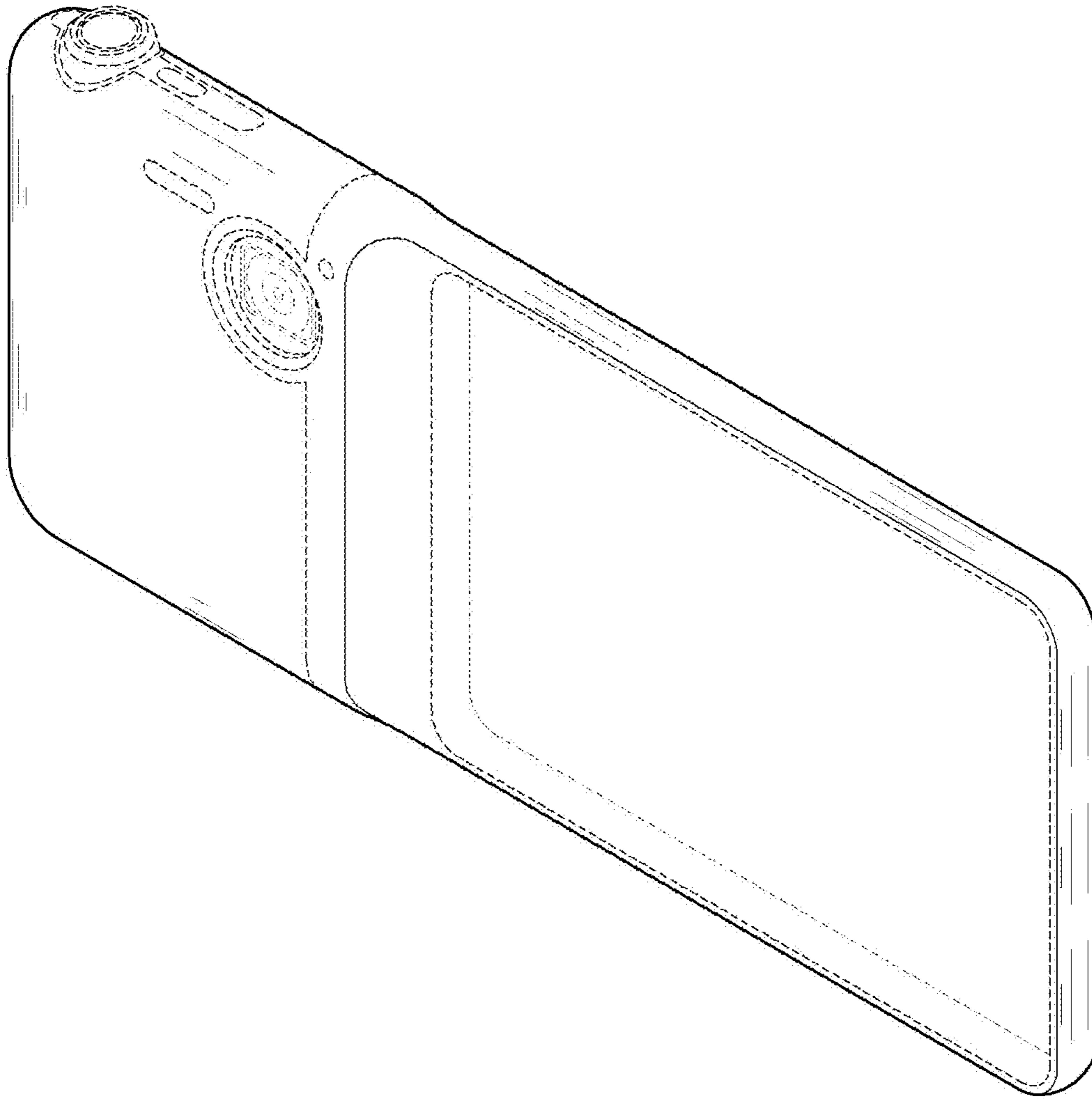


FIG. 2

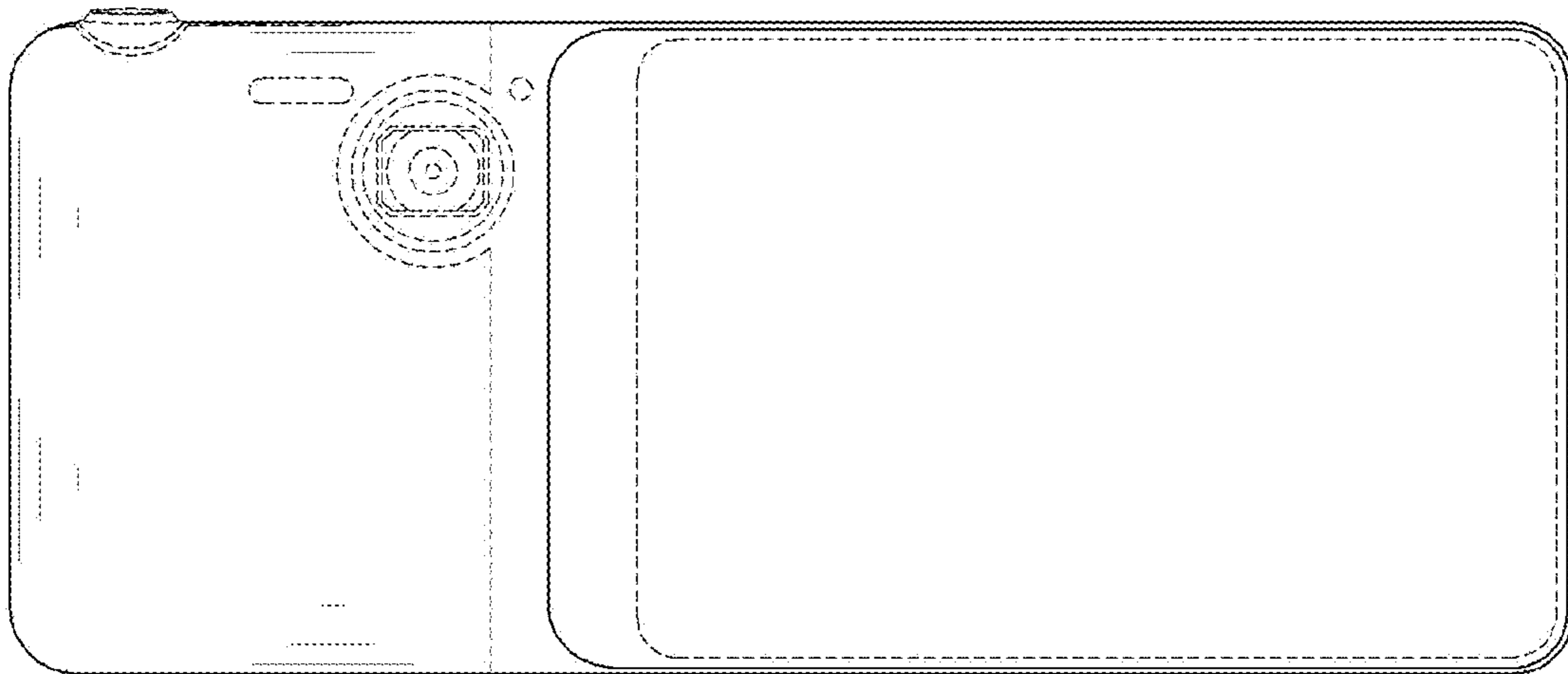


FIG. 3

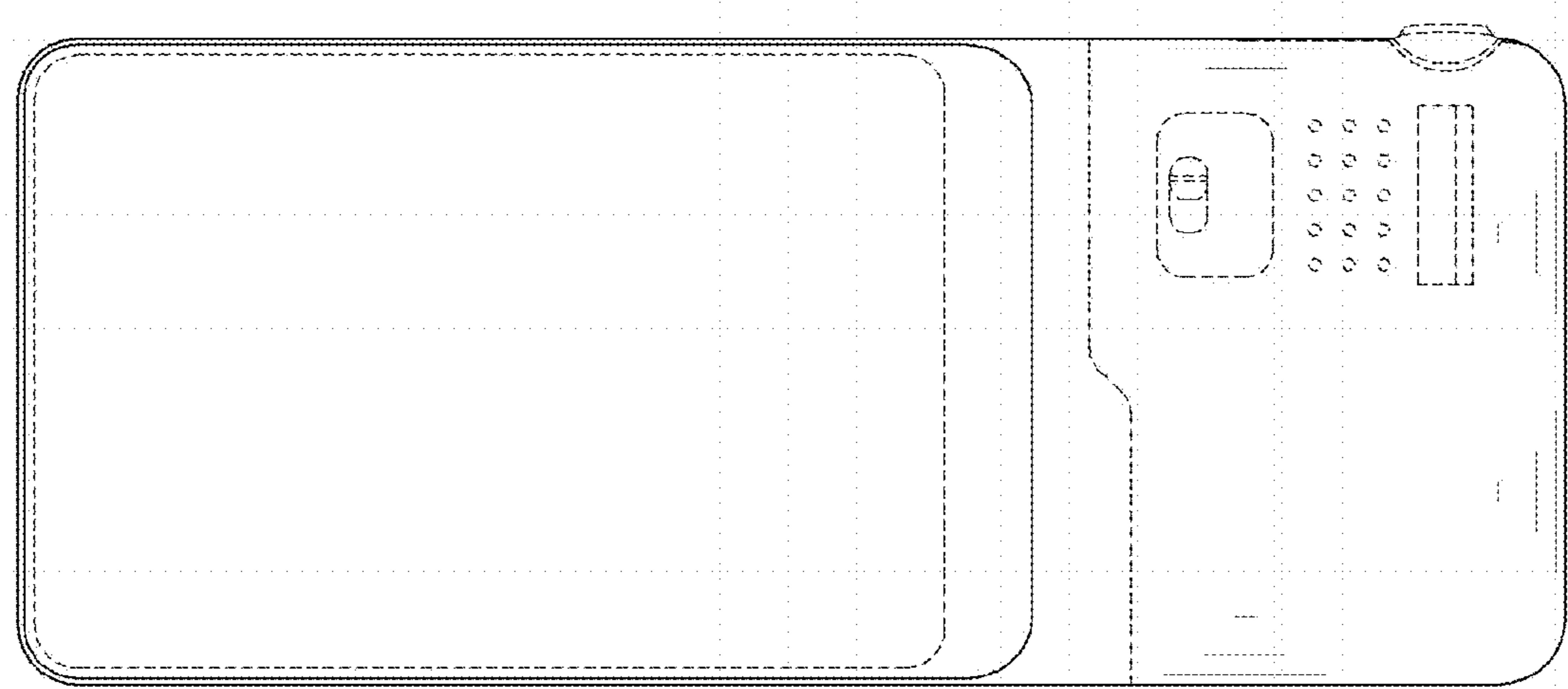


FIG. 4

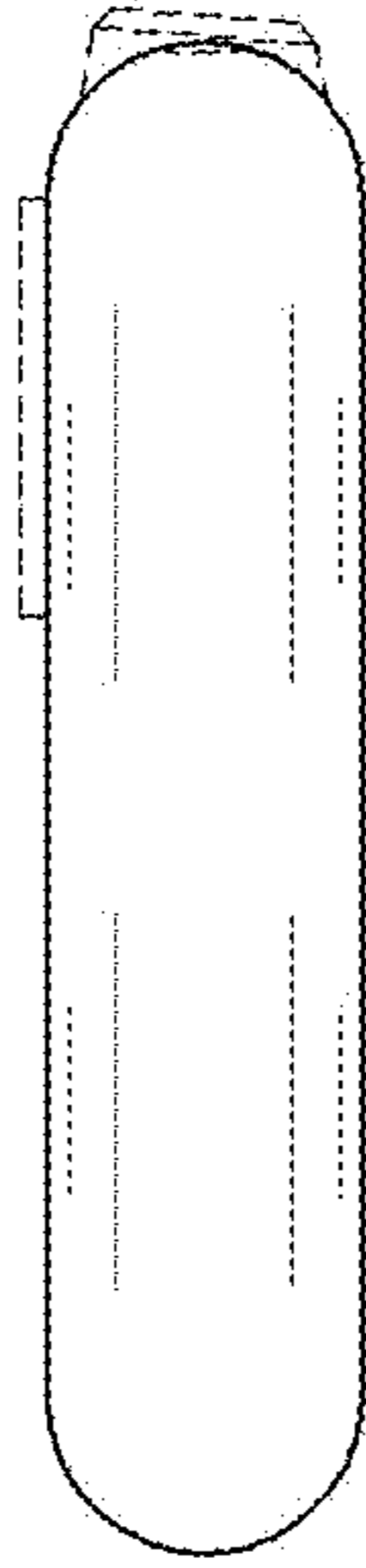


FIG. 5

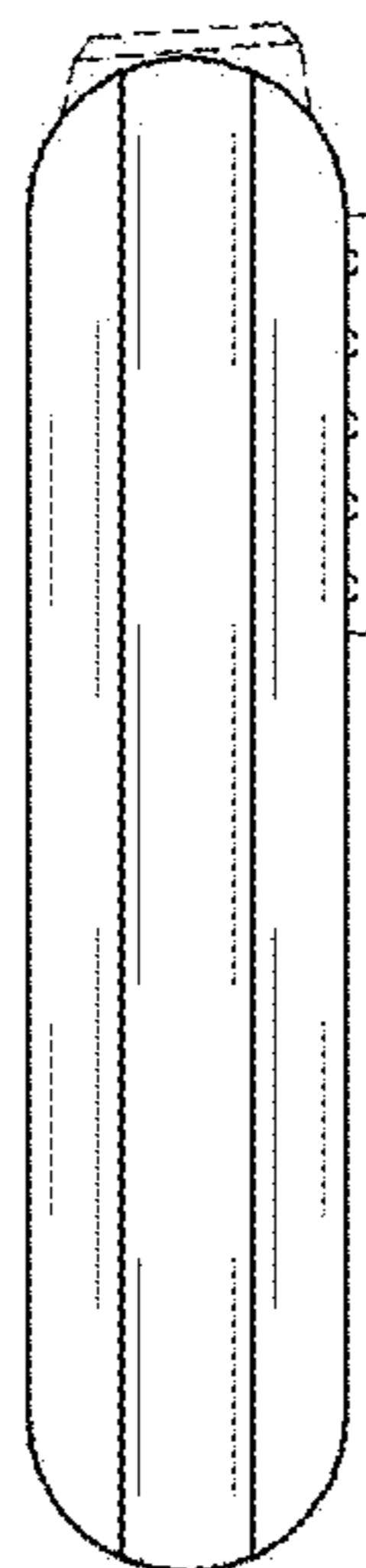


FIG. 6

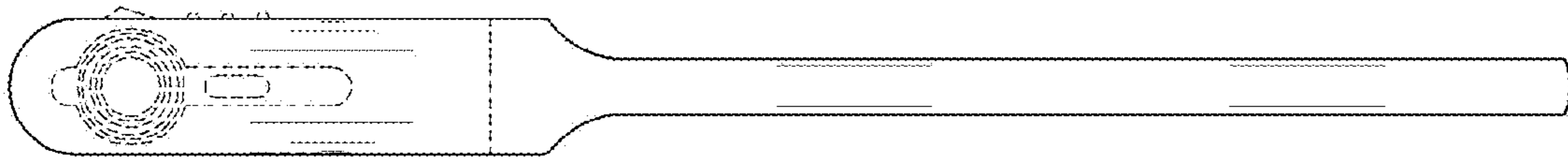


FIG. 7

